



US00D942145S

(12) **United States Design Patent**
Spaziani

(10) **Patent No.:** **US D942,145 S**

(45) **Date of Patent:** **** Feb. 1, 2022**

(54) **HANDBAG**

(71) Applicant: **LOUIS VUITTON MALLETIER**,
Paris (FR)

(72) Inventor: **Darren Spaziani**, New York, NY (US)

(73) Assignee: **Louis Vuitton Malletier**, Paris (FR)

(**) Term: **15 Years**

(21) Appl. No.: **29/688,485**

(22) Filed: **Apr. 22, 2019**

(30) **Foreign Application Priority Data**

Oct. 22, 2018 (FR) 2018-4759

(51) **LOC (13) Cl.** **03-01**

(52) **U.S. Cl.**
USPC **D3/243**

(58) **Field of Classification Search**
USPC D3/232-233, 240-243, 245-246
CPC A45C 1/024; A45C 3/06
See application file for complete search history.

(56) **References Cited**

U.S. PATENT DOCUMENTS

D789,079 S * 6/2017 Michele D3/232
D794,326 S * 8/2017 Nair D3/243

D798,046 S * 9/2017 Michele D3/232
D803,554 S * 11/2017 Maier D3/243
D803,555 S * 11/2017 Maier D3/243
D804,170 S * 12/2017 Maier D3/243
D813,533 S * 3/2018 de Haan D3/243
D832,573 S * 11/2018 Nair D3/243
D858,094 S * 9/2019 Gombert-Duclos D3/243

* cited by examiner

Primary Examiner — Holly H Baynham

(74) *Attorney, Agent, or Firm* — Fross Zelnick Lehrman
& Zissu, P.C.; Charles T. J. Weigell, Esq.

(57) **CLAIM**

The ornamental design for a handbag, as shown and described.

DESCRIPTION

FIG. 1 is a front perspective view of a handbag showing my new design;
FIG. 2 is a front view thereof;
FIG. 3 is a back view thereof;
FIG. 4 is a left side view thereof;
FIG. 5 is a right side view thereof;
FIG. 6 is a top view thereof; and,
FIG. 7 is a bottom view thereof.

The broken lines in the drawings illustrate portions of the handbag that form no part of the claimed design.

1 Claim, 5 Drawing Sheets





FIG. 1



FIG. 2



FIG. 3

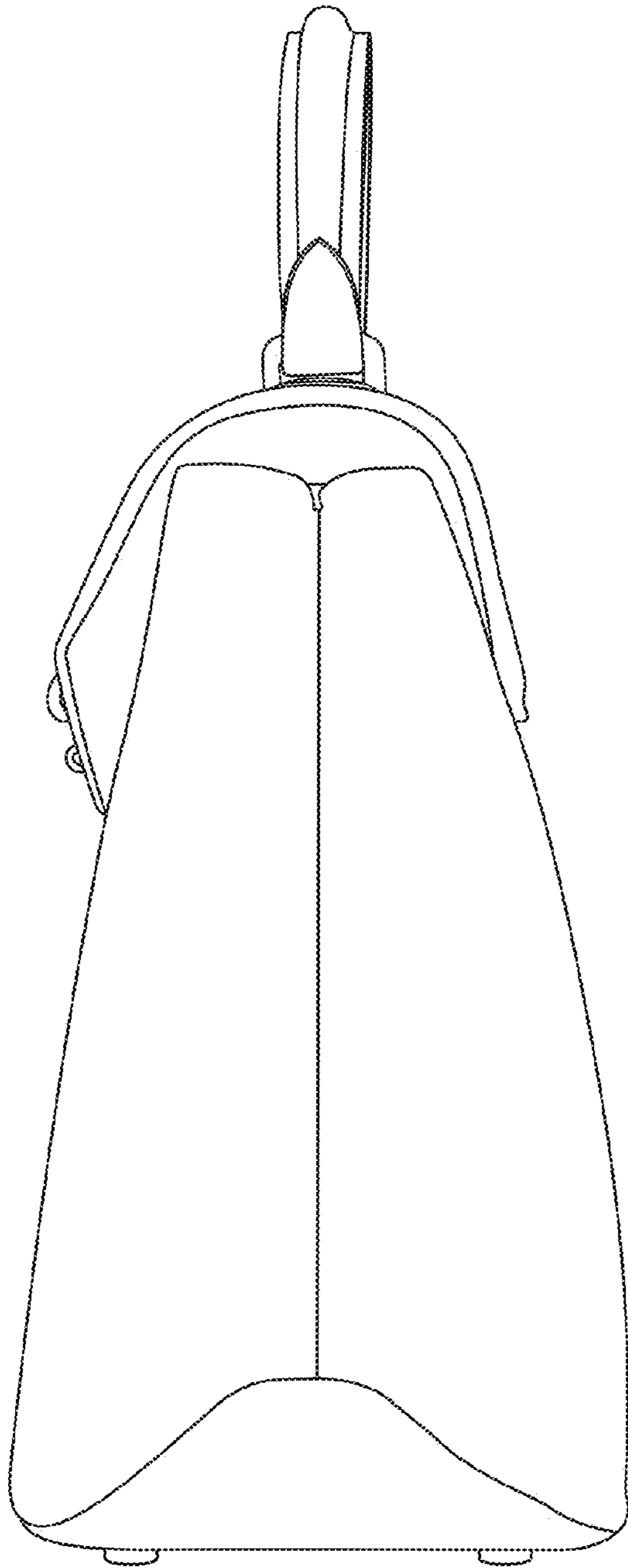


FIG. 4

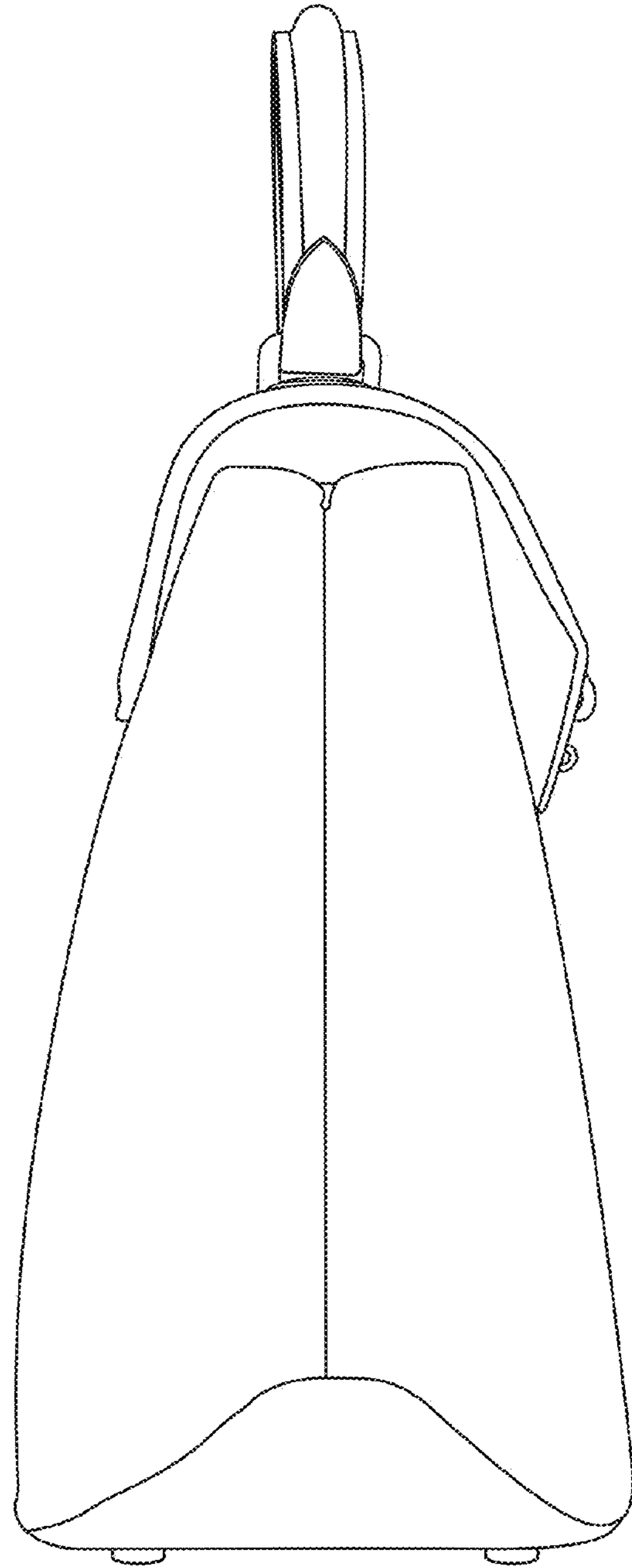


FIG. 5

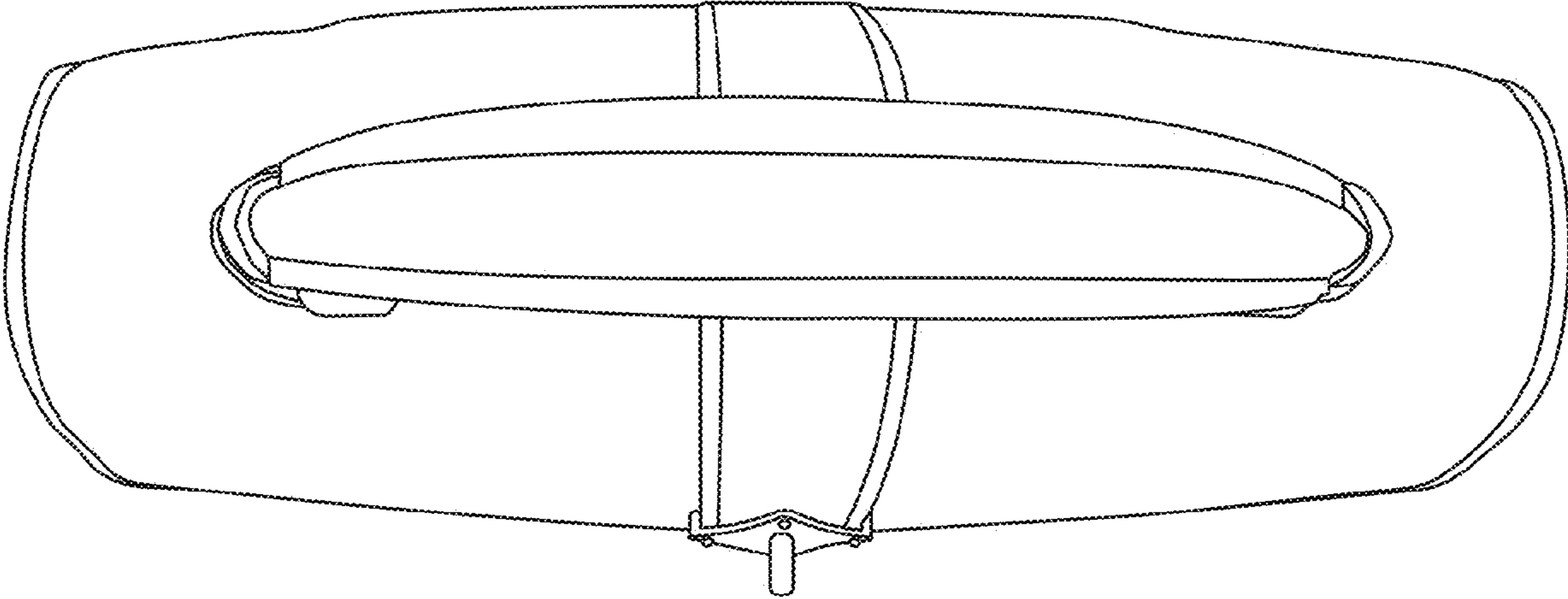


FIG. 6

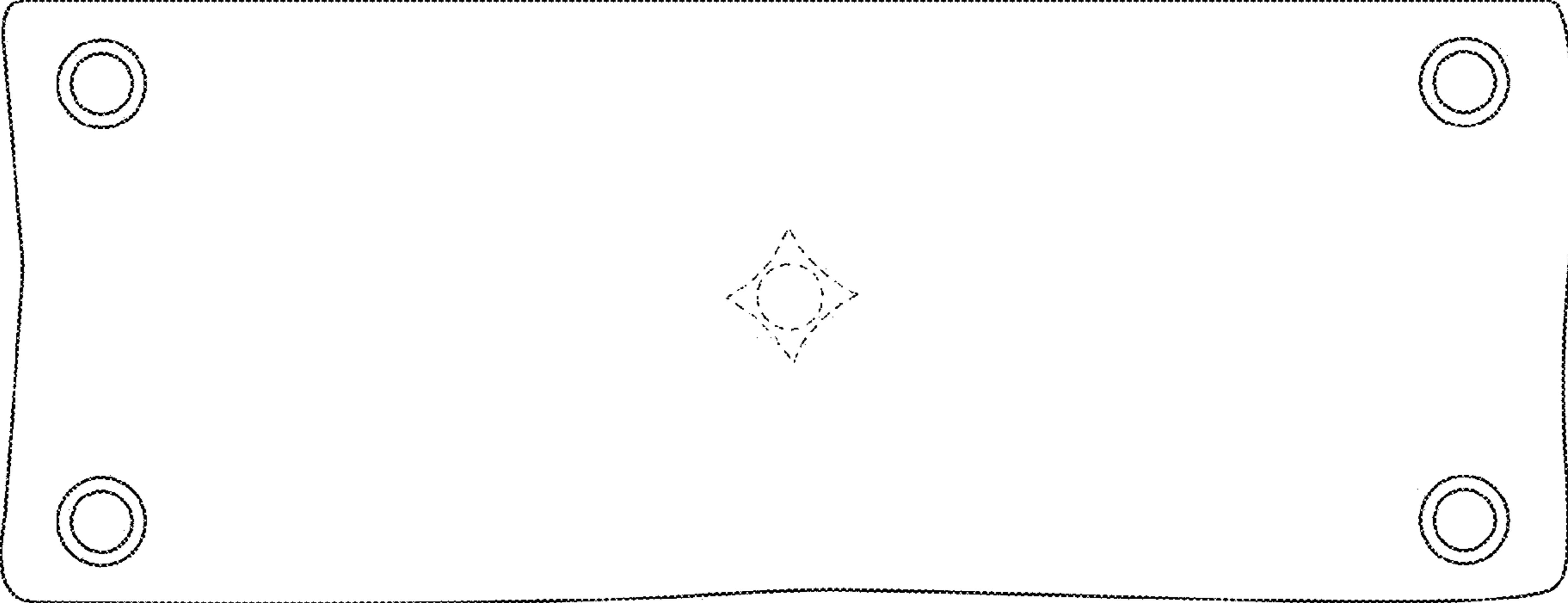


FIG. 7