

US00D942144S

(12) **United States Design Patent** (10) **Patent No.:** **US D942,144 S**
Abloh et al. (45) **Date of Patent:** **** Feb. 1, 2022**

(54) **PHONE BAG**

D669,265 S * 10/2012 Pent D3/243
D690,098 S * 9/2013 Murchison D3/232
8,567,460 B1 * 10/2013 Lentsch A45C 11/182
150/147

(71) Applicant: **OFF-WHITE, LLC**, New York, NY
(US)

(Continued)

(72) Inventors: **Virgil Abloh**, New York, NY (US);
Maria Giulia Migliore, Milan (IT)

FOREIGN PATENT DOCUMENTS

(73) Assignee: **OFF-WHITE, LLC**, New York, NY
(US)

EM 008281877-0001 * 11/2020
GB 9008281877-0001 * 11/2020

(**) Term: **15 Years**

OTHER PUBLICATIONS

(21) Appl. No.: **29/752,212**

“Off-White Hands Logo Lanyard Cardholder In Black”, first seen
Jan. 2021, modesens.com, site visited Oct. 13, 2021: <https://modesens.com/product/off-white-hands-logo-lanyard-cardholder-black-27663333/>
(Year: 2021).*

(22) Filed: **Sep. 25, 2020**

(Continued)

(51) **LOC (13) Cl.** **03-01**

(52) **U.S. Cl.**
USPC **D3/232**; D3/218

(58) **Field of Classification Search**
USPC D3/218, 232–234, 238, 243–249, 303;
D14/250–253

CPC . H04B 1/3888; A45C 11/00; A45C 2011/002;
A45C 13/002; B65D 33/01

See application file for complete search history.

Primary Examiner — Jennifer L Watkins
Assistant Examiner — Samantha Lynne Brodowski
(74) *Attorney, Agent, or Firm* — Epstein Drangel LLP;
Robert L. Epstein

(57) **CLAIM**

The ornamental design for a phone bag, substantially as
shown and described.

DESCRIPTION

(56) **References Cited**

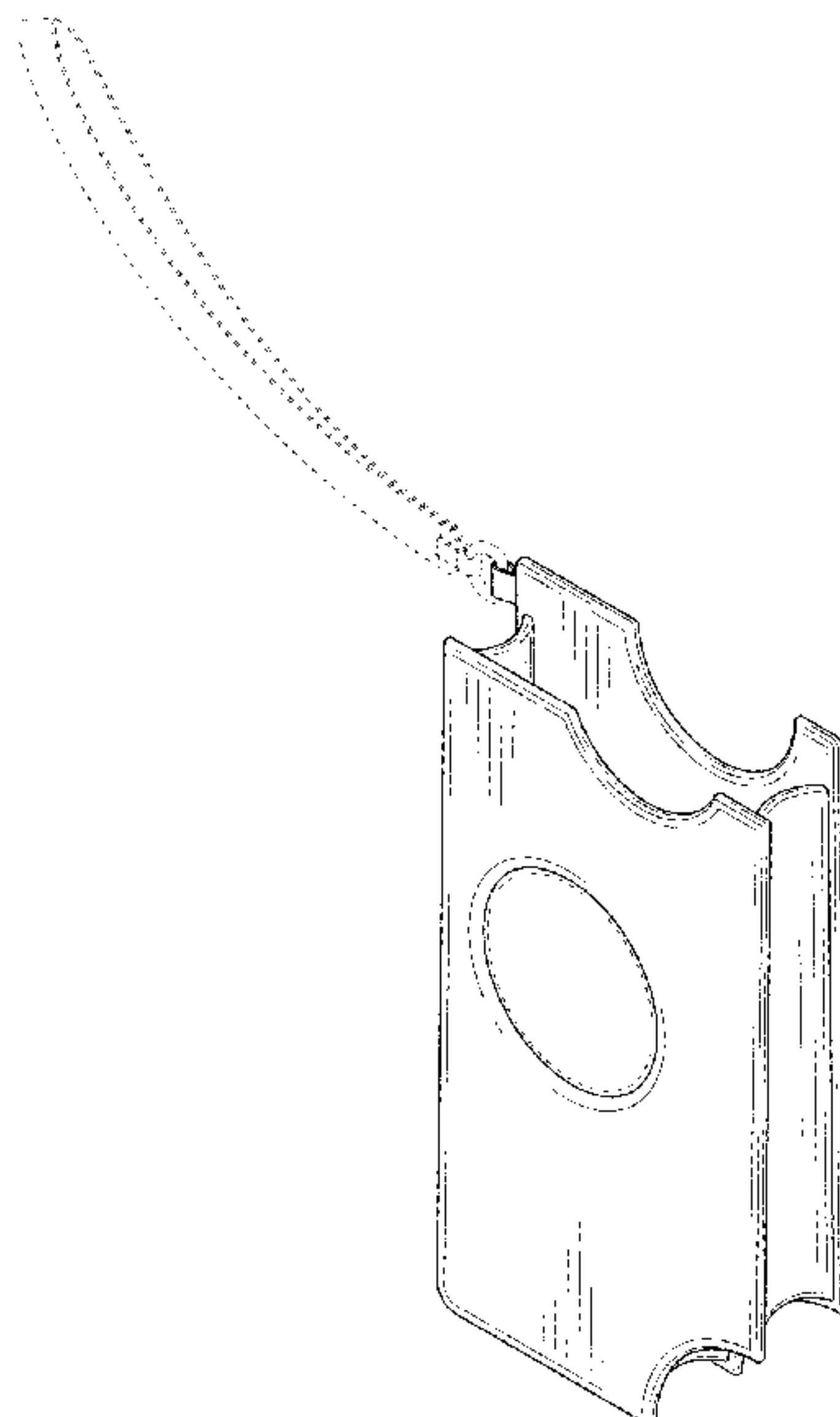
U.S. PATENT DOCUMENTS

2,810,418 A * 10/1957 Aschkenasy A45C 1/08
150/150
D334,838 S * 4/1993 Muse D3/246
5,409,153 A * 4/1995 Ristich A45C 1/04
150/112
D370,562 S * 6/1996 Arini D21/479
D372,358 S * 8/1996 Mathison D11/78.1
D403,151 S * 12/1998 Heredos-Formby D3/246
D404,203 S * 1/1999 Maier-Aichen D3/303
D496,158 S * 9/2004 Gilad D3/232
D557,494 S * 12/2007 Mayette D3/218
D632,076 S * 2/2011 Westrick D3/247

FIG. 1 is an isometric view of the phone bag showing the
top, front and right side thereof;
FIG. 2 is an isometric view of the phone bag showing the
bottom, rear, and right side thereof;
FIG. 3 is a front elevation view thereof;
FIG. 4 is a rear elevation view thereof;
FIG. 5 is an elevation view of the left side thereof;
FIG. 6 is an elevation view of the right side thereof;
FIG. 7 is a top plan view thereof; and,
FIG. 8 is a bottom plan view thereof.

The portions in the figures which are shown in broken lines
are intended to show the environment in which the phone
bag is used and do not form a part of the claimed design.

1 Claim, 6 Drawing Sheets



(56)

References Cited

U.S. PATENT DOCUMENTS

D723,022	S *	2/2015	Miles	D14/253
D751,289	S *	3/2016	Gluck	D3/247
D756,650	S *	5/2016	Sweeney	D3/303
D764,166	S *	8/2016	Kuwakubo	D3/246
D783,587	S *	4/2017	Kim	D14/250
D787,817	S *	5/2017	Lee	D3/232
D887,132	S *	6/2020	Puglisi	D3/249
D901,173	S *	11/2020	Mezzalira	D3/246
D925,218	S *	7/2021	Abloh	D3/243
2008/0053852	A1 *	3/2008	Ko	A45C 11/00 206/320
2012/0186709	A1 *	7/2012	Mulaw	A45C 11/32 150/106

OTHER PUBLICATIONS

“Off-White Phone Bag”, hbx.com, site visited Oct. 13, 2021:
[* cited by examiner](https://hbx.com/women/brands/off-white/phone-bag-fuchsia?catalog_country=JP&utm_term=&utm_campaign=JP+-+Smart+Shopping+Campaign&utm_source=adwords&utm_medium=ppc&hsa_acc=5625887389&hsa_cam=2067127898&hsa_grp=78904626680&hsa_ad=367642182451&hsa_src=u&hsa_tgt=pla-295283350790&hsa_kw=&hsa_mt=&hsa_net=adwords&hsa_ver=3&gclid=EAlalQobChMkteQu4XI8wIVOQilCR0pzwEeEAQYAiABEgJ2bfD_BwE (Year: 2021).”*</p>
</div>
<div data-bbox=)

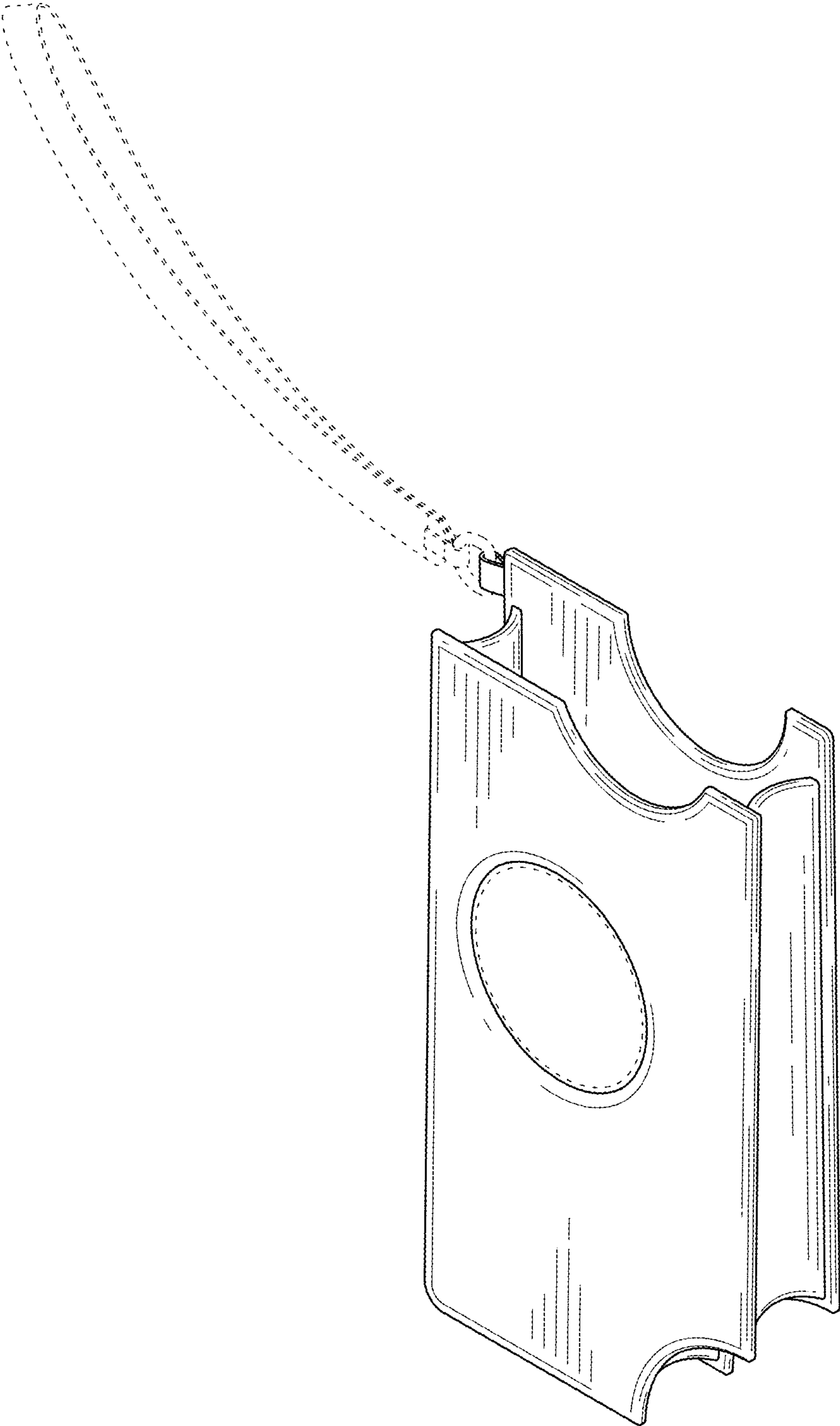


FIG. 1

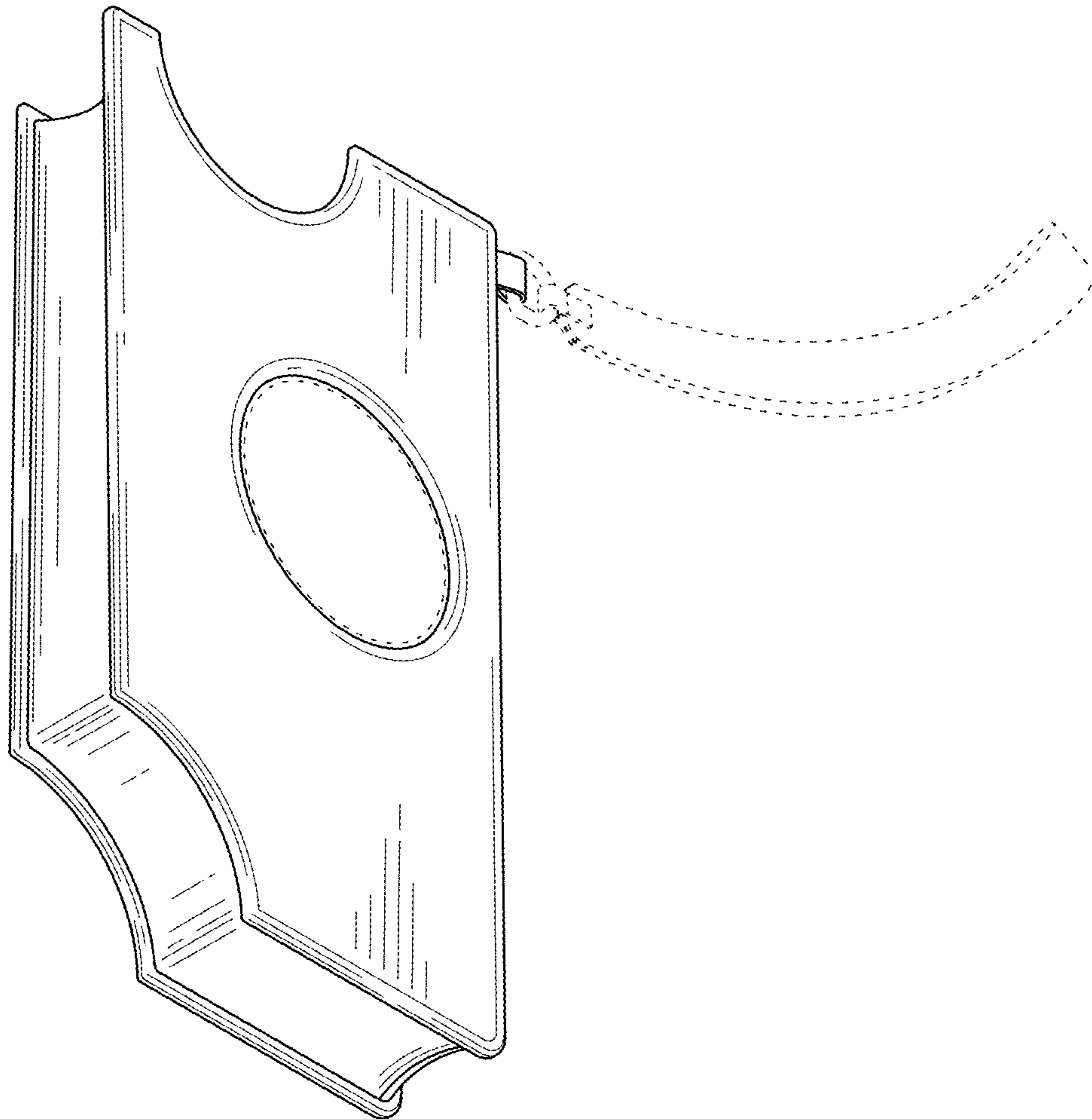


FIG. 2

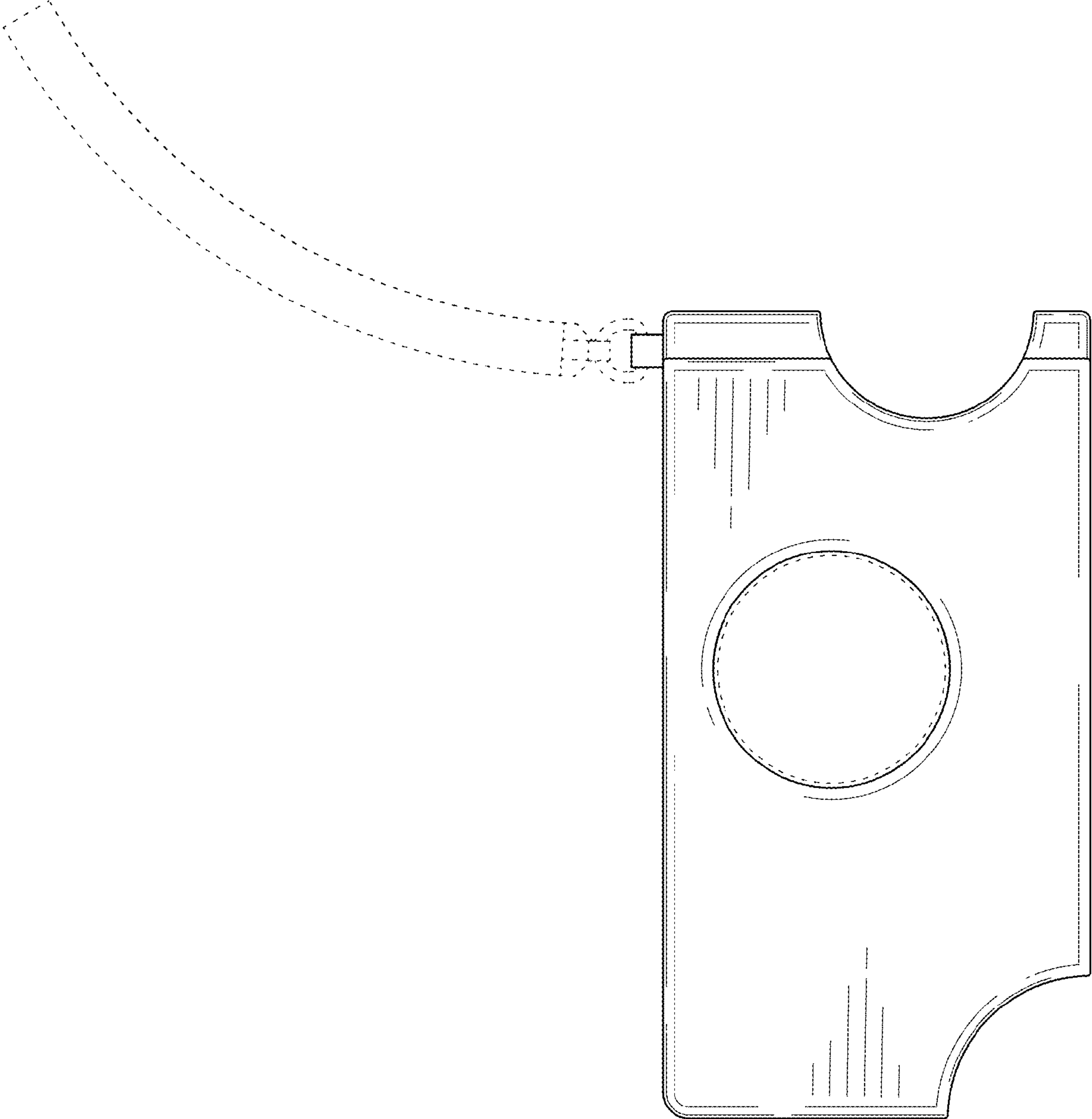


FIG. 3

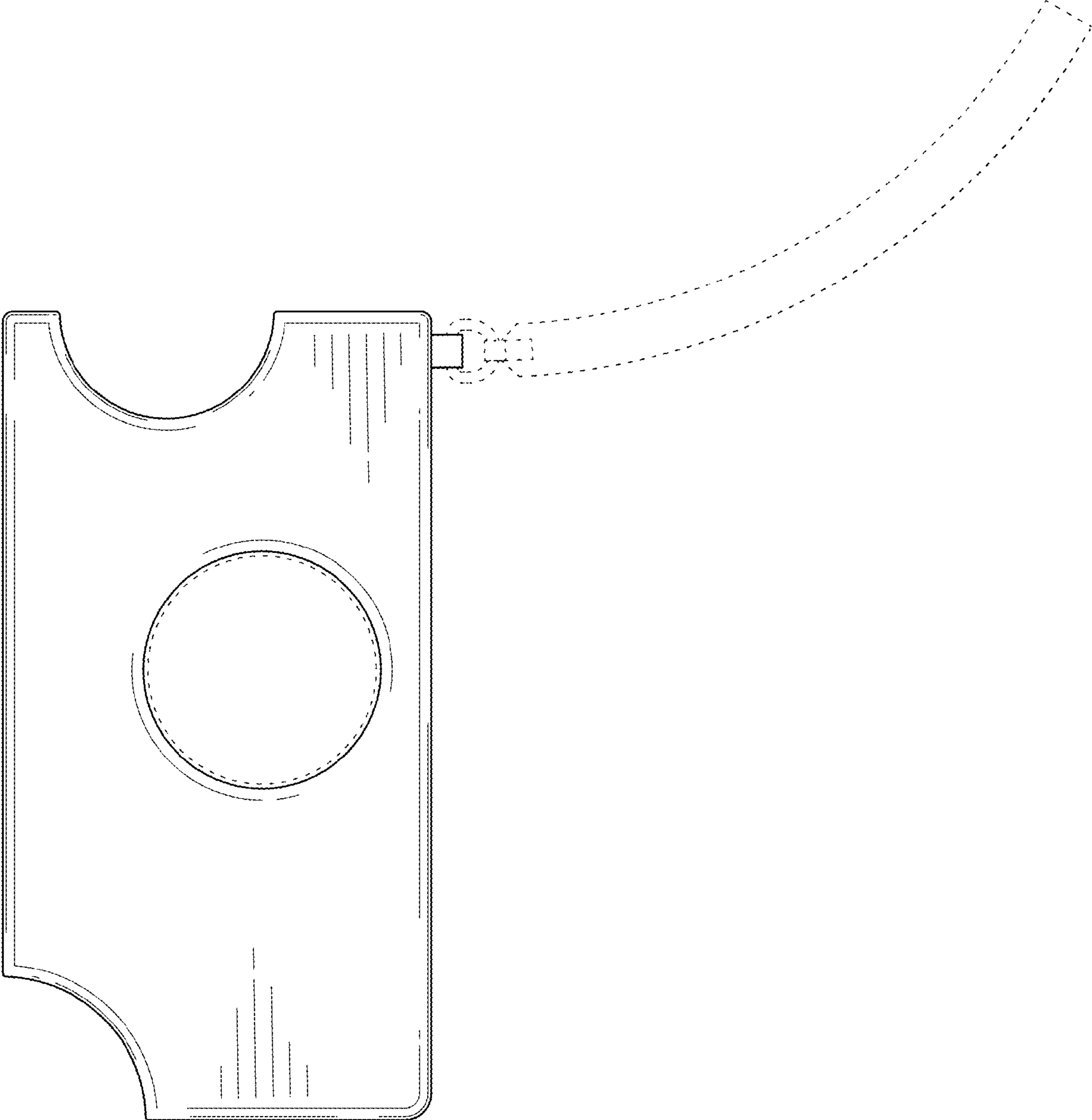


FIG. 4

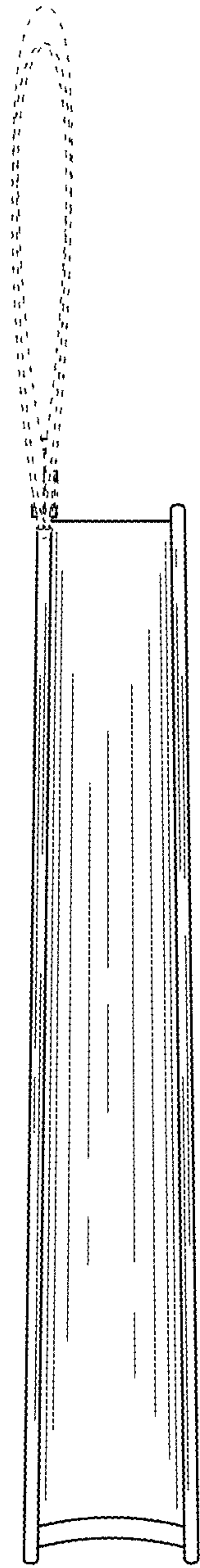


FIG. 5

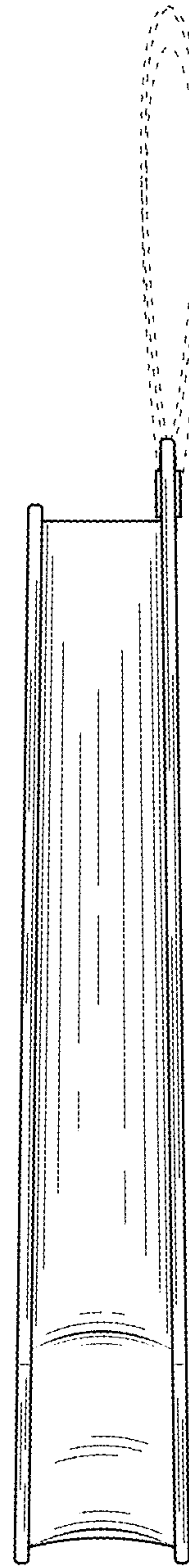


FIG. 6

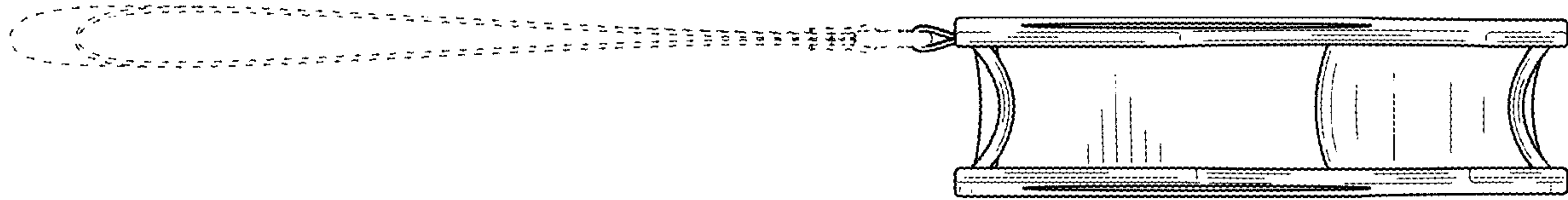


FIG. 7

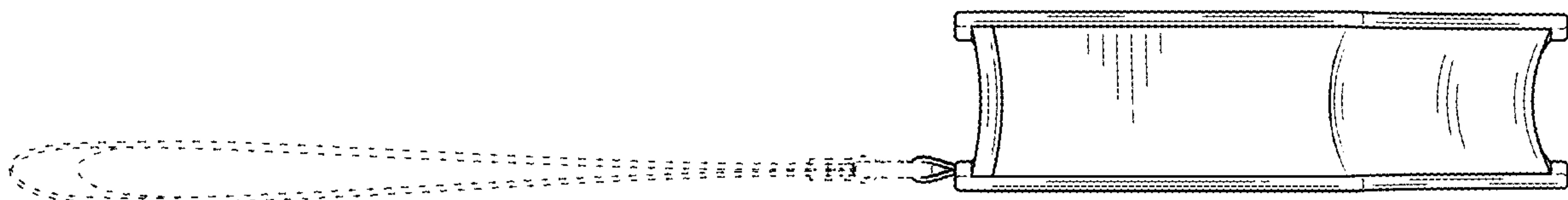


FIG. 8