



US00D942141S

(12) **United States Design Patent** (10) **Patent No.:** **US D942,141 S**
Wang (45) **Date of Patent:** **** Feb. 1, 2022**

(54) **BACKPACK**

(71) Applicant: **RUNWAVE INC**, Brighton, CO (US)
(72) Inventor: **Tao Wang**, Weihai (CN)
(73) Assignee: **RUNWAVE INC**, Brighton, CO (US)
(**) Term: **15 Years**

(21) Appl. No.: **29/770,003**
(22) Filed: **Feb. 9, 2021**
(51) **LOC (13) Cl.** **03-01**
(52) **U.S. Cl.**
USPC **D3/217**
(58) **Field of Classification Search**
USPC D3/216, 217, 204, 279, 287, 289
See application file for complete search history.

(56) **References Cited**

U.S. PATENT DOCUMENTS

D660,585	S *	5/2012	McDonald	D3/217
D781,049	S	3/2017	Kemp et al.		
D819,327	S *	6/2018	Jusic	D3/217
D825,177	S	8/2018	Pang		
D828,016	S *	9/2018	Gillespie	D3/217
D834,818	S *	12/2018	Freitag	D3/279
D881,571	S *	4/2020	Wang	D3/289
D897,102	S *	9/2020	Seiders	D3/289
2016/0206061	A1 *	7/2016	Ford	A45C 7/0059
2021/0212442	A1 *	7/2021	Webb	A45C 3/00

OTHER PUBLICATIONS

Review: Funwave Kohala ISUP on Yuen.com, posted Nov. 6, 2020, viewed online Dec. 15, 2021. Available at URL: <https://www.yuex.com/2020/review-runwave-kohala-stand-up-paddle-board-isup/>.*

* cited by examiner

Primary Examiner — Jennifer L Watkins

(57) **CLAIM**

The ornamental design for a backpack, as shown and described.

DESCRIPTION

FIG. 1 is a perspective view of a backpack showing my new design;
FIG. 2 is another perspective view thereof;
FIG. 3 is a front elevational view thereof;
FIG. 4 is a rear elevational view thereof;
FIG. 5 is a left side elevational view thereof;
FIG. 6 is a right side elevational view thereof;
FIG. 7 is a top plan view thereof; and,
FIG. 8 is a bottom plan view thereof.
The broken lines in the drawings depict portions of the backpack that form no part of the claimed design.

1 Claim, 8 Drawing Sheets



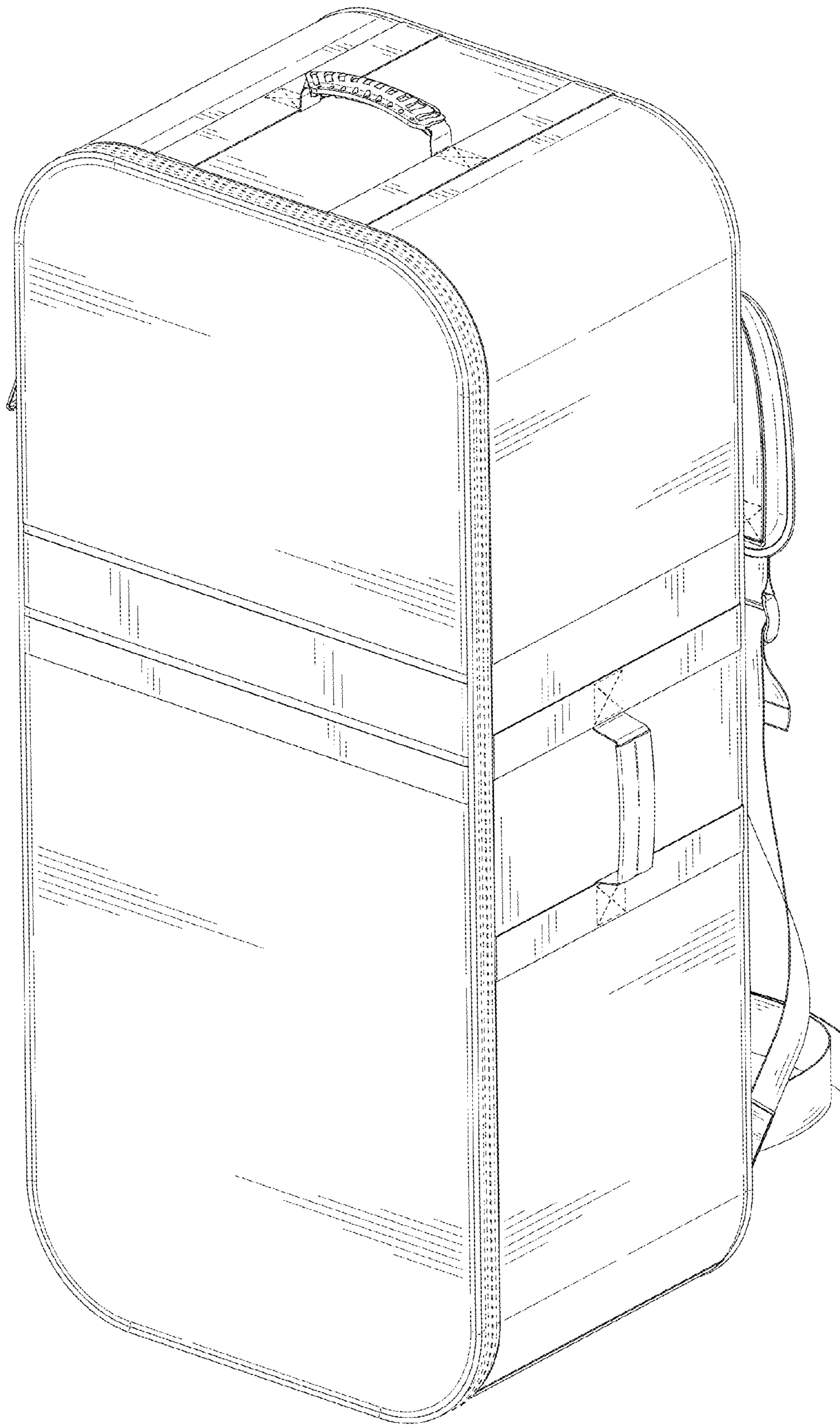


FIG. 1

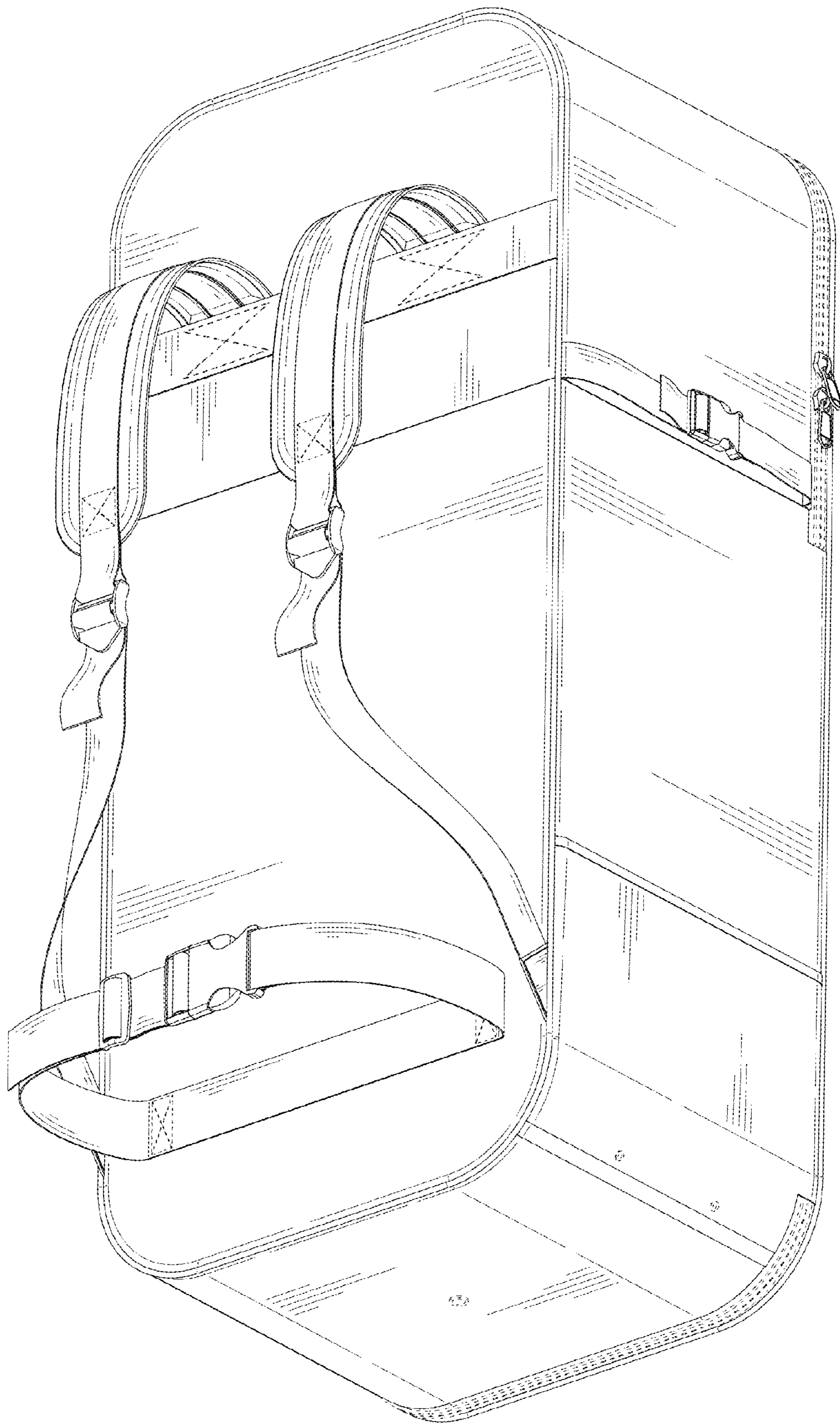


FIG. 2

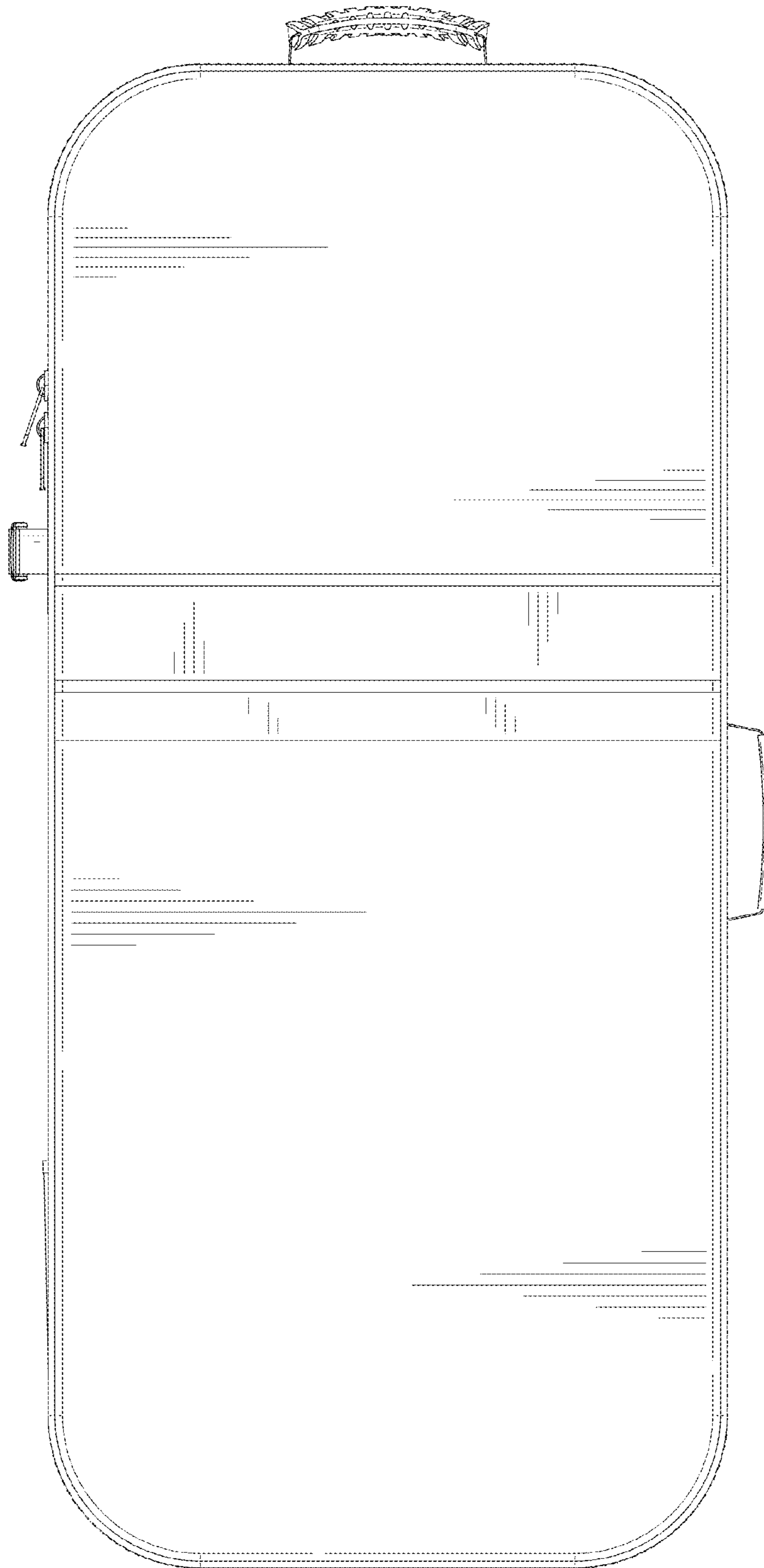


FIG. 3

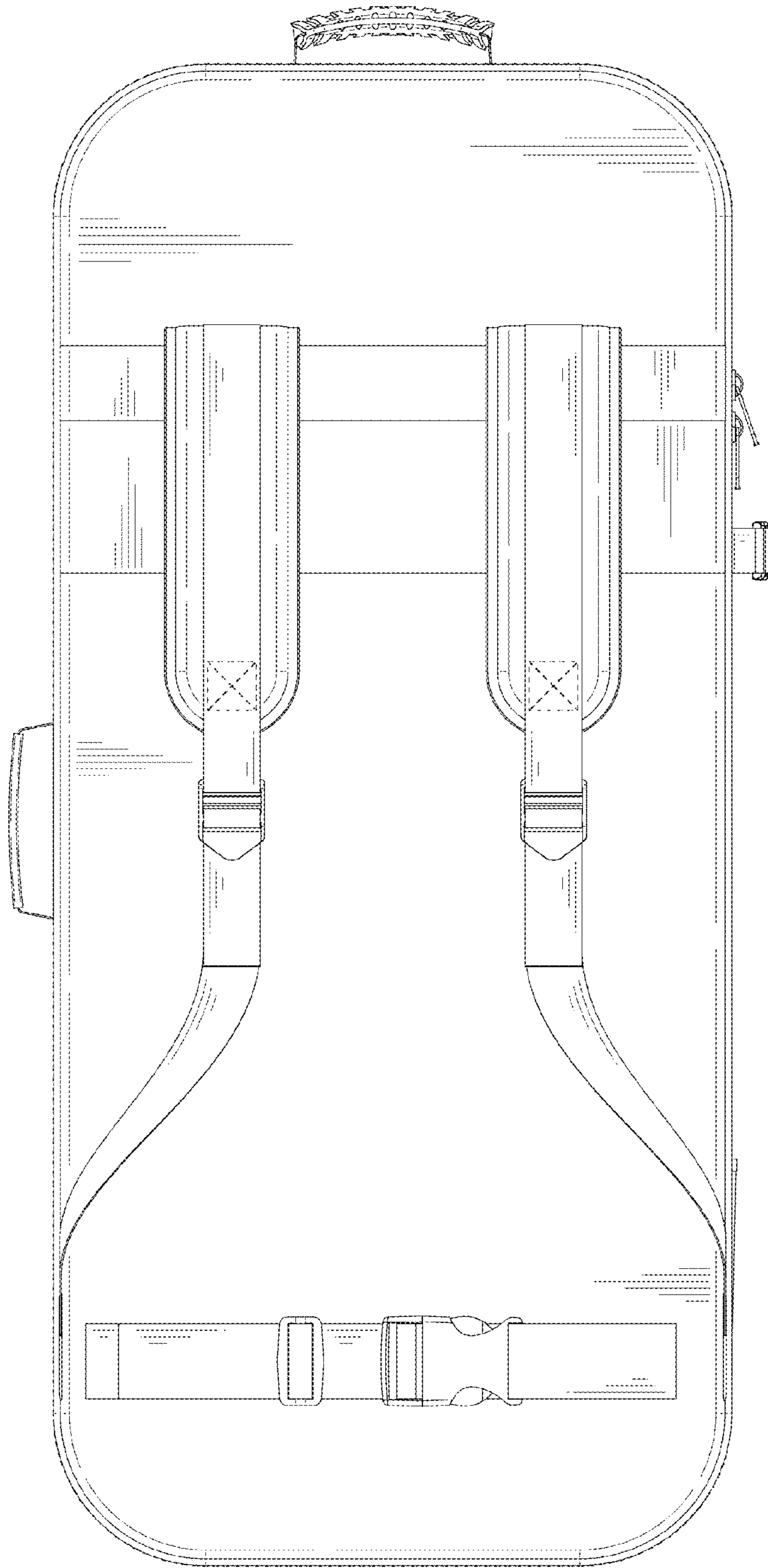


FIG. 4

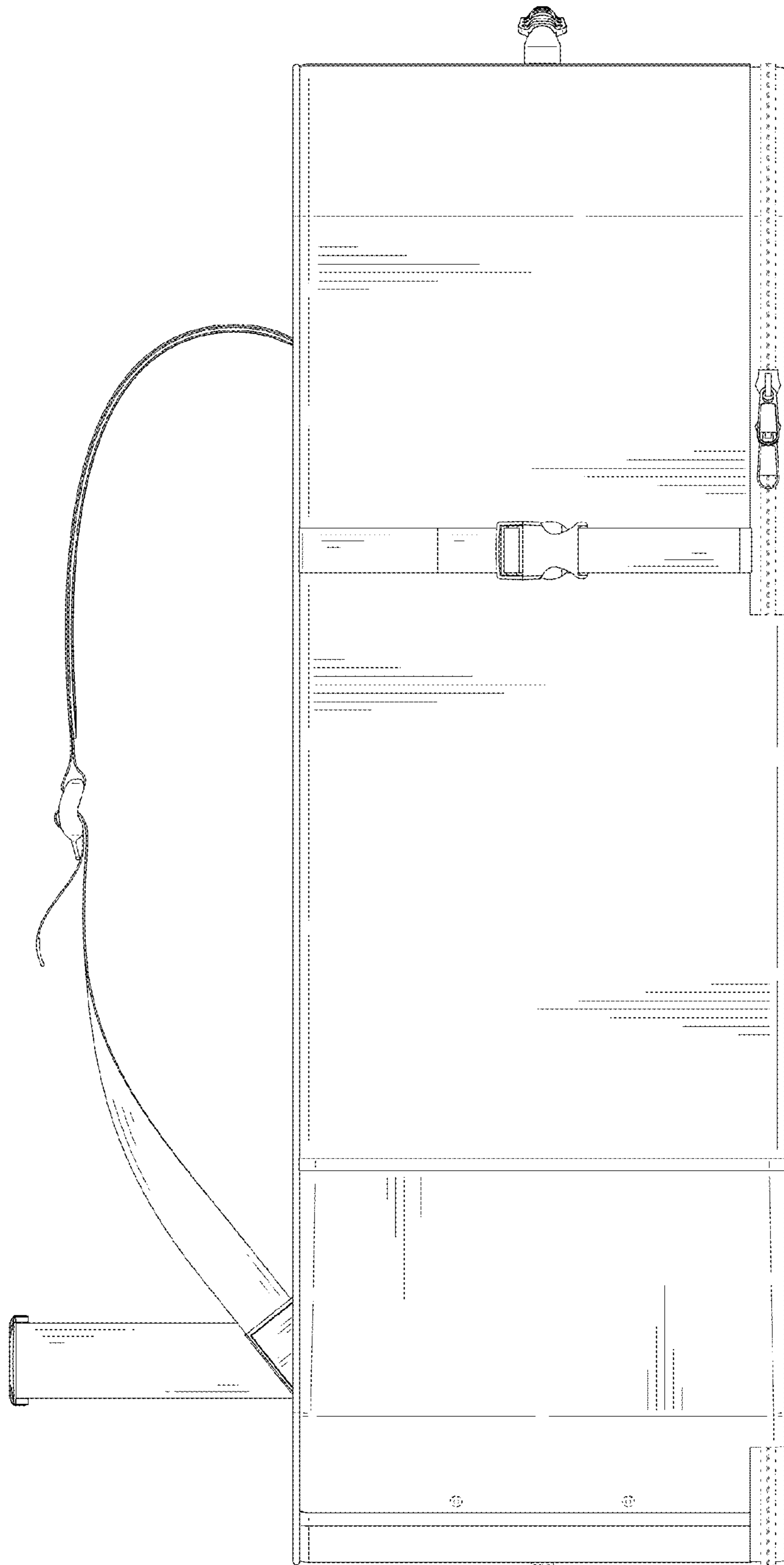


FIG. 5

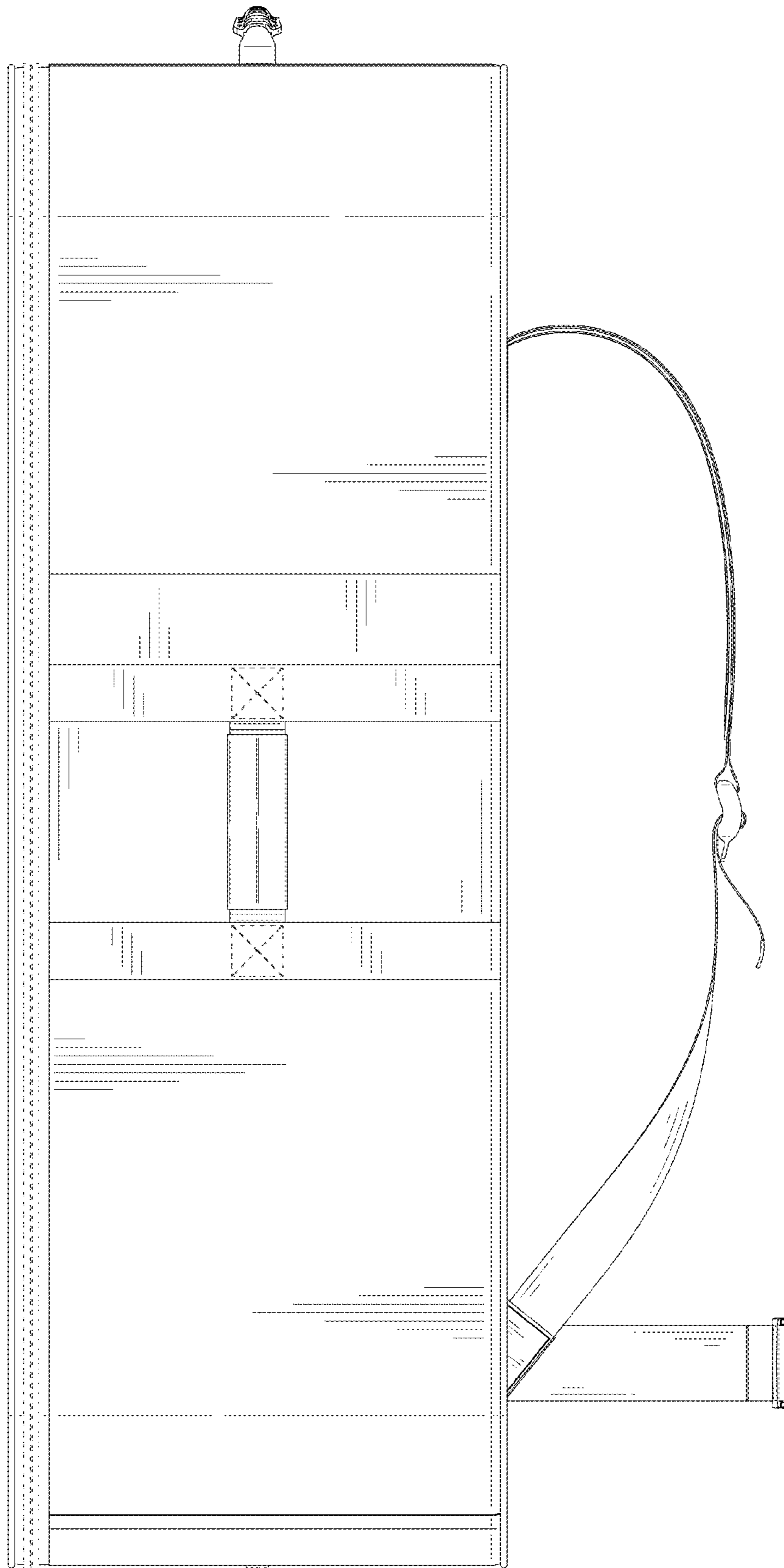


FIG. 6

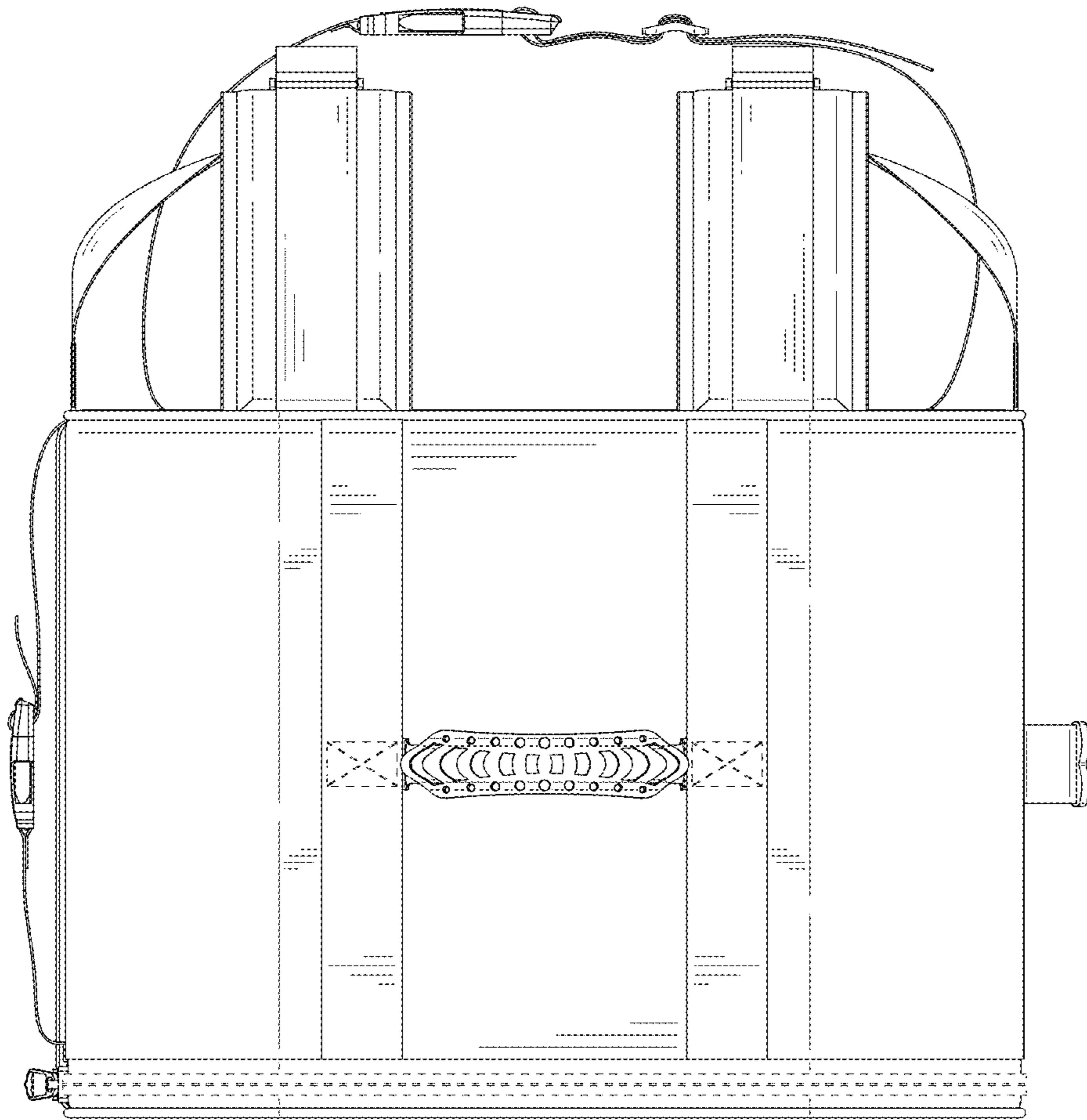


FIG. 7

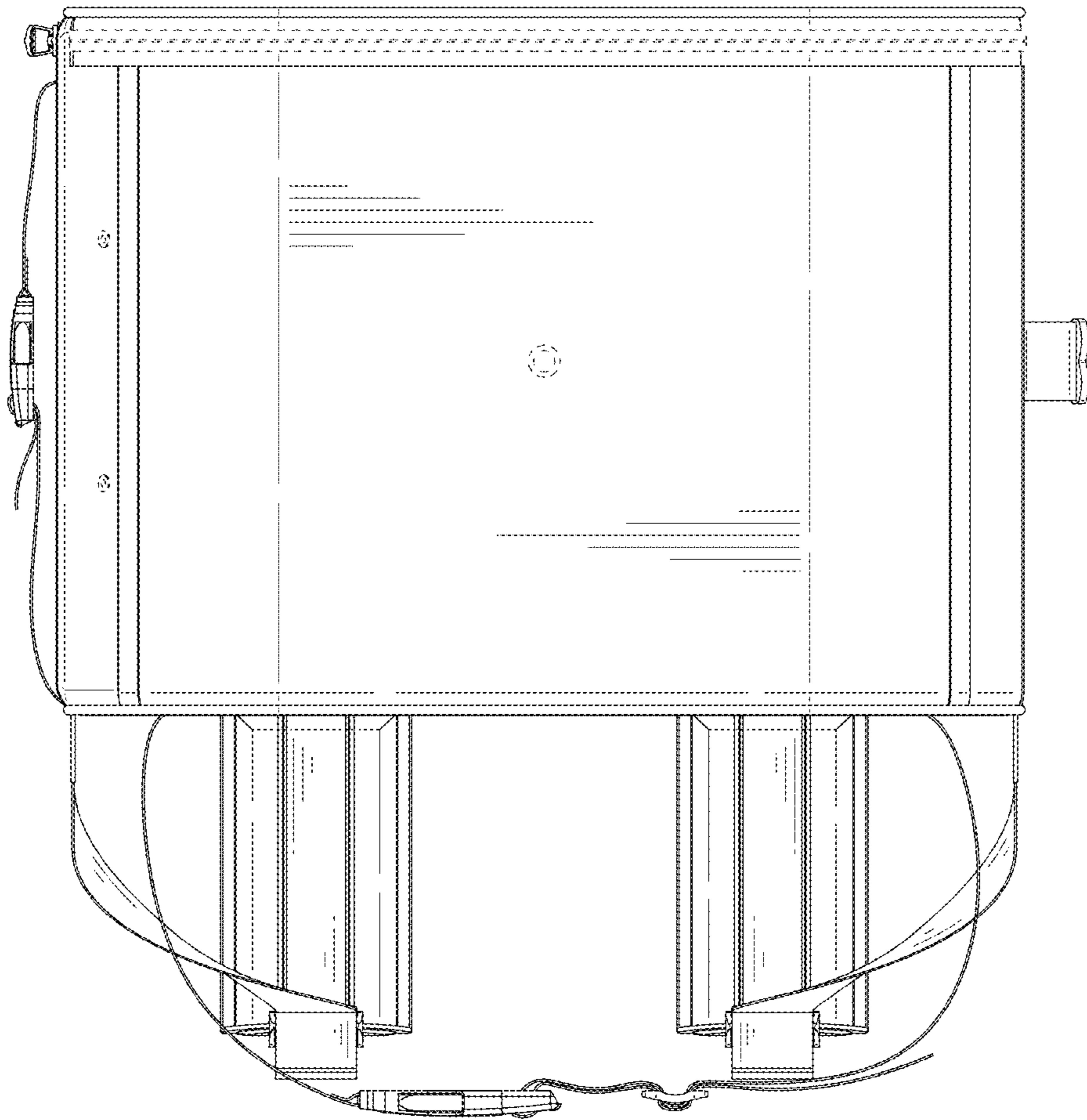


FIG. 8