



US00D942140S

(12) **United States Design Patent**
Fan et al.

(10) **Patent No.:** **US D942,140 S**
(45) **Date of Patent:** **** Feb. 1, 2022**

(54) **BAG FOR CARRYING AN ANIMAL**

(71) Applicants: **Jinyu Fan**, Hangzhou (CN); **Xinyu Da**, Hangzhou (CN)

(72) Inventors: **Jinyu Fan**, Hangzhou (CN); **Xinyu Da**, Hangzhou (CN)

(73) Assignee: **HANGZHOU MAOYAN TECHNOLOGY CO., LTD.**, Hangzhou (CN)

(**) Term: **15 Years**

(21) Appl. No.: **29/716,763**

(22) Filed: **Dec. 11, 2019**

(51) **LOC (13) Cl.** **03-01**

(52) **U.S. Cl.**

USPC **D3/217**

(58) **Field of Classification Search**

USPC D3/216, 217, 232, 233, 242–246, 273,
D3/289, 290, 318, 321, 322, 323;
D30/108, 109

CPC .. A45F 3/04; A45F 3/042; A45F 3/047; A45F
3/08; A45F 3/10; A45F 3/14; A45C
2003/007

See application file for complete search history.

(56) **References Cited**

U.S. PATENT DOCUMENTS

D446,009 S *	8/2001	Mandell	D3/216
D883,659 S *	5/2020	Lu	D3/217
D885,043 S *	5/2020	Lu	D3/217
D902,582 S *	11/2020	Huang	D3/217
D915,762 S *	4/2021	Li	D3/217
D917,874 S *	5/2021	Zhang	D3/217
2003/0197340 A1 *	10/2003	Udall	B62B 5/085 280/47.27

2016/0192614 A1* 7/2016 Hawk A45F 3/04
119/497
2017/0112267 A1* 4/2017 Wu A45C 13/1092
2019/0313597 A1* 10/2019 Chen A01K 1/0254

OTHER PUBLICATIONS

Pet Cat Carrier Backpack, posted at etsy.com, no posting date, retrieved May 21, 2021, online, URL: https://www.etsy.com/listing/861360005/pet-cat-carrier-backpack-breathable-cat?ga_order=most_relevant&ga_search_type=all&ga_view_type=gallery&ga_search_query=pet+backpack&ref=sr_gallery-1-4&from_market_lis (Year: 2021).*

* cited by examiner

Primary Examiner — Lilyana Bekic

Assistant Examiner — Mary Shannon Malley

(74) *Attorney, Agent, or Firm* — Law Offices of Steven W. Weinrieb

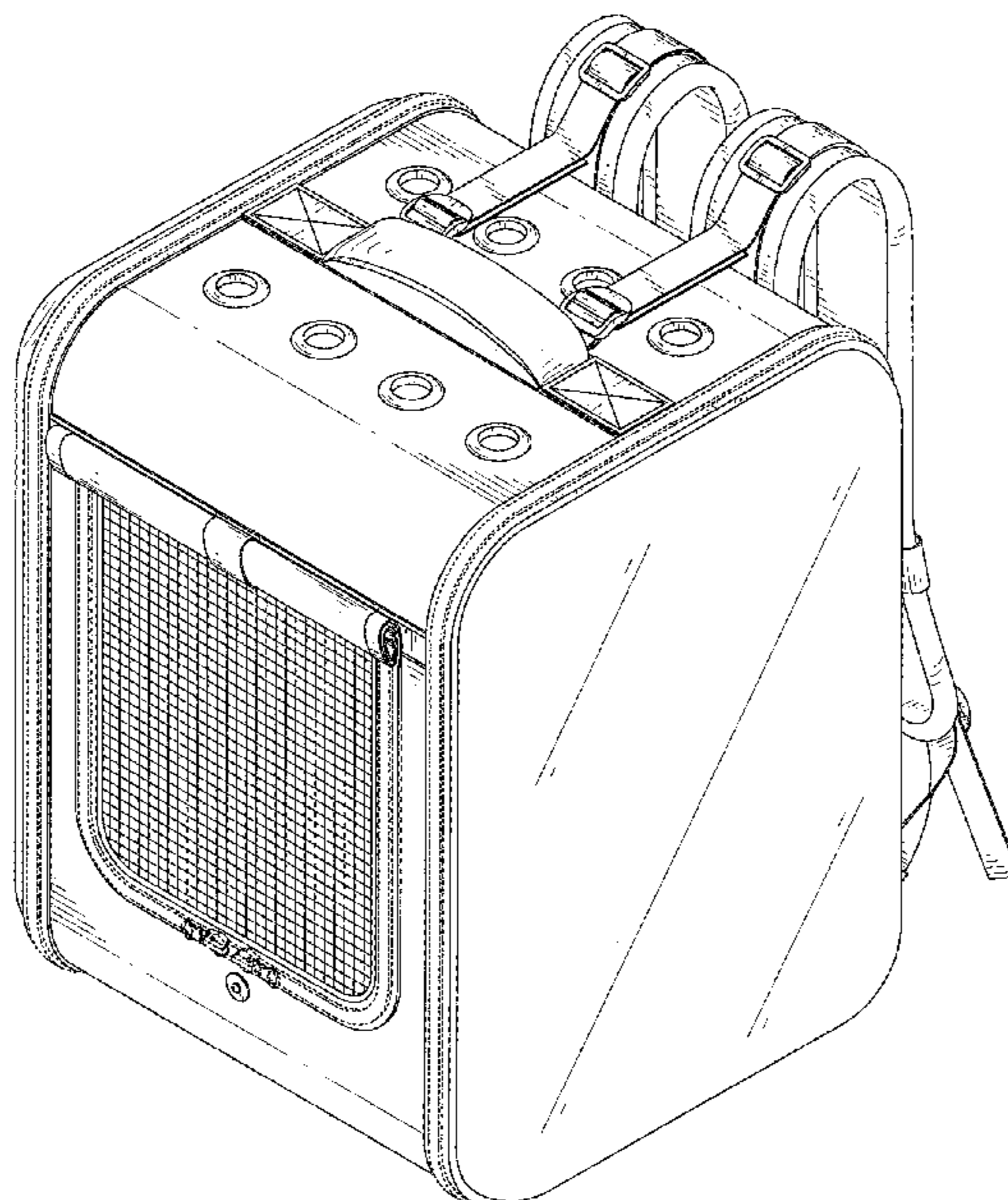
(57) **CLAIM**

The ornamental design for a bag for carrying an animal, as shown and described.

DESCRIPTION

FIG. 1 is a front, right side, top perspective view of a bag for carrying an animal showing my new design;
FIG. 2 is a rear, left side, bottom perspective view thereof;
FIG. 3 is a front elevational view thereof;
FIG. 4 is a rear elevational view thereof;
FIG. 5 is a left side elevational view thereof;
FIG. 6 is a right side elevational view thereof;
FIG. 7 is a top plan view thereof;
FIG. 8 is a bottom plan view thereof; and,
FIG. 9 is a front, right side, top perspective view thereof, with the front closure rolled down.
The broken lines depict portions of the bag for carrying an animal which form no part of the claimed design.

1 Claim, 9 Drawing Sheets



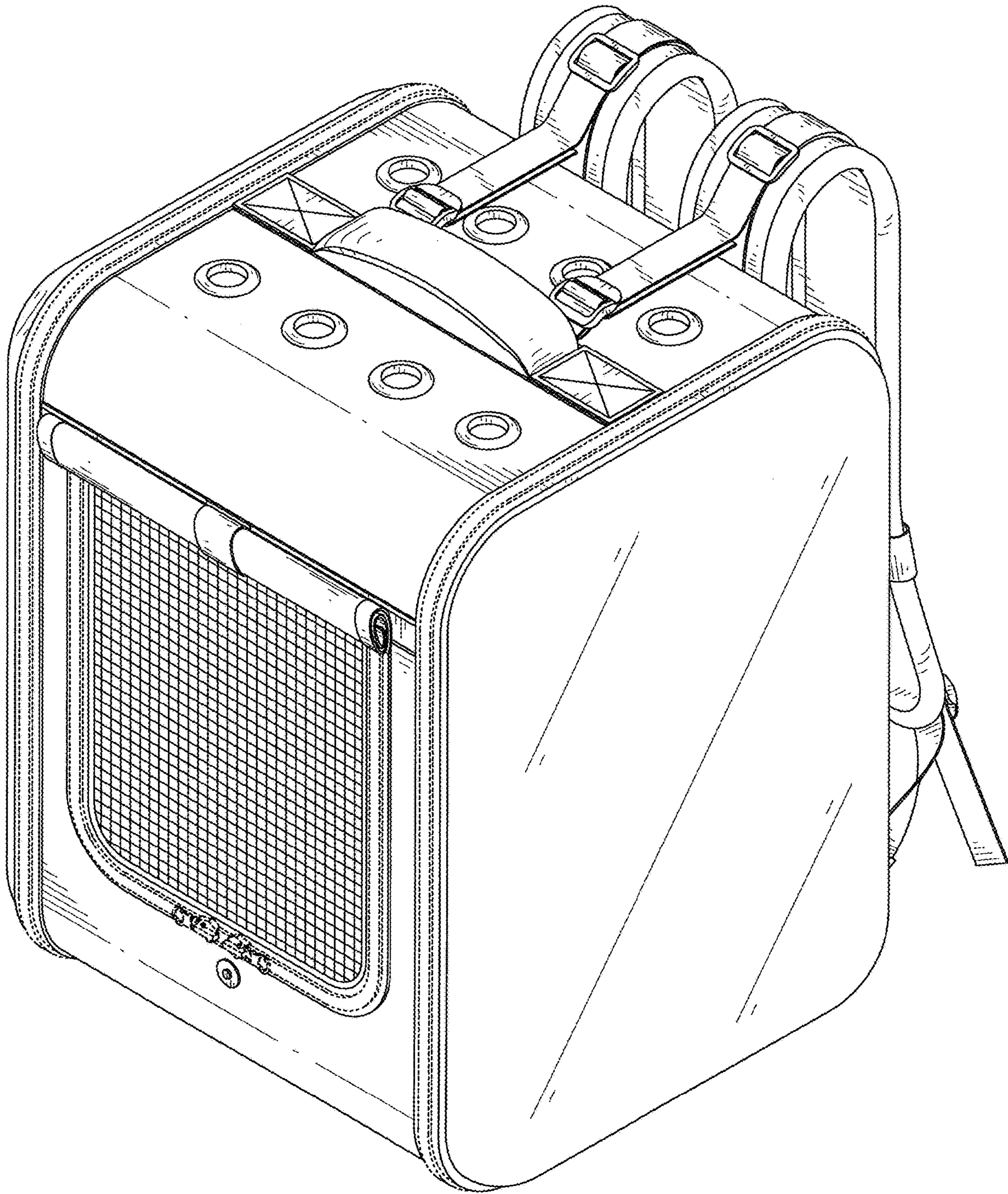


FIG. 1



FIG. 2

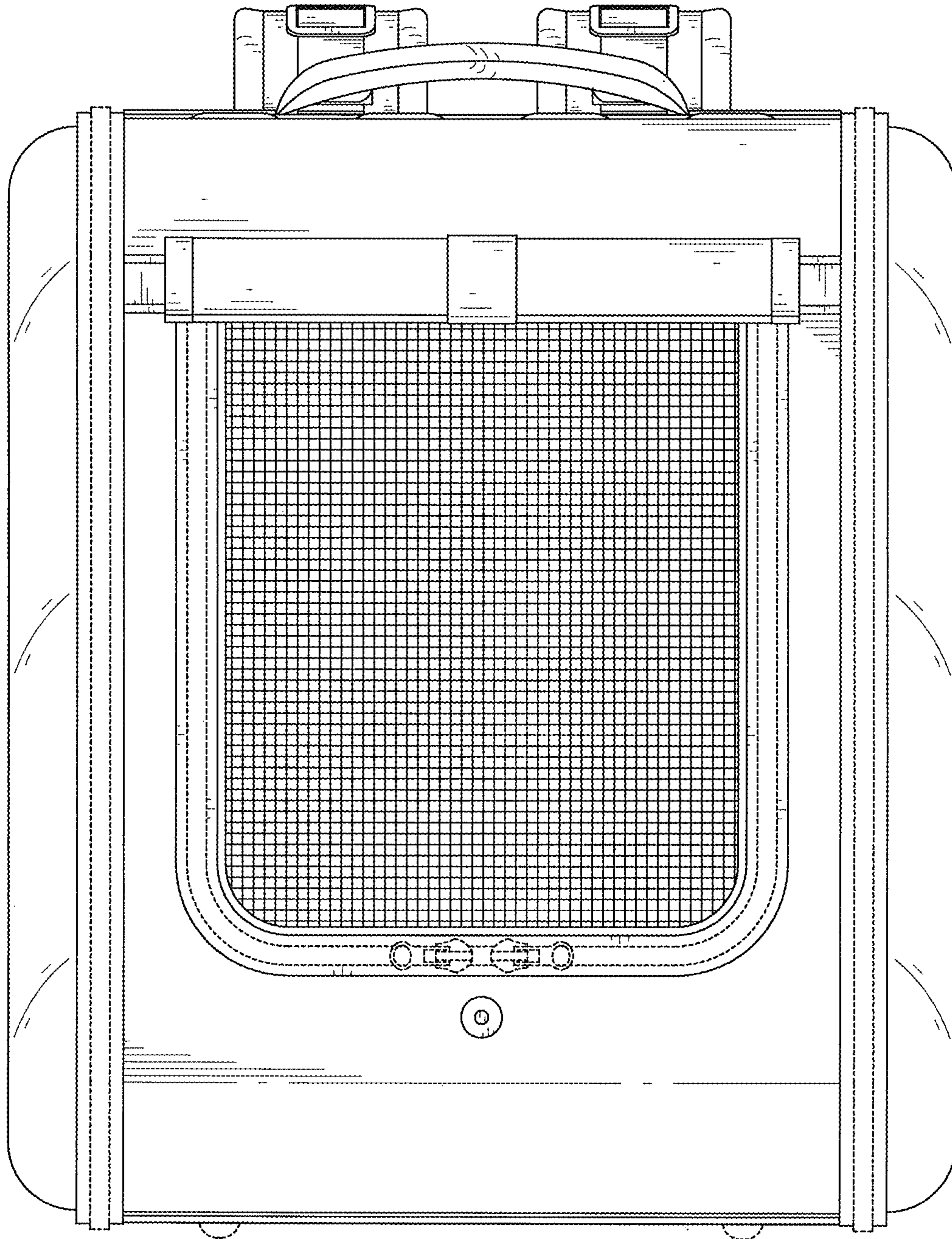


FIG. 3

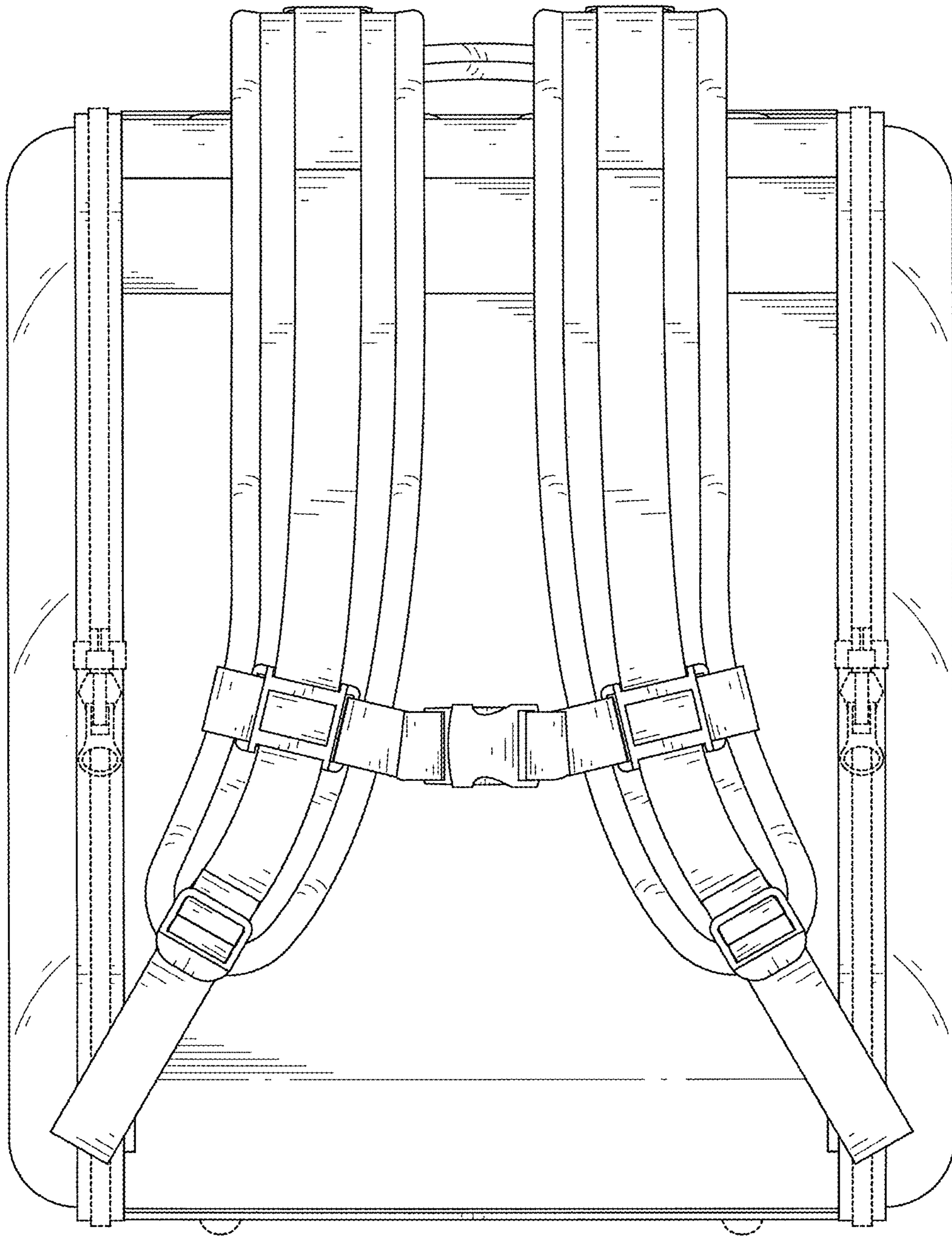


FIG. 4

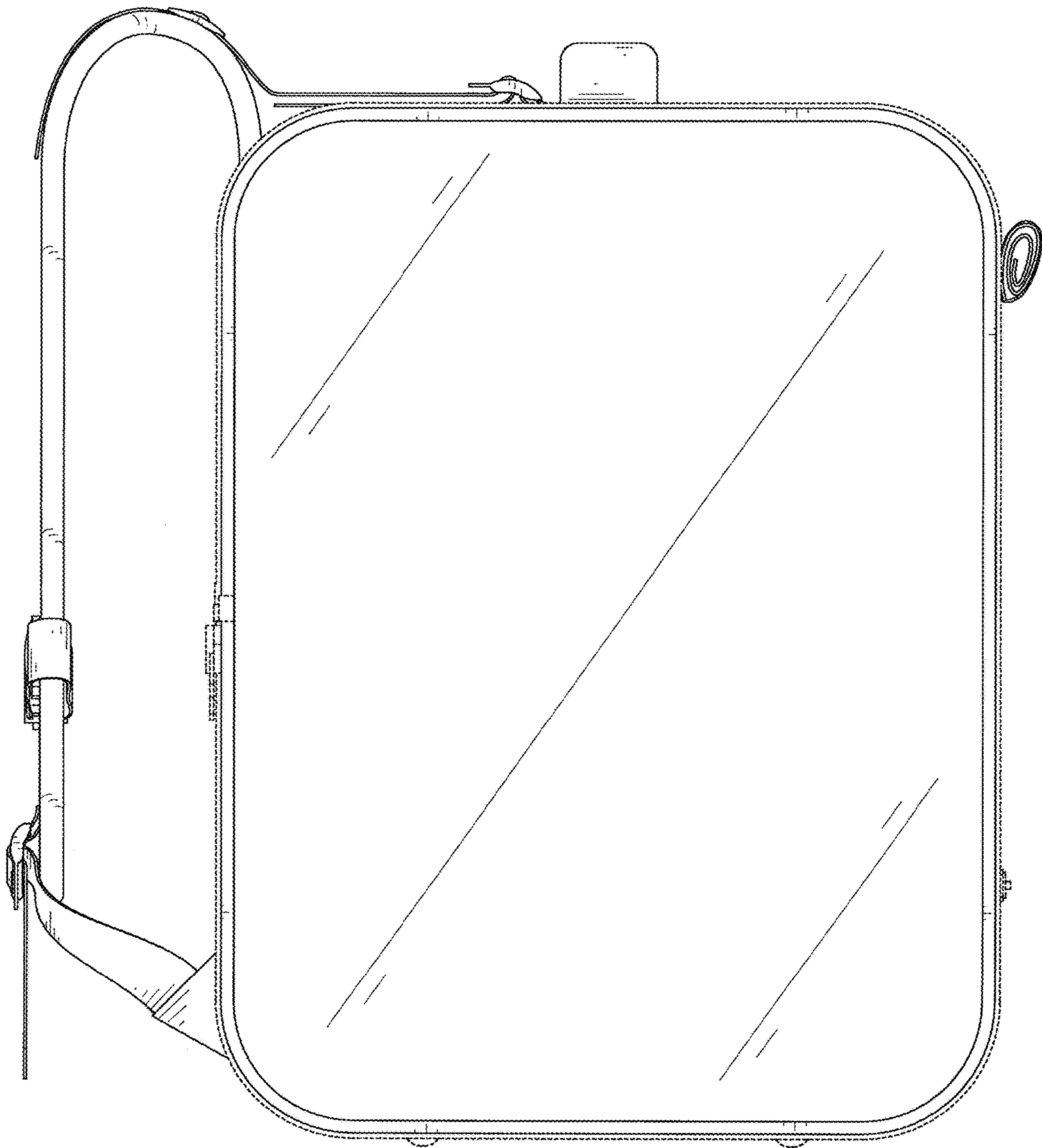


FIG. 5



FIG. 6

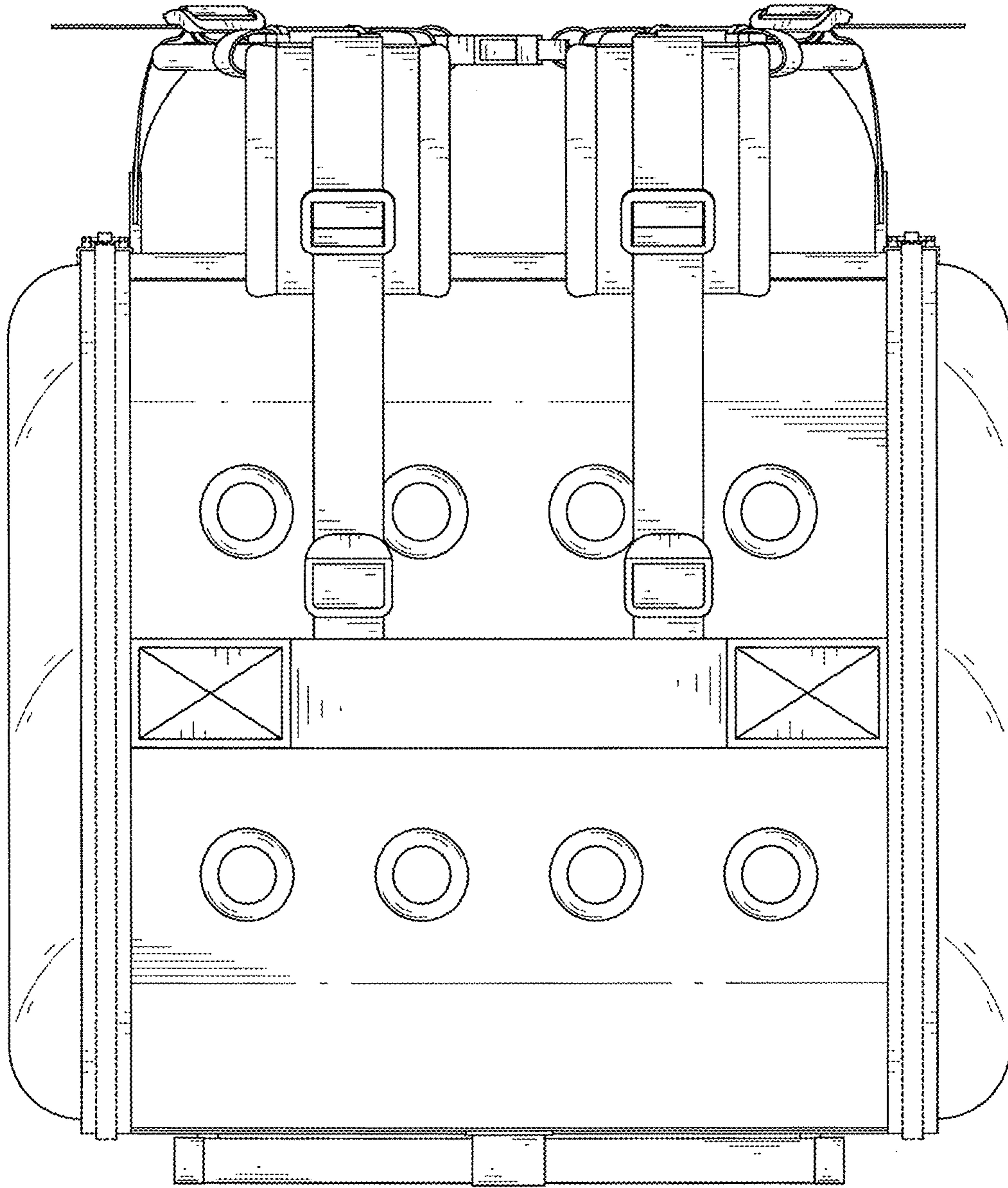


FIG. 7

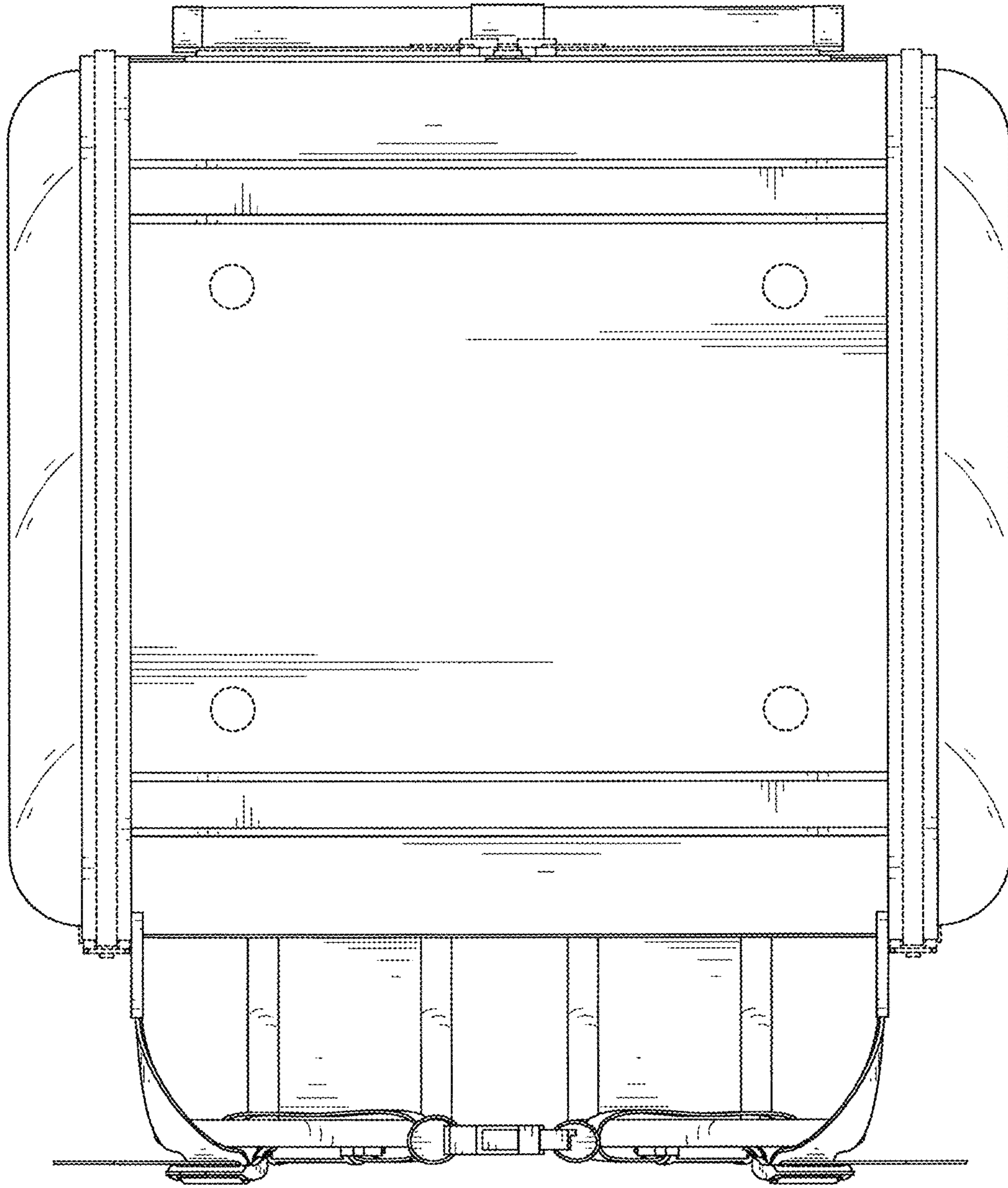


FIG. 8

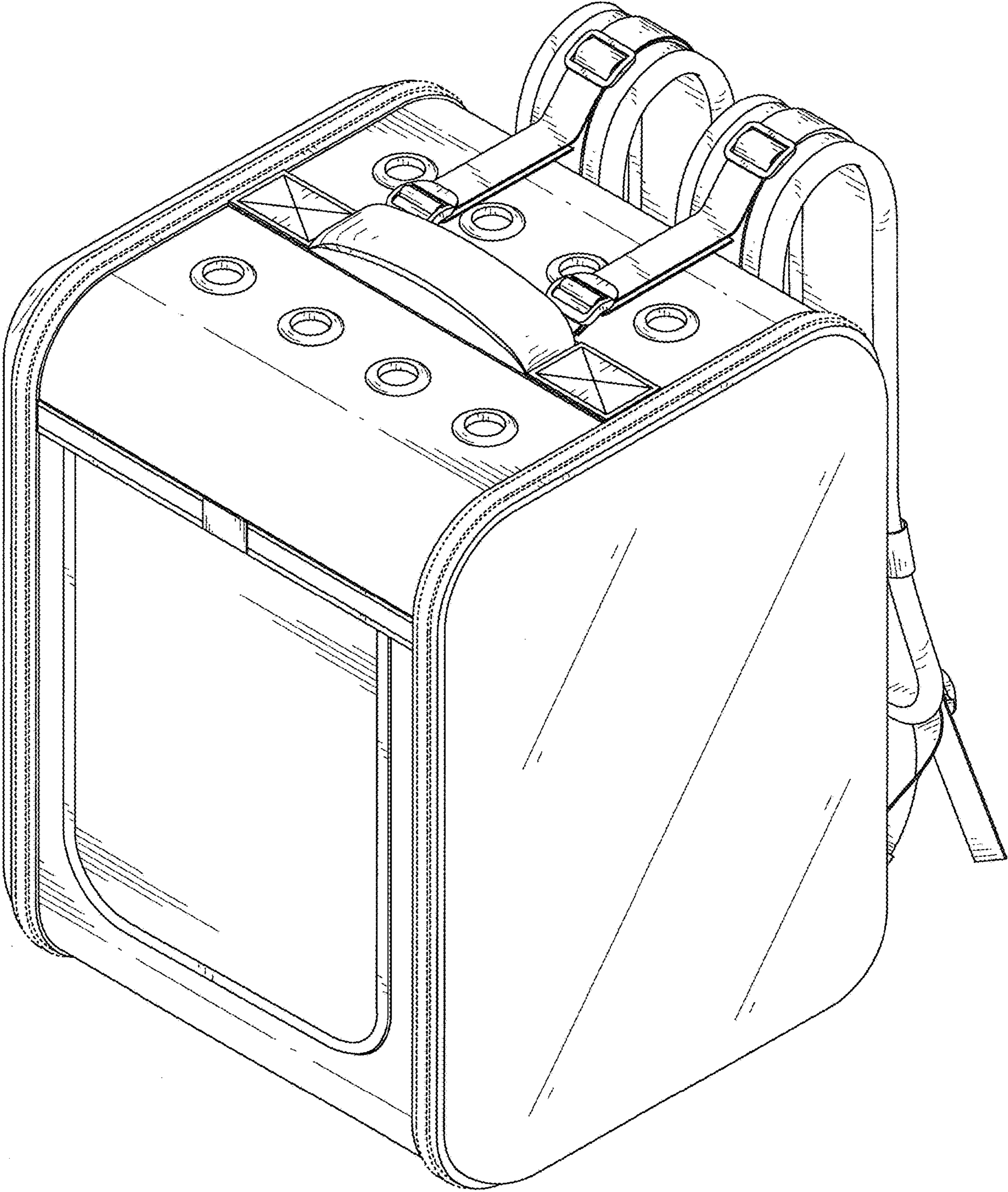


FIG. 9