



US00D942130S

(12) **United States Design Patent**
Teoh

(10) **Patent No.:** **US D942,130 S**

(45) **Date of Patent:** **** Feb. 1, 2022**

(54) **ARTICLE OF FOOTWEAR**

(71) Applicant: **JCT Solutions Pty Ltd**, Dalkeith (AU)

(72) Inventor: **Pek Joo Teoh**, Dalkeith (AU)

(73) Assignee: **JCT Solutions Pty Ltd**, Dalkeith (AU)

(**) Term: **15 Years**

(21) Appl. No.: **29/646,628**

(22) Filed: **May 6, 2018**

(30) **Foreign Application Priority Data**

Nov. 7, 2017 (AU) 201716786

(51) **LOC (13) Cl.** **02-04**

(52) **U.S. Cl.**
USPC **D2/926; D2/919; D2/923**

(58) **Field of Classification Search**
USPC D2/897-900, 916-918, 919-926, 946,
D2/969, 971
CPC .. A43B 3/12; A43B 3/10; A43B 3/128; A43B
3/00
See application file for complete search history.

(56) **References Cited**

U.S. PATENT DOCUMENTS

D473,040 S * 4/2003 Hawker D2/896
D517,790 S * 3/2006 Seamans D2/969

D575,034 S * 8/2008 Hoyt D2/896
D630,006 S * 1/2011 Voare D2/923
D648,105 S * 11/2011 Schlageter D2/923
D648,926 S * 11/2011 Glazer D2/896
D669,664 S * 10/2012 Lubart D2/923
D677,039 S * 3/2013 Lubart D2/923

* cited by examiner

Primary Examiner — Rashida C. Walshon

(74) *Attorney, Agent, or Firm* — Winstead PC

(57) **CLAIM**

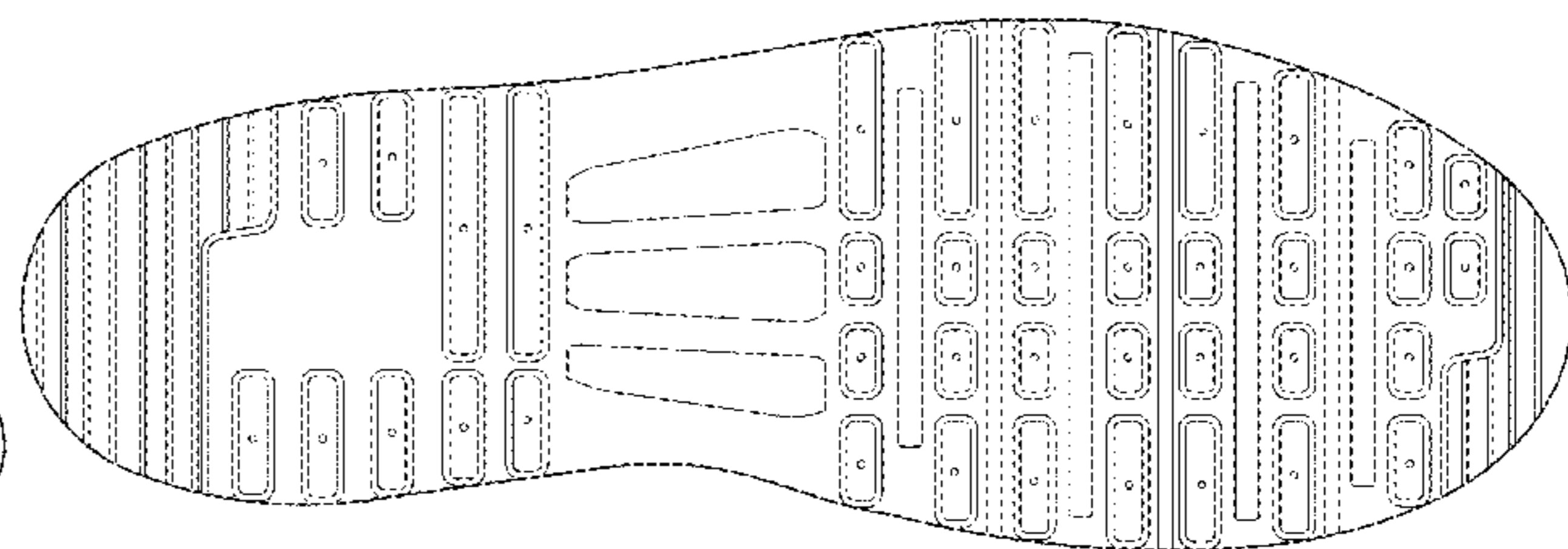
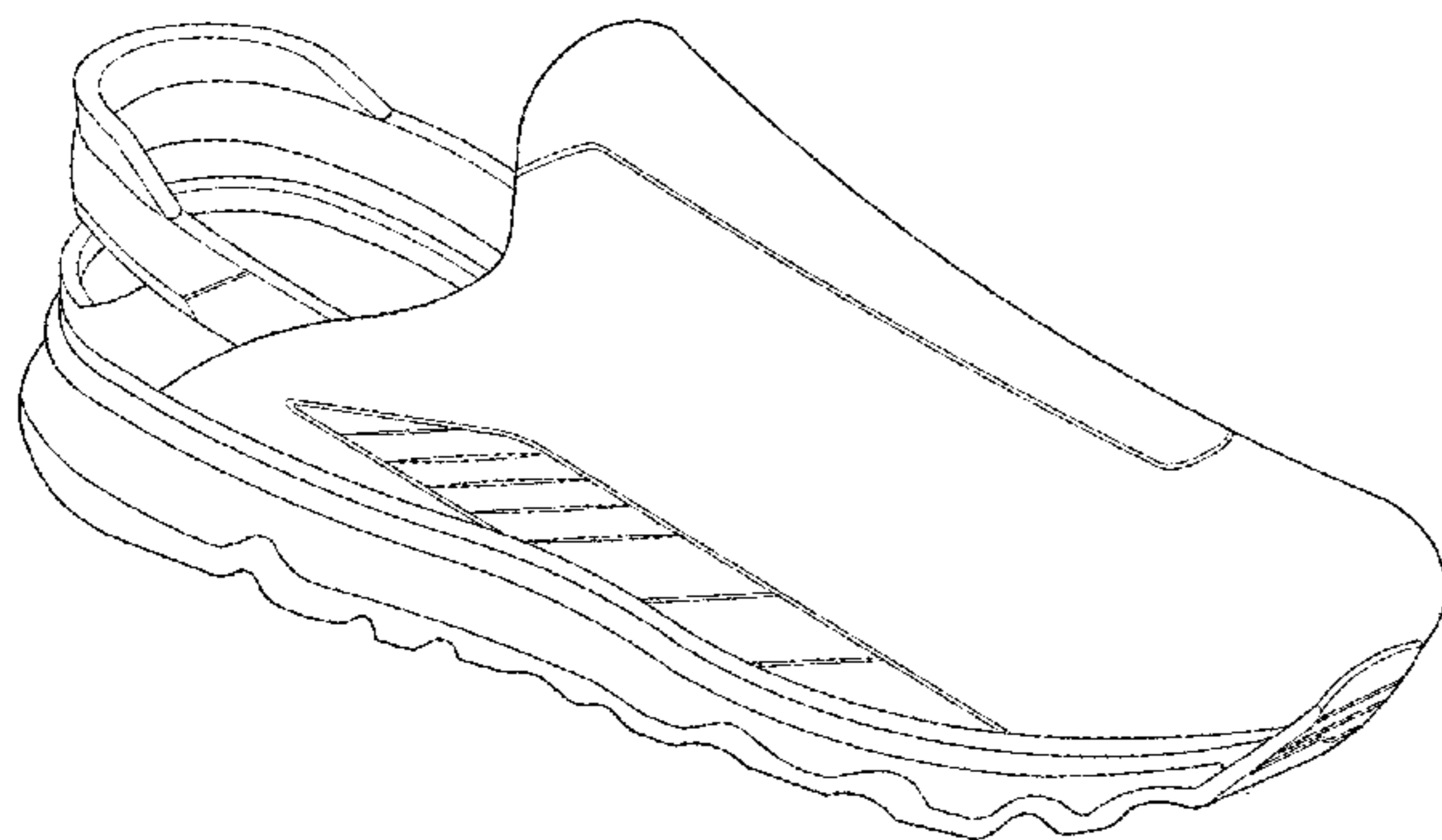
The ornamental design for an article of footwear, as shown and described.

DESCRIPTION

FIG. 1 is a front perspective view of an article of footwear in accordance with the design;
FIG. 2 is a top plan view thereof;
FIG. 3 is a bottom plan view thereof;
FIG. 4 is a right side view thereof;
FIG. 5 is a left side view thereof;
FIG. 6 is a front view thereof; and,
FIG. 7 is a rear view thereof.

The broken lines in the drawings represent parts of the footwear that form no part of the claim.

1 Claim, 6 Drawing Sheets



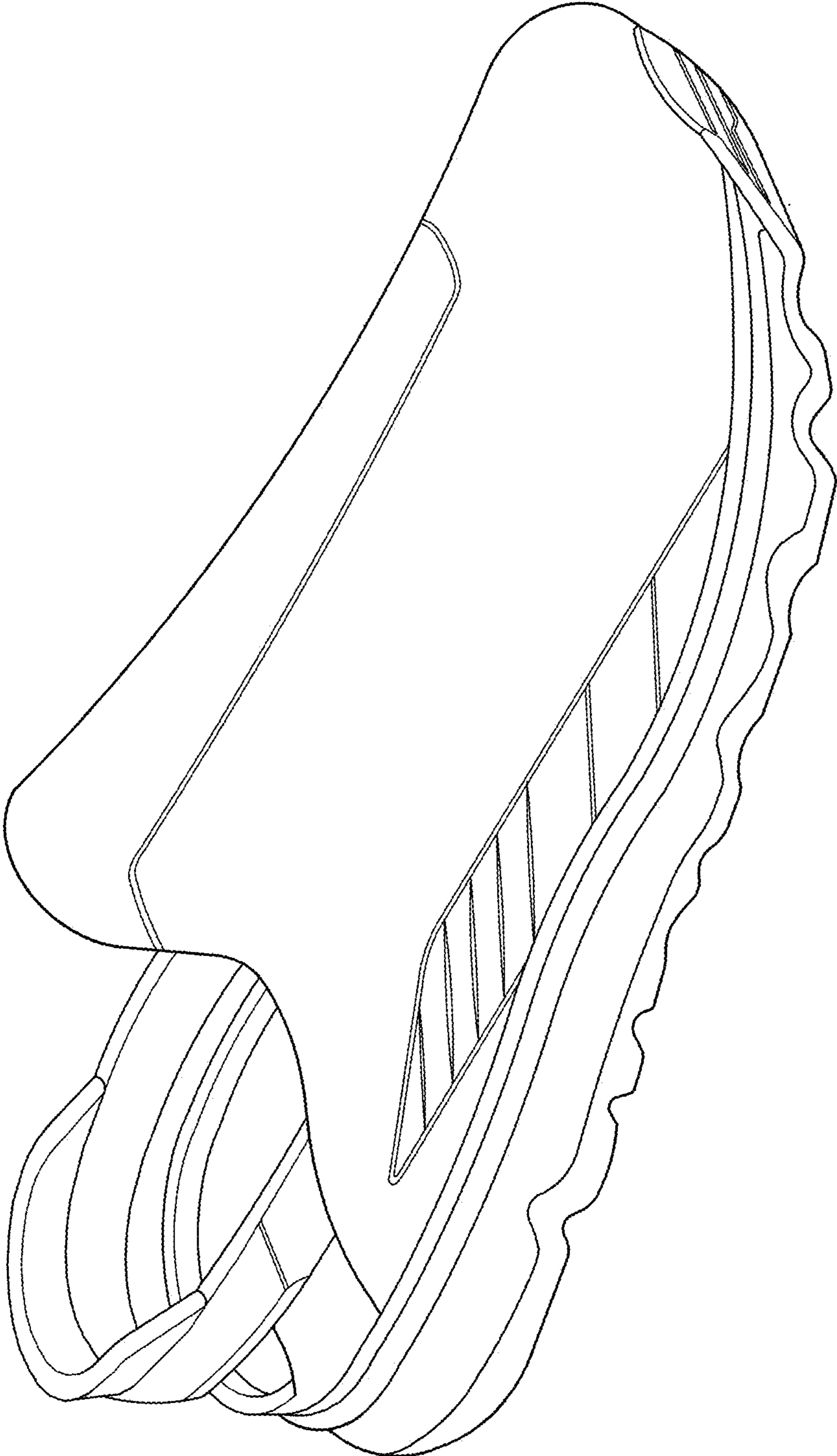


FIG 1

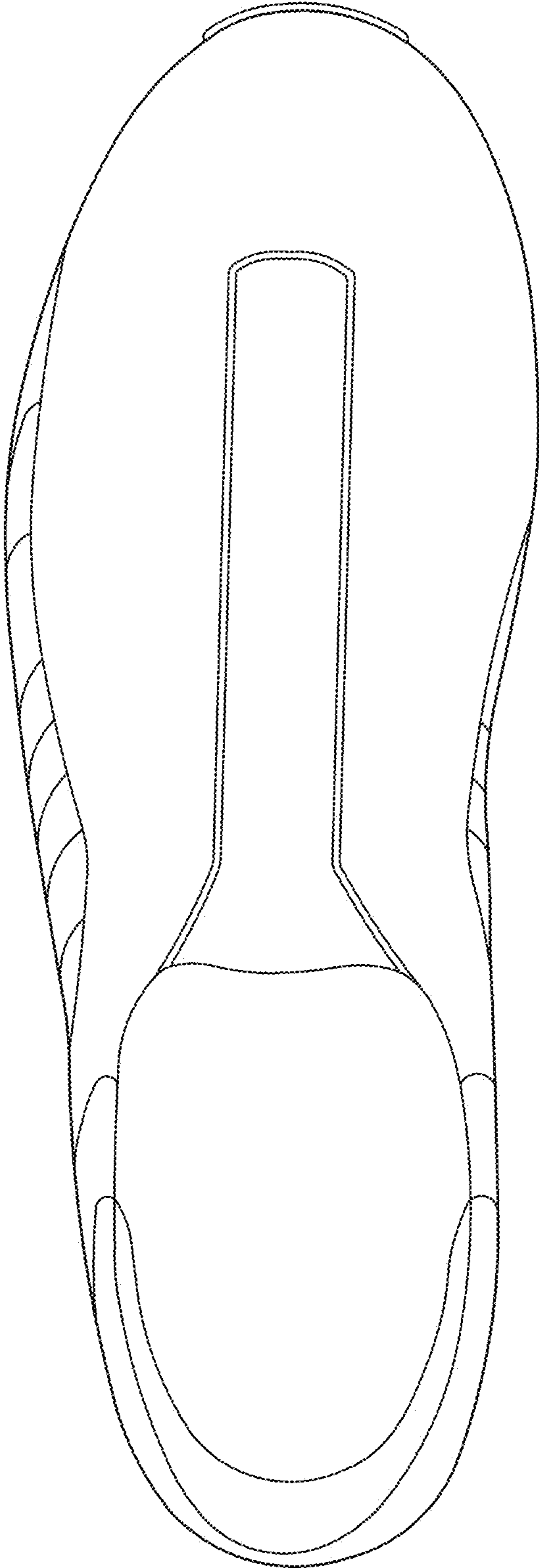


FIG 2

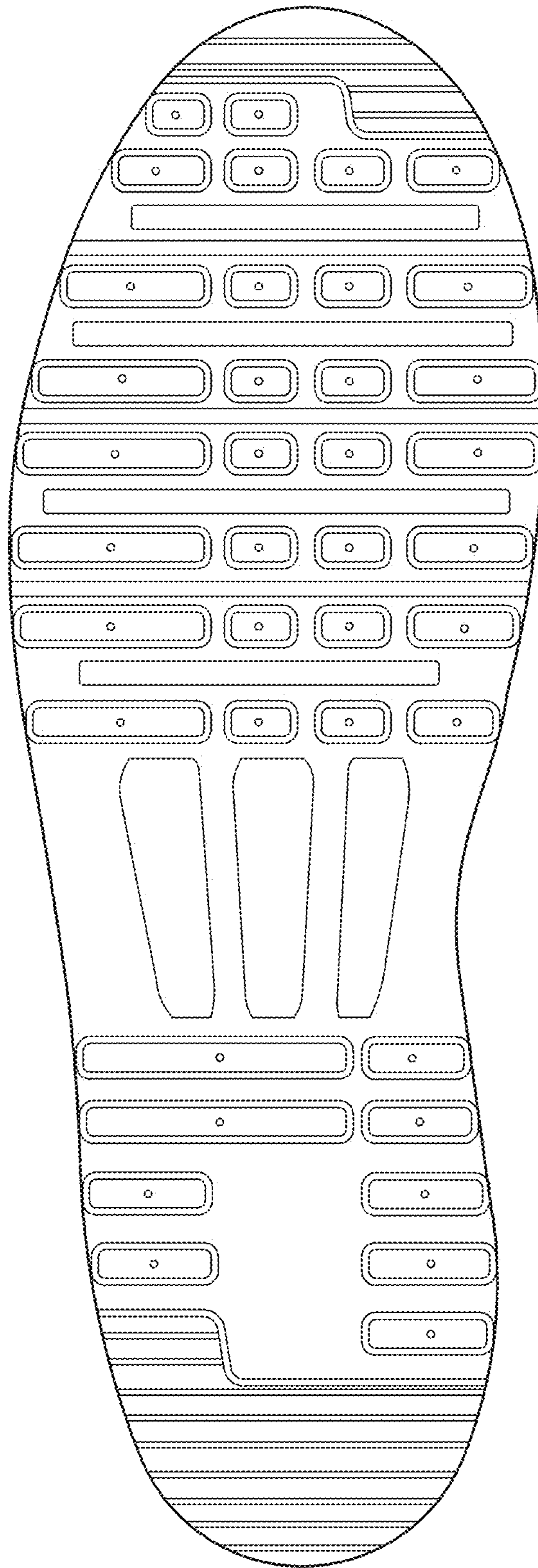


FIG 3

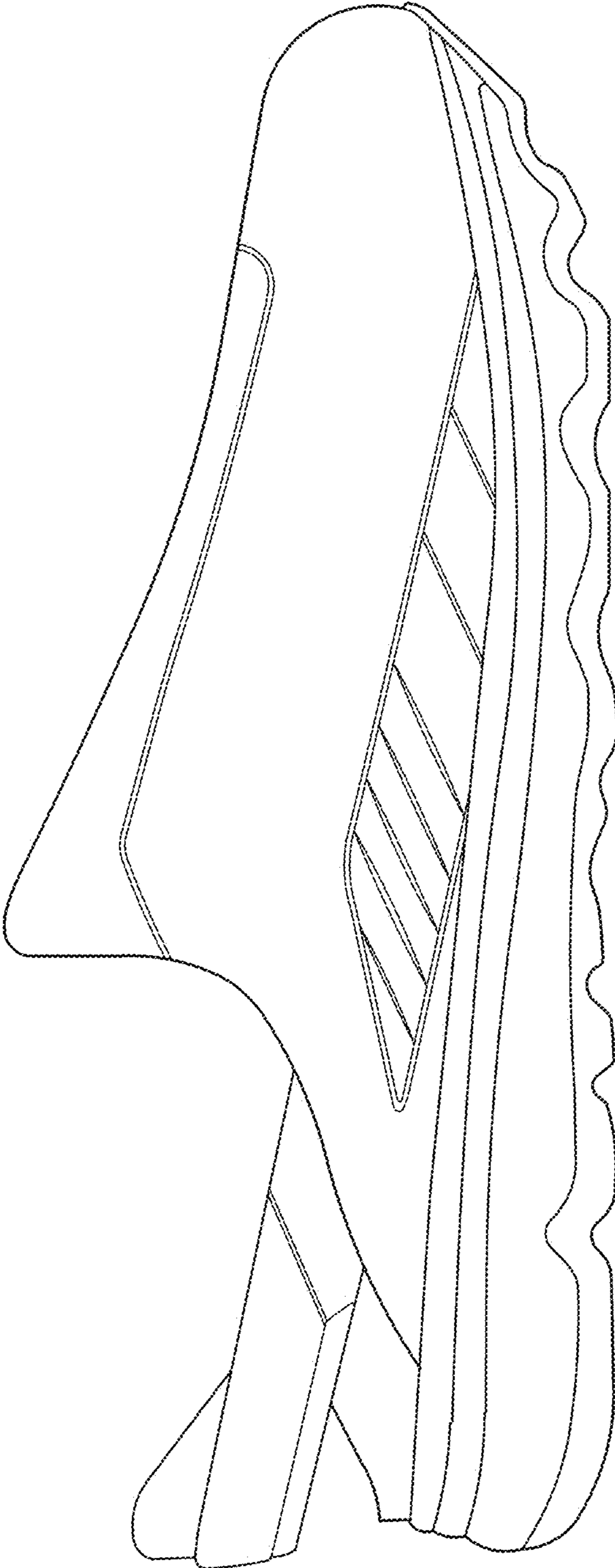


FIG 4

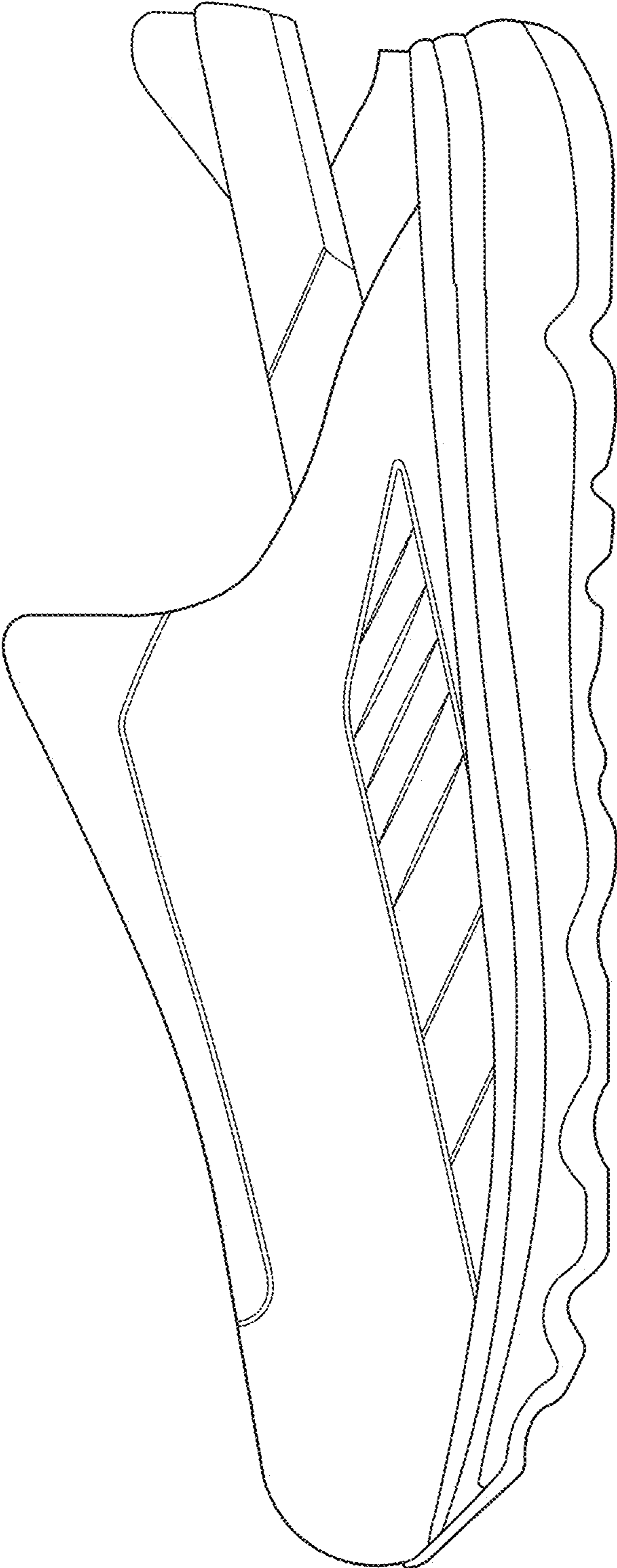


FIG 5

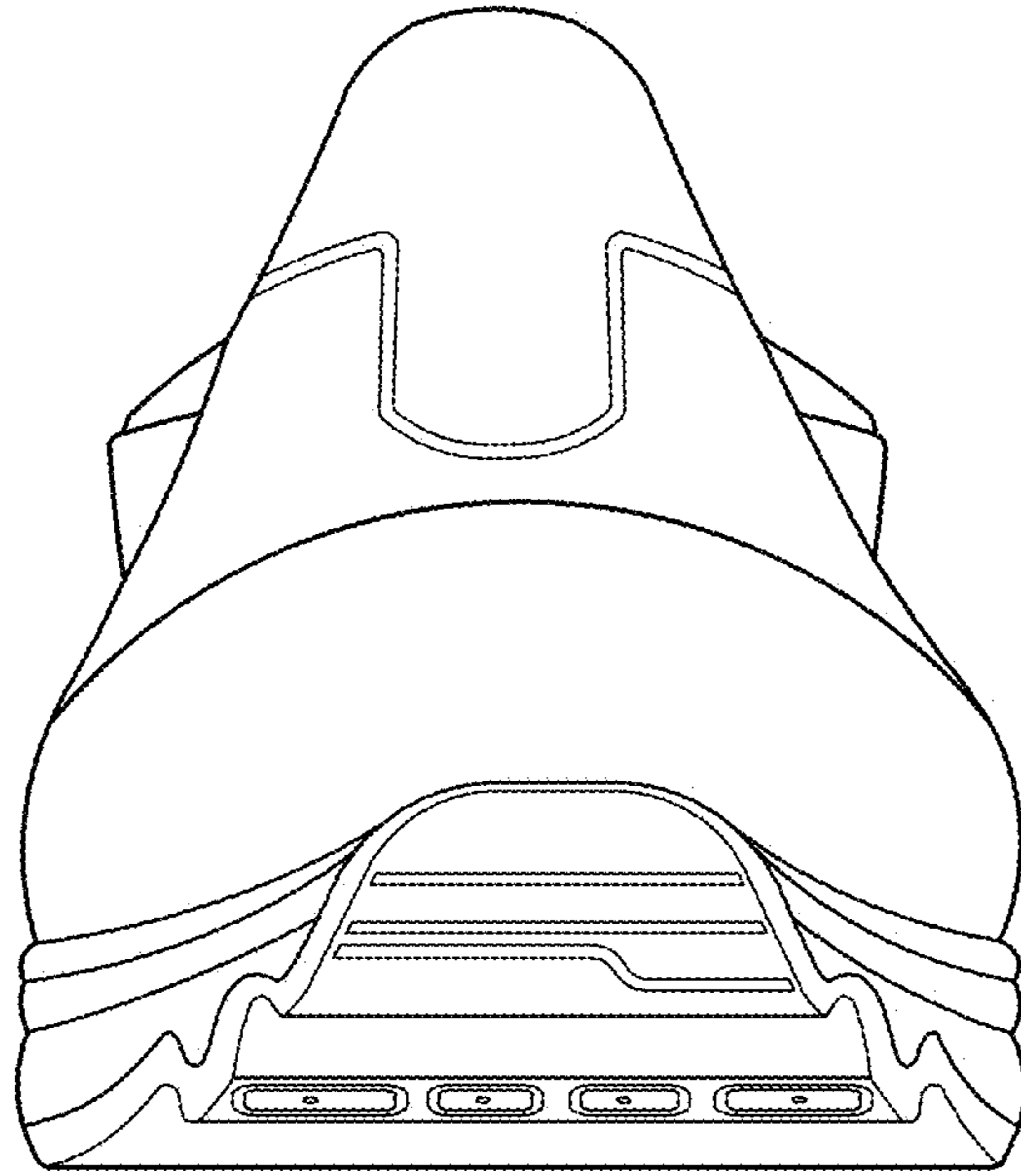


FIG 6

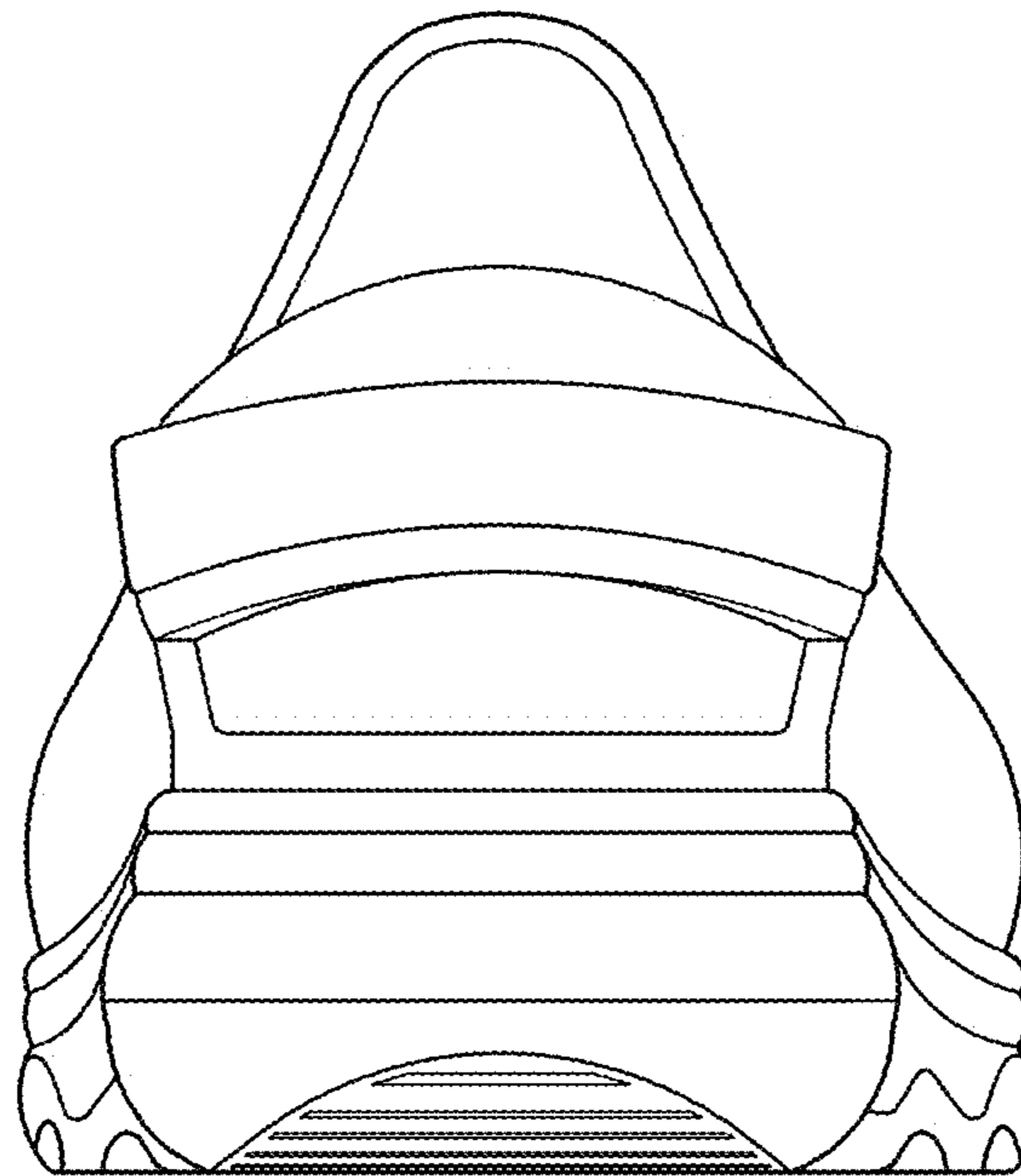


FIG 7