



US00D942115S

(12) **United States Design Patent** (10) **Patent No.:** **US D942,115 S**
Walker (45) **Date of Patent:** **** Feb. 1, 2022**

(54) **FORMED POTATO PIECE** 5,576,041 A * 11/1996 Clow A21C 11/06
425/294
(71) Applicant: **J.R. Simplot Company**, Boise, ID (US) D569,160 S * 5/2008 Mossbeck D6/601
7,426,767 B2 * 9/2008 Mossbeck A47C 27/144
(72) Inventor: **David Bruce Walker**, Meridian, ID D710,566 S * 8/2014 Tebow D1/121
(US) D723,244 S * 3/2015 King D1/128
D856,079 S * 8/2019 Howard D7/409
(73) Assignee: **J.R. SIMPLOT COMPANY**, Boise, ID D857,332 S * 8/2019 Howard D1/130
(US) D884,309 S * 5/2020 Howard D1/122
10,759,072 B2 * 9/2020 Rawlings B26D 3/26
(**) Term: **15 Years**

(21) Appl. No.: **29/729,432**
(22) Filed: **Mar. 26, 2020**
(51) **LOC (13) Cl.** **01-01**
(52) **U.S. Cl.**
USPC **D1/120**
(58) **Field of Classification Search**
USPC D1/100–130, 199; D7/504, 509, 510,
D7/523, 524, 555, 566, 568, 584–587,
D7/602, 672, 300.1; D21/386, 672, 803,
D21/821; D19/91; 426/92, 94, 95, 99,
426/101, 138–139, 143, 279, 282, 283,
426/391, 514; D11/146, 151, 154, 78,
D11/131, 141, 152; D14/480.5, 484.1;
D25/119, 121, 126; D30/160; 220/566;
D34/28, 29
CPC A21D 13/0029; A21D 13/0074; A21D
13/0022; A21D 13/0006; A23L 1/1641;
A23L 1/005
See application file for complete search history.

(56) **References Cited**
U.S. PATENT DOCUMENTS
D81,273 S * 6/1930 Etter D1/120
2,612,453 A * 9/1952 Stahmer A23L 19/18
426/143
D202,355 S * 9/1965 Rohrer D6/682.6
3,879,564 A * 4/1975 Cocozzella A21D 13/41
426/283

OTHER PUBLICATIONS

“REVIEW: Lay’s Kettle Cooked Latic Cut—Roasted Garlic & Sea Salt.” Chip Review. Aug. 19, 2012. Web. Mar. 21, 2021. <<https://chipreview.wordpress.com/2014/06/03/review-lays-kettle-cooked-lattice-cut-roasted-garlic-sea-salt/>>.*
Korean Intellectual Property Office; Office Action for Korean Patent Application No. 30-2020-0044043 dated May 21, 2021.

* cited by examiner

Primary Examiner — Katie Jane Stofko
(74) *Attorney, Agent, or Firm* — Parsons Behle & Latimer

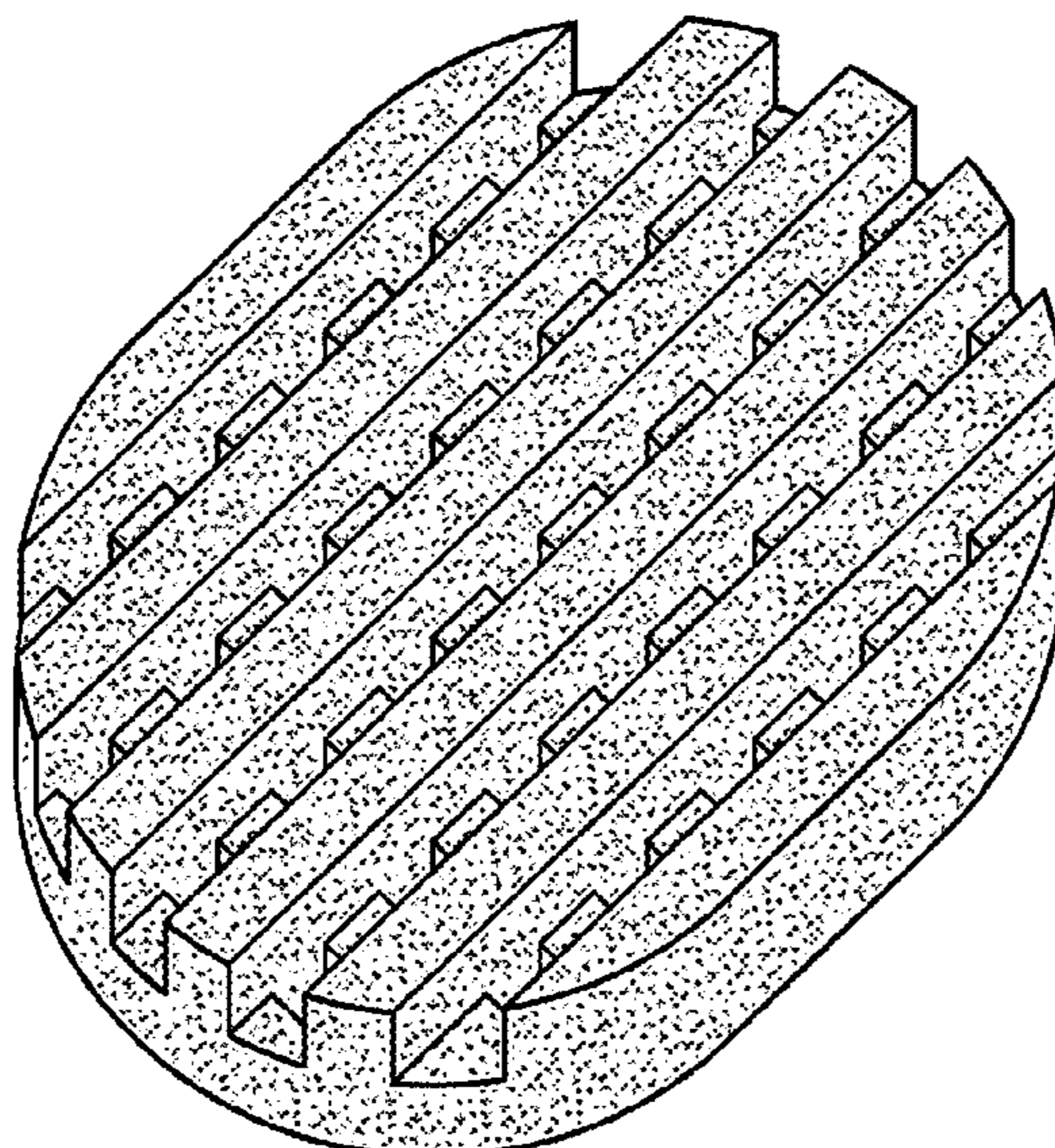
(57) **CLAIM**

The ornamental design for a formed potato piece, as shown.

DESCRIPTION

FIG. 1 is a perspective view of a formed potato piece, showing my new design;
FIG. 2 is a left side elevational view thereof;
FIG. 3 is a right side elevational view thereof;
FIG. 4 is a front elevational view thereof;
FIG. 5 is a rear elevational view thereof;
FIG. 6 is a top plan view thereof; and,
FIG. 7 is a bottom plan view thereof.

1 Claim, 2 Drawing Sheets



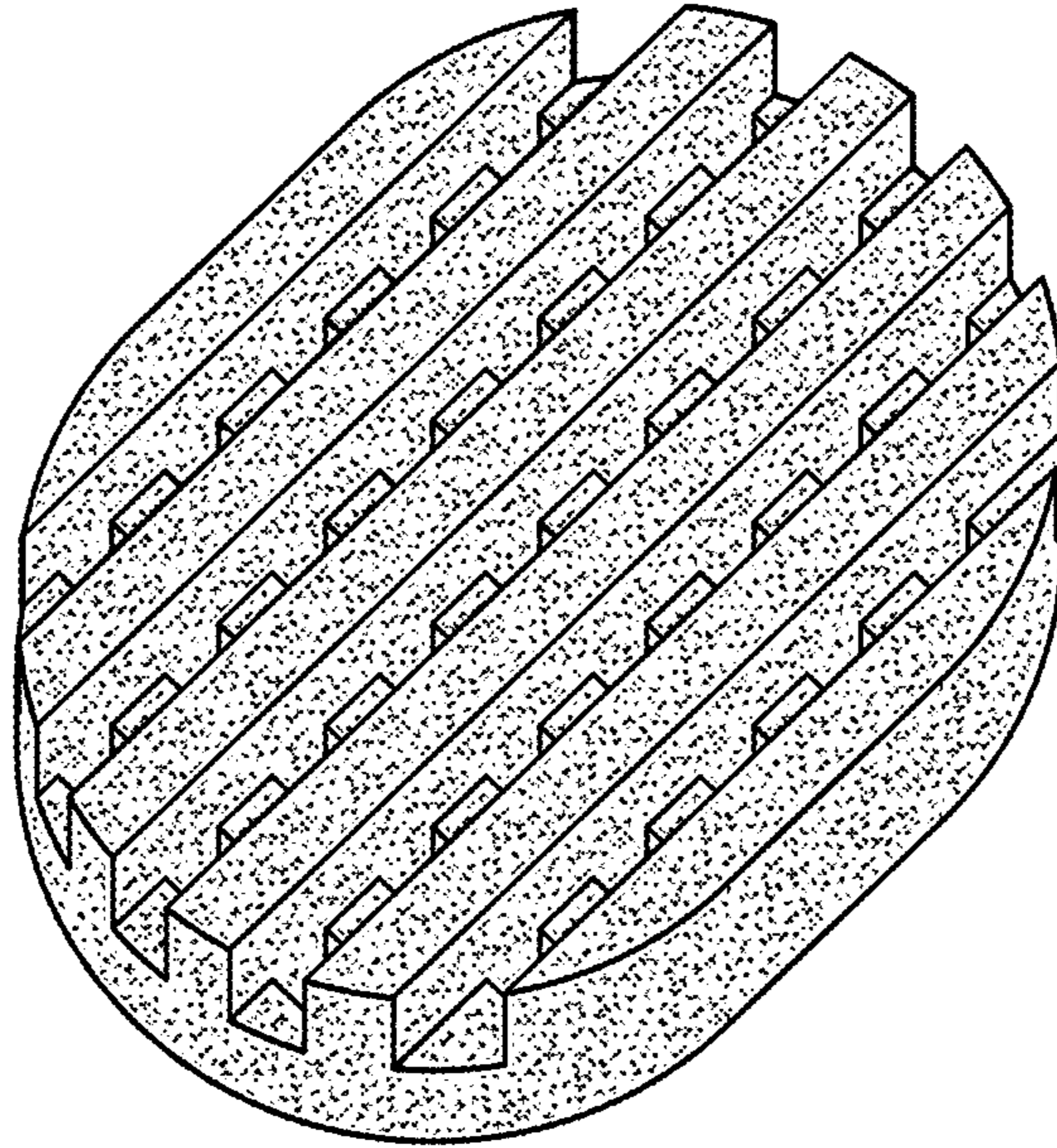


FIG. 1

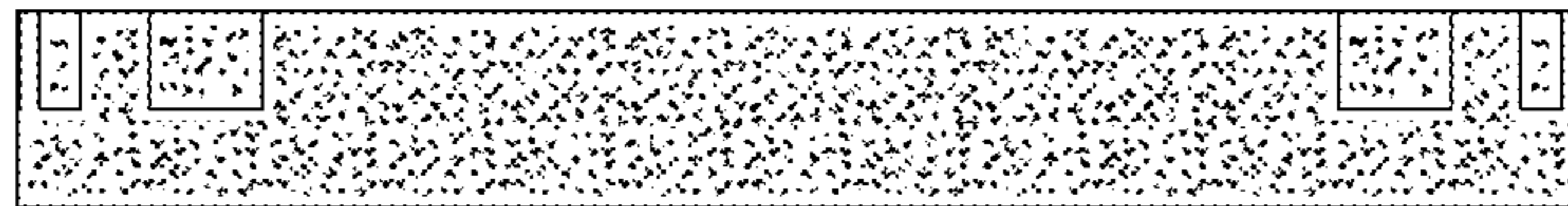


FIG. 2

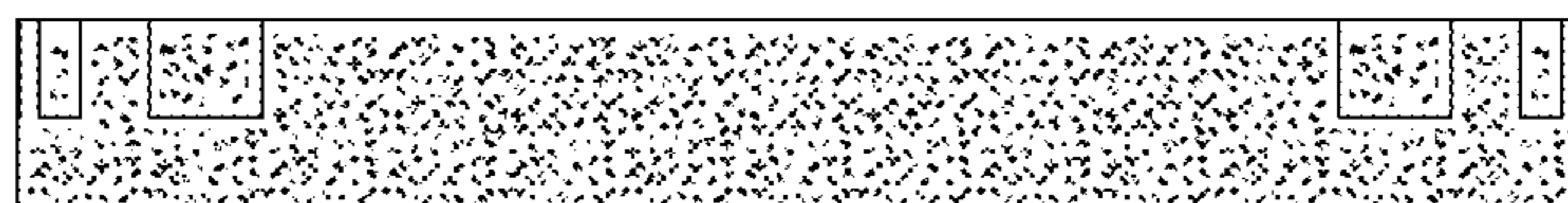


FIG. 3

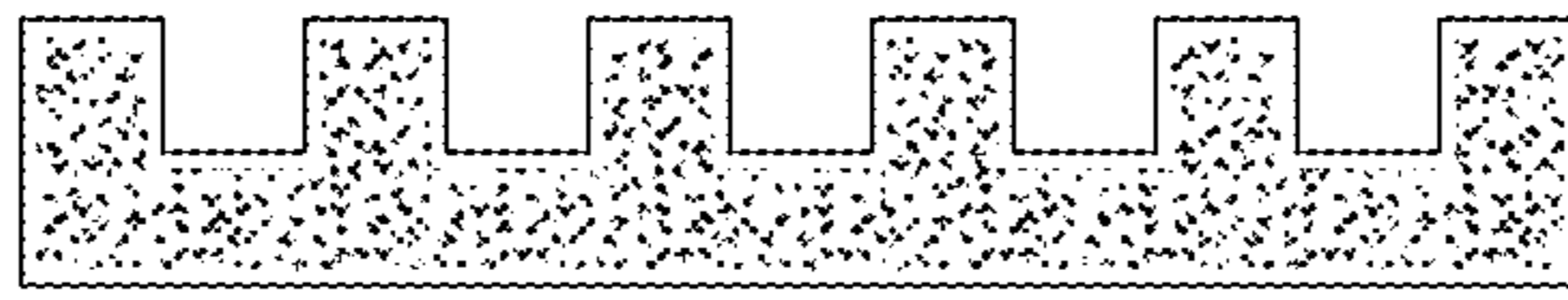


FIG. 4

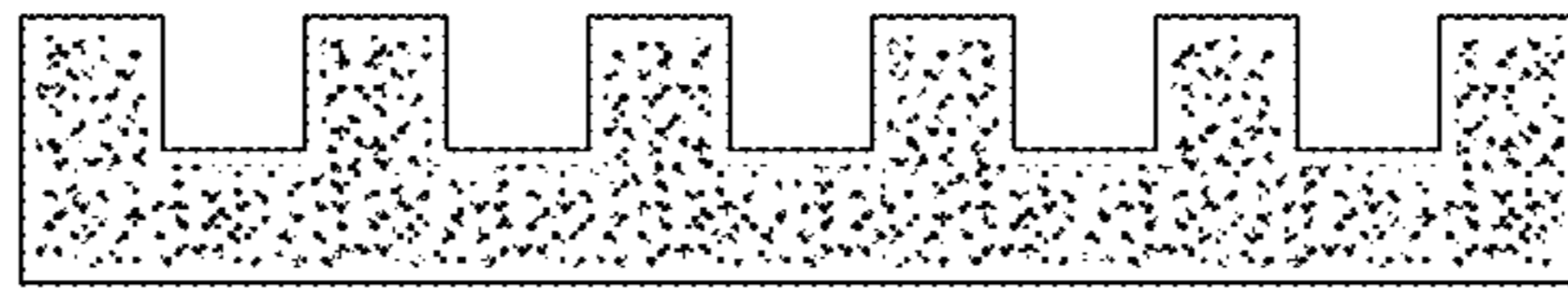


FIG. 5

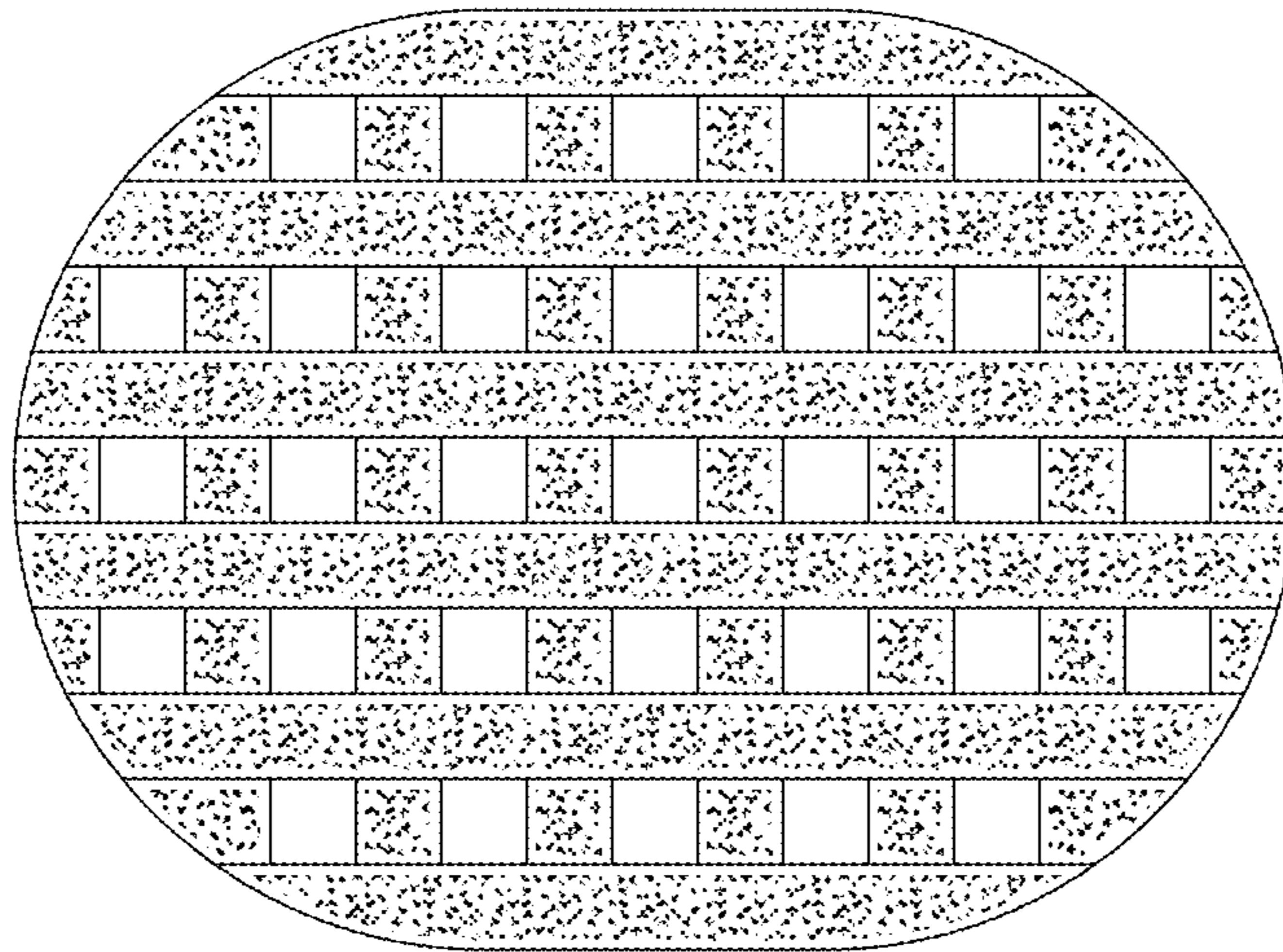


FIG. 6

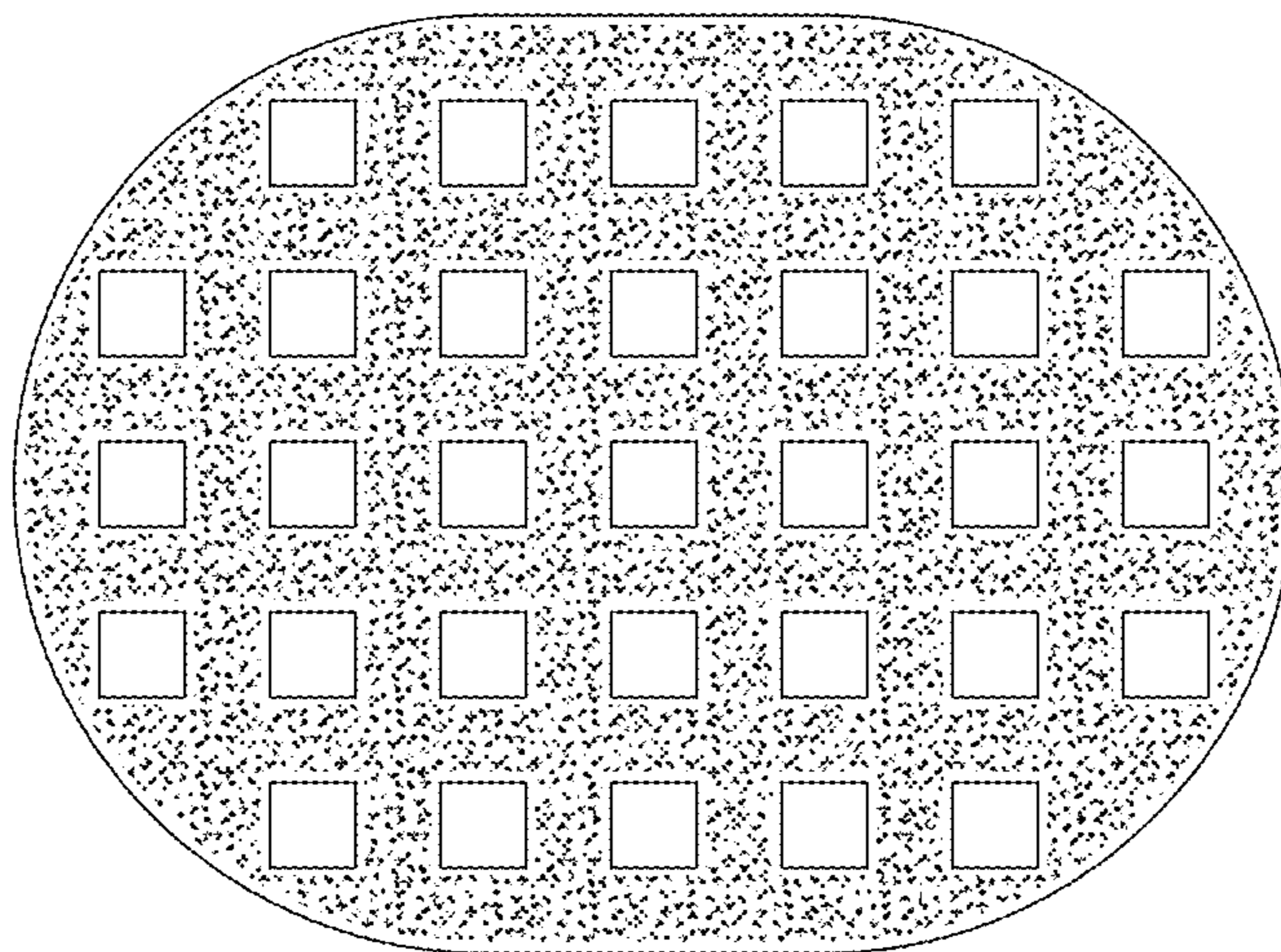


FIG. 7