



US00D942108S

(12) **United States Design Patent** (10) **Patent No.:** **US D942,108 S**
Li (45) **Date of Patent:** **** Jan. 25, 2022**

(54) **FORKLIFT**

(71) Applicant: **HANGZHOU HIKROBOT TECHNOLOGY CO., LTD**, Hangzhou (CN)

(72) Inventor: **Kongxin Li**, Hangzhou (CN)

(73) Assignee: **HANGZHOU HIKROBOT TECHNOLOGY CO., LTD**, Hangzhou (CN)

(**) Term: **15 Years**

(21) Appl. No.: **29/709,542**

(22) Filed: **Oct. 15, 2019**

(30) **Foreign Application Priority Data**

Apr. 16, 2019 (CN) 201930174283.5

(51) **LOC (13) Cl.** **12-05**

(52) **U.S. Cl.**
USPC **D34/34**

(58) **Field of Classification Search**
USPC D34/28–38
CPC B66F 7/00; B66F 7/10; B66F 7/24; B66F 9/061; B66F 9/063; B66F 9/24
See application file for complete search history.

(56) **References Cited**

U.S. PATENT DOCUMENTS

3,587,784 A * 6/1971 Tait B66F 9/22
187/226
D623,820 S * 9/2010 Masalin D34/34
D895,221 S * 9/2020 Nilsson D34/34
2011/0120807 A1 * 5/2011 Persson B66F 9/085
187/237
2018/0354760 A1 * 12/2018 Elliott G01S 5/0289

(Continued)

OTHER PUBLICATIONS

HikRobot, announced 2019 [online], [site visited Mar. 22, 2021]. Available from internet, URL: <https://en.hikrobotics.com/mobilerobot/FMR> (Year: 2019).*

Primary Examiner — George A Bugg

Assistant Examiner — Tamara L Hahn

(74) *Attorney, Agent, or Firm* — Norton Rose Fulbright US LLP

(57) **CLAIM**

The ornamental design for a forklift, as shown and described.

DESCRIPTION

The patent or application file contains at least one drawing executed in color. Copies of this patent or patent application publication with color drawing(s) will be provided by the Office upon request and payment of the necessary fee.

FIG. 1 is a front elevation view of a forklift according to a first embodiment of my new design;

FIG. 2 is a back elevation view thereof;

FIG. 3 is a left side elevation view thereof;

FIG. 4 is a right side elevation view thereof;

FIG. 5 is a top plan view of thereof;

FIG. 6 is a bottom plan view thereof;

FIG. 7 is a perspective view thereof;

FIG. 8 is another perspective view thereof;

FIG. 9 is a front elevation view of a forklift according to a second embodiment of my new design;

FIG. 10 is a back elevation view thereof;

FIG. 11 is a left side elevation view thereof;

FIG. 12 is a right side elevation view thereof;

FIG. 13 is a top plan view thereof;

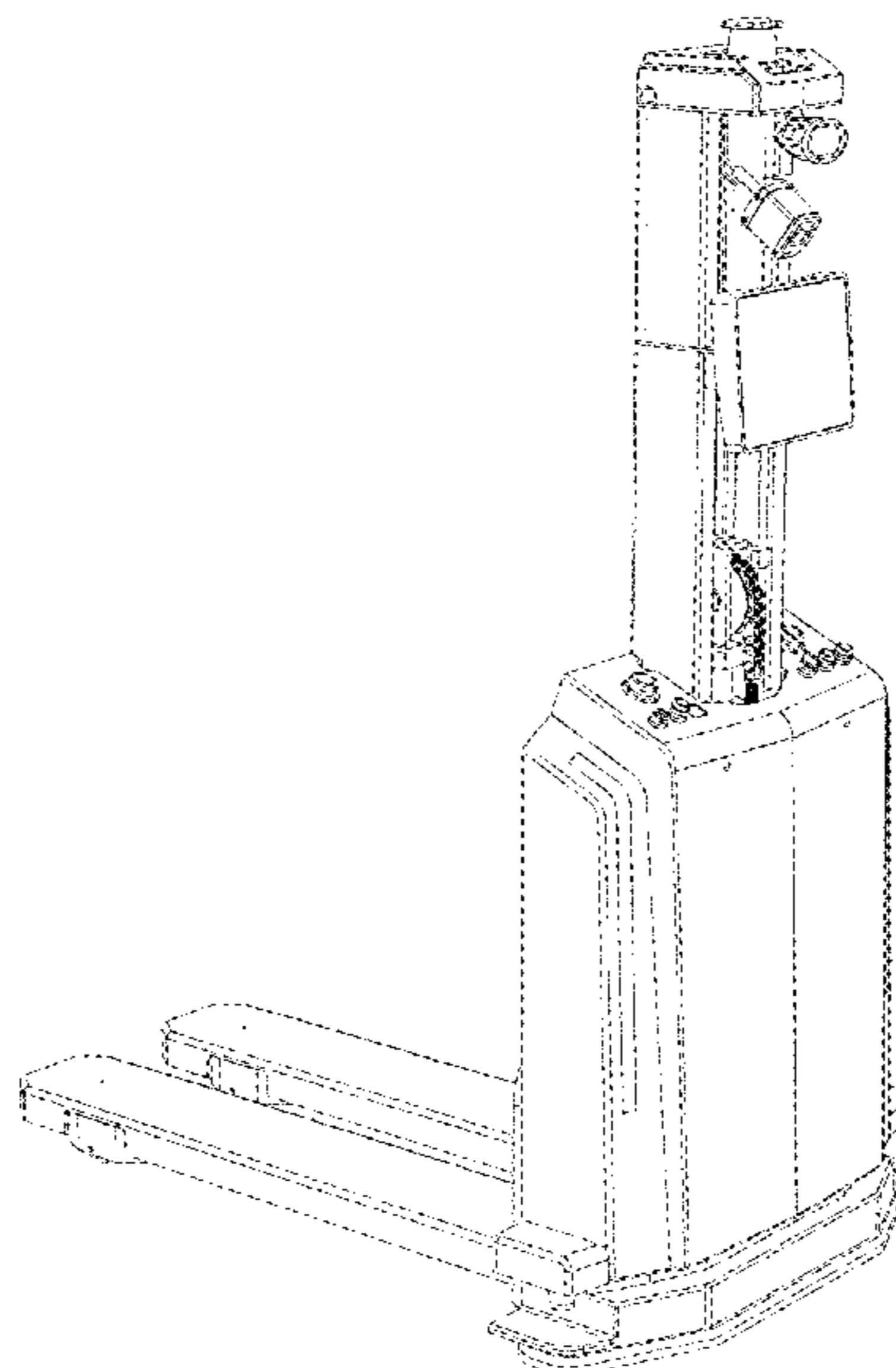
FIG. 14 is a bottom plan view thereof;

FIG. 15 is a perspective view thereof; and,

FIG. 16 is another perspective view thereof.

The broken lines in FIG. 6 depict portions of the forklift which form no part of the claimed design.

1 Claim, 12 Drawing Sheets
(4 of 12 Drawing Sheet(s) Filed in Color)



(56)

References Cited

U.S. PATENT DOCUMENTS

2020/0239293 A1* 7/2020 Onishi B66F 9/24
2020/0262690 A1* 8/2020 Okroy B66F 9/24

* cited by examiner

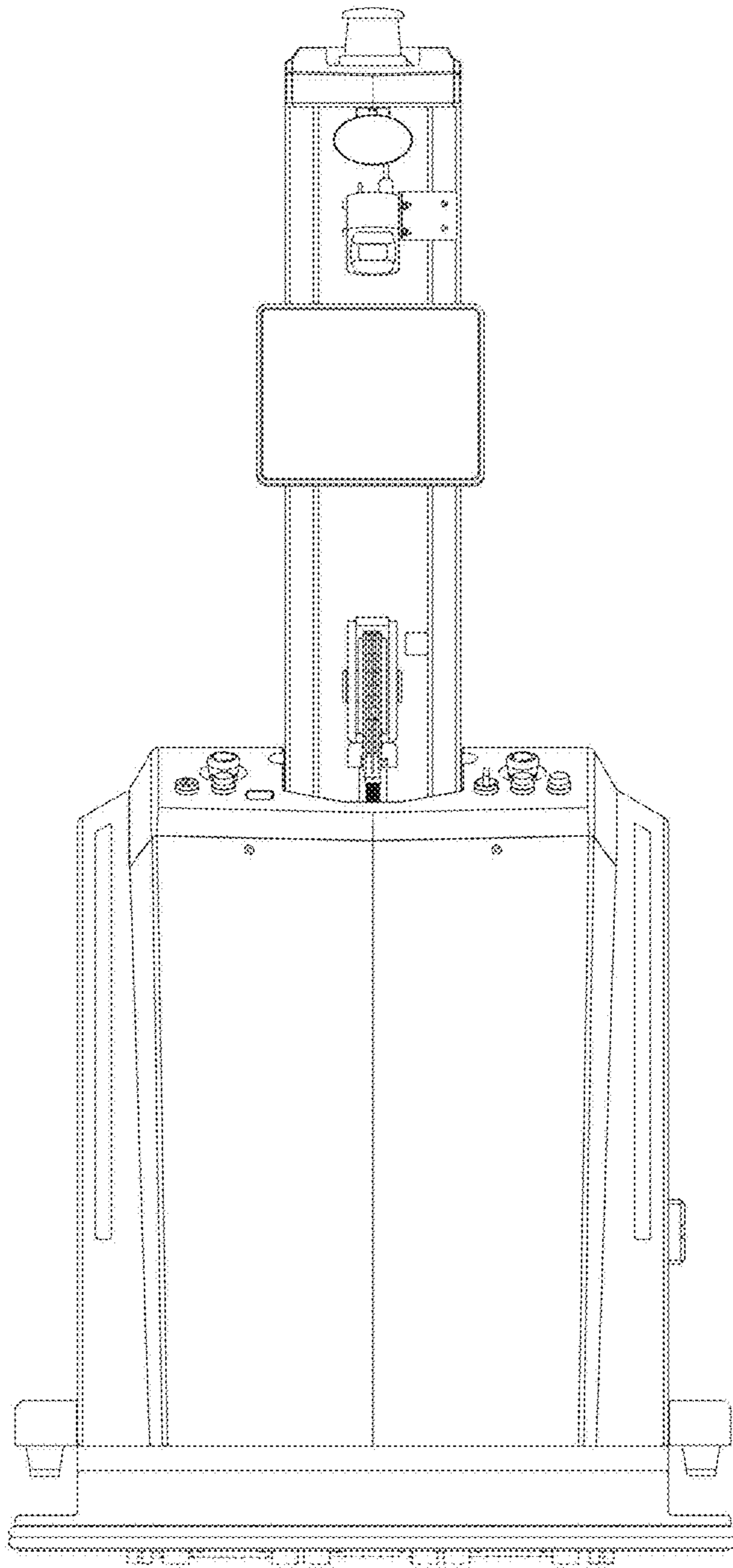


FIG. 1

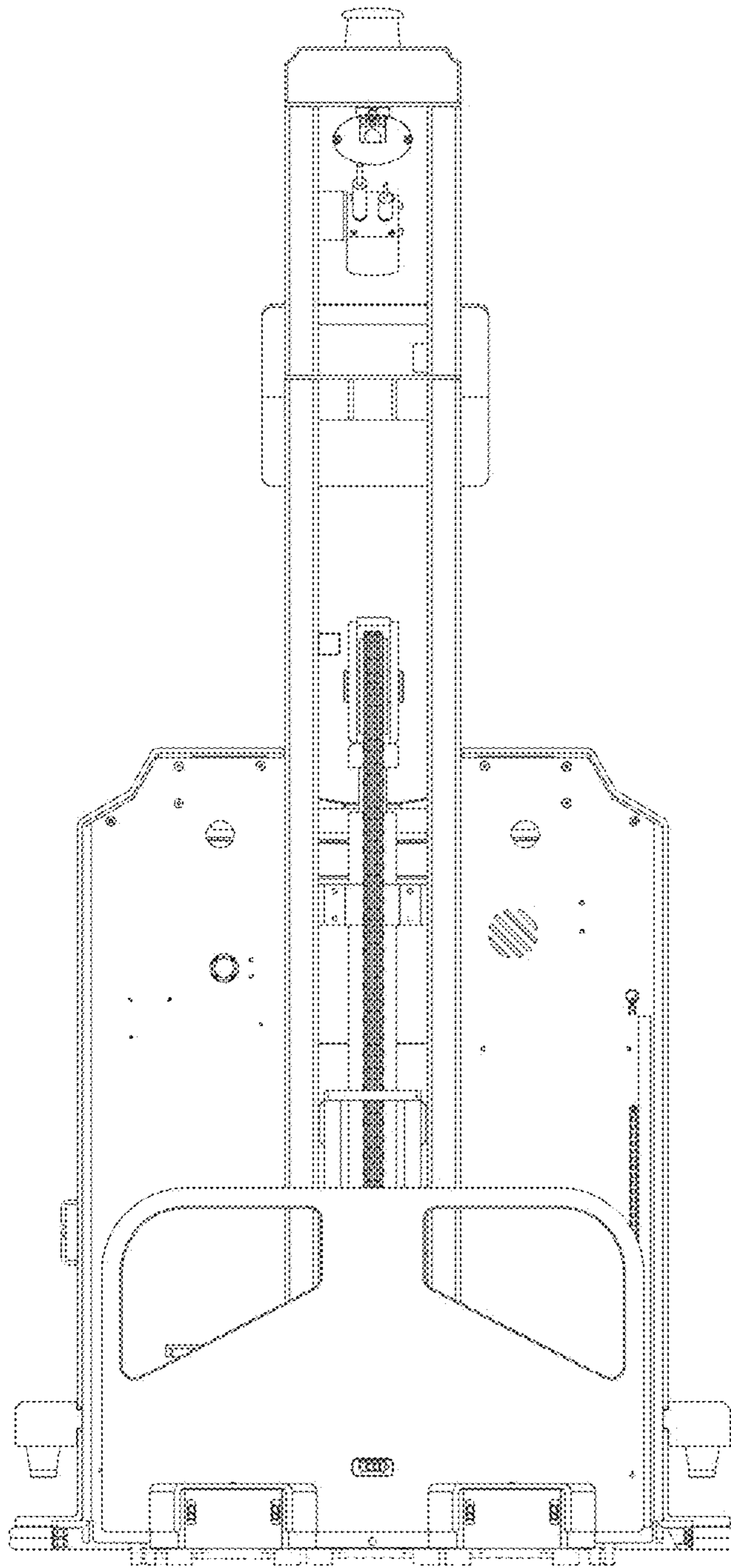


FIG. 2

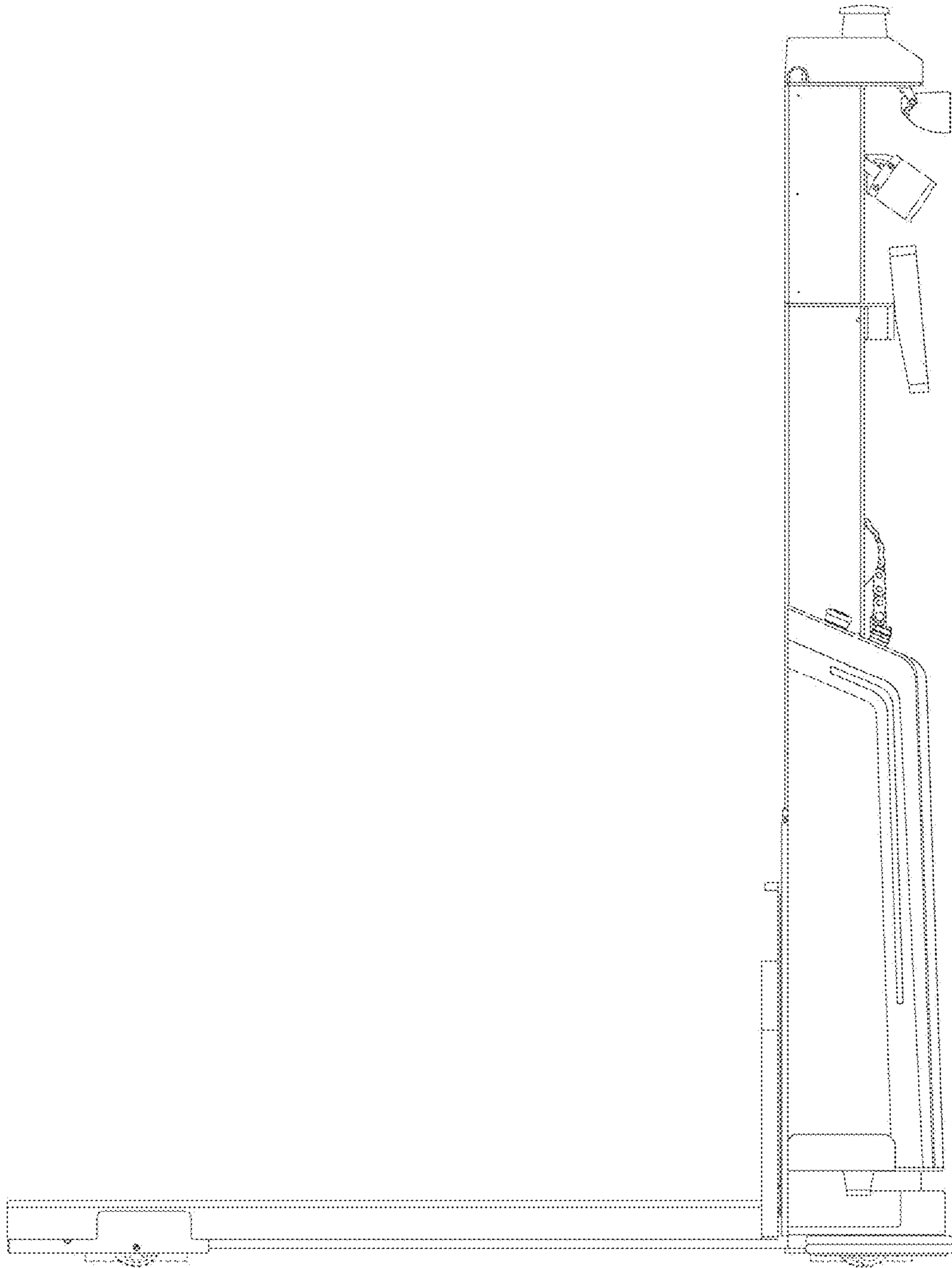


FIG. 3

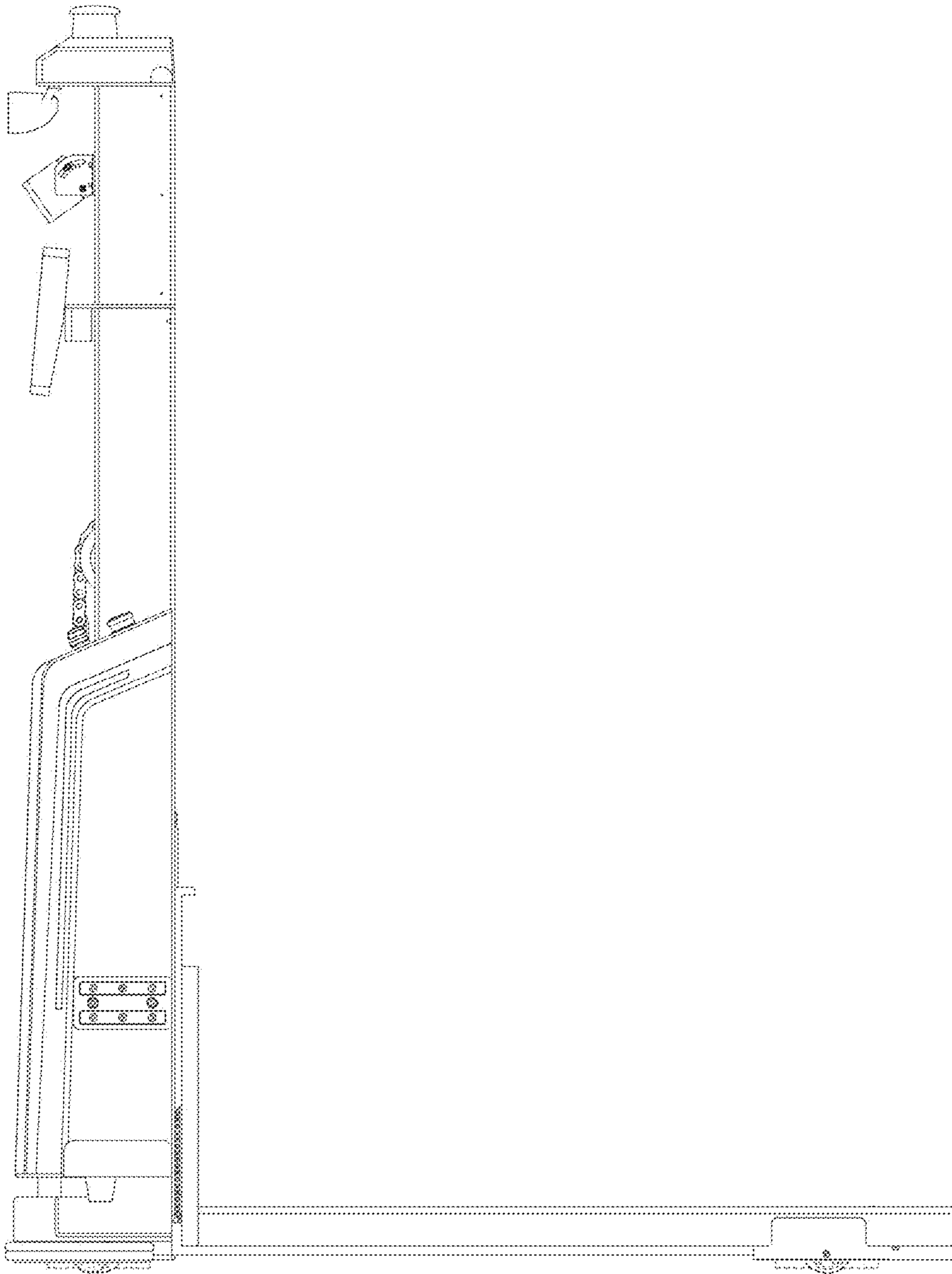


FIG. 4

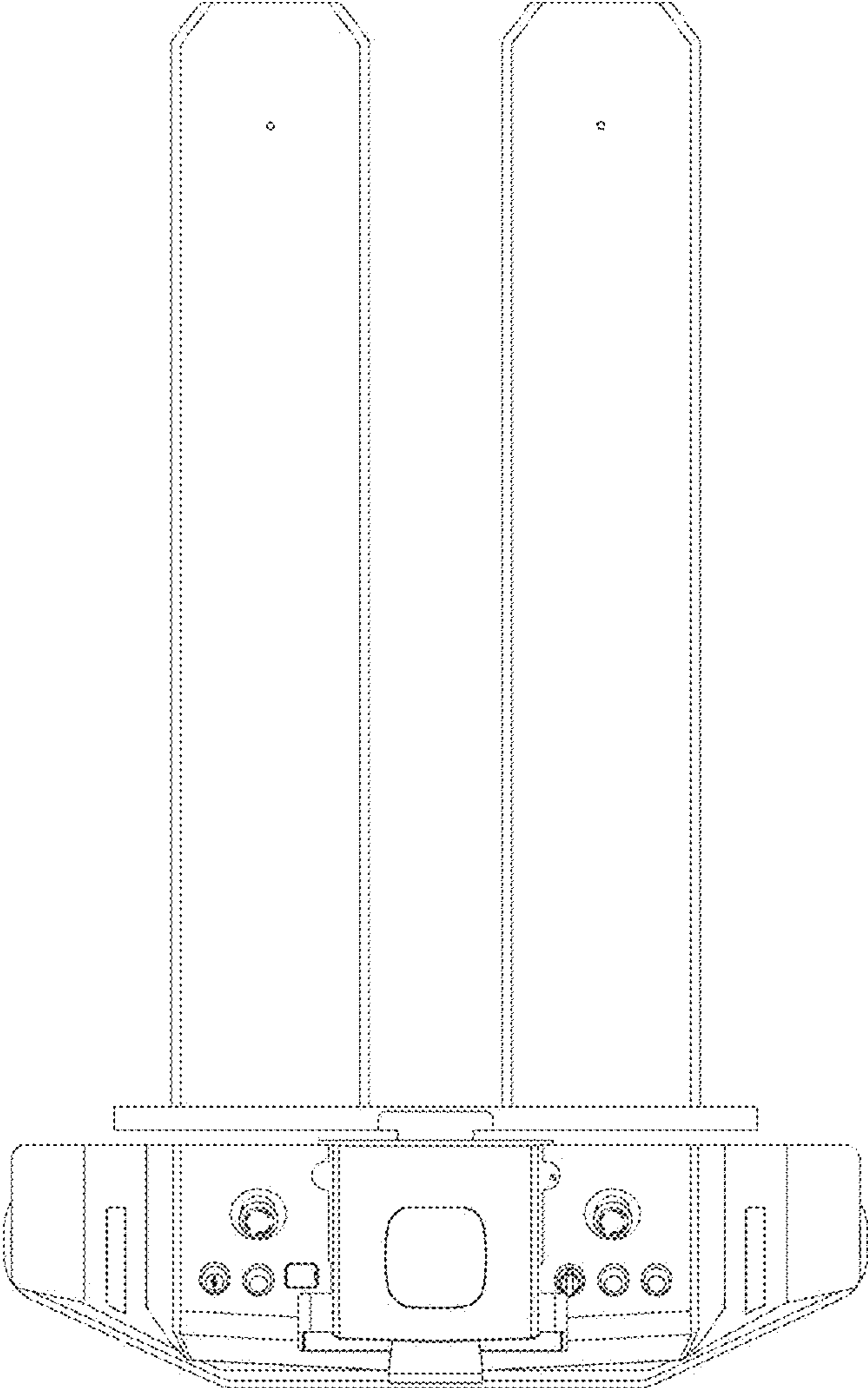


FIG. 5

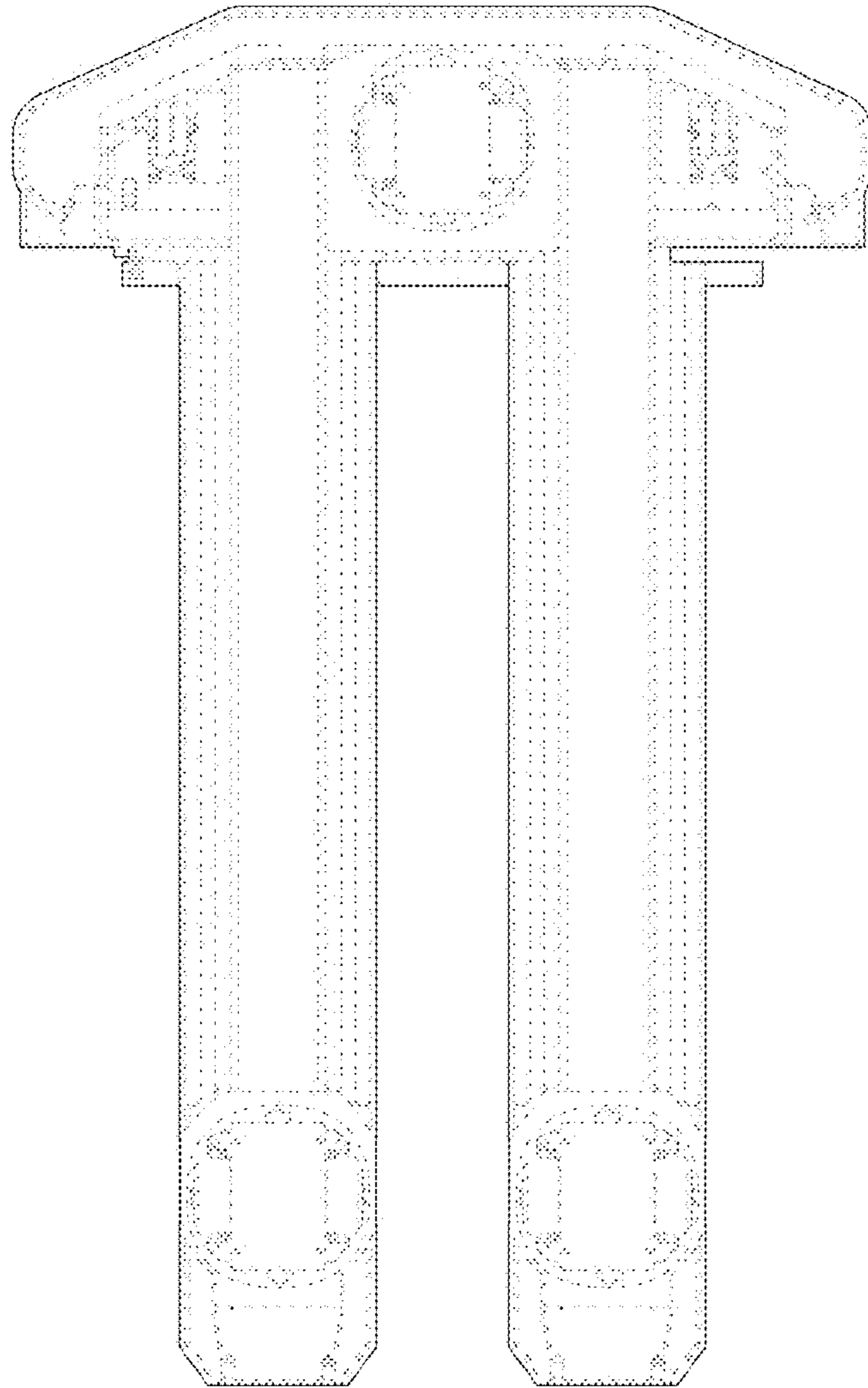


FIG. 6

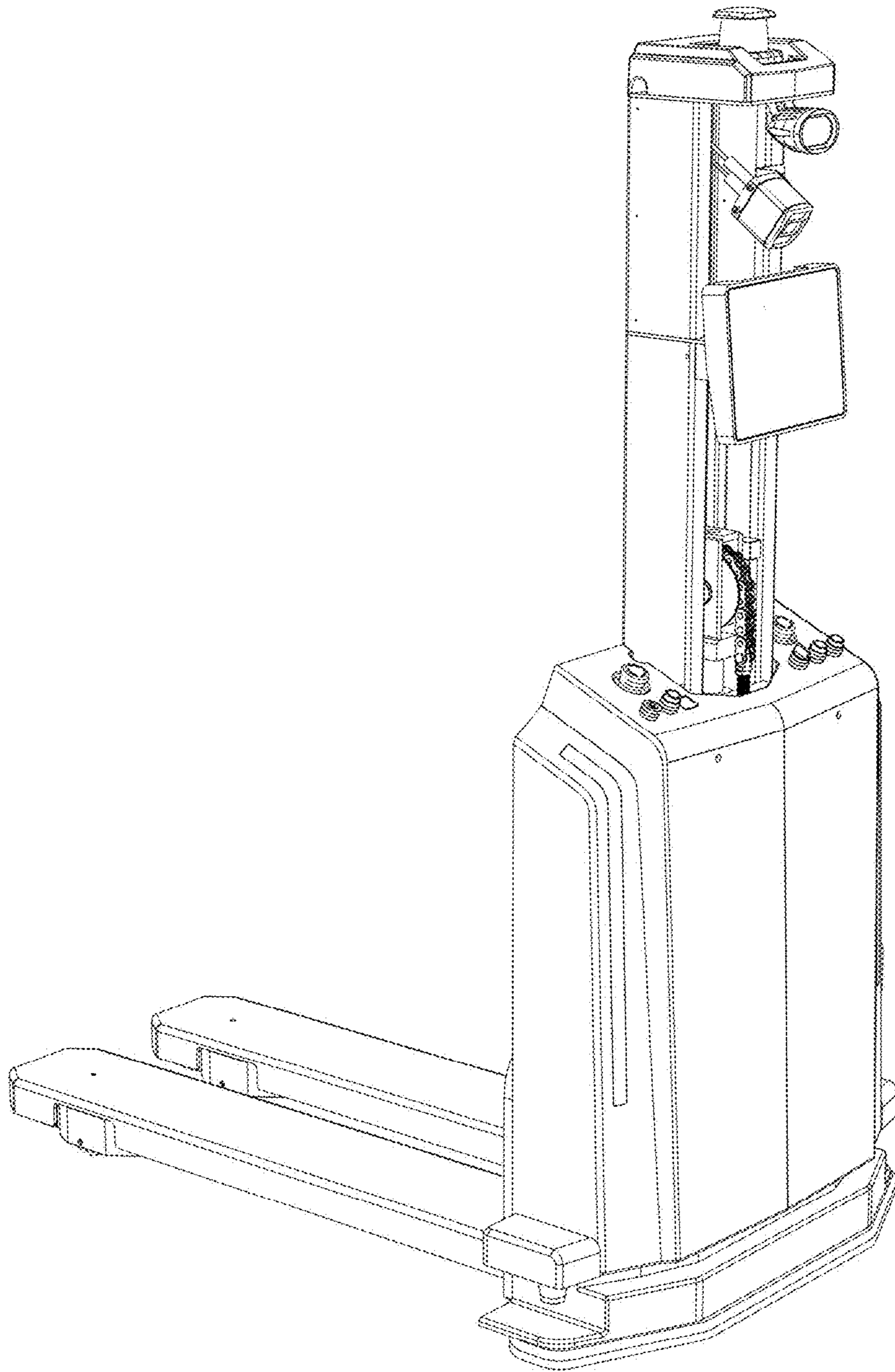


FIG. 7

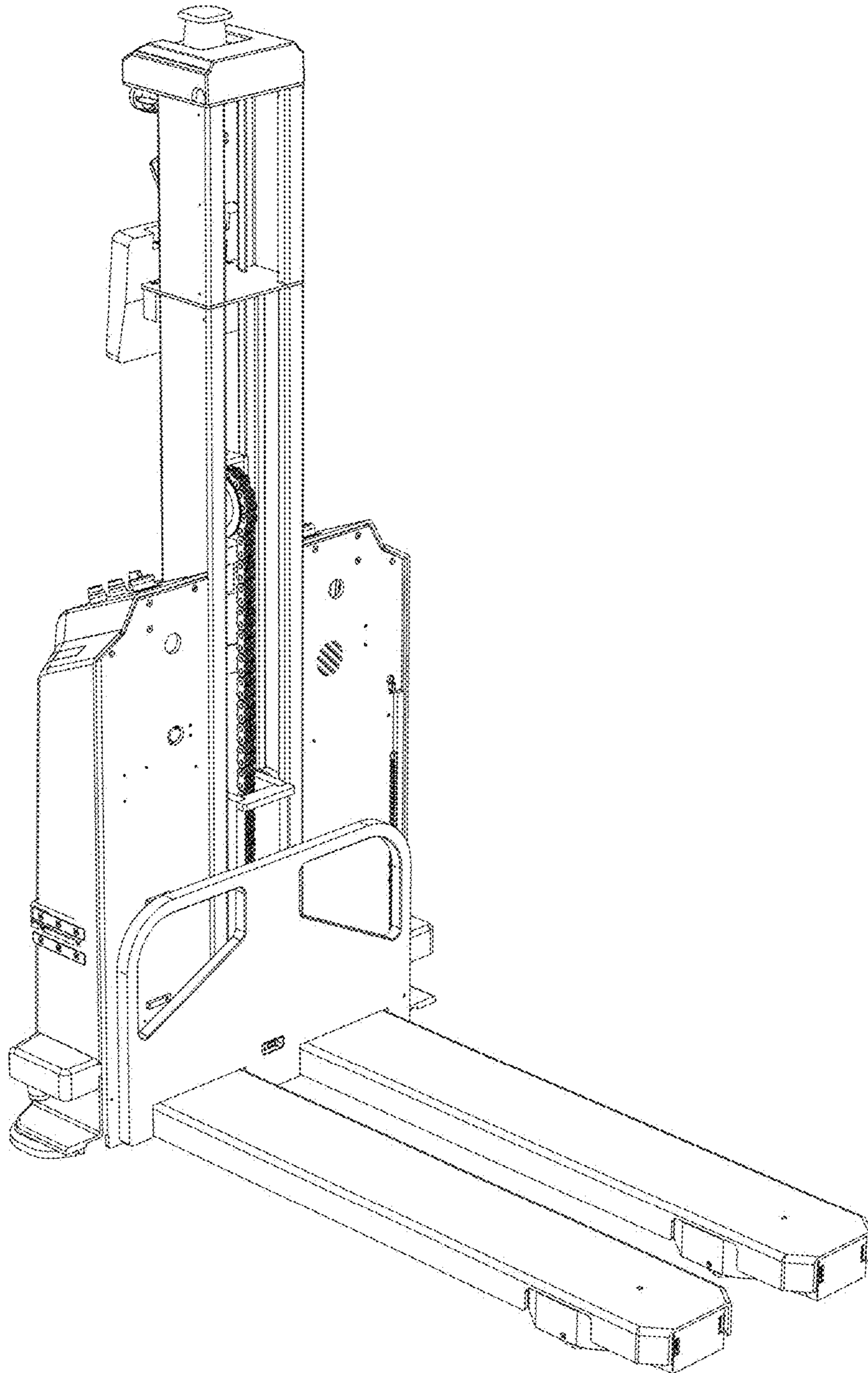


FIG. 8

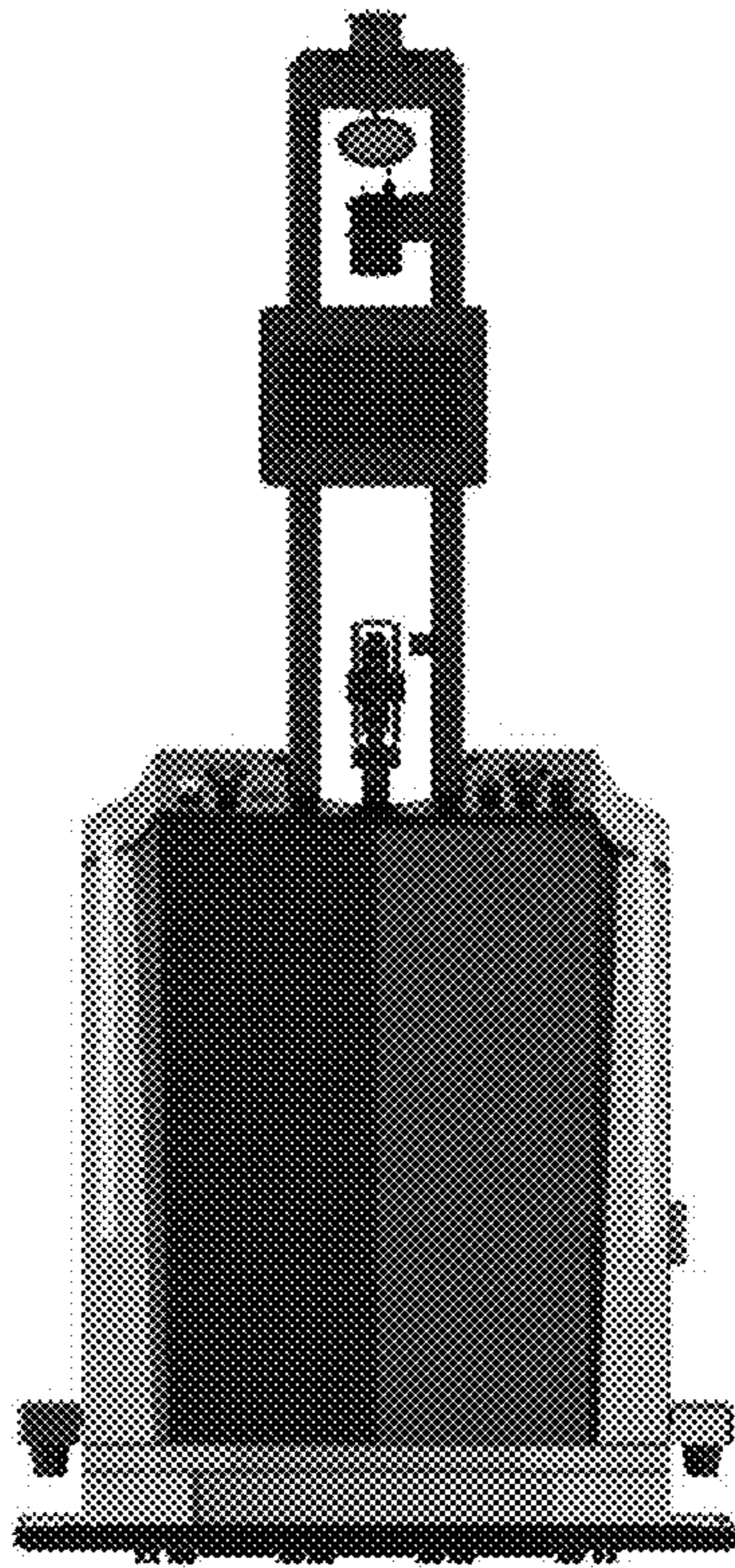


FIG. 9

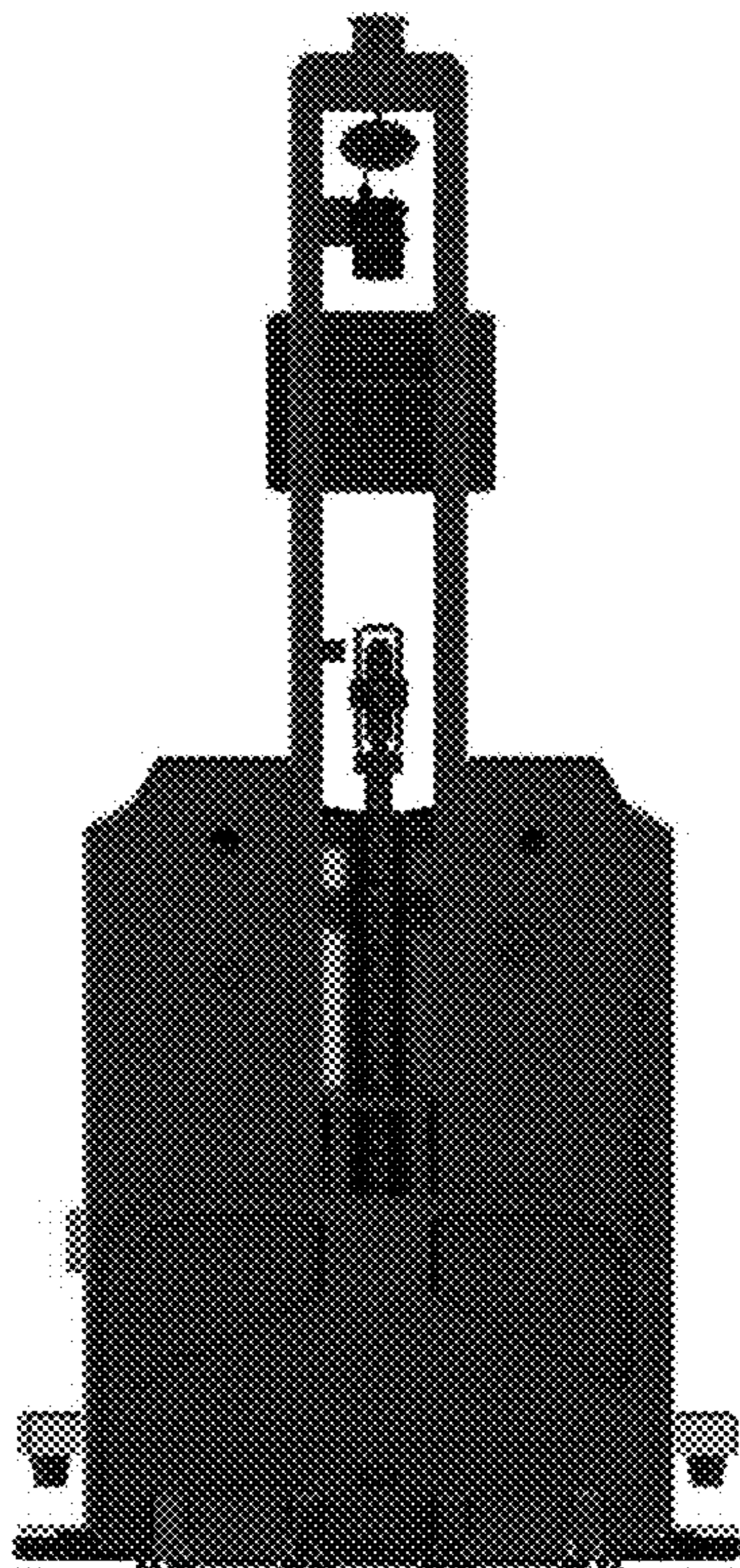


FIG. 10

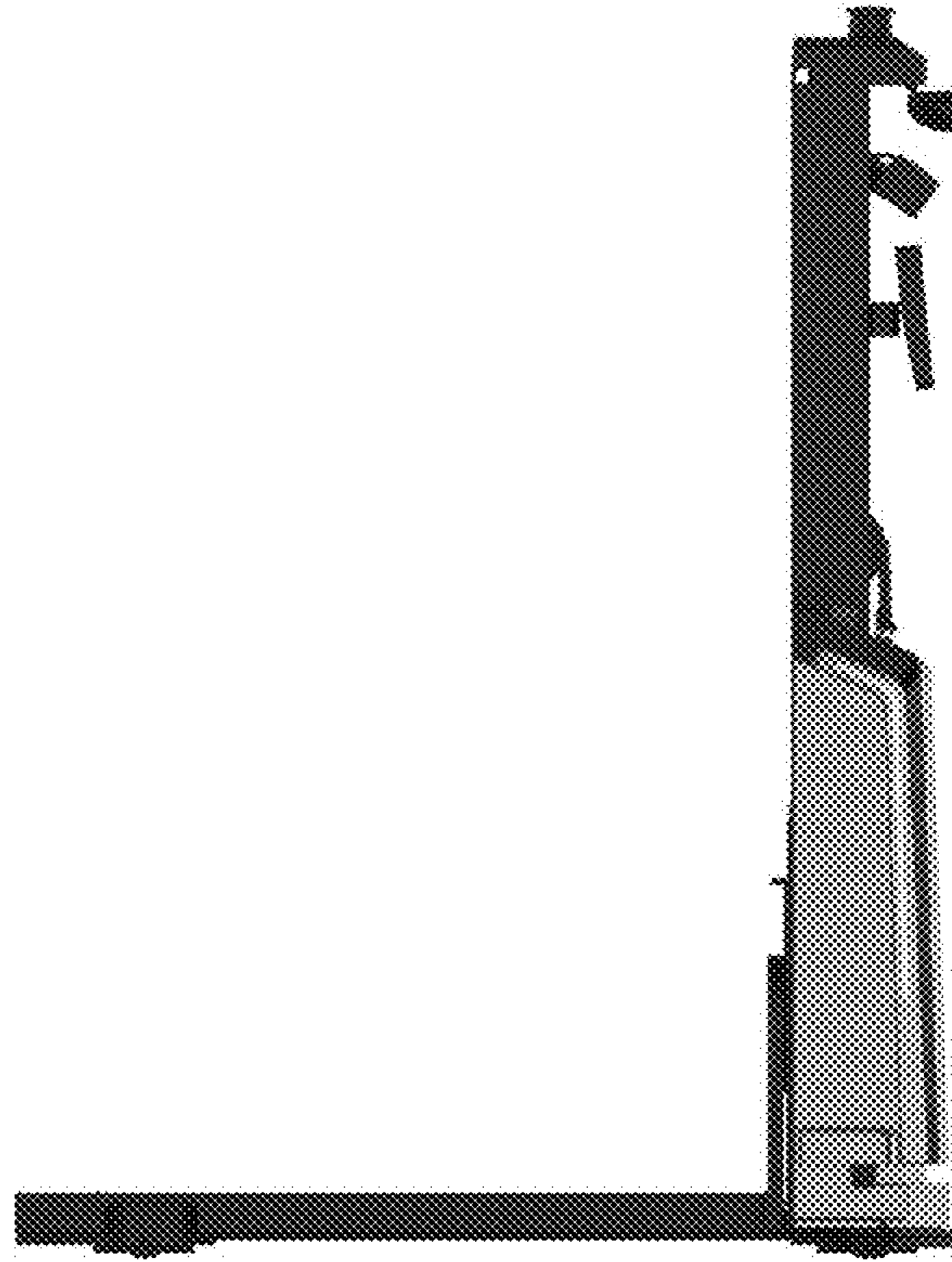


FIG. 11

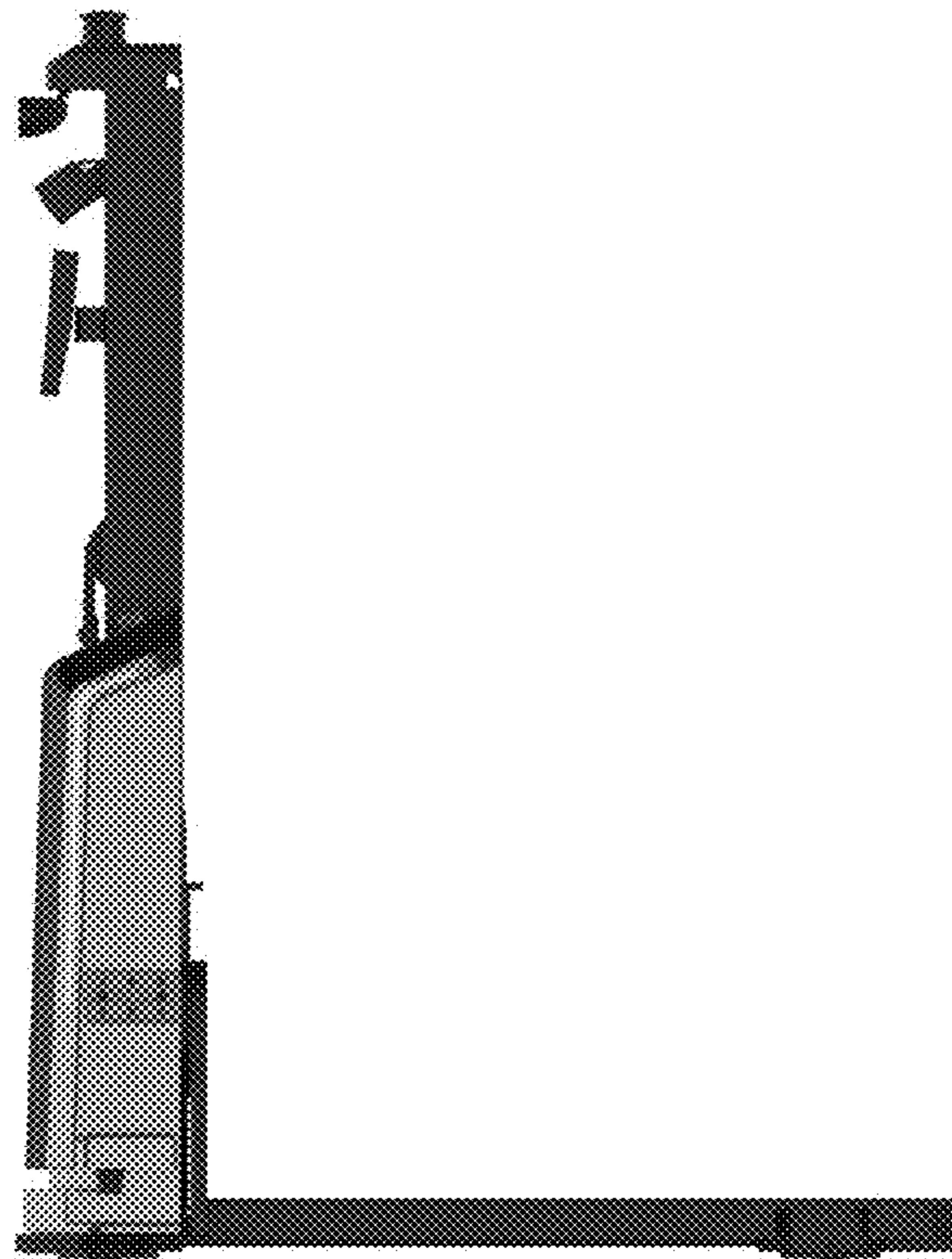


FIG. 12

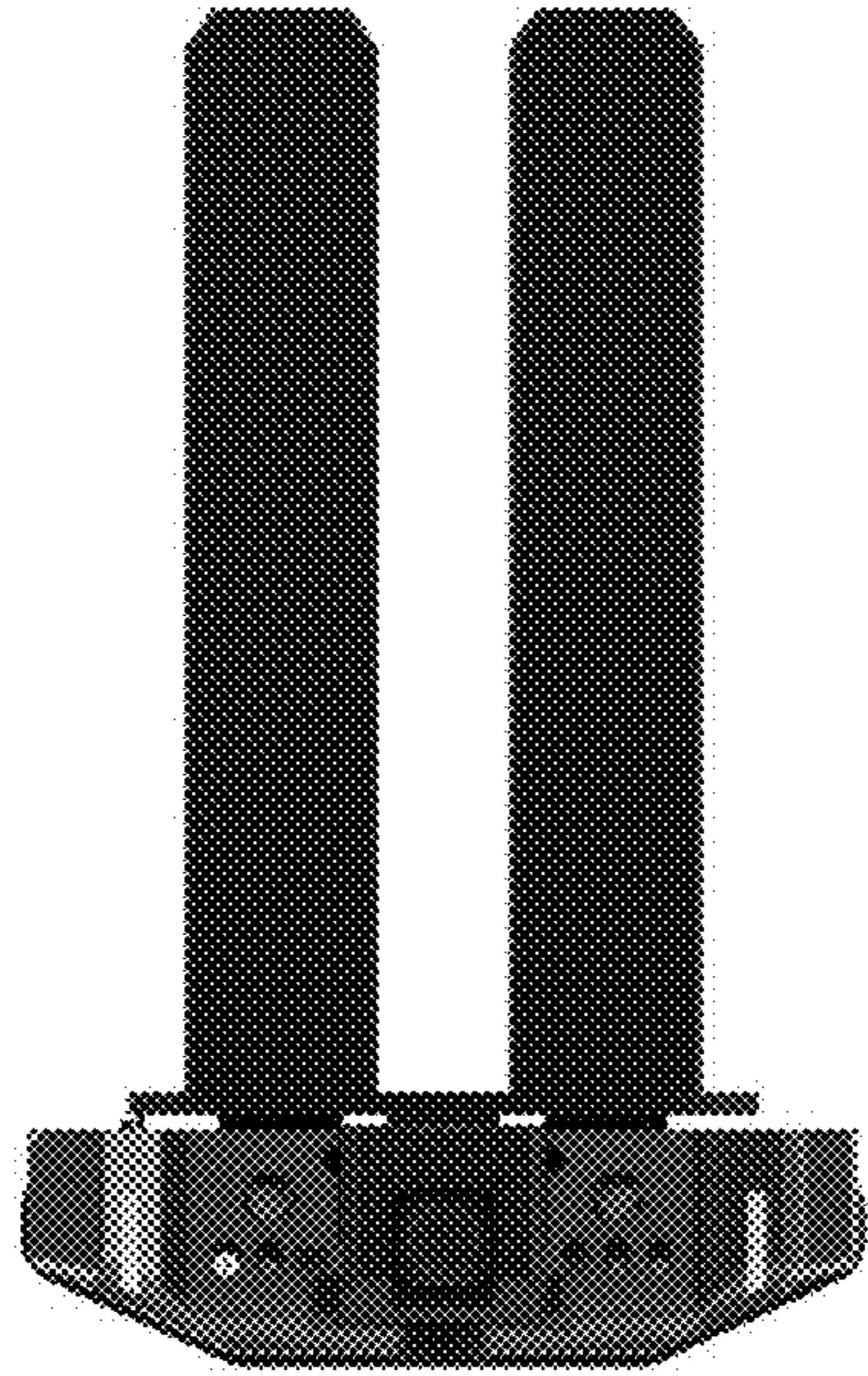


FIG. 13

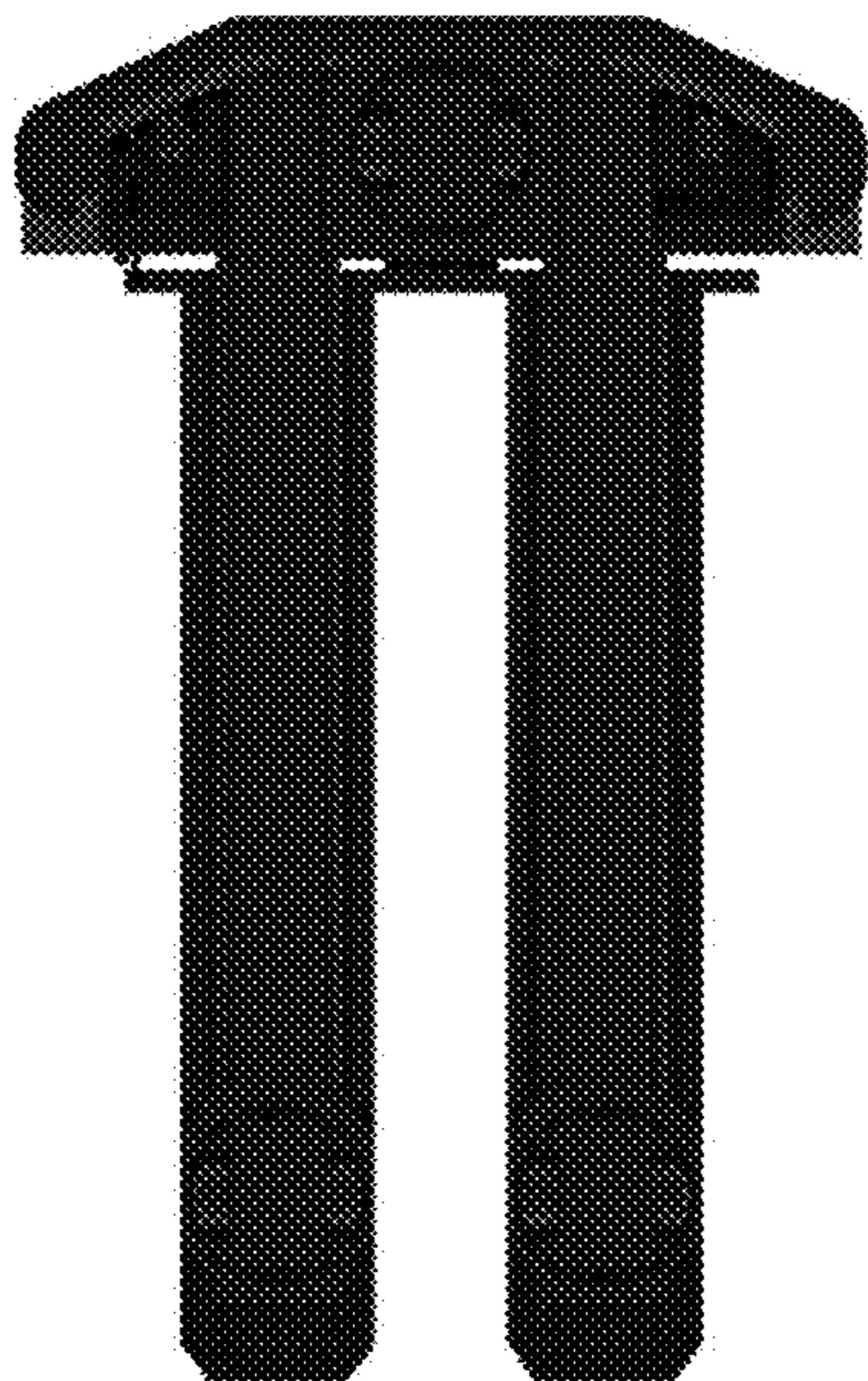


FIG. 14

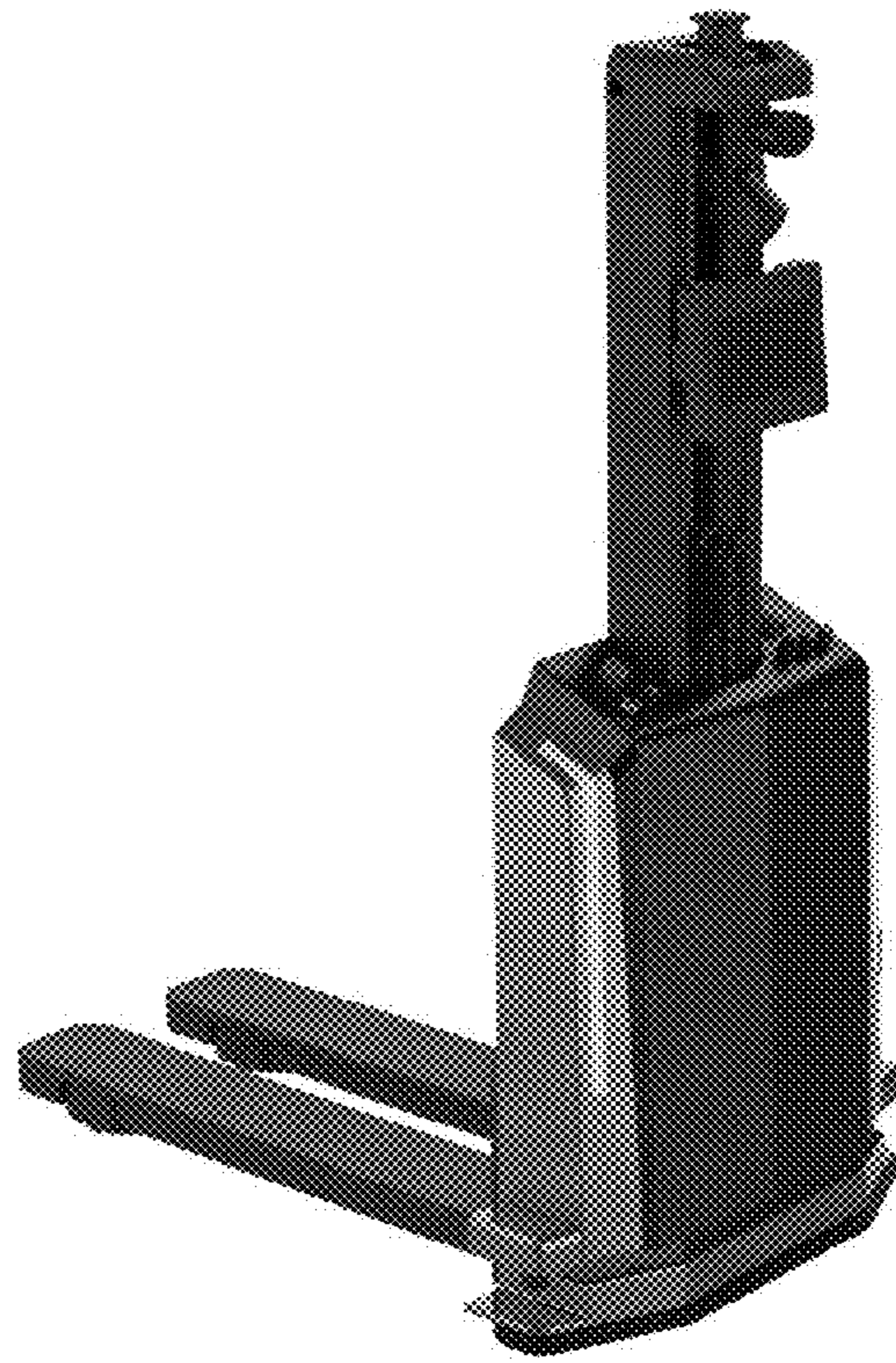


FIG. 15

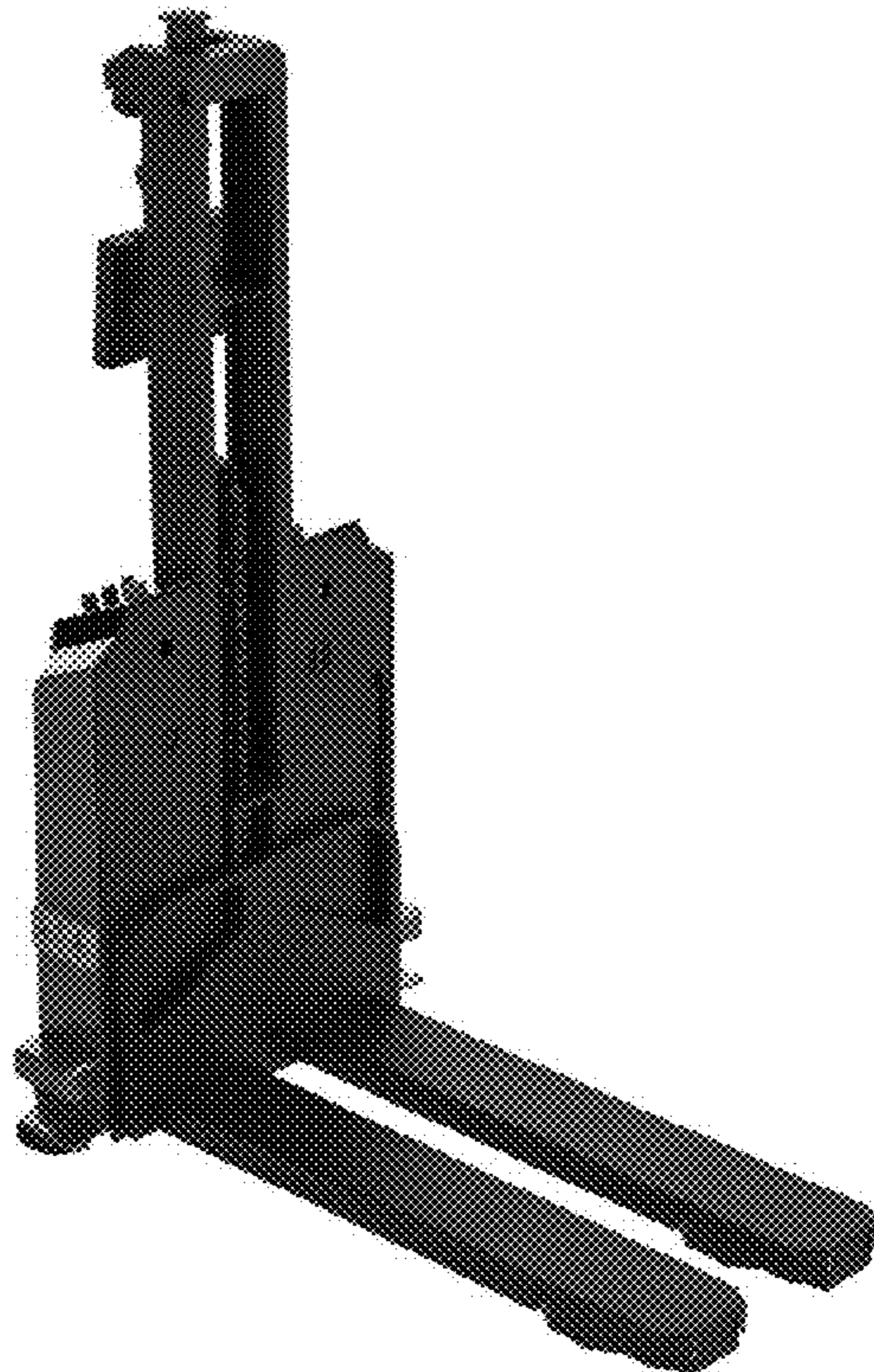


FIG. 16