

US00D942107S

(12) **United States Design Patent** (10) **Patent No.:** **US D942,107 S**  
**Ren** (45) **Date of Patent:** **\*\* Jan. 25, 2022**

(54) **SHOPPING CART**

(71) Applicant: **QING DAO YOU TU INTERNATIONAL SUPPLY CHAIN MANAGEMENT CO., LTD.**, Qingdao (CN)

(72) Inventor: **Lei Ren**, Linyi (CN)

(73) Assignee: **QING DAO YOU TU INTERNATIONAL SUPPLY CHAIN MANAGEMENT CO., LTD.**, Qingdao (CN)

(\*\*) Term: **15 Years**

(21) Appl. No.: **29/764,804**

(22) Filed: **Jan. 4, 2021**

(51) **LOC (13) Cl.** ..... **12-02**

(52) **U.S. Cl.**  
USPC ..... **D34/24**

(58) **Field of Classification Search**  
USPC ..... D34/12, 17, 24, 25, 26, 27  
(Continued)

(56) **References Cited**

**U.S. PATENT DOCUMENTS**

D201,547 S \* 7/1965 Krueger ..... D34/26  
D285,019 S \* 8/1986 Jackmore ..... D34/26  
(Continued)

**OTHER PUBLICATIONS**

Google search Sep. 27, 2021, ROYWY Folding Shopping Trolley with Seat for Disabled 6 Wheel Shopping Trolley Bag,Foldable Compact Grocery Stair Climbing Cart/Waterproof, [https://www.naginan.com/index.php?main\\_page=product\\_info&products\\_id=577333](https://www.naginan.com/index.php?main_page=product_info&products_id=577333) (Year: 2021).\*

(Continued)

*Primary Examiner* — Cynthia Ramirez

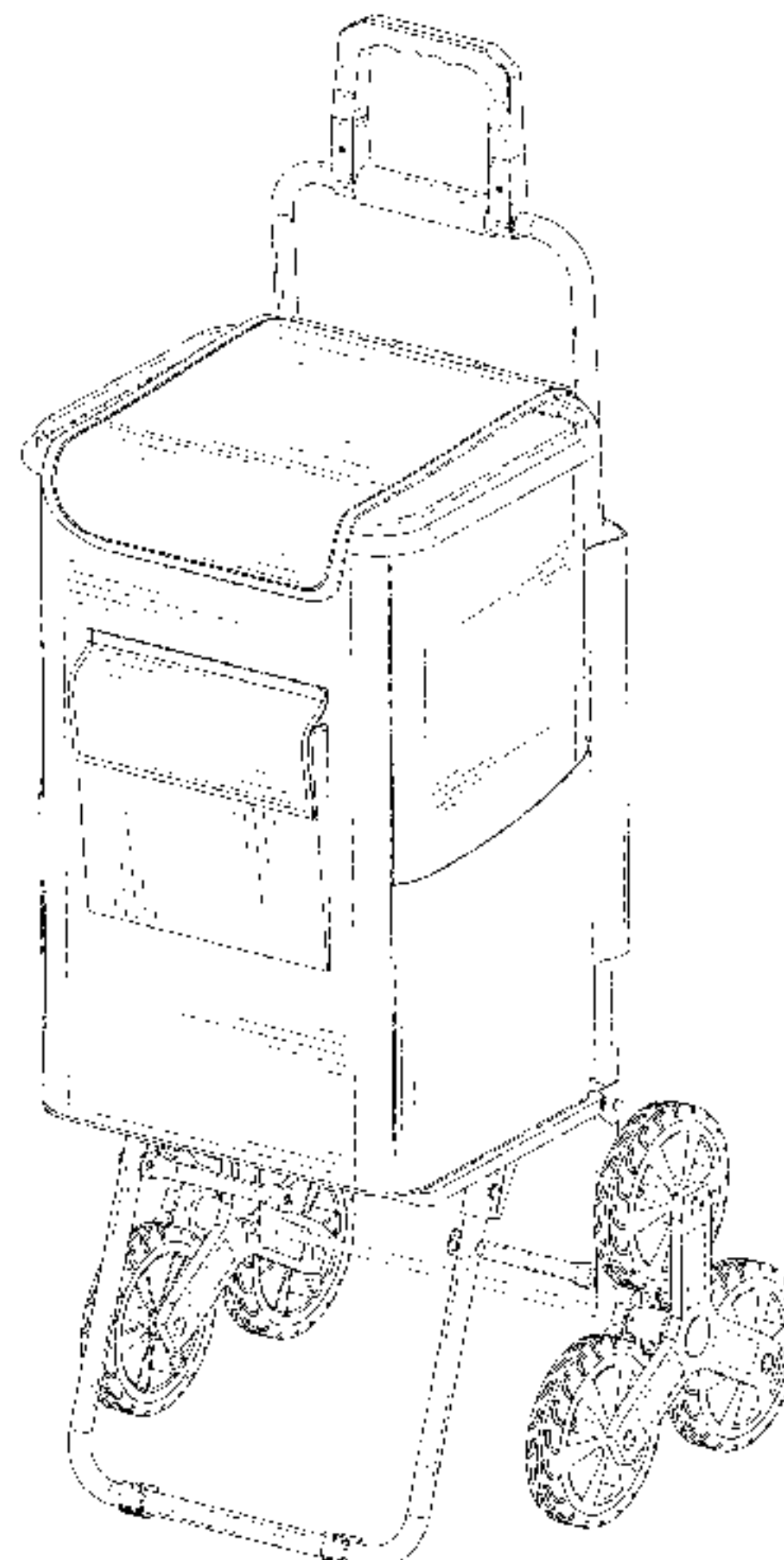
(57) **CLAIM**

The ornamental design for a shopping cart, as shown and described.

**DESCRIPTION**

FIG. 1 is a perspective view of a storage bag of a shopping cart, shown separately for ease of illustration; FIG. 2 is another perspective view thereof; FIG. 3 is a front elevational view thereof; FIG. 4 is a rear elevational view thereof; FIG. 5 is a left side elevational view thereof; FIG. 6 is a right side elevational view thereof; FIG. 7 is a top plan view thereof; FIG. 8 is a bottom plan view thereof; FIG. 9 is a perspective view of a cart frame with wheels of the shopping cart, shown separately for ease of illustration; FIG. 10 is another perspective view thereof; FIG. 11 is a front elevational view thereof; FIG. 12 is a rear elevational view thereof; FIG. 13 is a left side elevational view thereof; FIG. 14 is a right side elevational view thereof; FIG. 15 is a top plan view thereof; FIG. 16 is a bottom plan view thereof; FIG. 17 is a perspective view of the cart frame with the wheels of the shopping cart where a handle of the cart frame rotates in a first angle; FIG. 18 is a perspective view of the cart frame with the wheels of the shopping cart where the handle of the cart frame rotates in a second angle; FIG. 19 is a perspective view of the cart frame with the wheels of the shopping cart where the cart frame is in a folded state; FIG. 20 is an exploded perspective view of the shopping cart; FIG. 21 is a perspective view of the shopping cart, shown in use with the storage bog disposed on the cart frame with the wheels; FIG. 22 is another perspective view thereof; FIG. 23 is an enlarged view of portion 23 shown in FIG. 9; FIG. 24 is an enlarged view of portion 24 shown in FIG. 10; and, FIG. 25 is an enlarged view of portion 25 shown in FIG. 10.

(Continued)



The broken lines in the drawings depict portions of the shopping cart that form no part of the claimed design. The additional uneven broken lines in the figures are to show enlarged portions, and do not form part of the claimed design.

**1 Claim, 25 Drawing Sheets**

(58) **Field of Classification Search**

CPC ..... B62B 1/002; B62B 1/112; B62B 1/00;  
 B62B 1/20; B62B 1/18; B62B 1/10;  
 B62B 1/0036; B62B 2202/52; B62B  
 1/008; B62B 1/266; B62B 2205/00; B62B  
 2205/24; B62B 1/02; B62B 1/04; B62B  
 1/042; B62B 13/18

See application file for complete search history.

(56) **References Cited**

U.S. PATENT DOCUMENTS

4,974,862 A \* 12/1990 Maupin ..... B62B 1/12  
 280/47.27  
 5,273,296 A \* 12/1993 Lepek ..... A61G 5/061  
 180/8.2  
 D352,145 S \* 11/1994 Server Perez ..... D34/19  
 D547,919 S \* 7/2007 Jane Stopp ..... D34/12

D622,471 S \* 8/2010 Hernandez ..... D34/12  
 D635,732 S \* 4/2011 Stopp ..... D34/12  
 D721,464 S 1/2015 Darvish  
 9,233,700 B1 \* 1/2016 Elden ..... B62B 1/266  
 D781,521 S \* 3/2017 Server Perez ..... D34/25  
 D808,104 S \* 1/2018 Schaaper ..... D34/12  
 D821,054 S \* 6/2018 Mitchell ..... D34/27  
 D838,076 S \* 1/2019 Sharratt ..... D34/12  
 D904,716 S 12/2020 Shen  
 2002/0008367 A1 \* 1/2002 Durham ..... B62B 1/12  
 280/655.1  
 2012/0126499 A1 \* 5/2012 Nieman ..... B62B 1/042  
 280/30  
 2012/0160576 A1 \* 6/2012 Anasiewicz ..... B62B 3/02  
 180/19.1  
 2012/0160577 A1 \* 6/2012 Anasiewicz ..... B62D 51/04  
 180/19.1  
 2012/0235387 A1 \* 9/2012 Bruce ..... B62B 1/12  
 280/651  
 2019/0039635 A1 \* 2/2019 Khubani ..... B62B 5/026  
 2019/0322302 A1 \* 10/2019 Greenup ..... B62B 5/026

OTHER PUBLICATIONS

Google search Sep. 27, 2021, Lightweight Wheeled Shopping Trolley, Rolling Push Shopping Trolley Bag, Stair Climbing Shopping Grocery Laundry Utility Cart, <https://mongolia.desertcart.com/products/27510823-lightweight-wheeled-shopping-trolley-rolling-push-shopping-trolley-bag> (Year: 2021).\*

\* cited by examiner

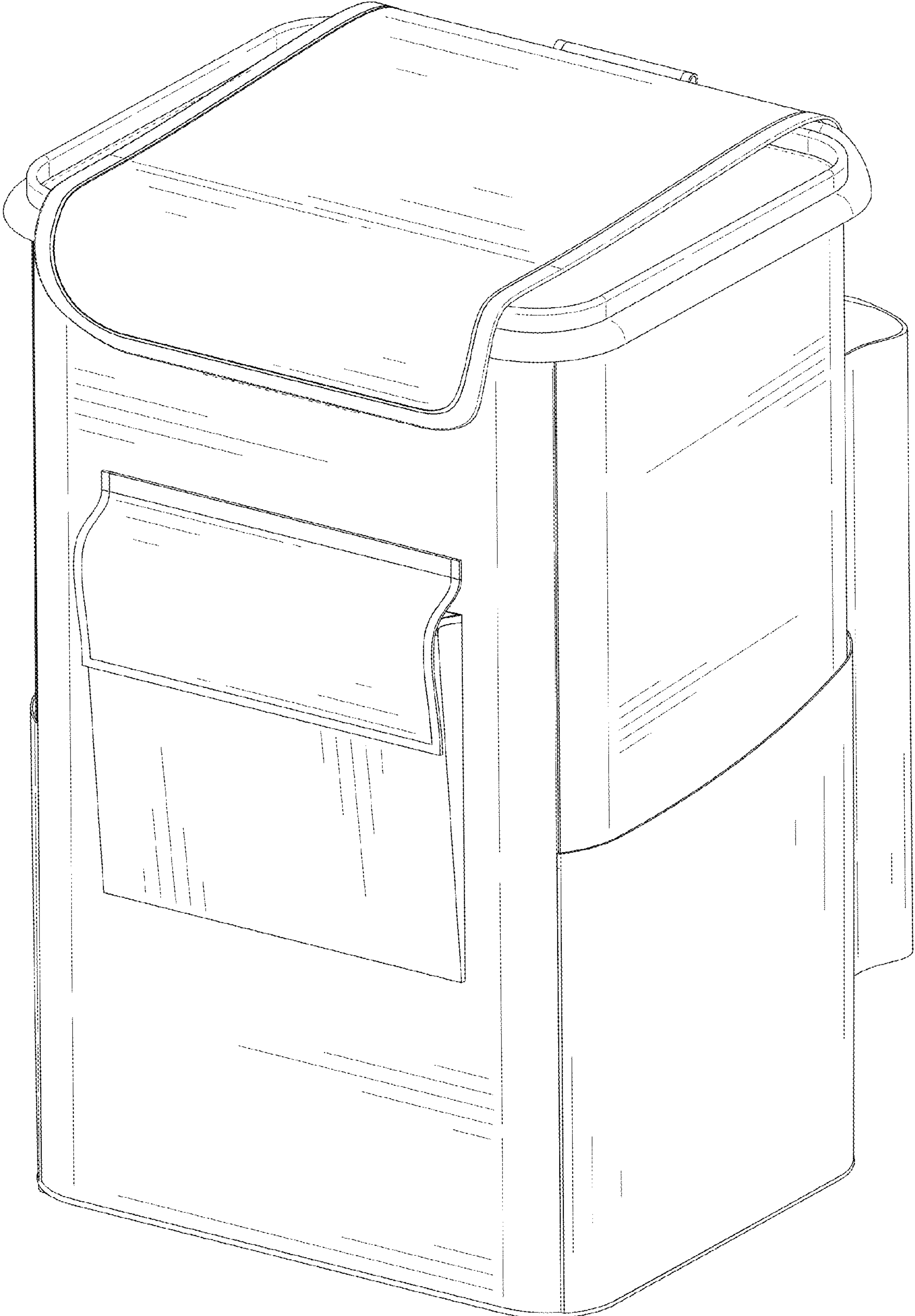


FIG. 1



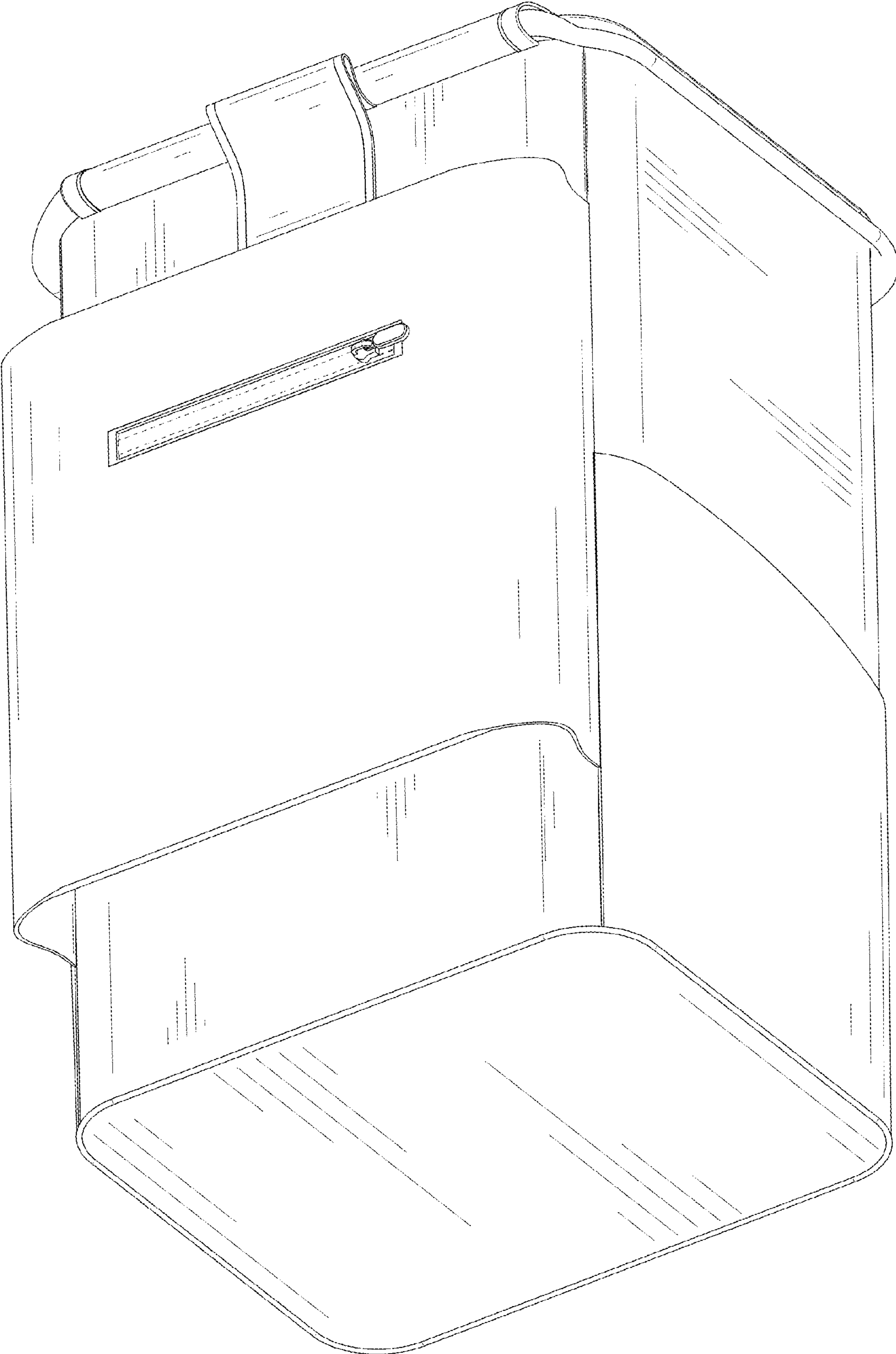


FIG. 2

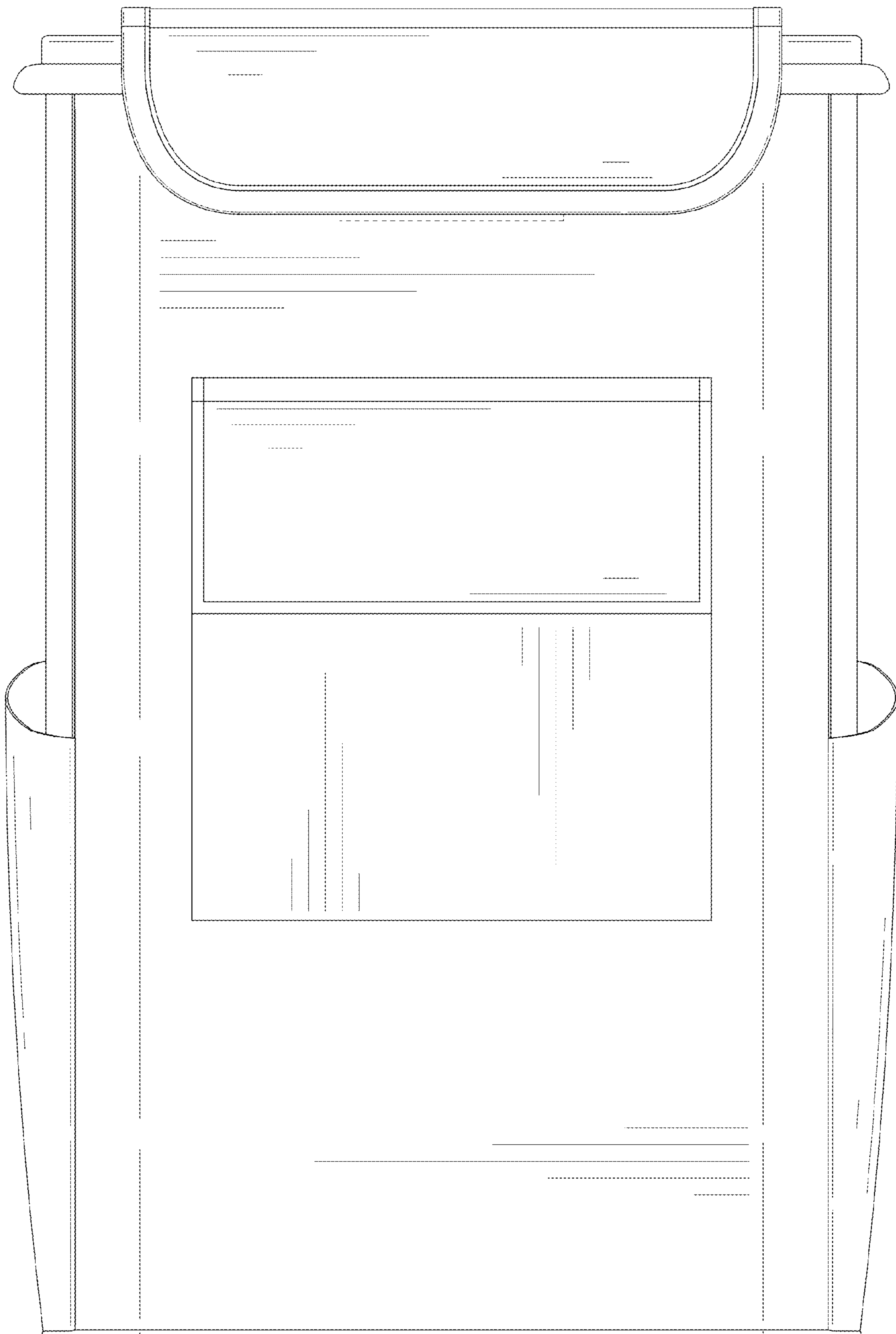


FIG. 3

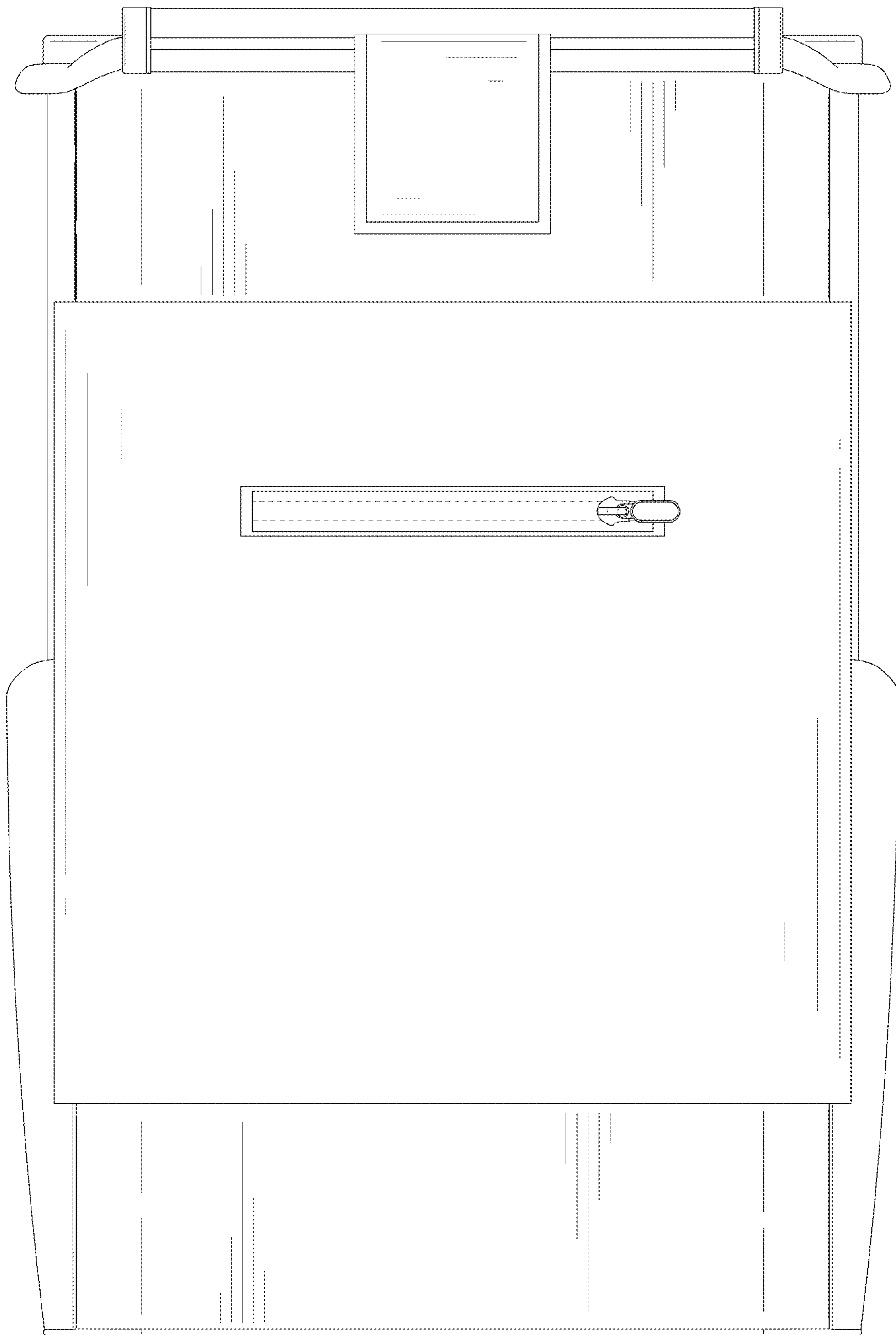


FIG. 4

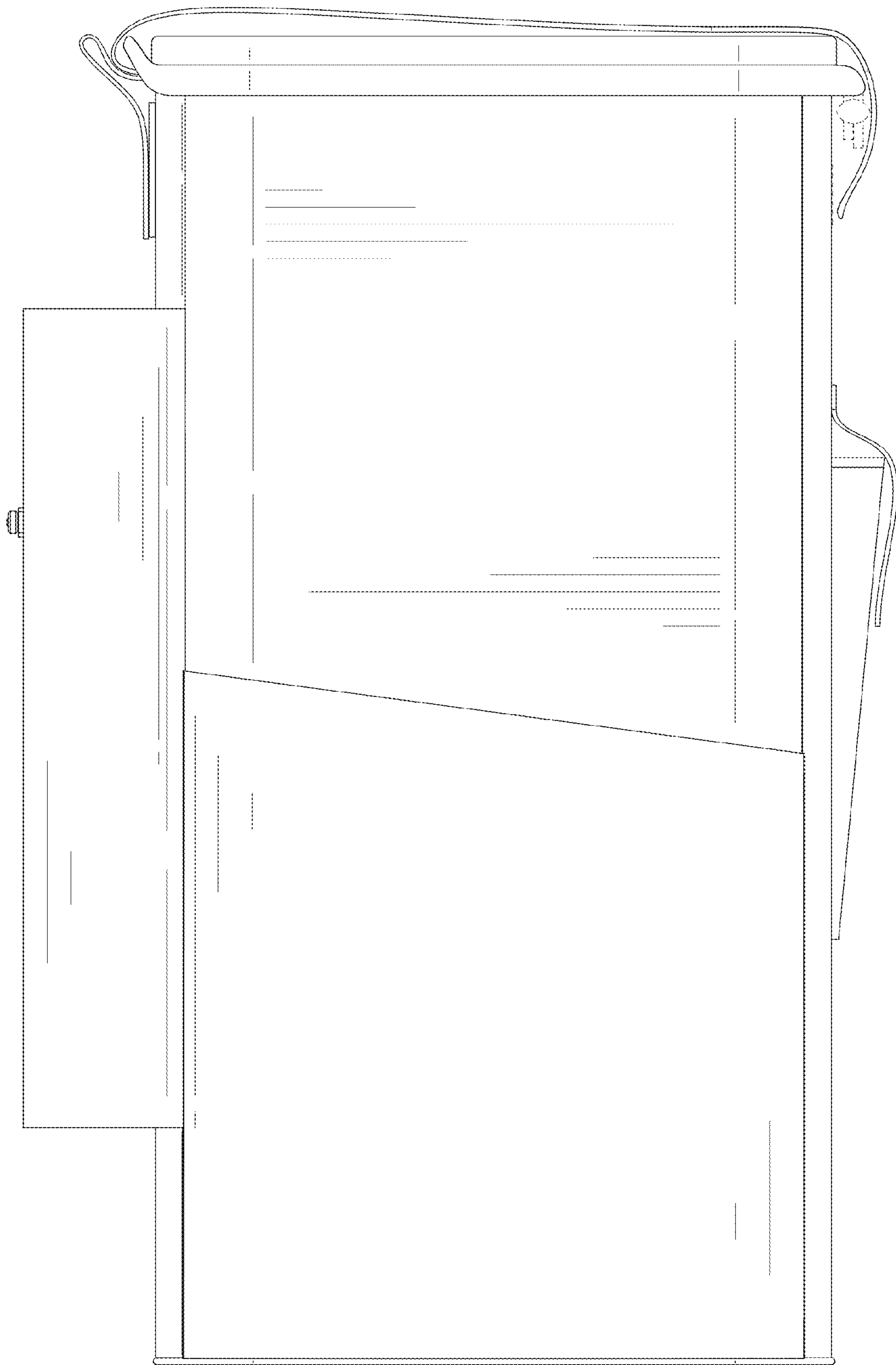


FIG. 5

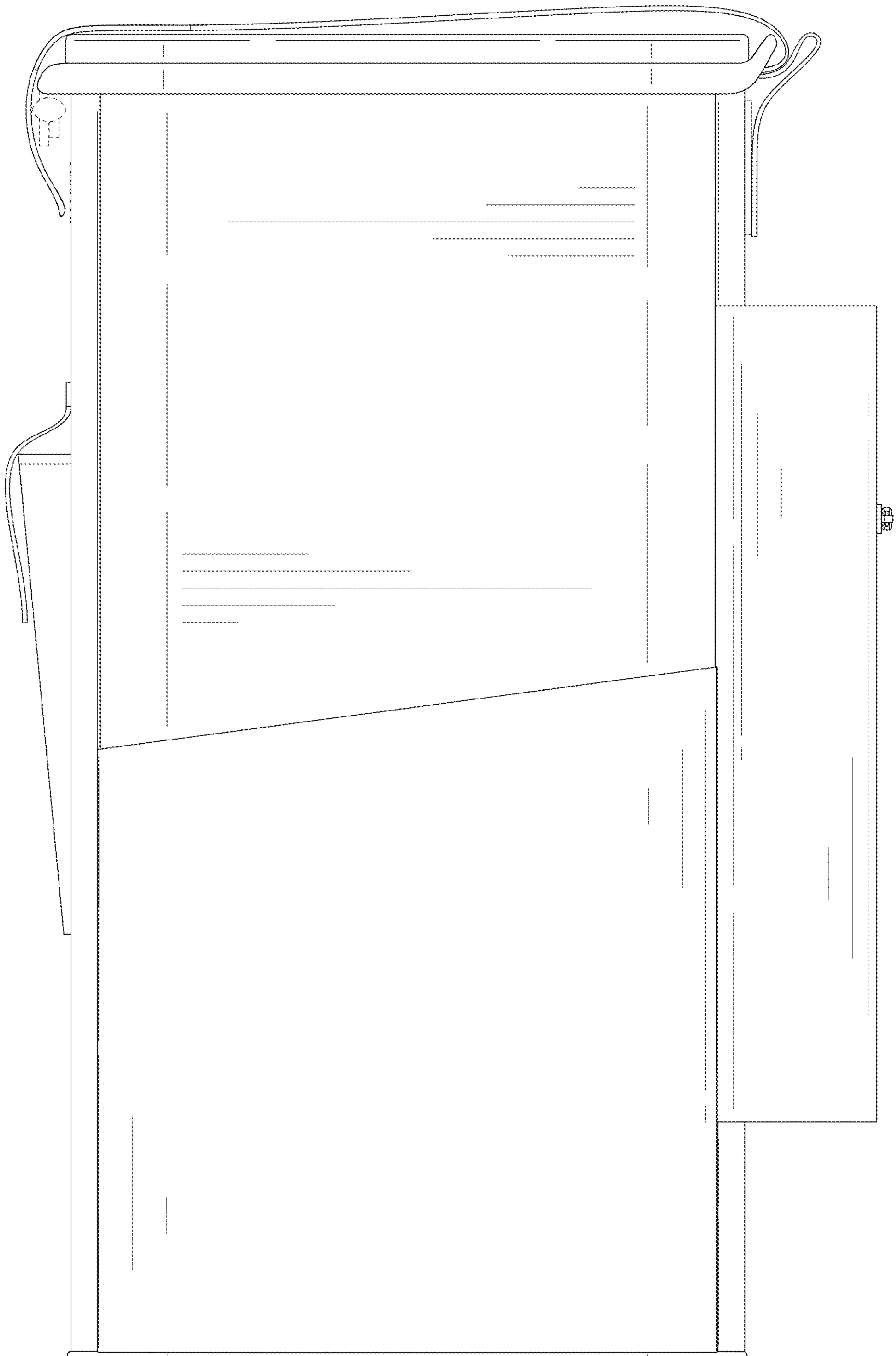


FIG. 6



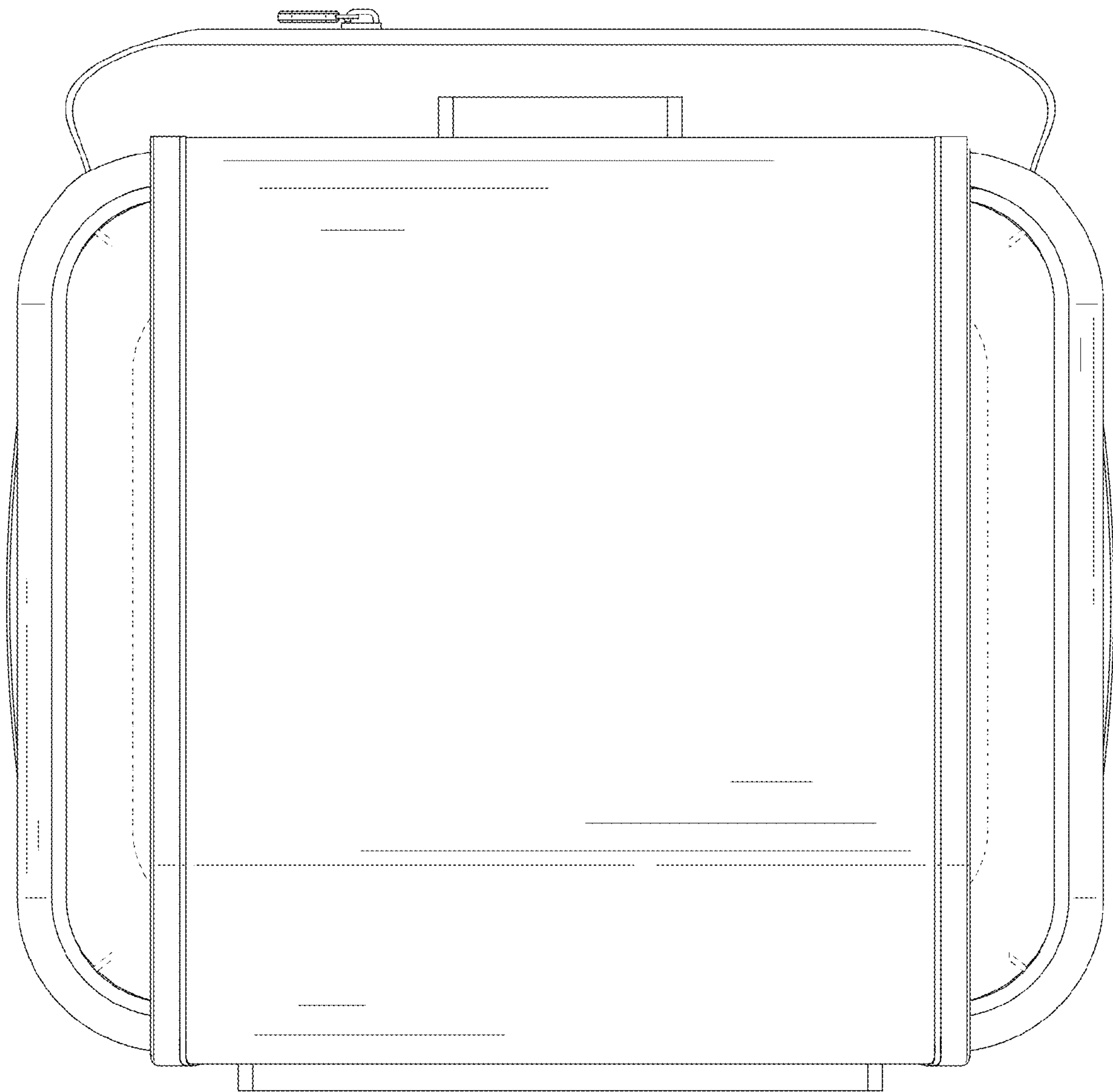


FIG. 7

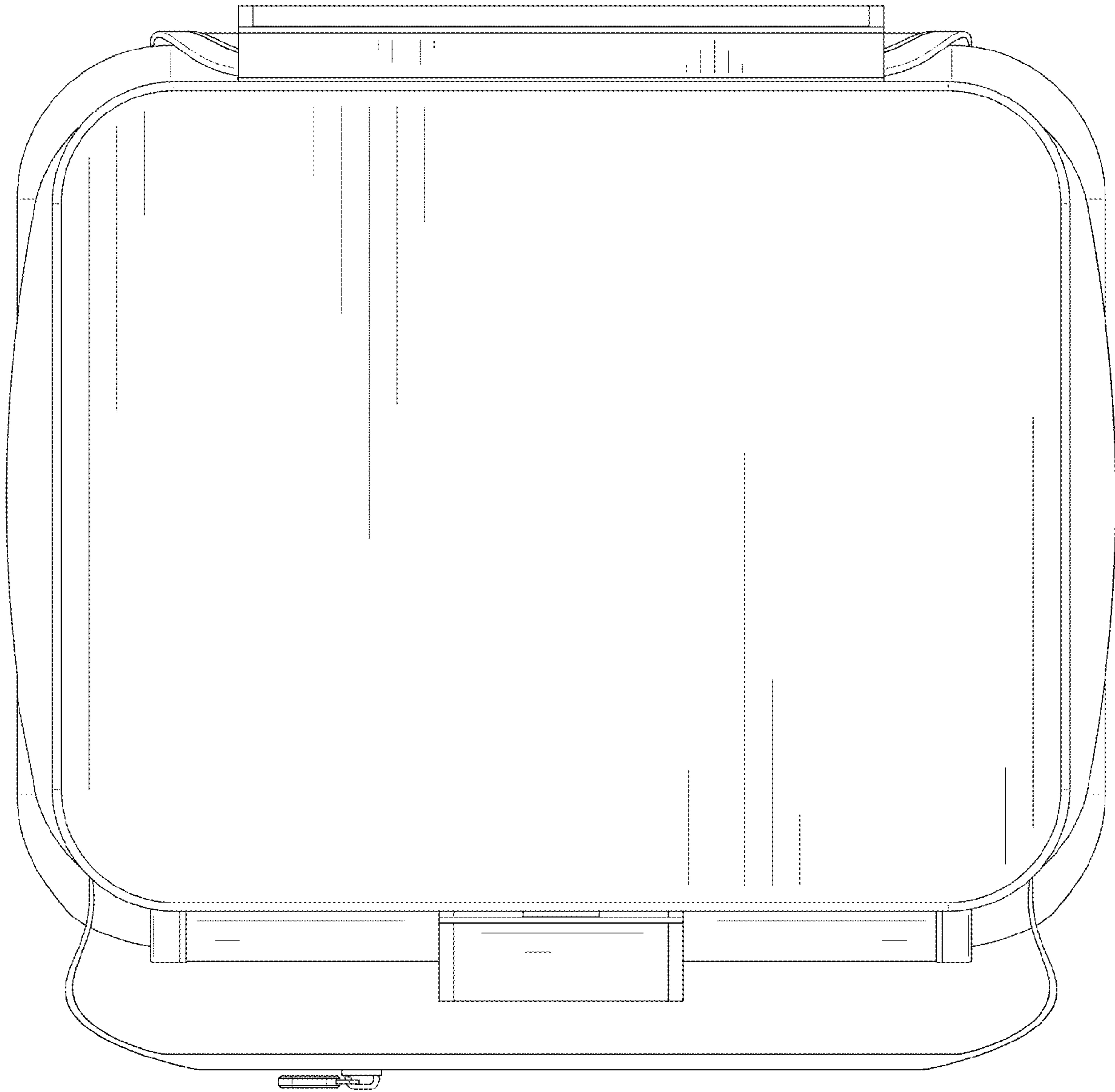


FIG. 8

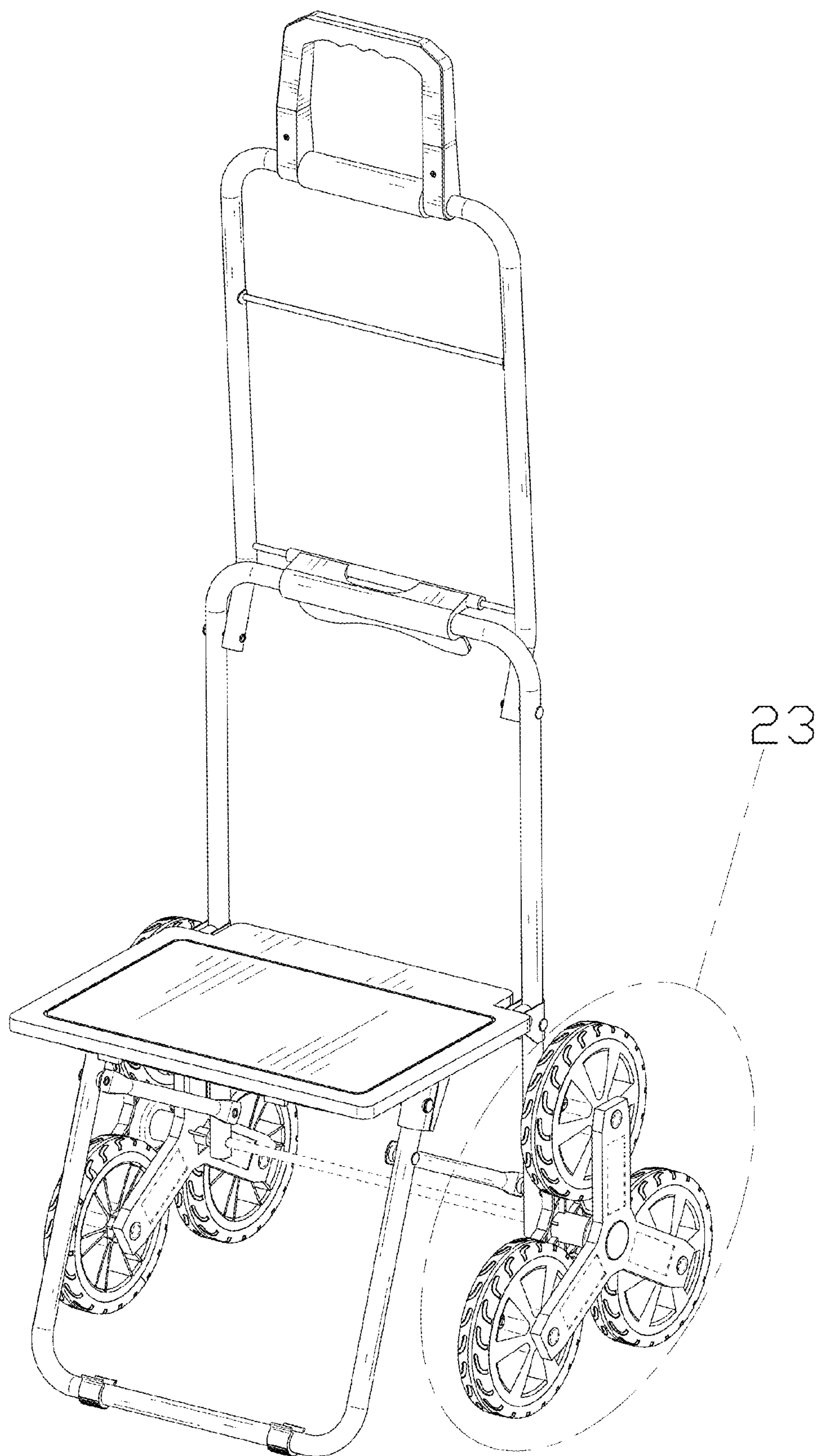


FIG. 9

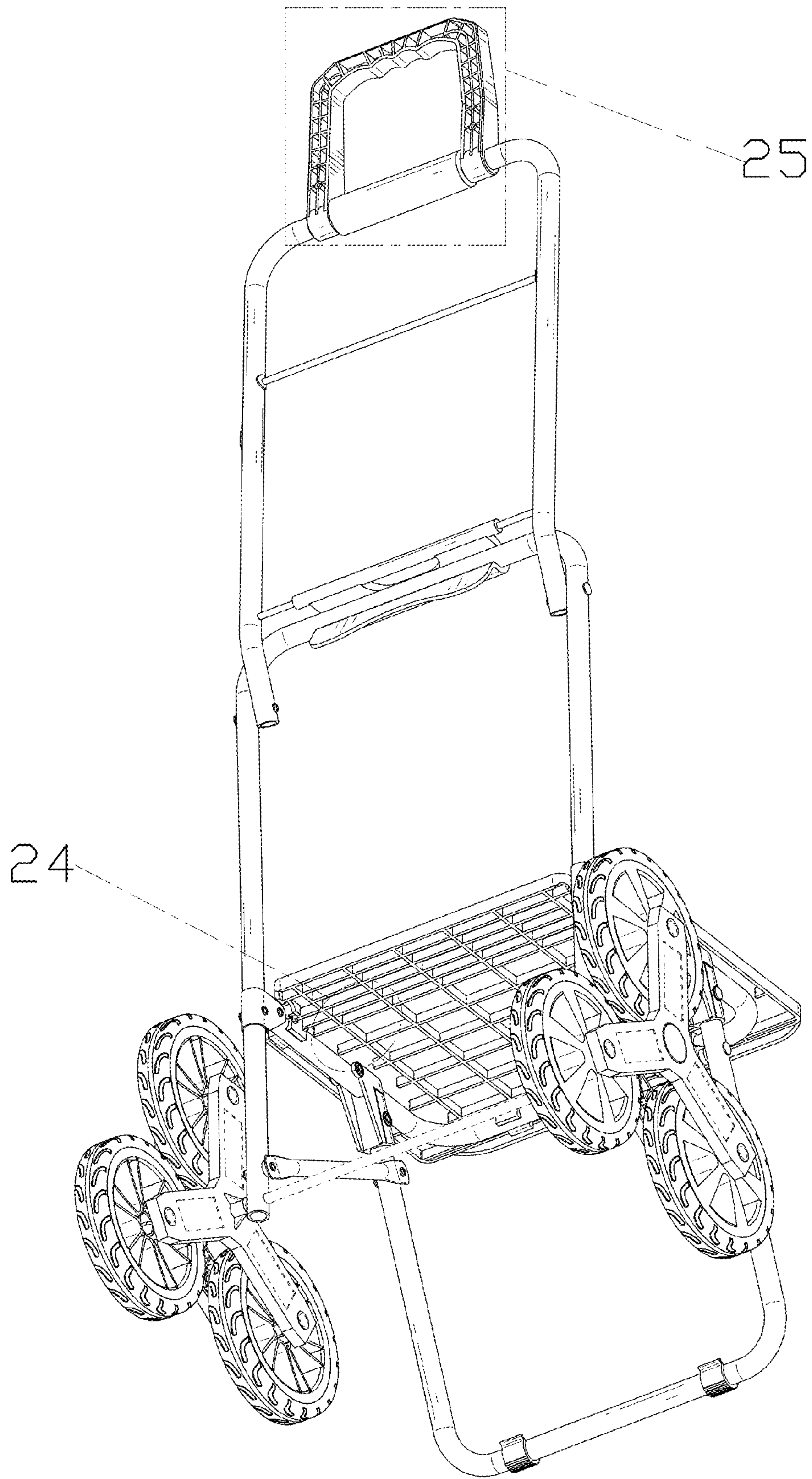


FIG. 10

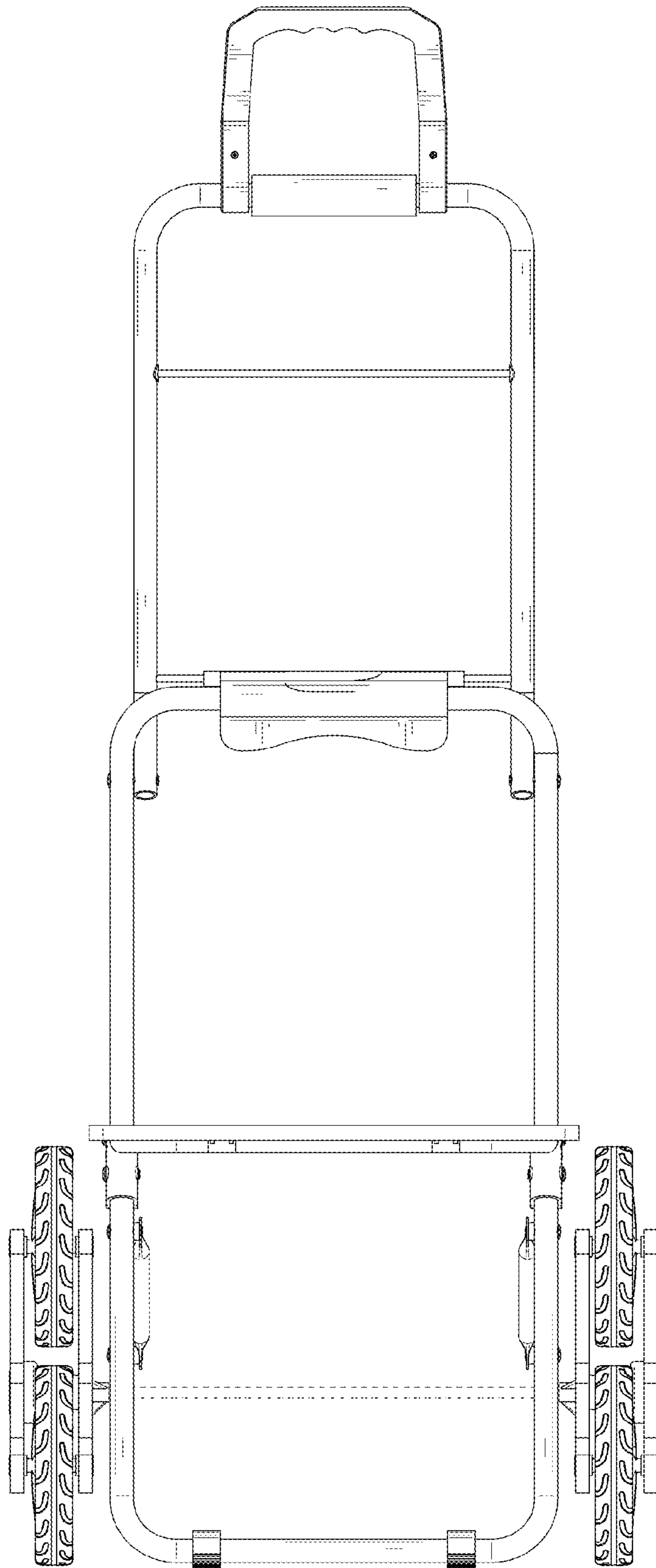


FIG. 11



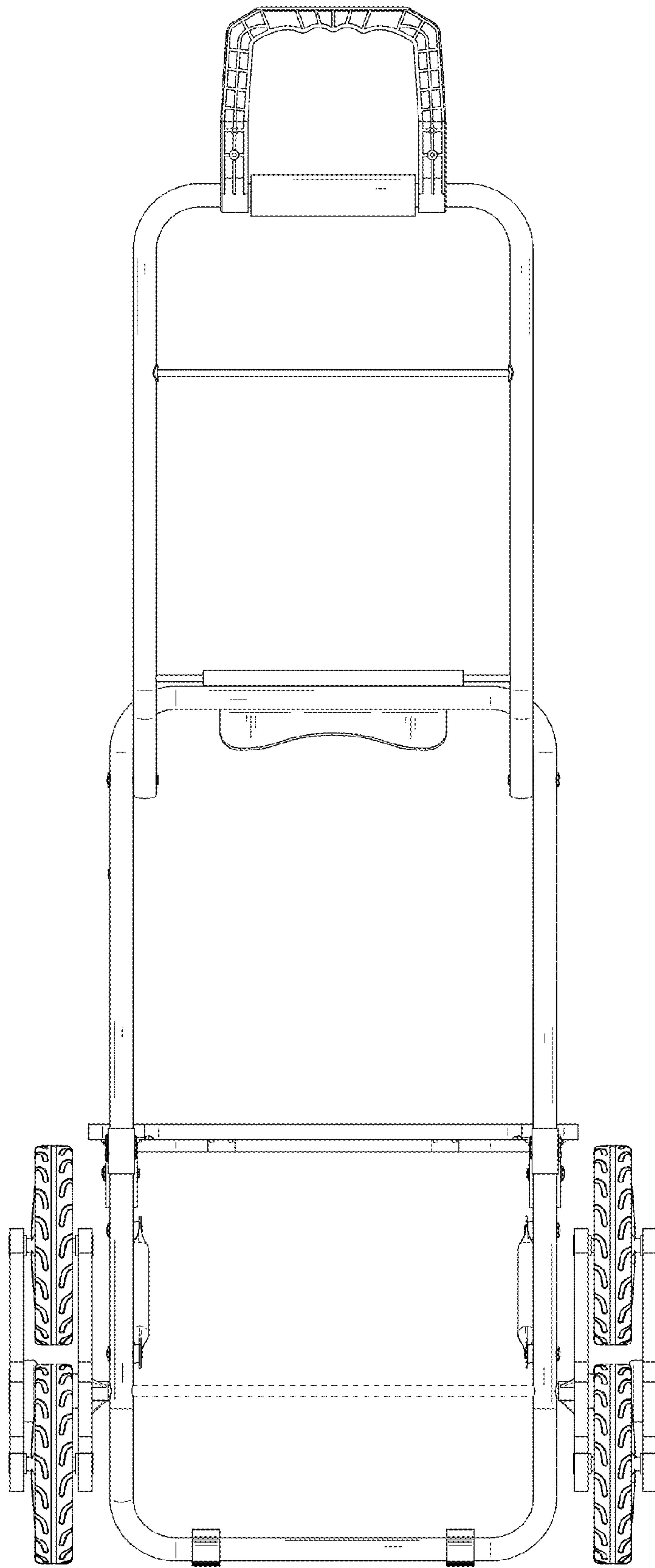


FIG. 12

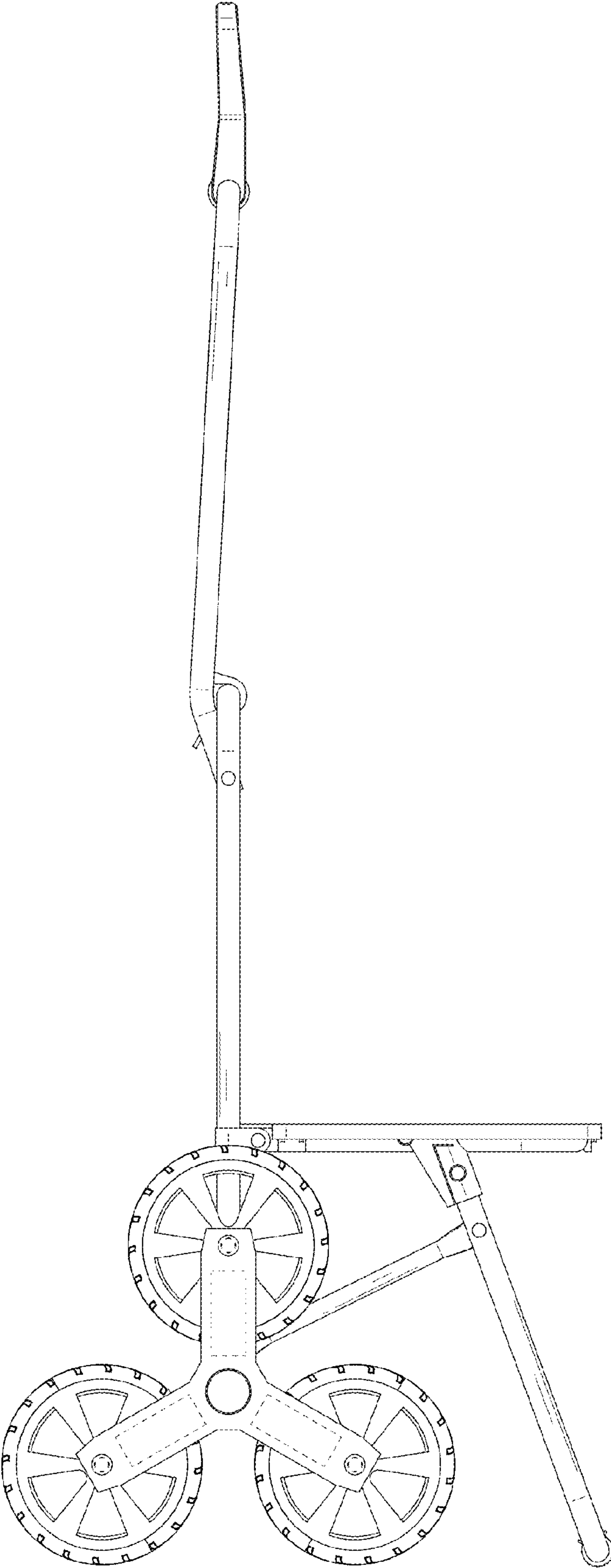


FIG. 13

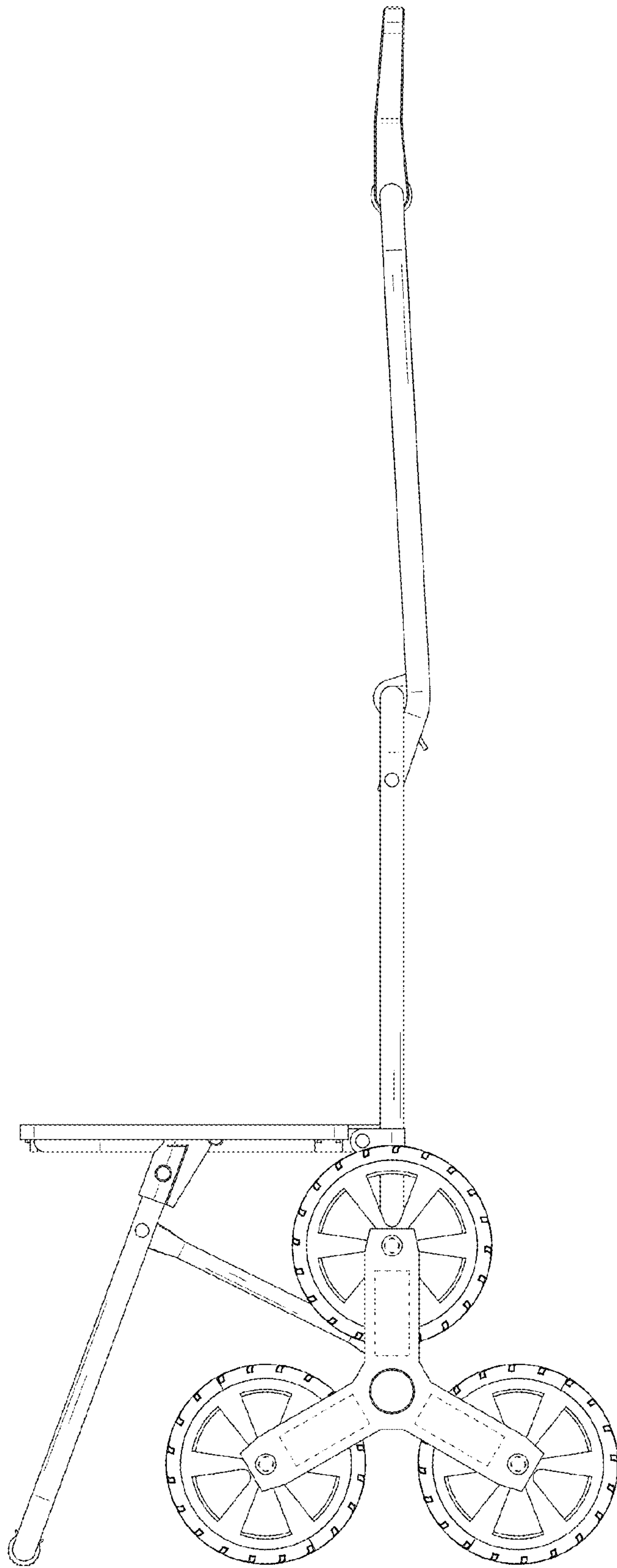


FIG. 14

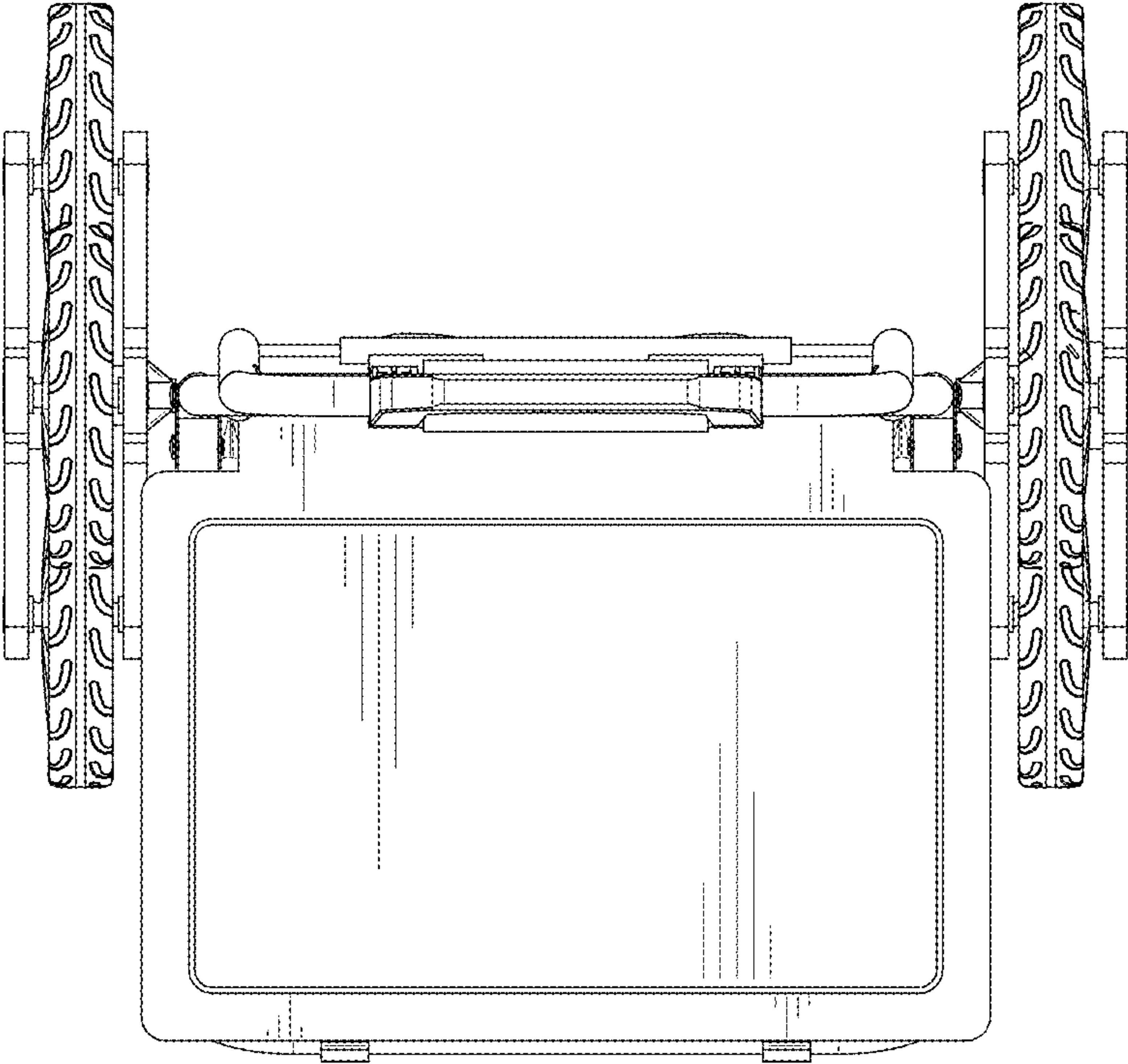


FIG. 15

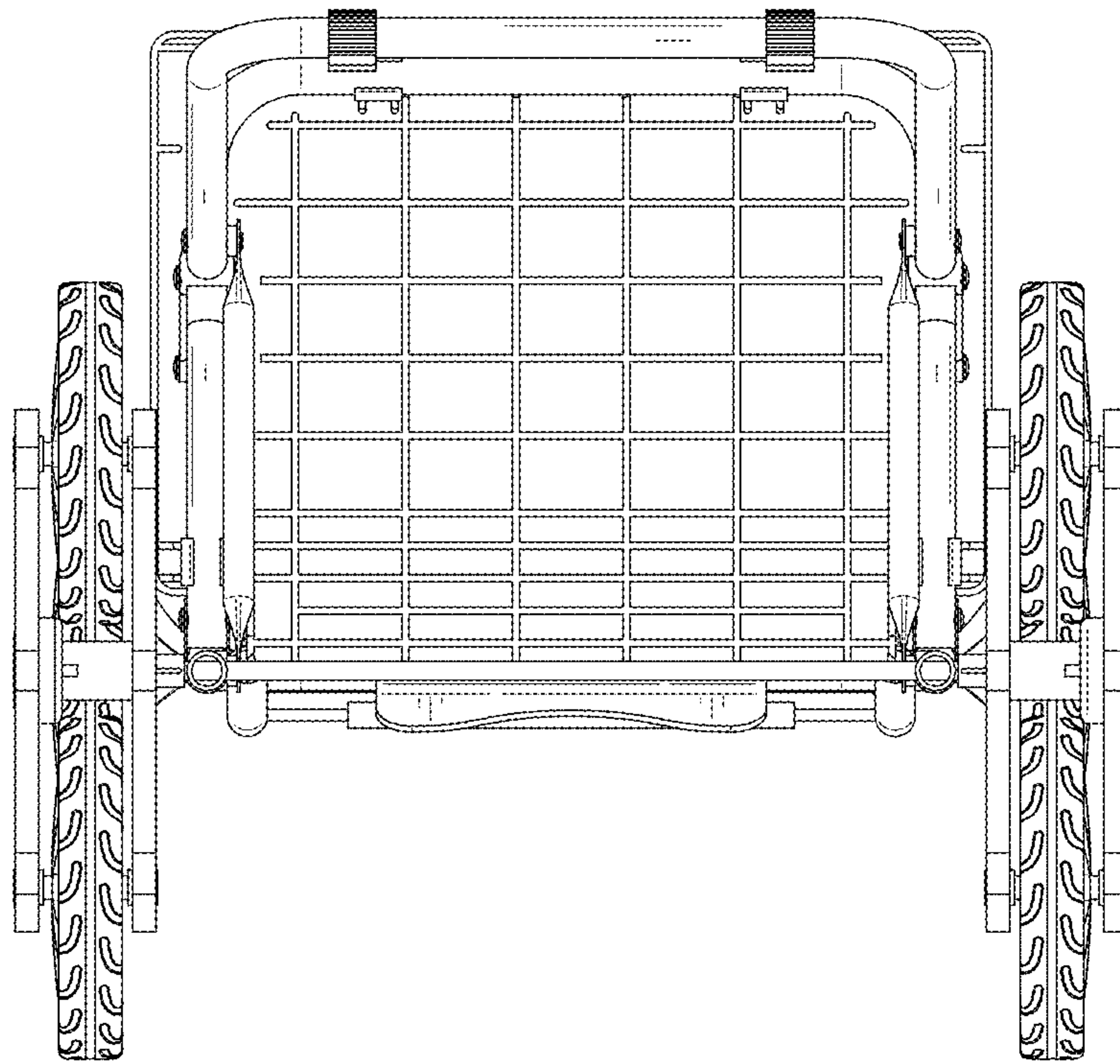


FIG. 16



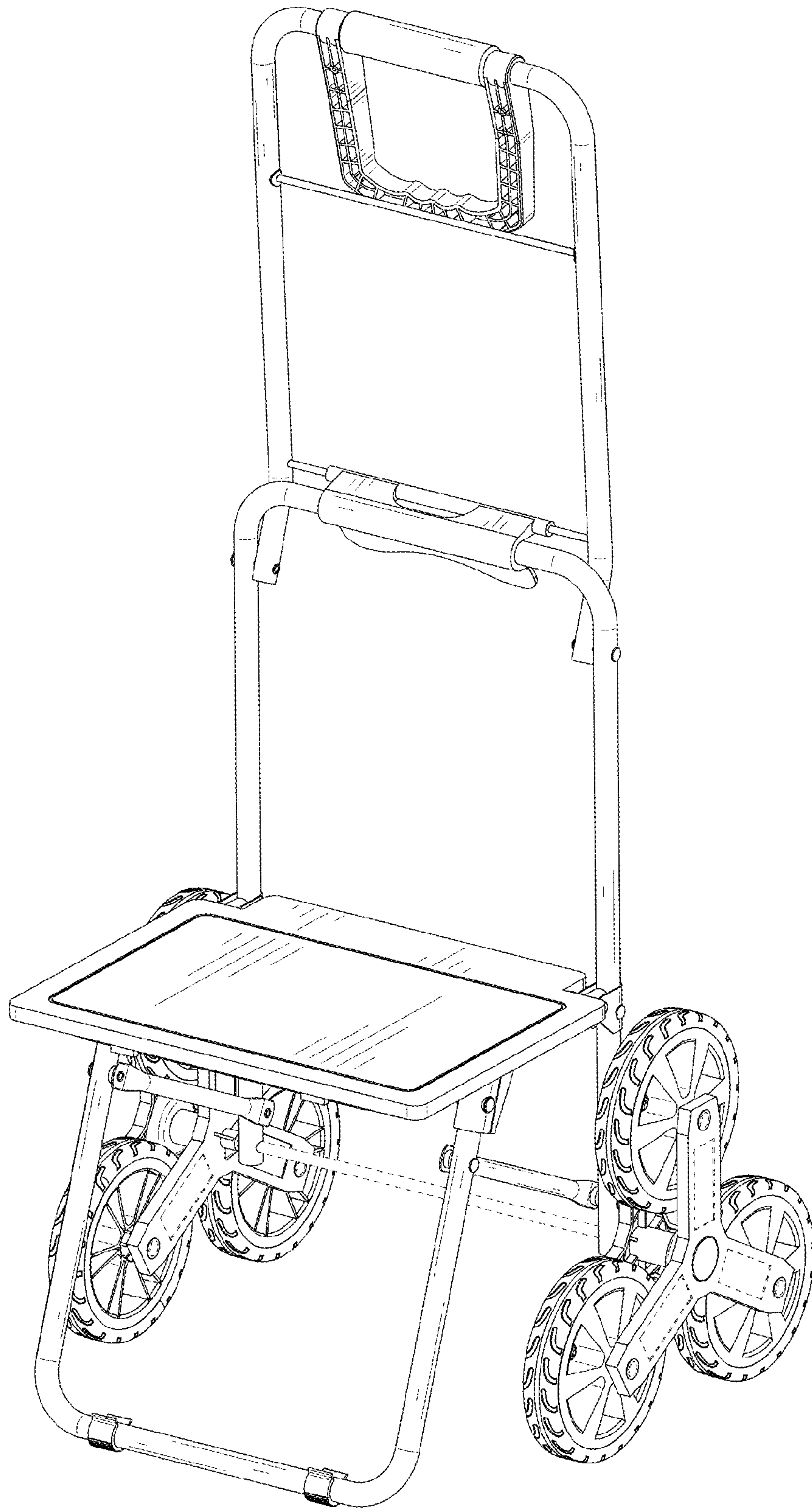


FIG. 17

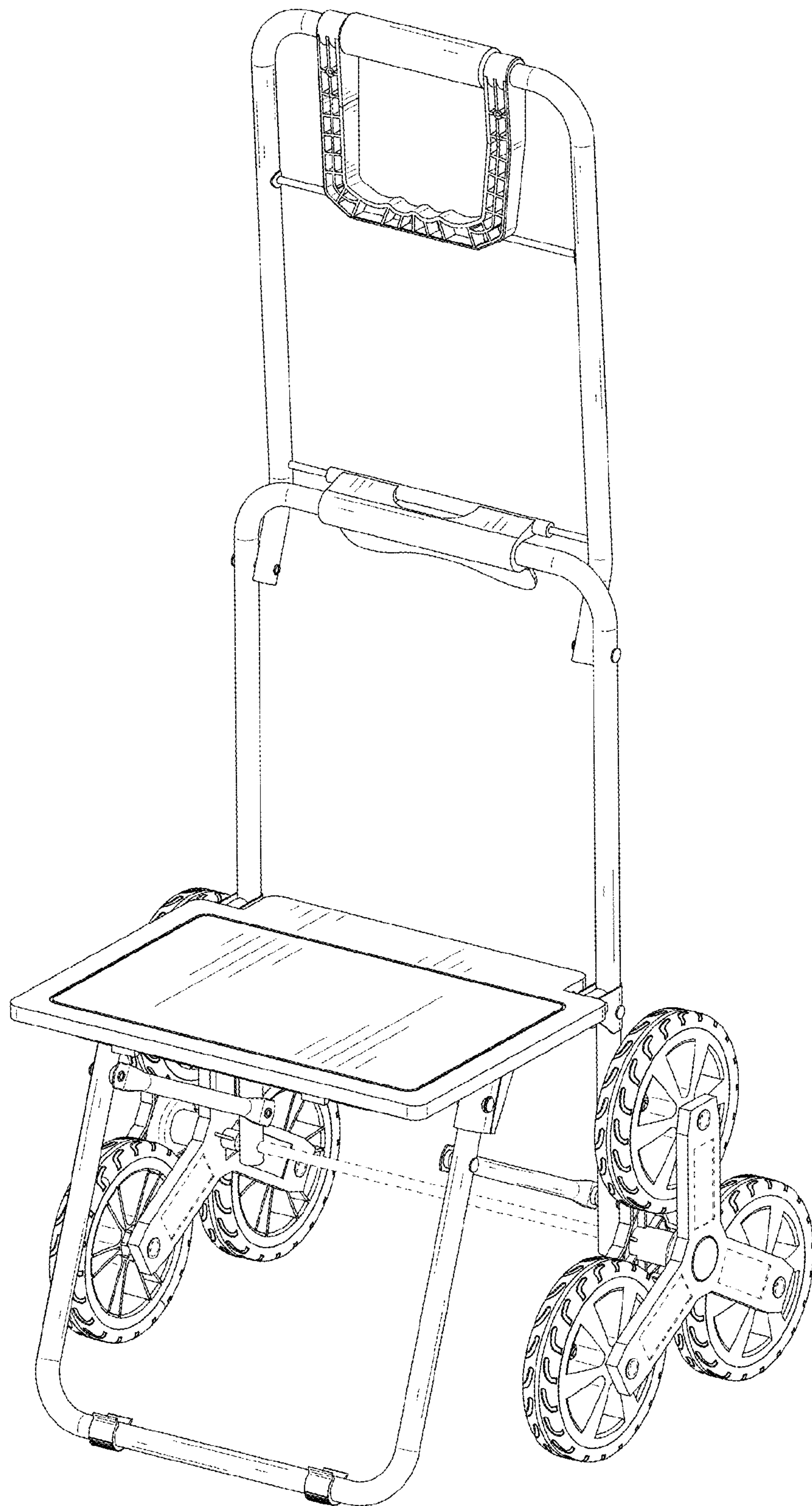


FIG. 18



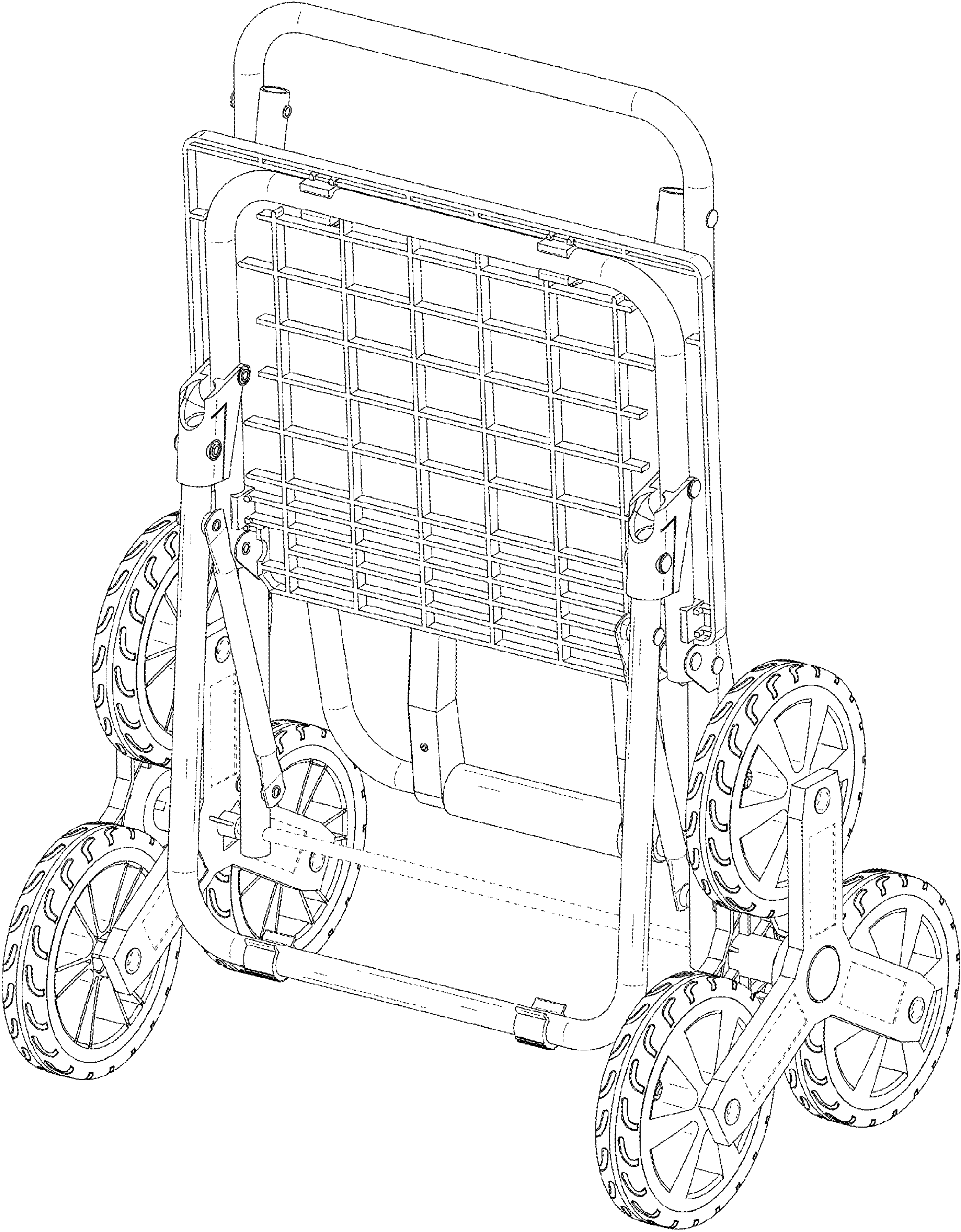


FIG. 19

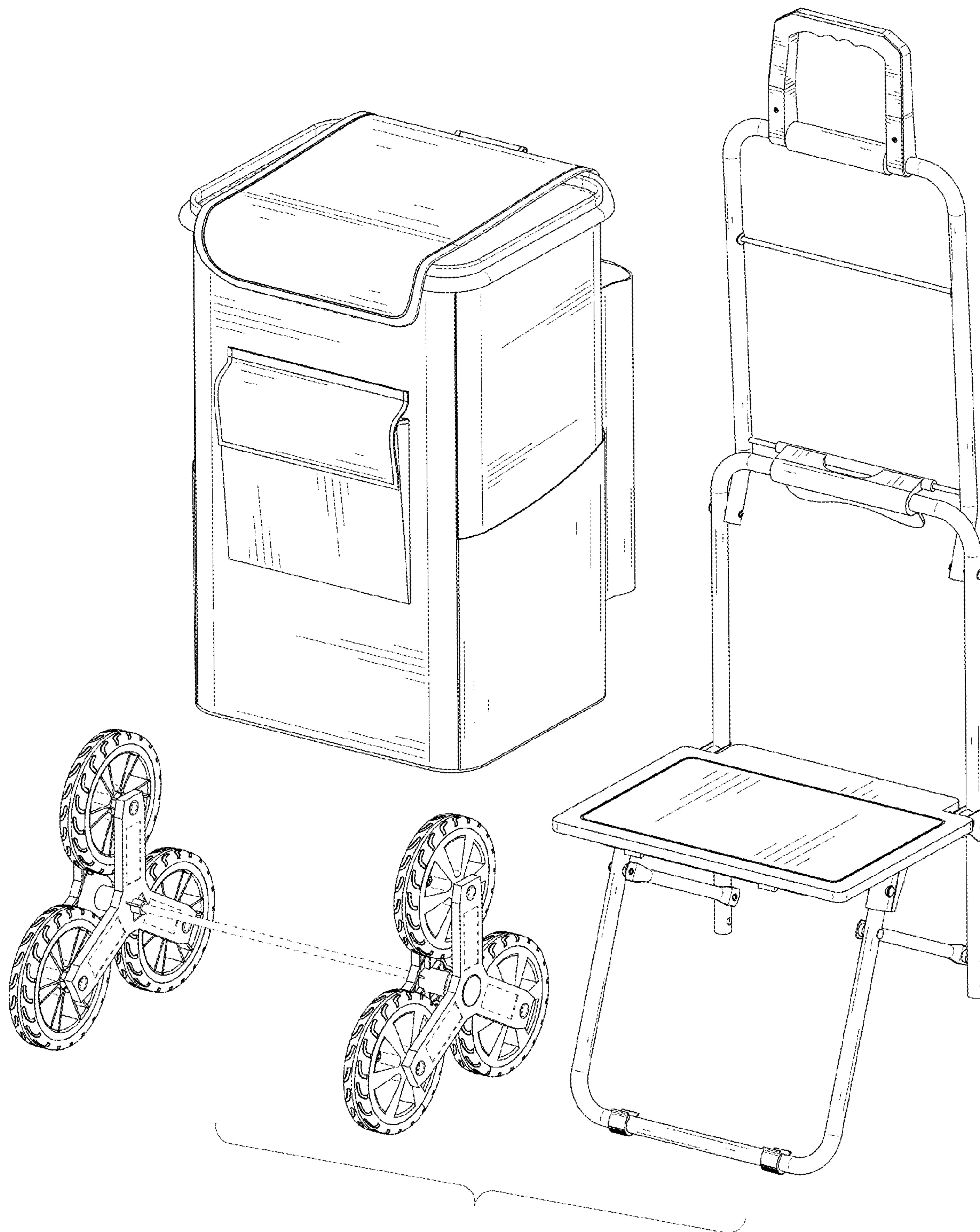


FIG. 20



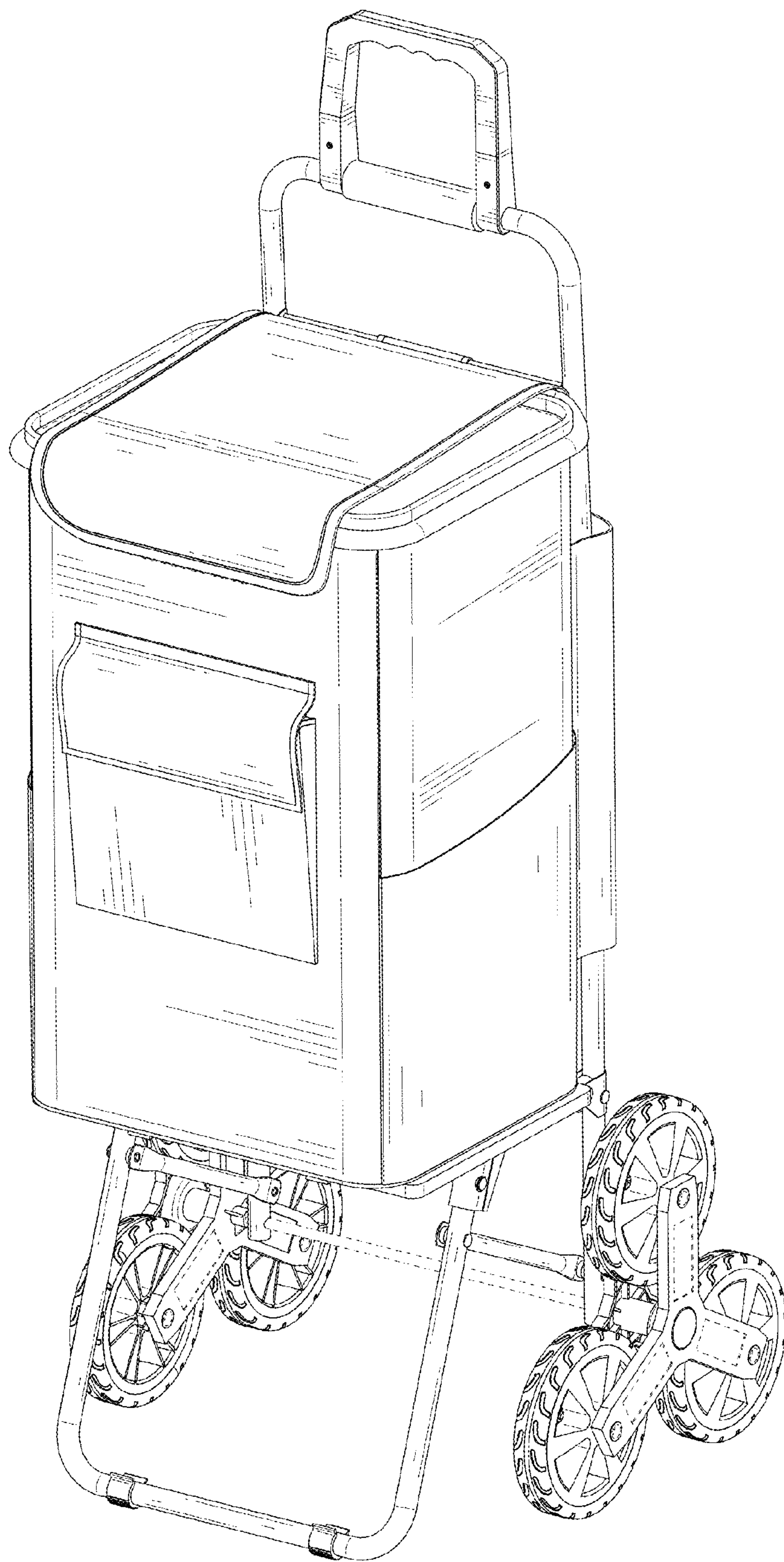


FIG. 21



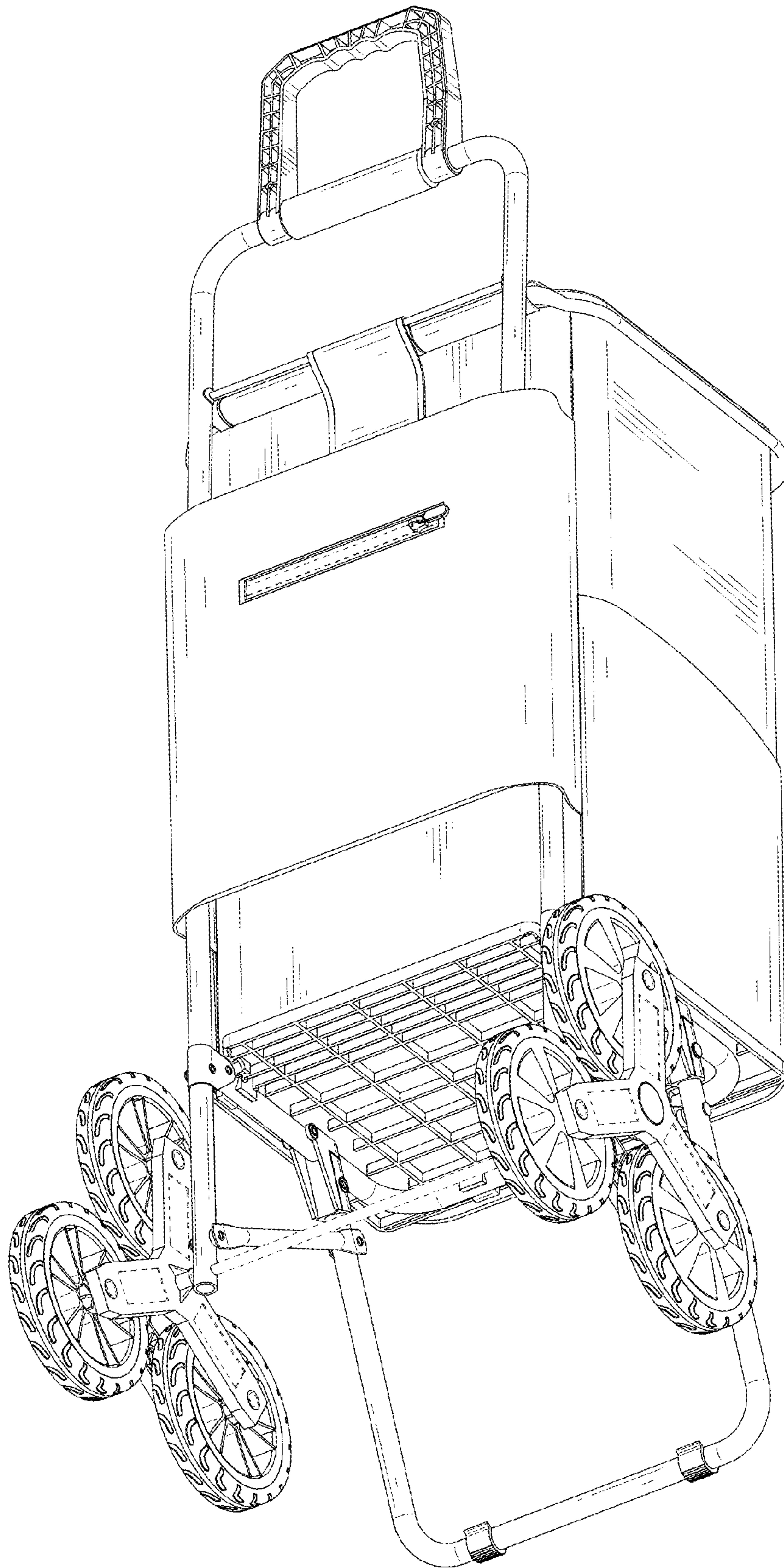


FIG. 22

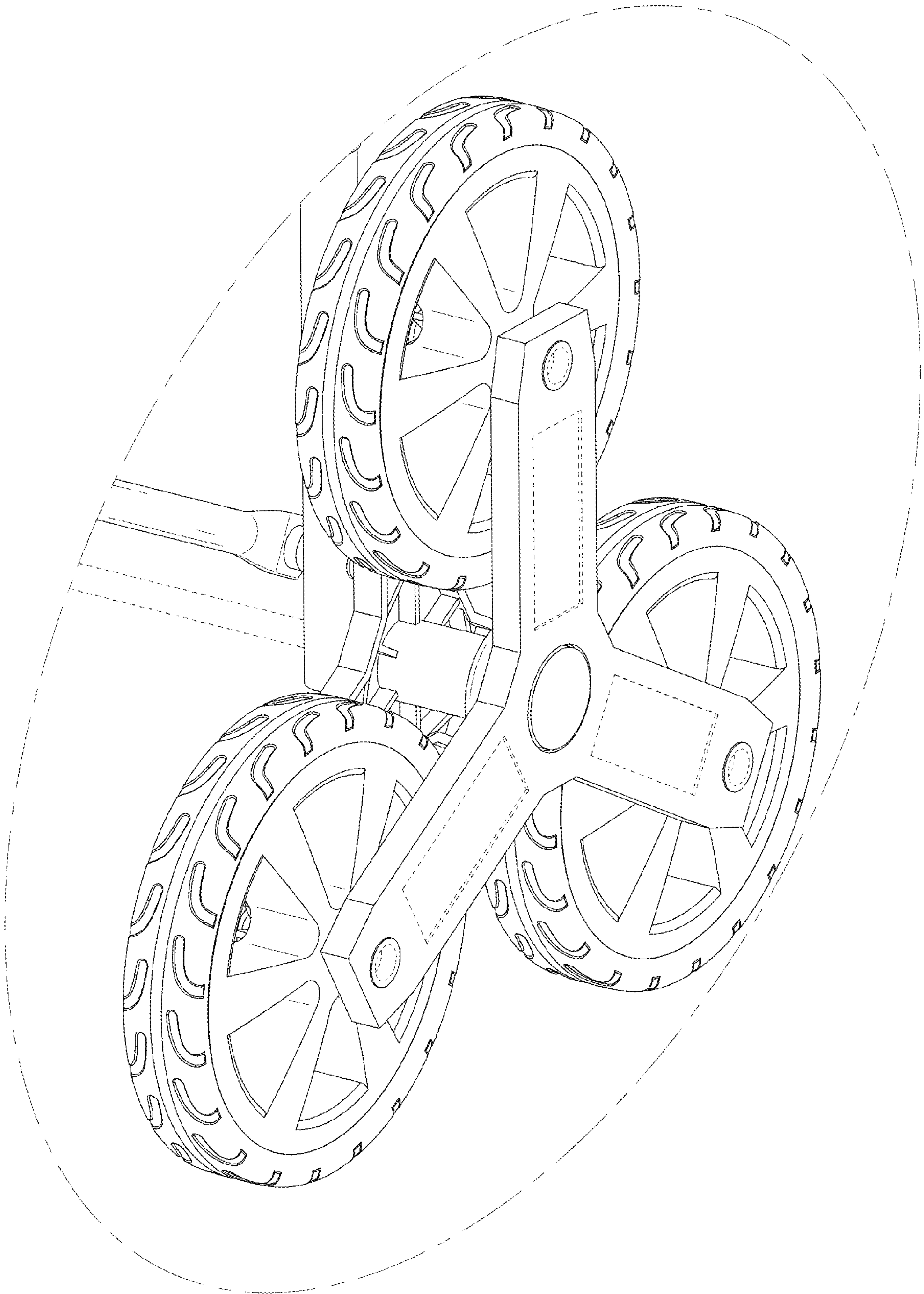


FIG. 23

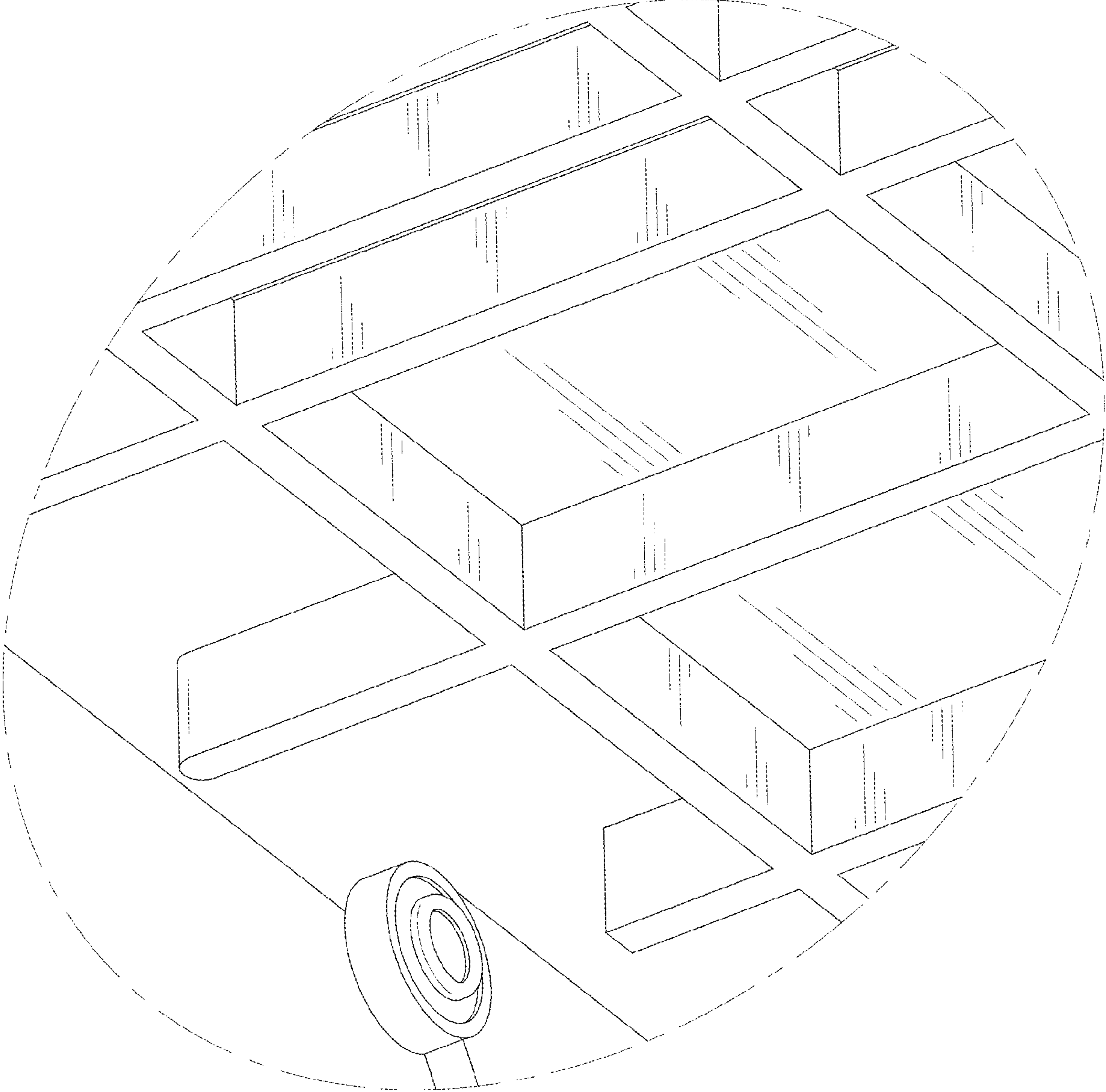


FIG. 24



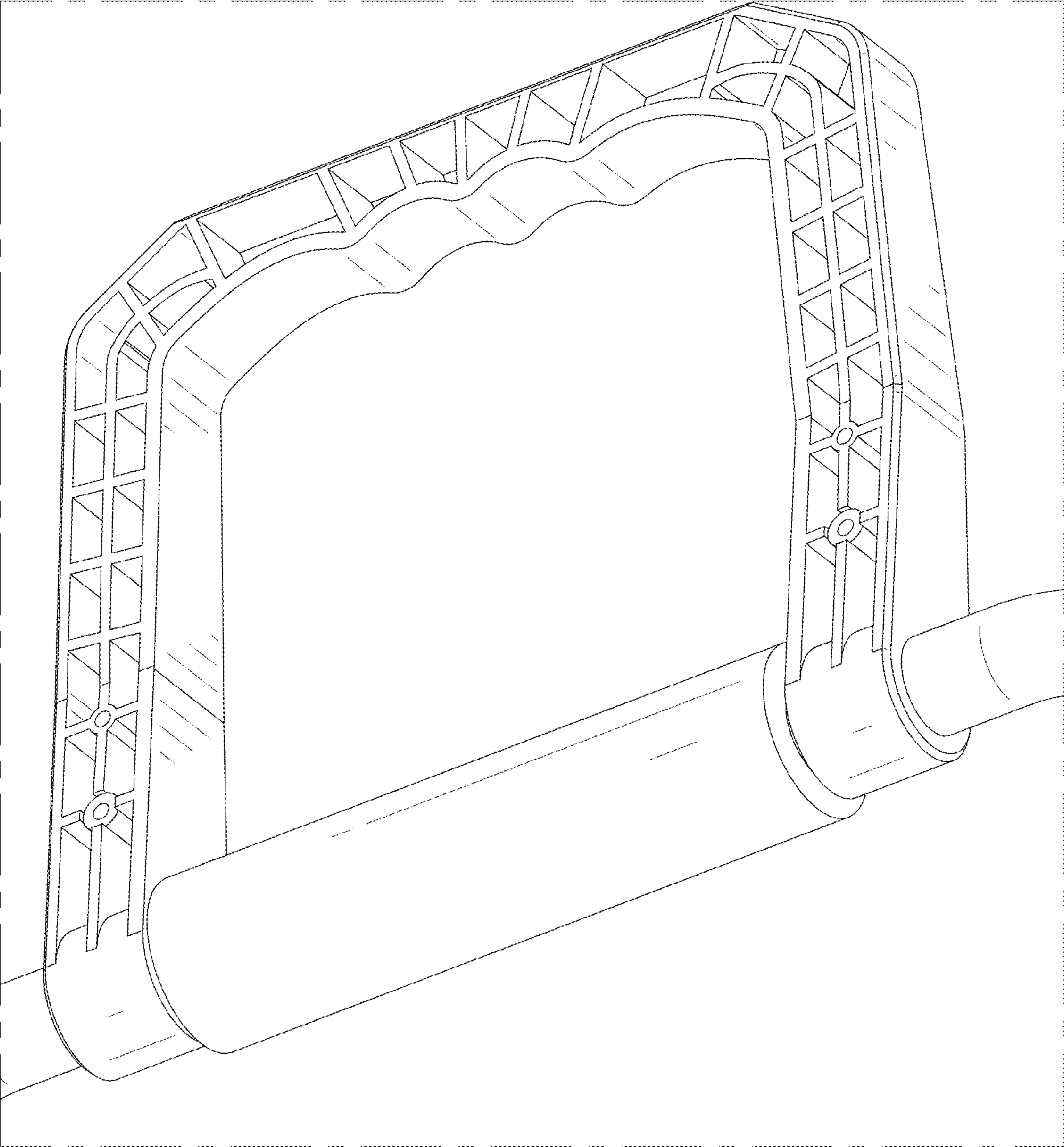


FIG. 25