



US00D942106S

(12) **United States Design Patent**
Liao

(10) **Patent No.:** **US D942,106 S**
(45) **Date of Patent:** **** Jan. 25, 2022**

- (54) **GARBAGE CAN**
- (71) Applicant: **Jiangmen Foreign Trade Group Co., Ltd., Jiangmen (CN)**
- (72) Inventor: **Henry Liao, Jiangmen (CN)**
- (73) Assignee: **Jiangmen Foreign Trade Group Co., Ltd., Guangdong (CN)**
- (**) Term: **15 Years**
- (21) Appl. No.: **29/729,828**
- (22) Filed: **Mar. 30, 2020**
- (51) **LOC (13) Cl.** **09-09**
- (52) **U.S. Cl.**
USPC **D34/9**
- (58) **Field of Classification Search**
USPC D34/1, 7, 9, 10, 11
CPC B65F 1/163; B65F 1/1438; B65F 1/162;
B65F 1/1623; B65F 1/004; B65F 1/1473;
B65F 2240/138; B65F 1/002; B65F 1/16;
B65F 1/04; B65F 2230/134
See application file for complete search history.

D841,275 S *	2/2019	Chen	D34/9
D842,573 S *	3/2019	Smeets	D34/9
D851,350 S *	6/2019	Lu	D34/9
D853,067 S *	7/2019	Chen	D34/9
D855,919 S *	8/2019	Yang	D34/7
D860,570 S *	9/2019	Chen	D34/7
D861,277 S *	9/2019	Chen	D34/9
D871,012 S *	12/2019	Chen	D34/7
D872,959 S *	1/2020	Chen	D34/7
D886,402 S *	6/2020	Chen	D34/9
D906,620 S *	12/2020	Tan	D34/8
D909,002 S *	1/2021	Chang	D34/9
D911,650 S *	2/2021	Liao	D34/9
D915,713 S *	4/2021	Chen	D34/9
2011/0220648 A1 *	9/2011	Yang	B65F 1/1638 220/211
2013/0105486 A1 *	5/2013	Mashburn	B65F 1/08 220/495.06

* cited by examiner

Primary Examiner — Cynthia Ramirez
(74) *Attorney, Agent, or Firm* — Intellectual Property Law Group LLP

(57) **CLAIM**

The ornamental design for a garbage can, as shown and described.

DESCRIPTION

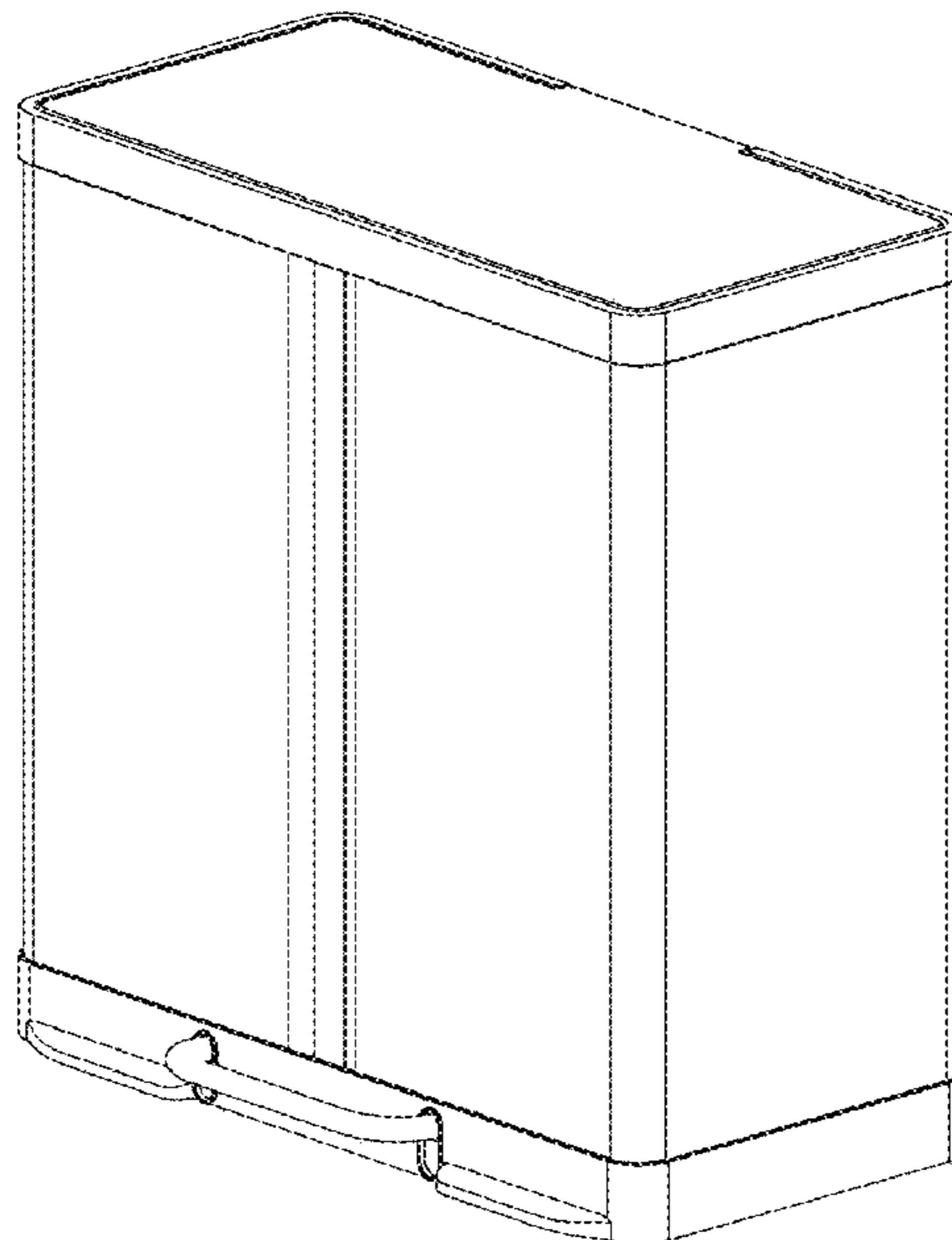
FIG. 1 is a perspective view of a garbage can, showing my new design;
FIG. 2 is a top plan view thereof;
FIG. 3 is a bottom plan view thereof;
FIG. 4 is a left side view thereof;
FIG. 5 is a right side view thereof;
FIG. 6 is a front view thereof; and,
FIG. 7 is a rear view thereof.
The broken lines in the figures show portions of the garbage can, which form no part of the claimed design.

1 Claim, 7 Drawing Sheets

(56) **References Cited**

U.S. PATENT DOCUMENTS

D580,613 S *	11/2008	Yang	D34/7
D631,221 S *	1/2011	Yang	D34/9
D675,803 S *	2/2013	Yang	D34/7
D759,934 S *	6/2016	Yang	D34/11
D773,145 S *	11/2016	Yang	D34/9
D773,769 S *	12/2016	Chen	D34/9
D790,145 S *	6/2017	Chen	D34/7
D793,642 S *	8/2017	Yang	D34/7
D804,133 S *	11/2017	Yang	D34/9
D809,729 S *	2/2018	Chen	D34/7
D829,400 S *	9/2018	Yang	D34/7
D830,659 S *	10/2018	Greenspon	D34/9



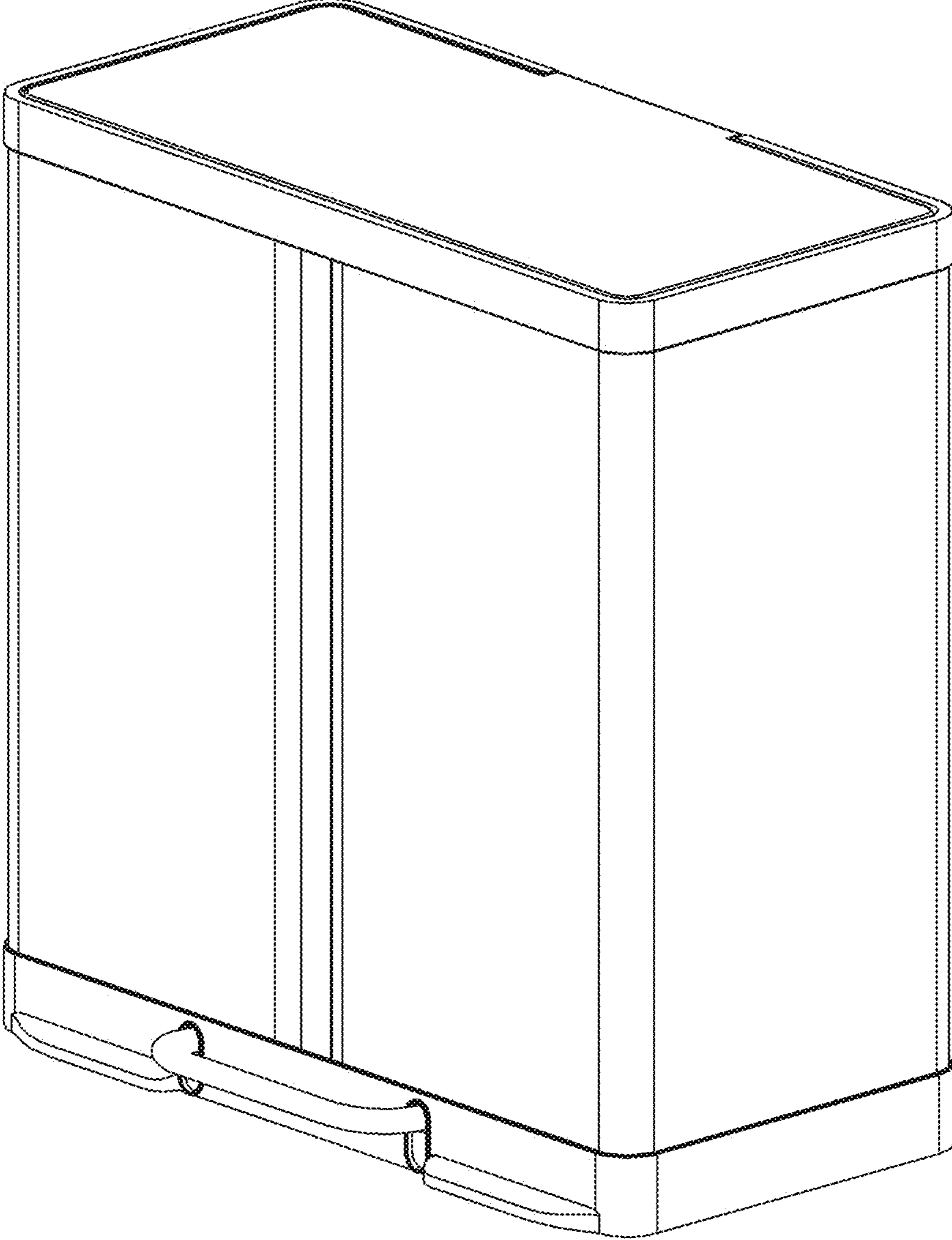


FIG. 1

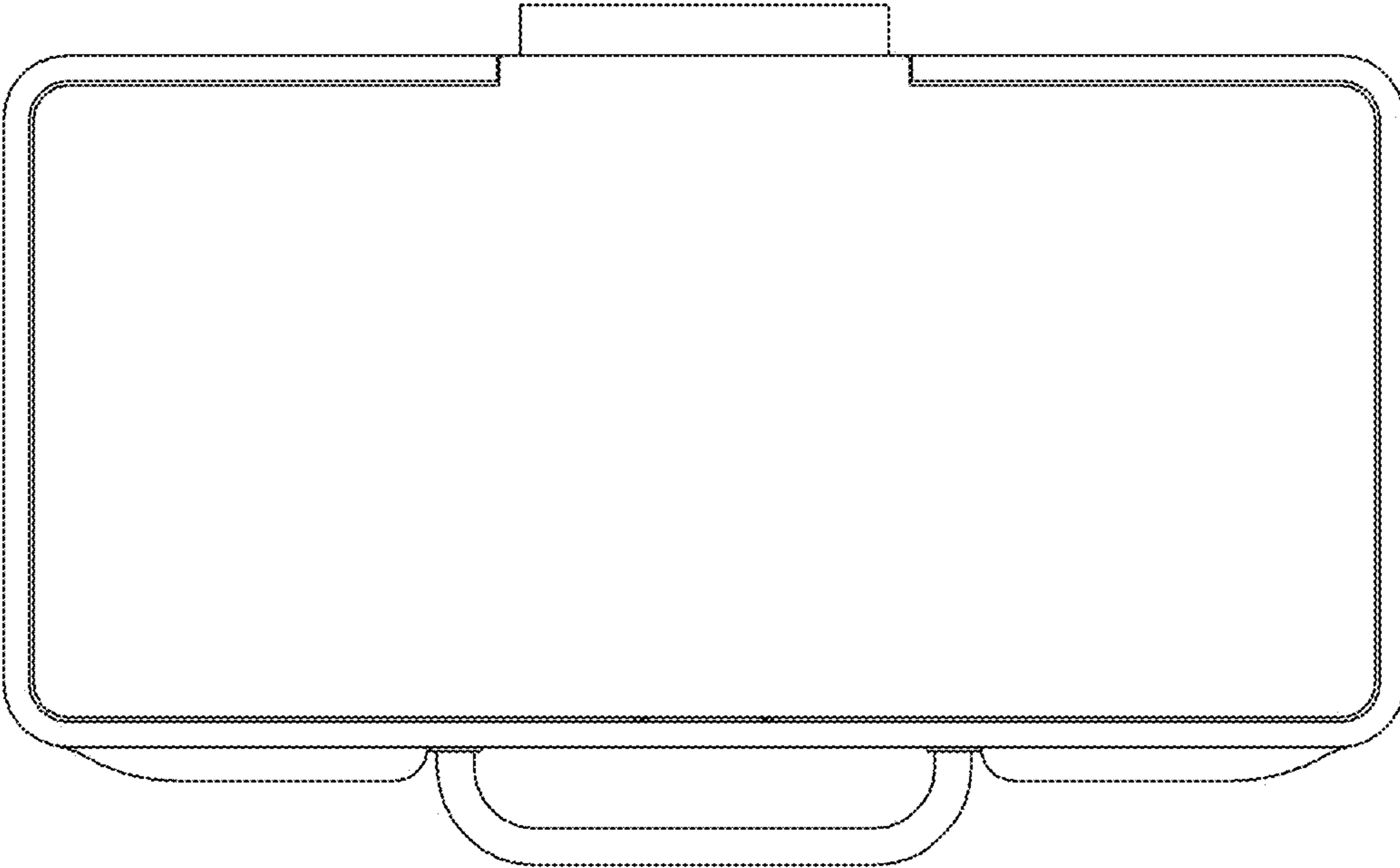


FIG. 2

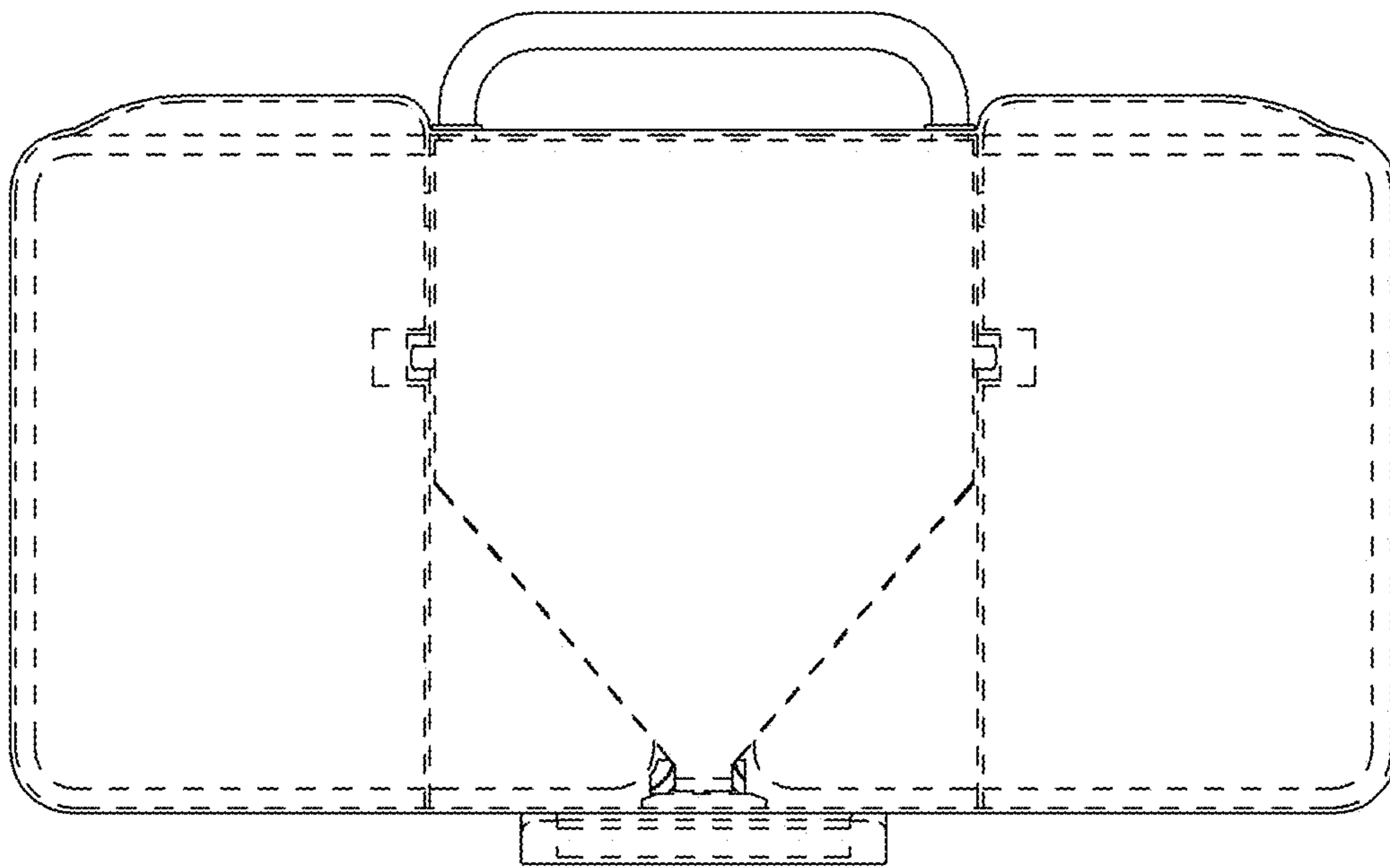


FIG. 3

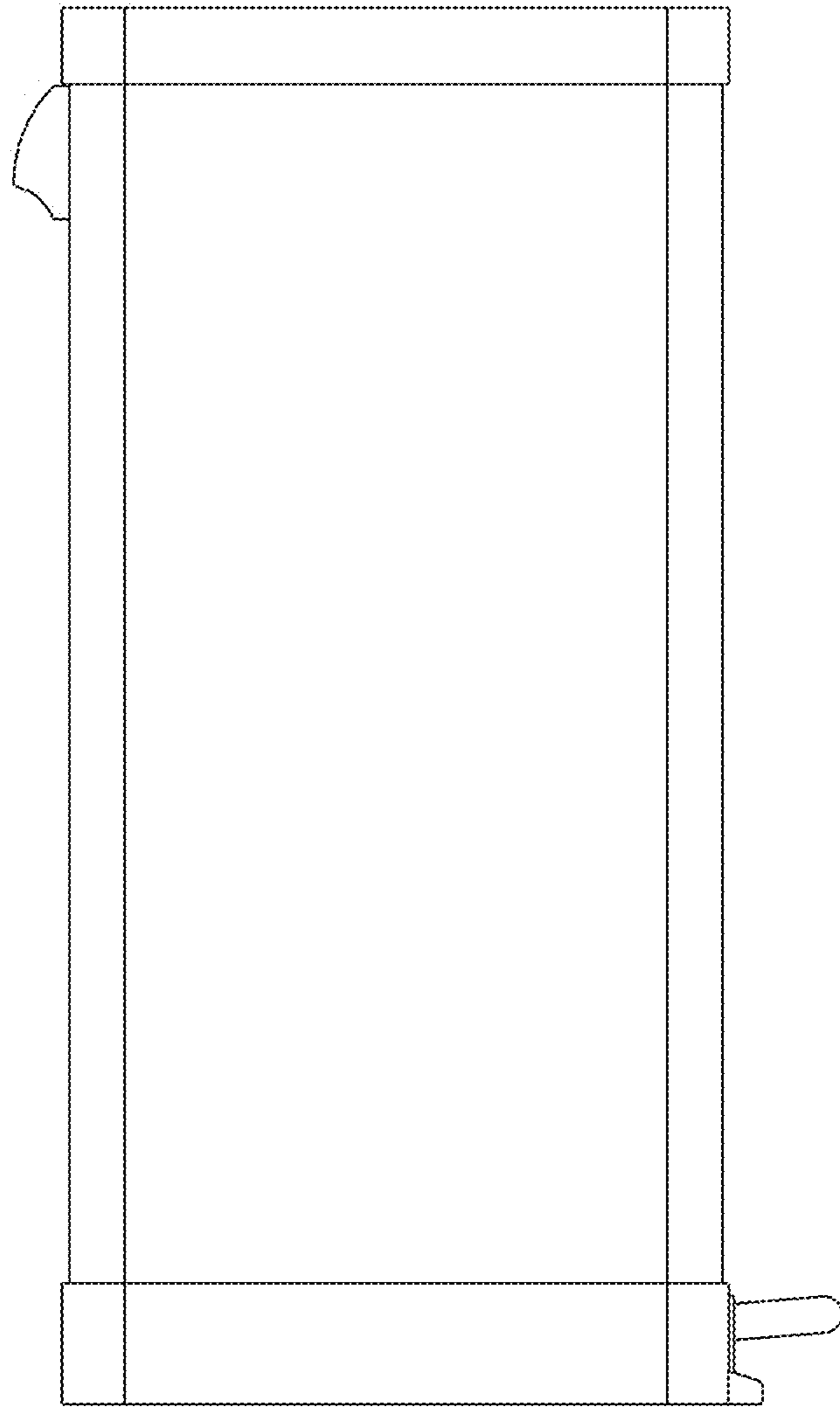


FIG. 4

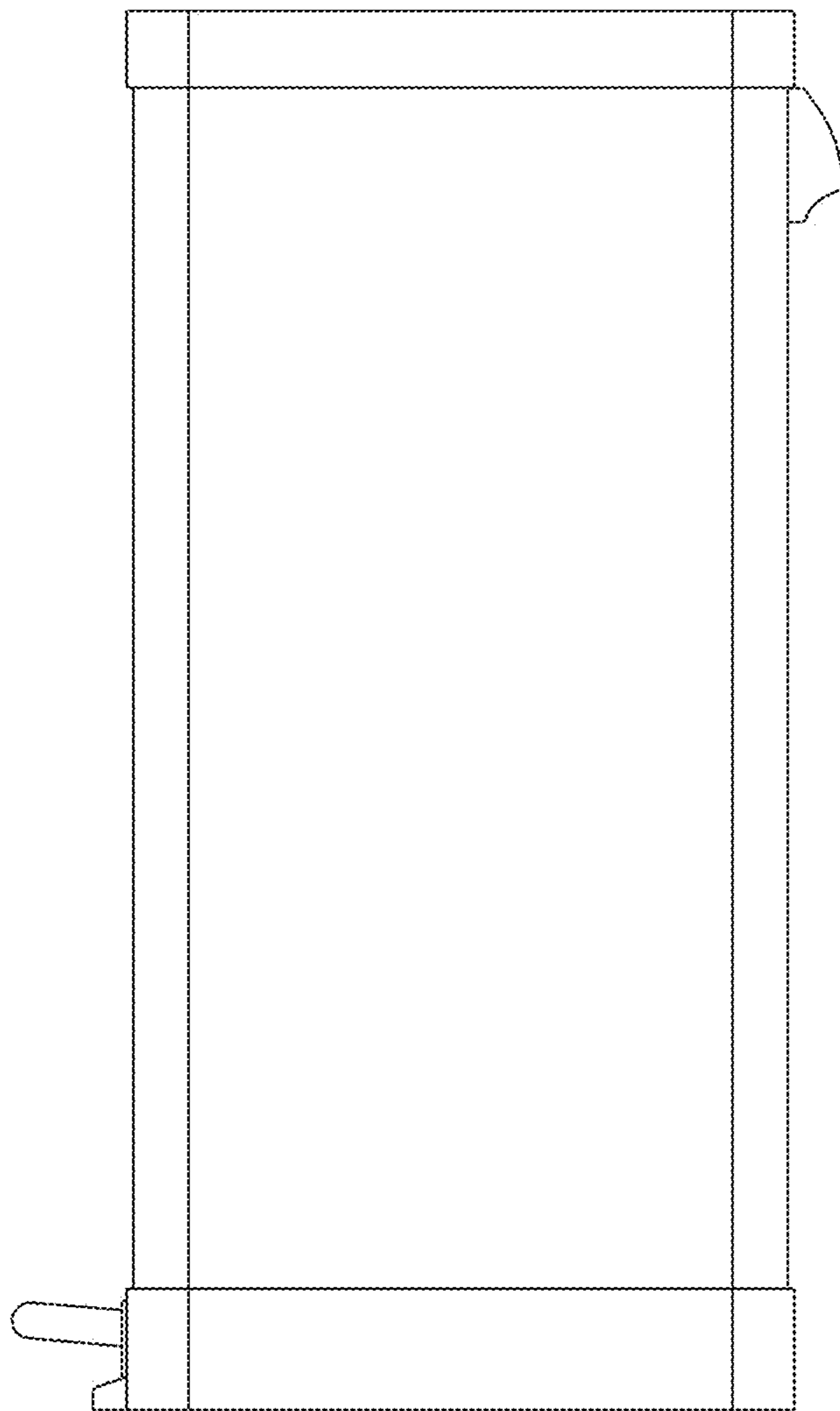


FIG. 5

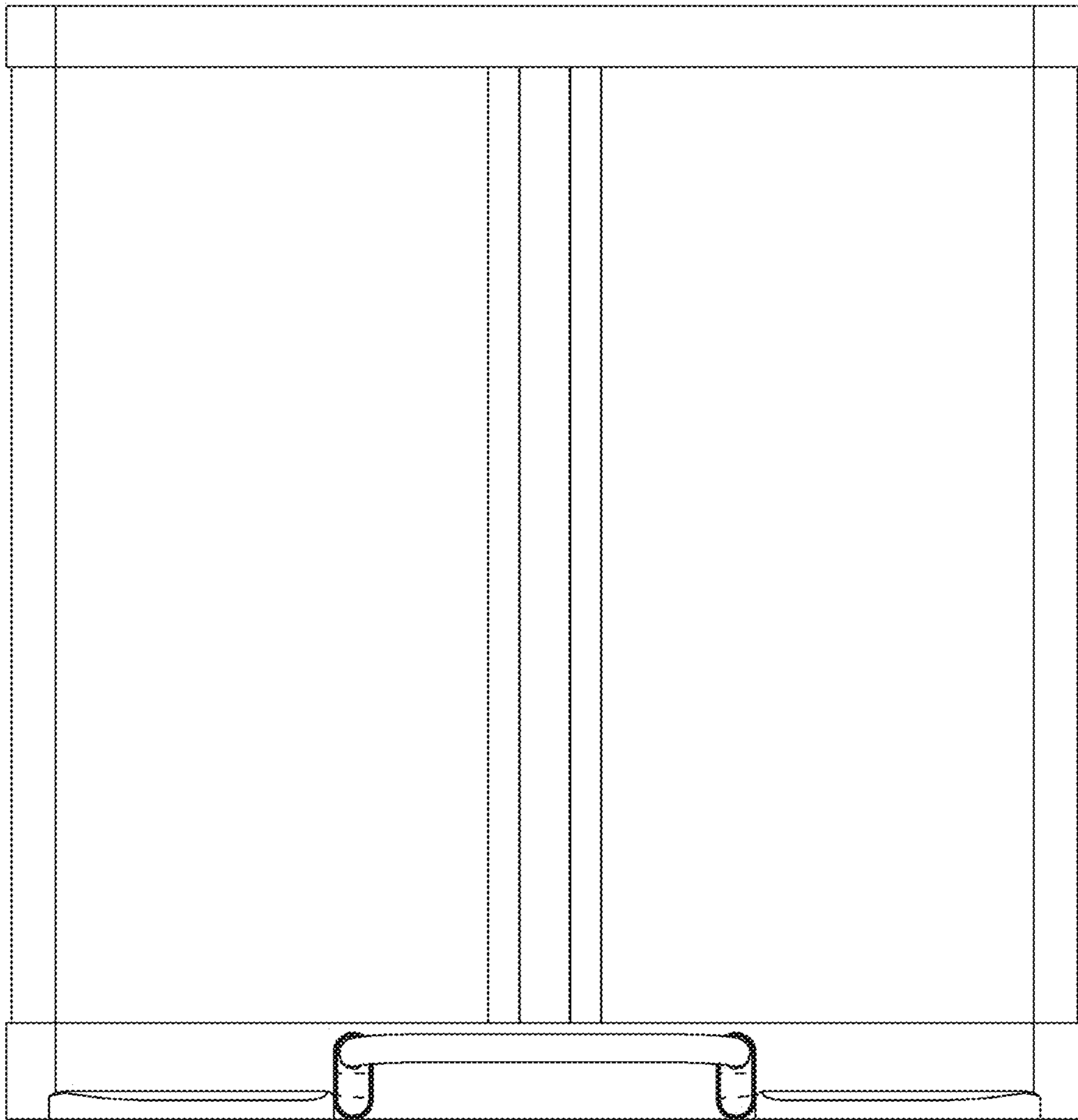


FIG. 6

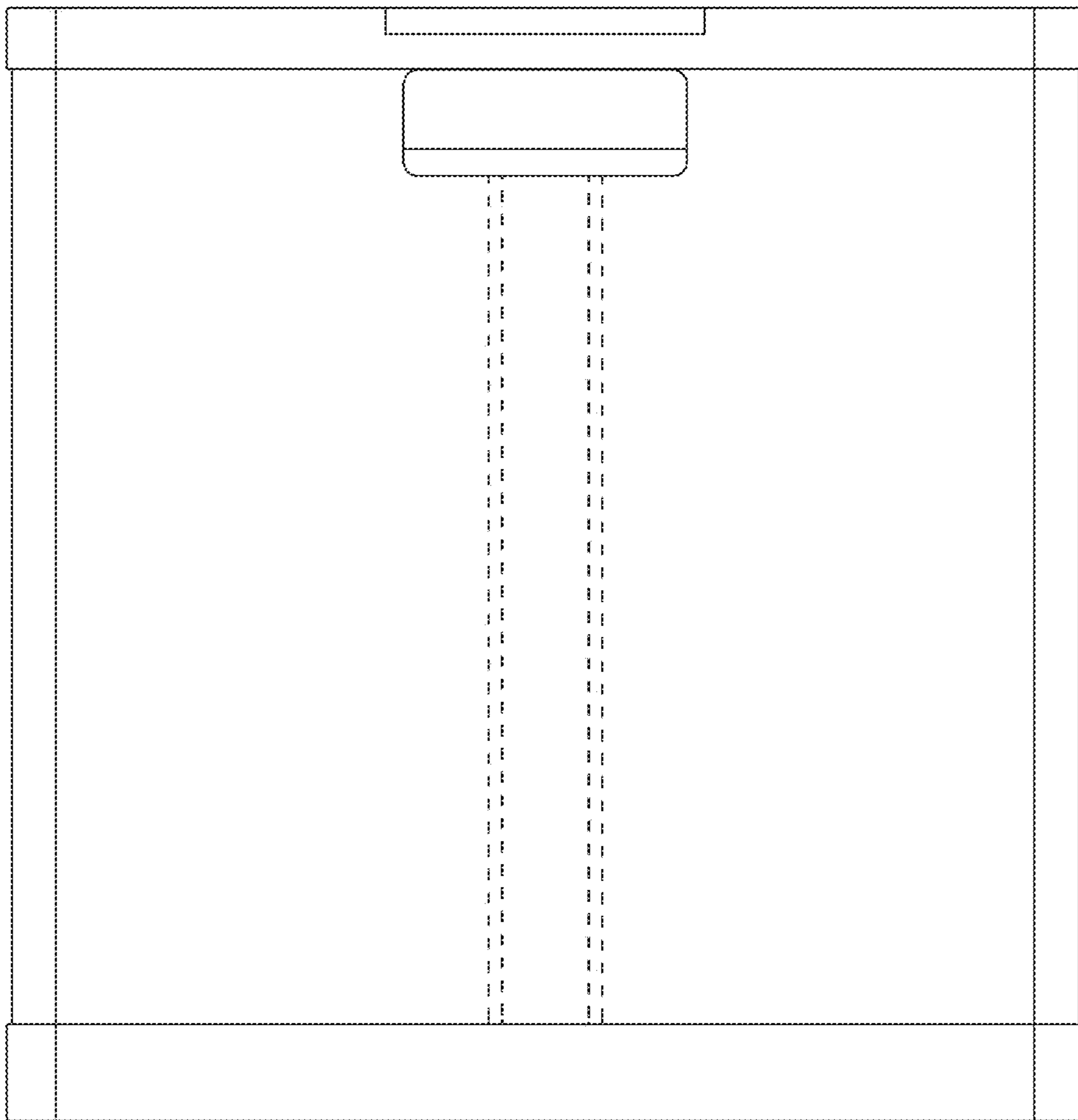


FIG. 7