



US00D942104S

(12) **United States Design Patent**
Kim et al.

(10) **Patent No.:** **US D942,104 S**
(45) **Date of Patent:** **** Jan. 25, 2022**

(54) **SHOE CARE MACHINE**

(71) Applicant: **Samsung Electronics Co., Ltd.**,
Suwon-si (KR)

(72) Inventors: **Myunggyu Kim**, Suwon-si (KR);
Sanghoon Yoon, Suwon-si (KR);
Kangkyung Lee, Suwon-si (KR)

(73) Assignee: **Samsung Electronics Co., Ltd.**,
Suwon-si (KR)

(**) Term: **15 Years**

(21) Appl. No.: **29/731,933**

(22) Filed: **Apr. 20, 2020**

(30) **Foreign Application Priority Data**

Dec. 23, 2019 (KR) 30-2019-0062417

(51) **LOC (13) Cl.** **07-05**

(52) **U.S. Cl.**
USPC **D32/59**

(58) **Field of Classification Search**
USPC D20/32; D32/1, 8, 58, 59
(Continued)

(56) **References Cited**

U.S. PATENT DOCUMENTS

1,493,294 A * 5/1924 Timberlake D06F 59/06
223/75
1,568,998 A * 1/1926 Bruce A47L 23/20
211/35

(Continued)

FOREIGN PATENT DOCUMENTS

CN 2015305315910 6/2016
CN 2018300264390 6/2018

(Continued)

OTHER PUBLICATIONS

Kooder dryer https://www.amazon.com/Kooder-dryer-Dryer-Drying-Eliminate/product-reviews/B08CMHP8XV/ref=cm_cr_getr_d_paging_btm_next_7 (Year: 2020).*

(Continued)

Primary Examiner — Michelle E. Wilson
Assistant Examiner — Richard E Yenchesky
(74) *Attorney, Agent, or Firm* — NSIP Law

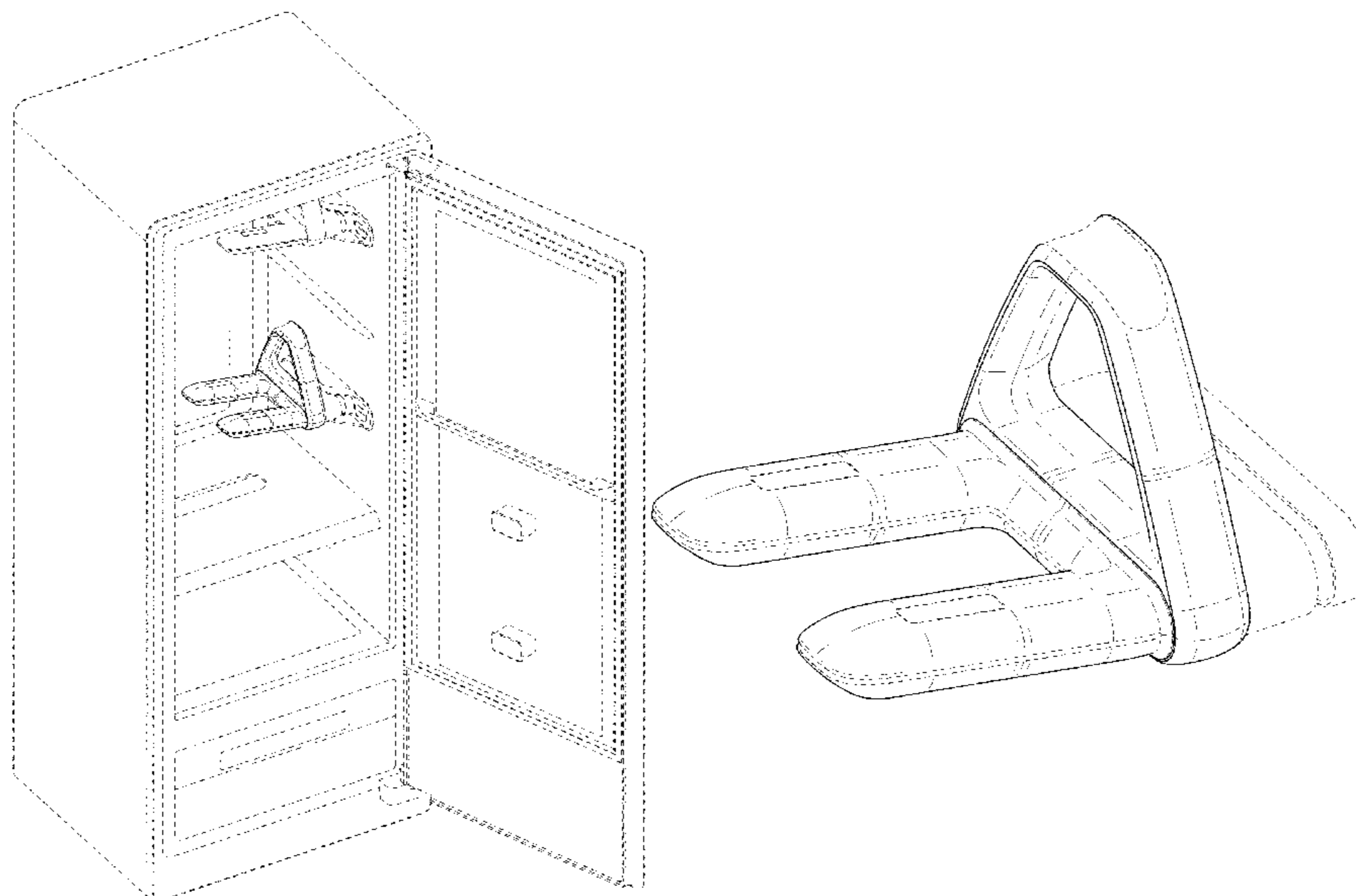
(57) **CLAIM**

We claim the ornamental design for a shoe care machine, as shown and described.

DESCRIPTION

FIG. 1 is a front perspective view of a shoe care machine showing our new design;
FIG. 2 is a front view thereof;
FIG. 3 is a rear view thereof;
FIG. 4 is a left-side view thereof;
FIG. 5 is a right-side view thereof;
FIG. 6 is a top view thereof;
FIG. 7 is a bottom view thereof;
FIG. 8 is an enlarged view of the encircled portion in FIG. 2;
FIG. 9 is an exploded front perspective view thereof with the shoe hanger feature separated from the shoe care machine;
FIG. 10 is an enlarged front perspective view of the shoe hanger feature shown separately from the shoe care machine, for clarity of illustration; and,
FIG. 11 is a bottom perspective view thereof.
The broken lines in the figures depict portions of the shoe care machine which form no part of the claimed design.
The dot-dash broken lines encircling portions of the claimed design that are illustrated in enlargements form no part of the claimed design.

1 Claim, 11 Drawing Sheets



(58) **Field of Classification Search**

CPC A47L 23/205; A47L 23/20; D06F 58/04;
D06F 59/06; F26B 21/008; F26B 11/00;
F26B 9/003

See application file for complete search history.

2011/0167665 A1* 7/2011 Peet F26B 9/003
34/218
2016/0076191 A1* 3/2016 Warren D06F 58/04
34/239
2021/0071950 A1* 3/2021 Ohnari F26B 11/00

FOREIGN PATENT DOCUMENTS

(56) **References Cited**

U.S. PATENT DOCUMENTS

D116,801 S * 9/1939 Freilich D20/32
2,453,183 A * 11/1948 Bersudsky D06F 59/06
223/77
D218,847 S * 9/1970 Specht D32/59
D221,798 S * 9/1971 Merrit D32/59
D310,742 S * 9/1990 Johnson D32/58
D350,633 S * 9/1994 Wong D32/59
5,692,316 A * 12/1997 Antal A47L 23/205
34/106
D412,231 S * 7/1999 Williams D32/58
D412,381 S * 7/1999 Peet D32/58
6,374,509 B1 * 4/2002 Jackson, Sr. D06F 58/04
34/106
6,591,517 B1 * 7/2003 Moore A47L 23/20
34/104
D496,502 S * 9/2004 Cheng D32/1
D519,255 S * 4/2006 Peet D32/59
D565,260 S * 3/2008 Lam D32/8
D653,007 S * 1/2012 Beckett D32/8
8,186,075 B2 * 5/2012 Beckett A47L 23/205
34/106
9,635,998 B2 * 5/2017 Dowell A47L 23/20
D830,658 S * 10/2018 Paffrath D32/59
10,870,944 B2 * 12/2020 Smoots F26B 21/008
D913,617 S * 3/2021 Santiago D32/35
D924,517 S * 7/2021 Smoots D32/58
2004/0010931 A1 * 1/2004 Naljotov A47L 23/205
34/104
2007/0277391 A1 * 12/2007 Beckett A47L 23/205
34/443
2009/0193676 A1 * 8/2009 Shengguang A47L 23/205
34/106

CN 2019303181286 12/2019
KR 30-2002-0035433 9/2003
KR 30-2009-0004786 4/2010
KR 30-2013-0057058 4/2014

OTHER PUBLICATIONS

Kwik Goal Dryer <https://www.dickssportinggoods.com/p/kwik-goal-shoe-dryer-20kgoushdryrxxxxxsca/20kgoushdryrxxxxxsca> (Year: 2020).*

Dick's Sporting Goods Pamlini <https://www.dickssportinggoods.com/p/kwik-goal-shoe-dryer-20kgoushdryrxxxxxsca/20kgoushdryrxxxxxsca?sku=21769404> (Year: 2021).*

Home Depot Powerstrip <https://www.homedepot.com/p/GE-6-Outlet-Grounded-Power-Strip-55253/206212331> (Year: 2021).*

“[신애바람] 신발건조기 SA100” [2020] www.11st.co.kr Apr. 20, 2020 <http://www.11st.co.kr/product/SellerProductDetail.tmall?method=getSellerProductDetail&prdNo=2012523311&NaPm=ct=k47rmkeglci=0751a08af5e2853dcc1c09cae1174eb4ec42db7c&tr=slslsn=17703lhk=e3f828b9345bba2a1f374e92f1c82946e1880257&utm_term=&utm_campaign=%B3%D7%C0%CC%B9%F6pc_%B0%A1%B0%DD%BA%F1%B1%B3%B1%E2%BA%BB&utm_source=%B3%D7%C0%CC%B9%F6_PC_PCS&utm_medium=%B0%A1%B0%DD%BA%F1%B1%B3>.

“[해외] Automatic Timing Dryer Warmer Electric Shoe Boot Socks Drying Warmer Machine Dry Shoes Device Warmer 110V US Plug(2) / Automatic Timing Dryer Warmer, Electric Shoe Boot Socks Drying Warmer Machine Dry Shoes Device Warmer 110V US Plug . . . ” [2020] www.usa.freeship.co.kr Apr. 20, 2020 <<https://usa.freeship.co.kr/goods/content.asp?guid=17169458>>.

Belatecuchi “SS-700 shoes dryer” [2020] www.biccamera.com Apr. 20, 2020 <<https://www.biccamera.com.e.lj.hp.transer.com/bc/item/1712937/>>.

* cited by examiner

FIG. 1

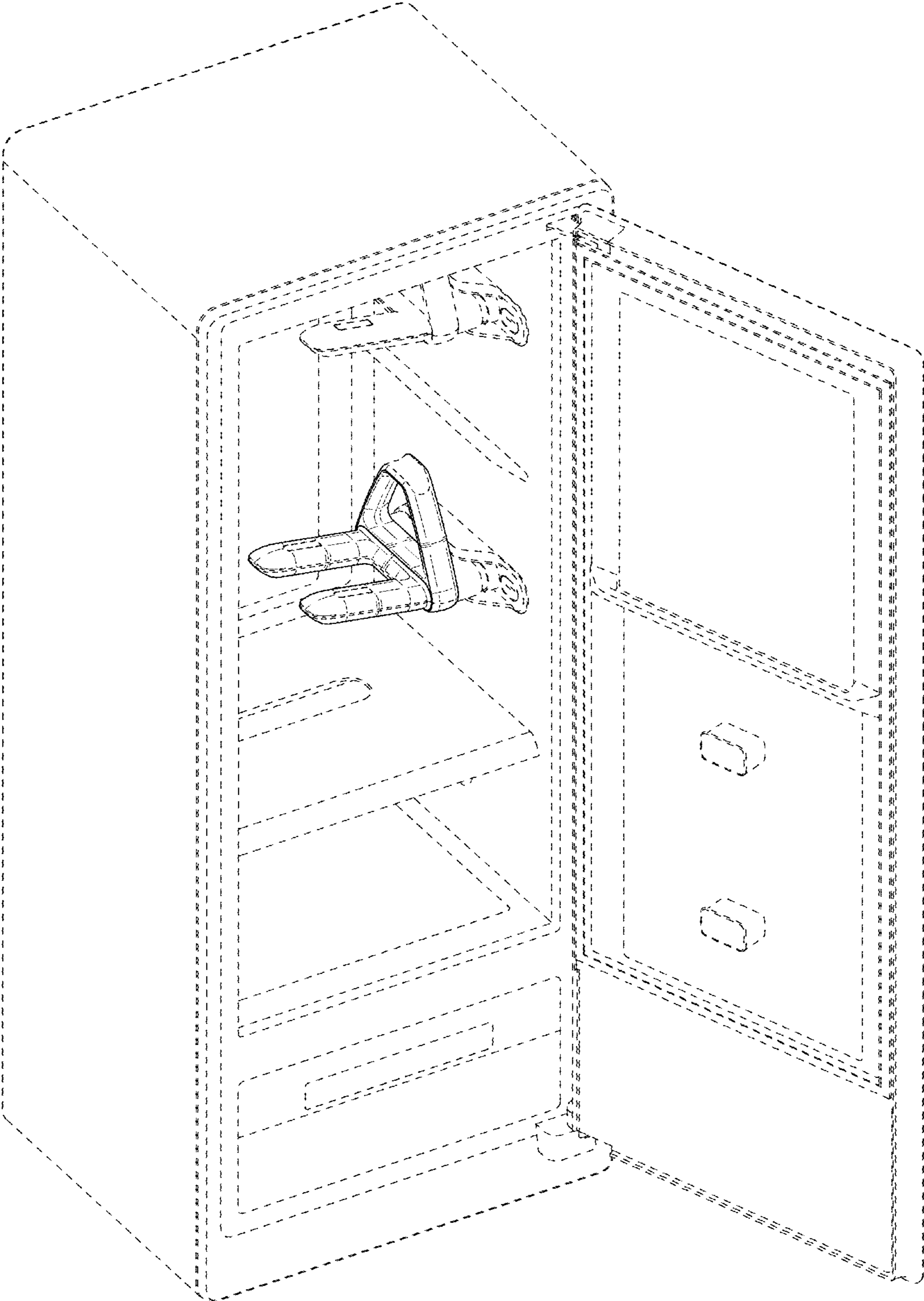


FIG. 2

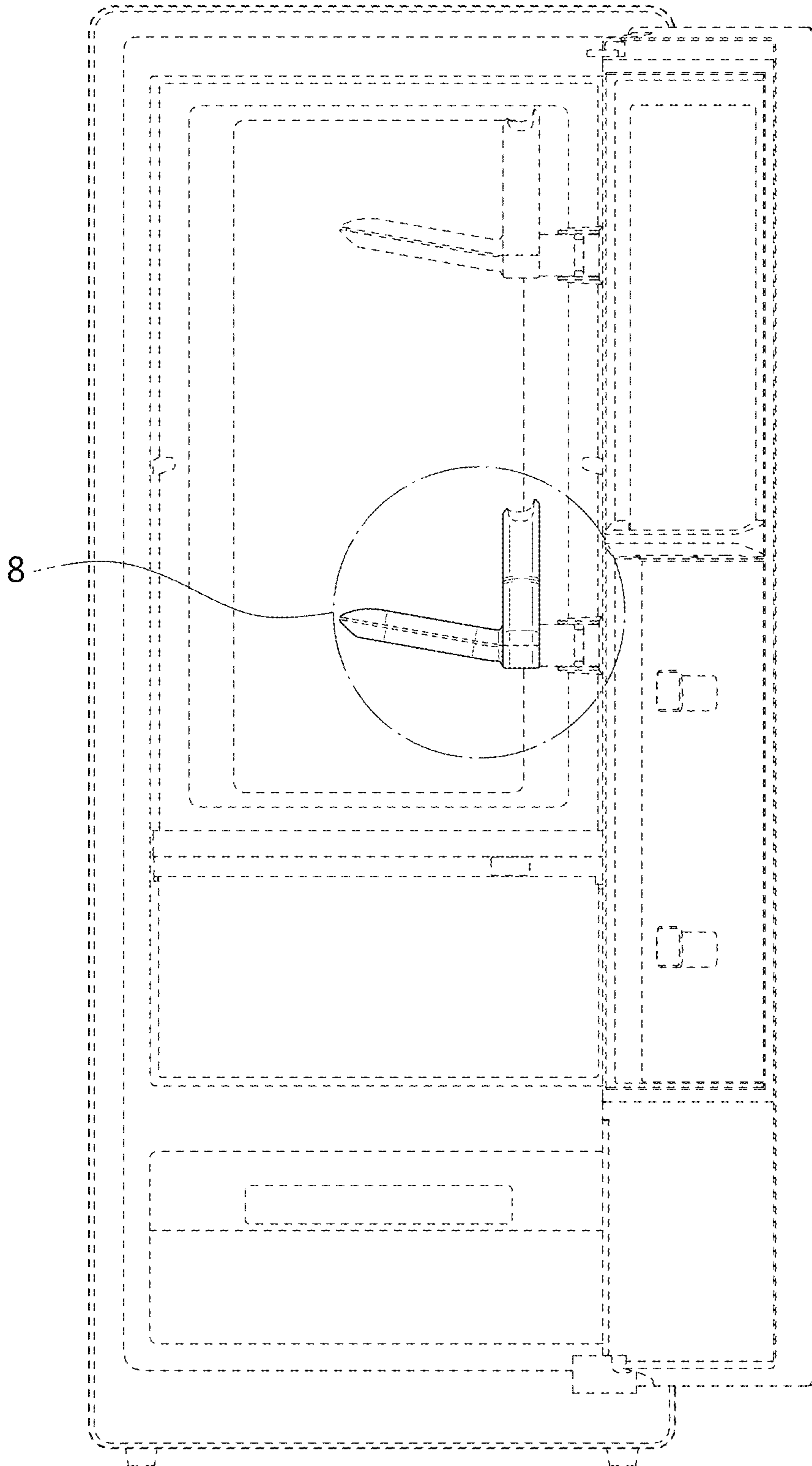


FIG. 3

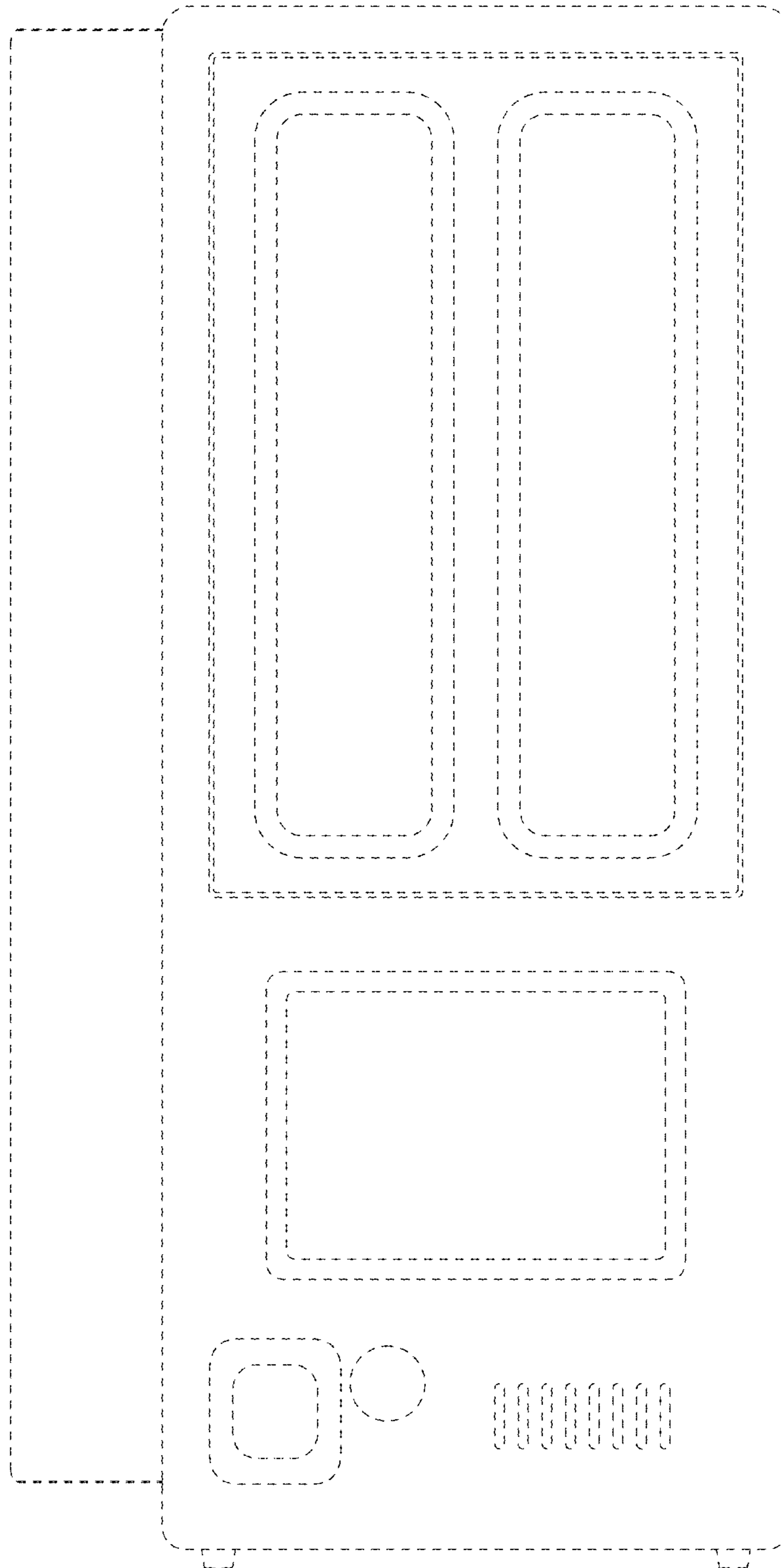


FIG. 4

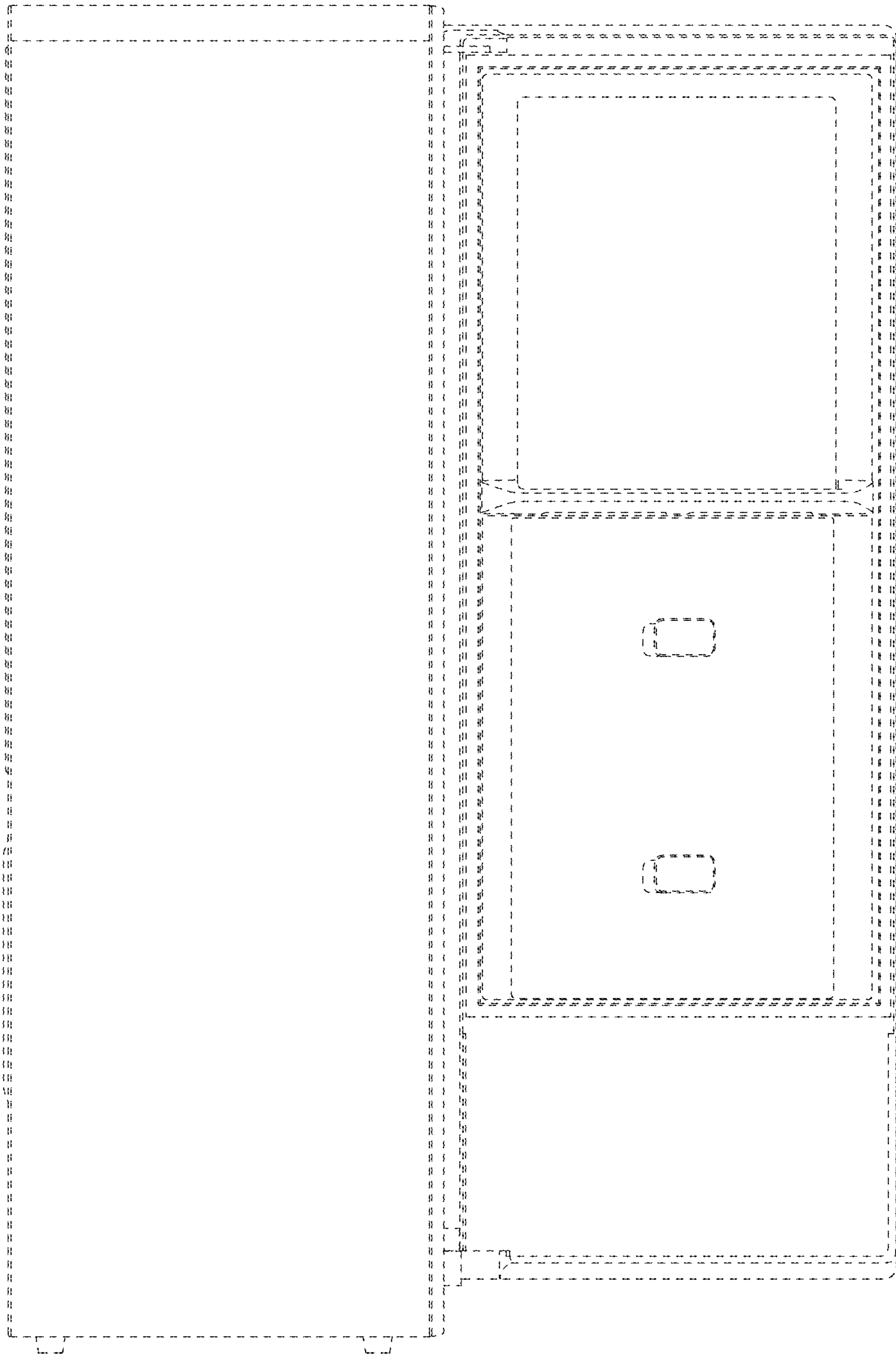


FIG. 5

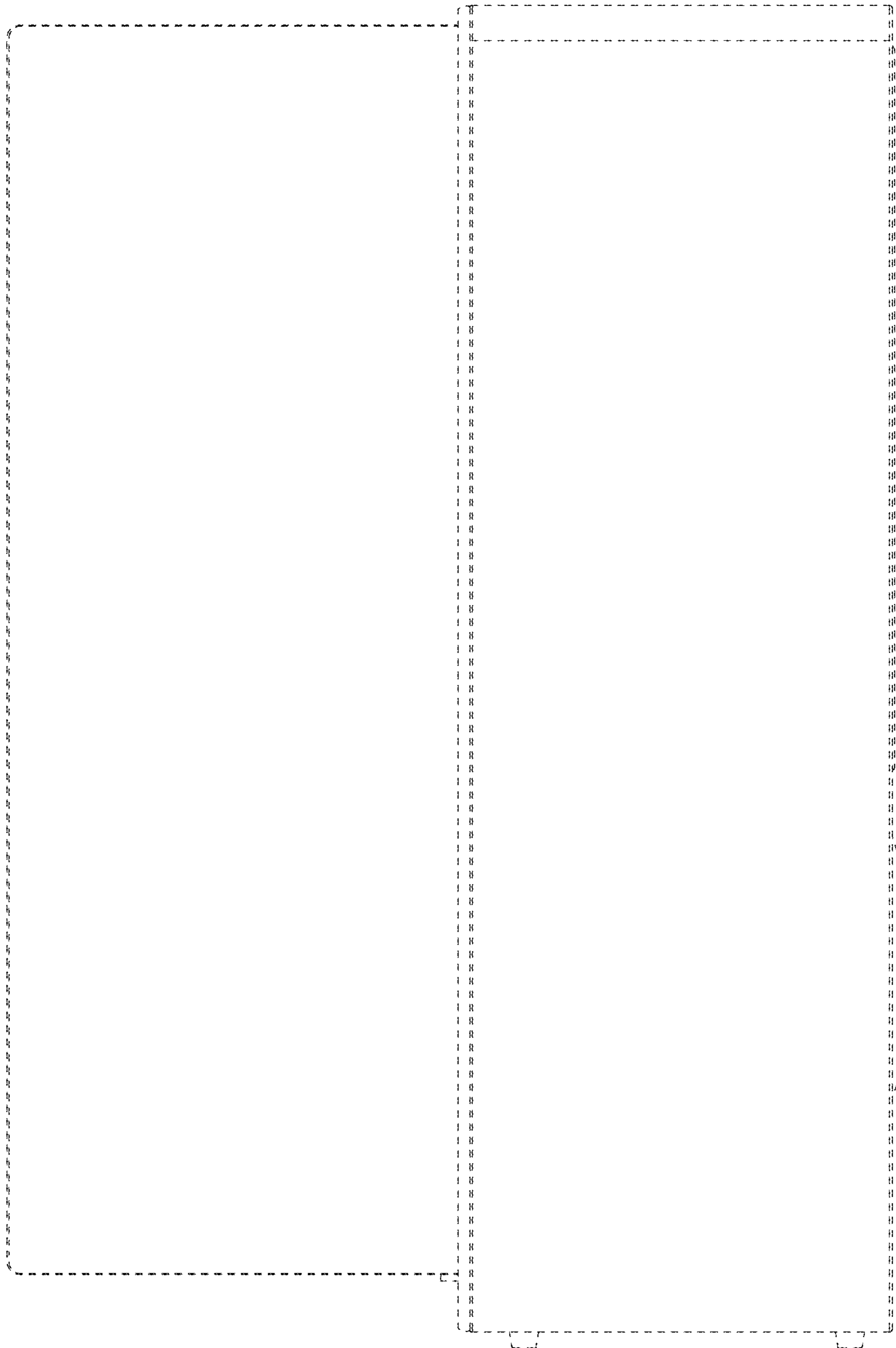


FIG. 6

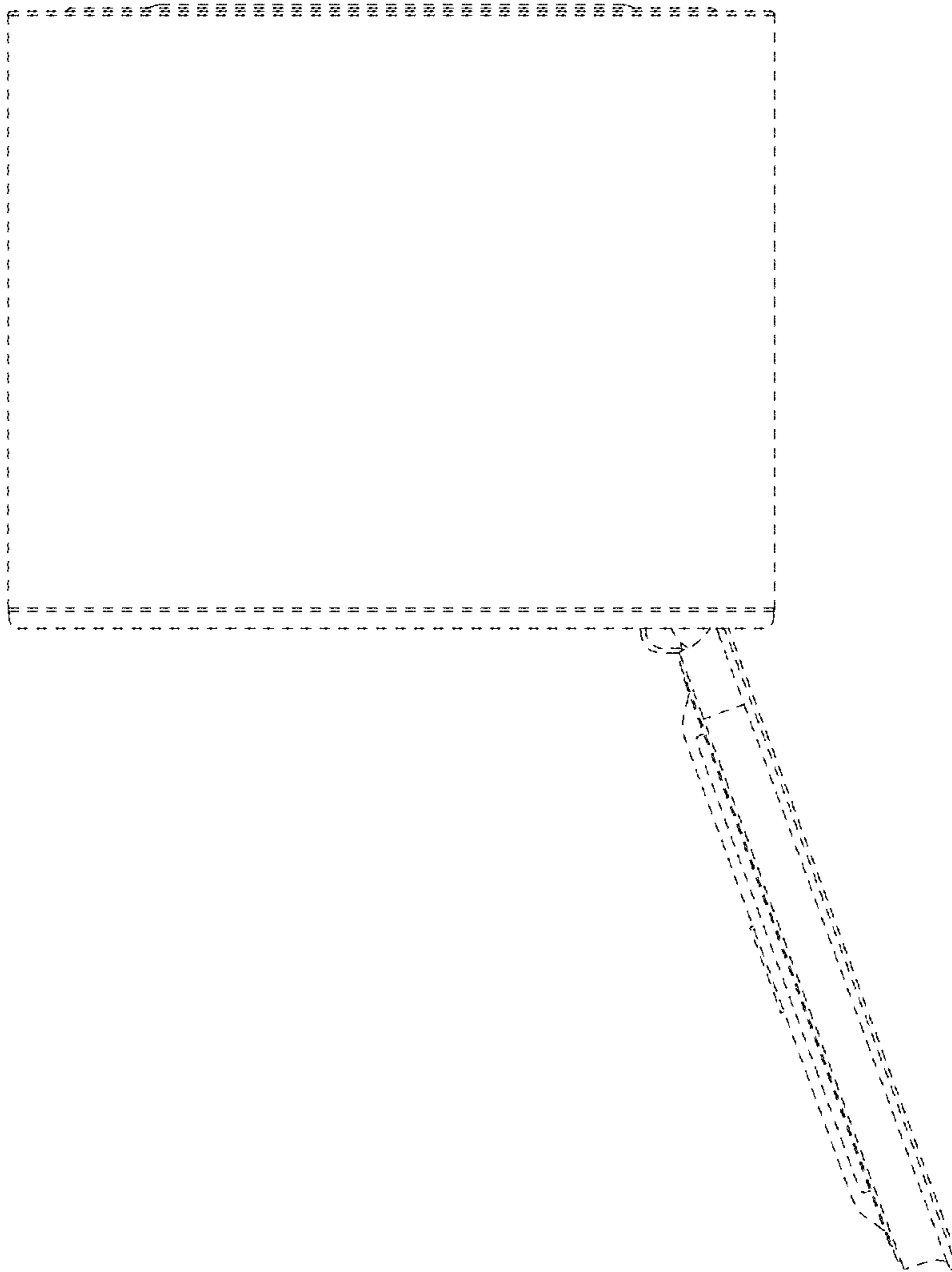


FIG. 7

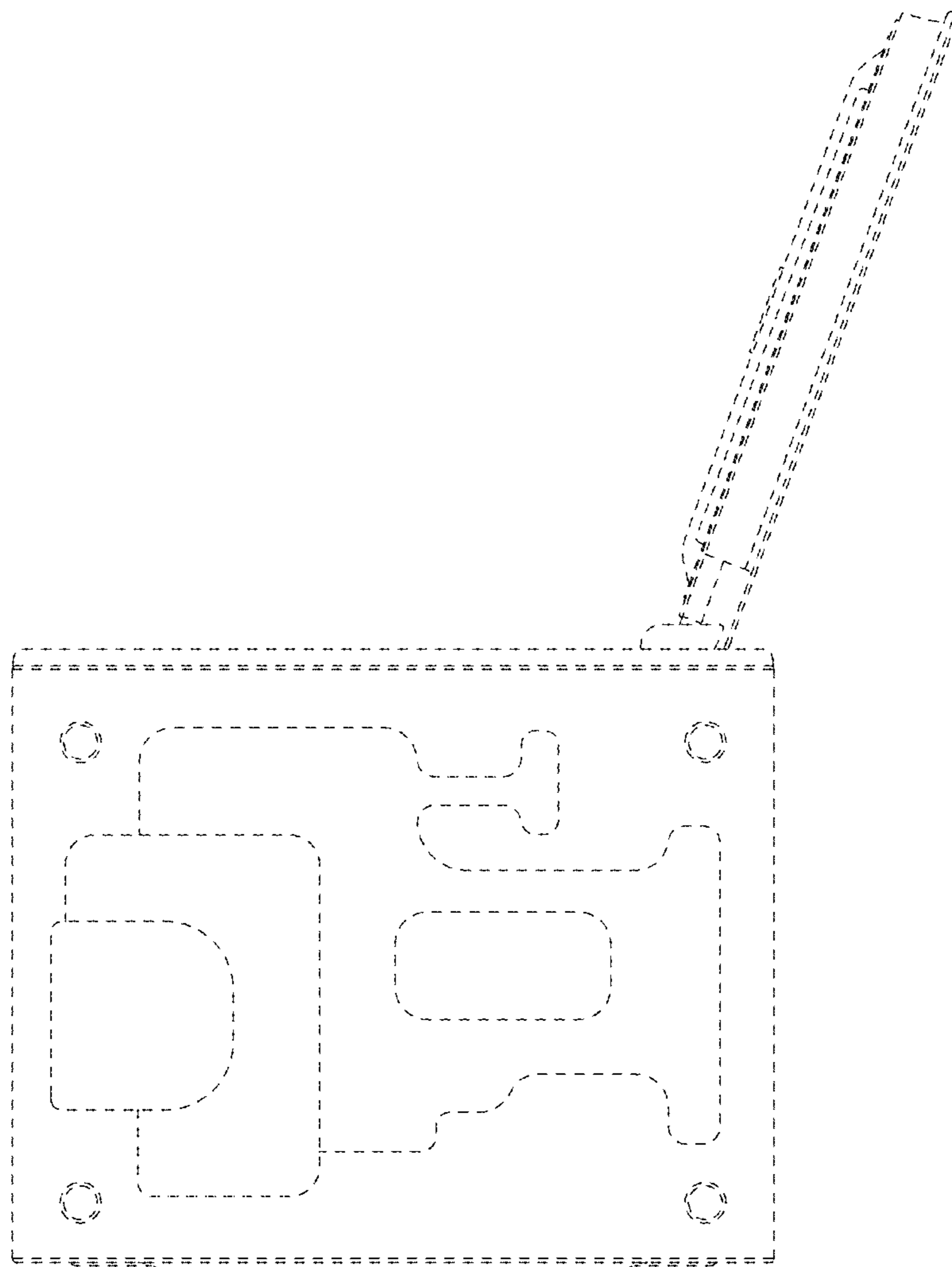


FIG. 8

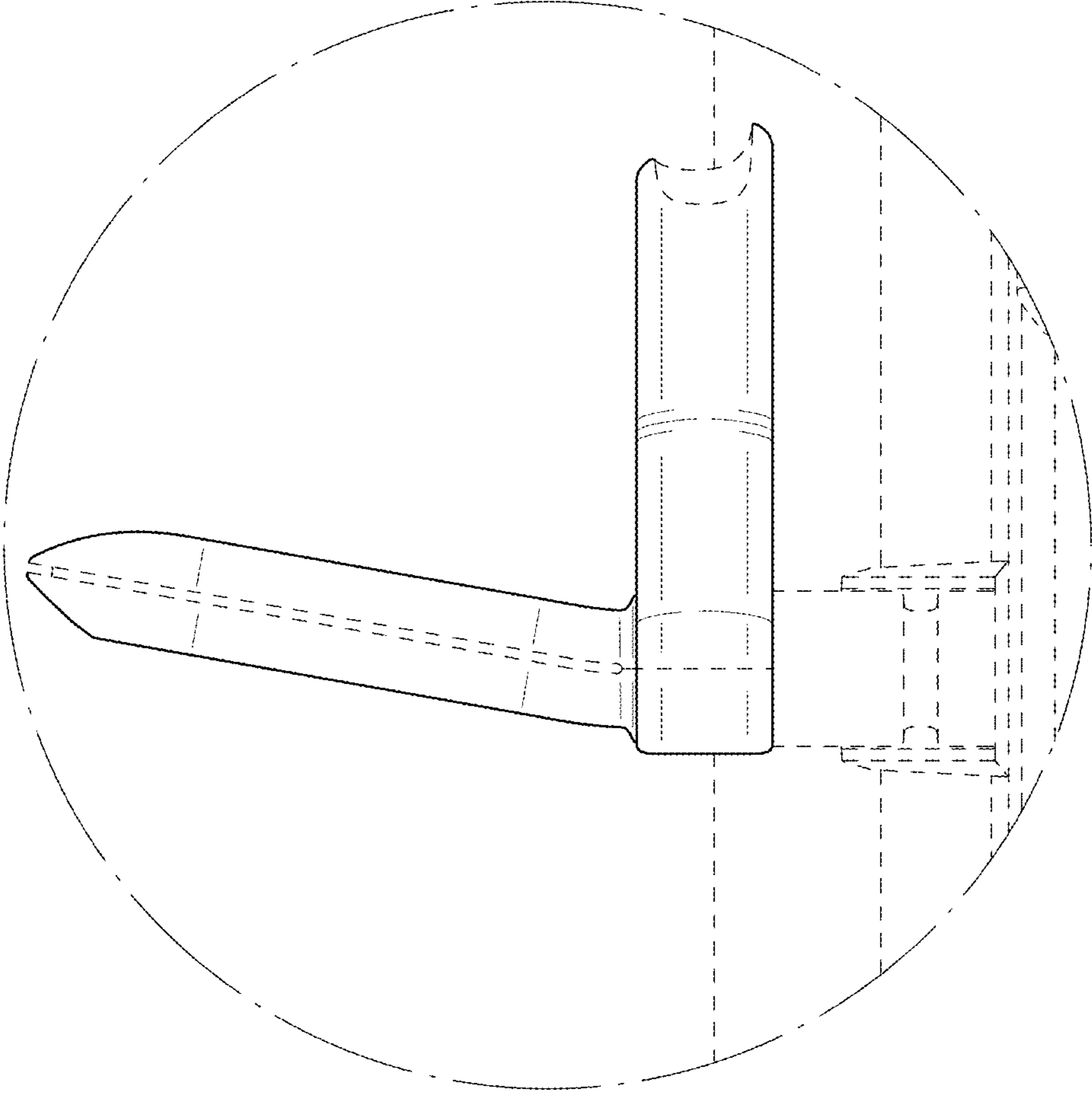


FIG. 9

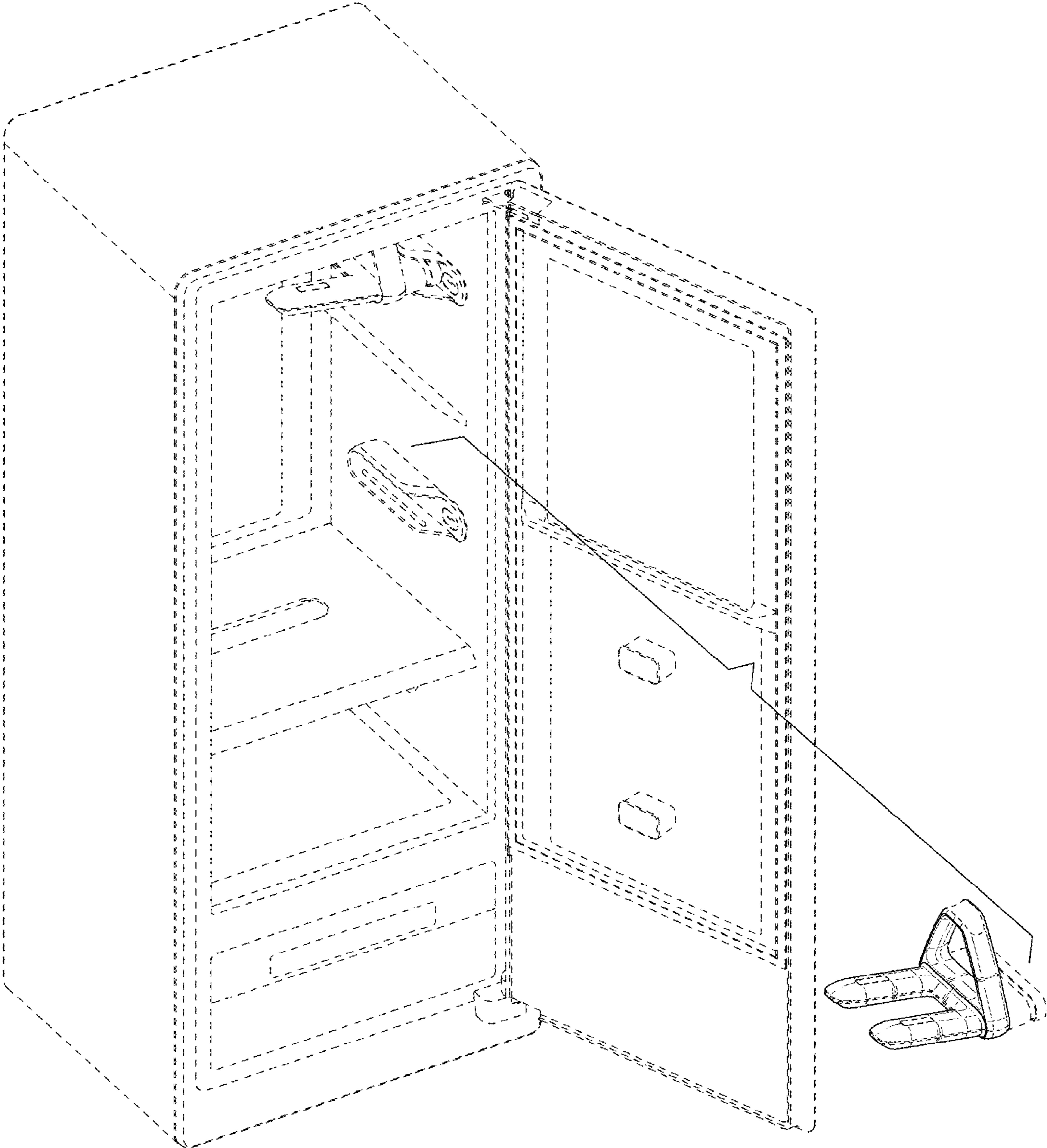


FIG. 10

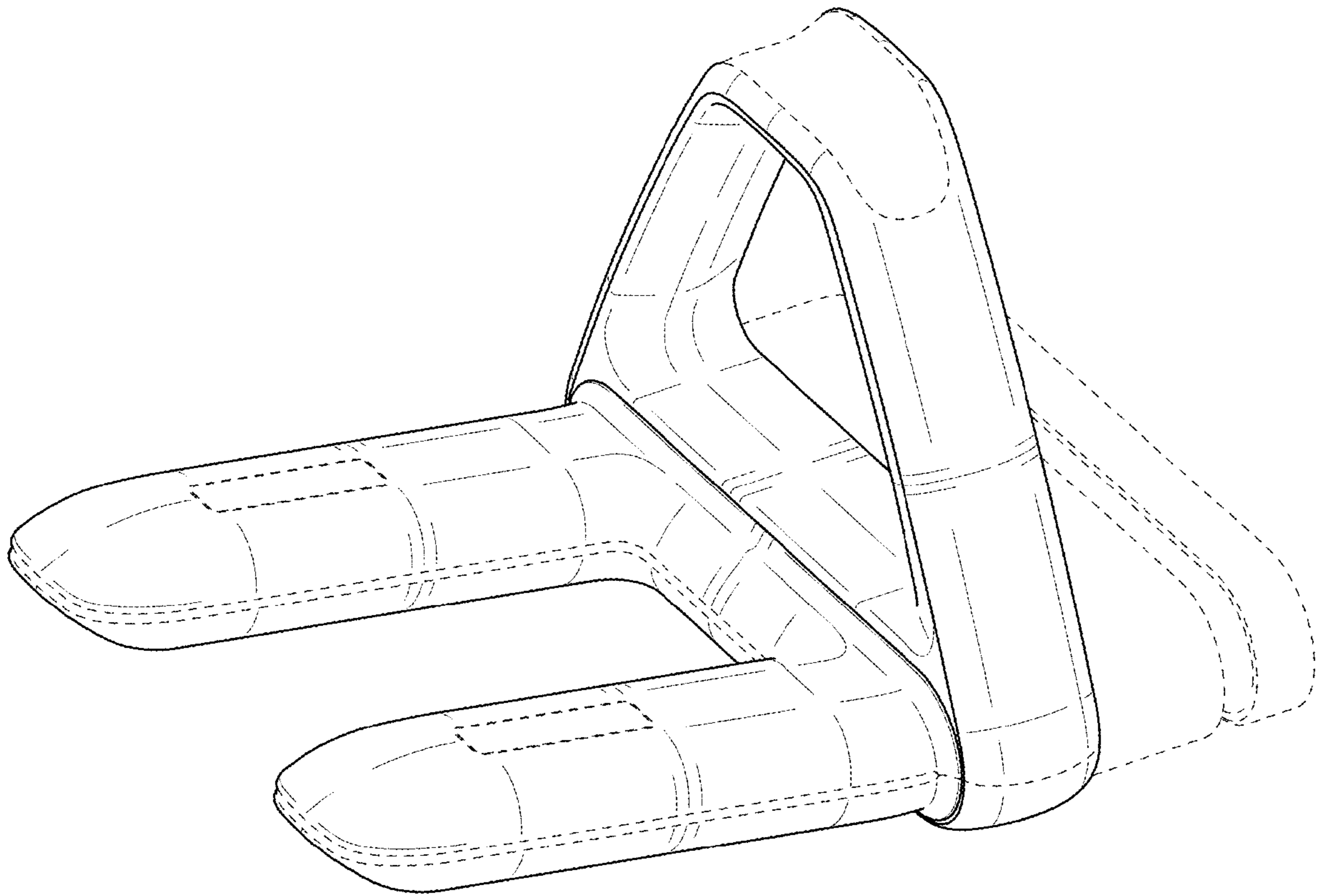


FIG. 11

