



US00D942103S

(12) **United States Design Patent**
Cai et al.

(10) **Patent No.:** **US D942,103 S**
(45) **Date of Patent:** **** Jan. 25, 2022**

- (54) **MOP BUCKET LID**
- (71) Applicant: **Endliss Technology, Inc.**, Hayward, CA (US)
- (72) Inventors: **Sen Cai**, Hayward, CA (US);
Weiguang Huang, Hayward, CA (US)
- (73) Assignee: **Endliss Technology, Inc.**, Hayward, CA (US)
- (**) Term: **15 Years**
- (21) Appl. No.: **29/771,345**
- (22) Filed: **Feb. 22, 2021**

6,671,923 B2 * 1/2004 Gromnicki A47L 13/59
15/261
D499,223 S * 11/2004 Libman D32/53
D518,262 S * 3/2006 Jurgens D32/53
(Continued)

OTHER PUBLICATIONS

Mop Bucket <https://www.aliexpress.com/item/32929333406.html> (Year: 2021).*

(Continued)

Primary Examiner — Michelle E. Wilson
Assistant Examiner — Richard E Yenchesky
(74) *Attorney, Agent, or Firm* — Bishop, Diehl & Lee, Ltd.

Related U.S. Application Data

- (62) Division of application No. 29/713,268, filed on Nov. 14, 2019, now Pat. No. Des. 915,705.
- (51) **LOC (13) Cl.** **07-05**
- (52) **U.S. Cl.**
USPC **D32/53**
- (58) **Field of Classification Search**
USPC D32/53, 53.1, 54
CPC A47L 13/59; A47L 13/12; A47L 13/58;
A47J 47/18; B44D 3/128; B44D 3/12;
B44D 3/126; B65D 35/22; B65D 25/14
See application file for complete search history.

(57) **CLAIM**

The ornamental design for a mop bucket lid, as shown and described.

DESCRIPTION

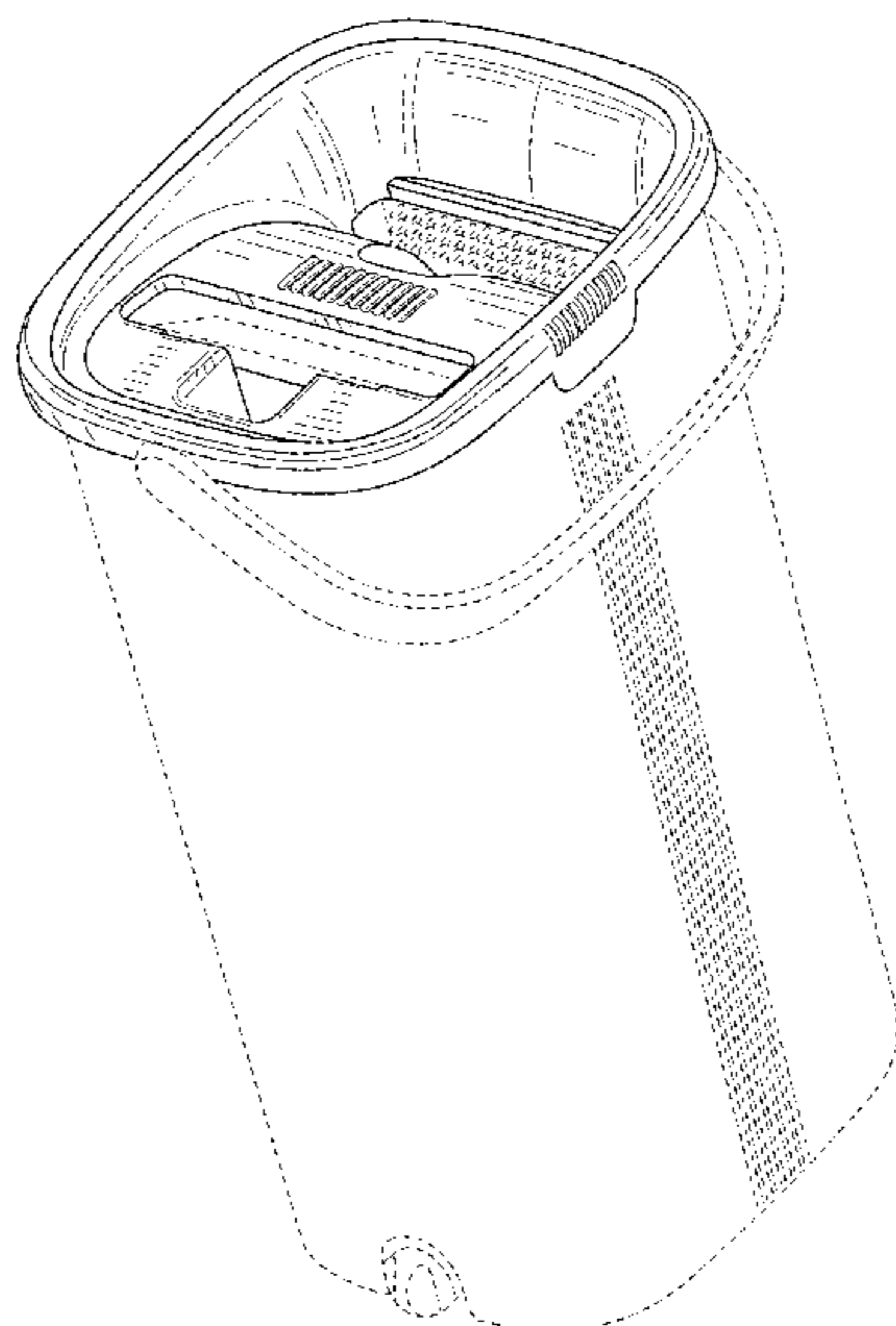
FIG. 1 is a perspective view of a mop bucket lid mounted on a bucket showing the new design;
FIG. 2 is a front view of the mop bucket lid as shown in FIG. 1;
FIG. 3 is a back view of the mop bucket lid as shown in FIG. 1;
FIG. 4 is a left-side view of the mop bucket lid as shown in FIG. 1;
FIG. 5 is a right-side view of the mop bucket lid as shown in FIG. 1;
FIG. 6 is a top view of the mop bucket lid as shown in FIG. 1; and,
FIG. 7 is a bottom view of the mop bucket lid removed from the bucket.
The broken lines showing the mop bucket in the appended drawings are for illustrative purposes only and form no part of the claimed design or a specified embodiment thereof.

(56) **References Cited**

U.S. PATENT DOCUMENTS

- 1,722,130 A * 7/1929 Finstad A47L 13/58
15/263
- D255,976 S * 7/1980 Maza D32/54
- D362,941 S * 10/1995 Delmerico D32/53
- 5,983,441 A * 11/1999 Williams A47L 13/58
15/260
- 6,065,175 A * 5/2000 Tejerina A47L 13/12
15/116.1
- 6,389,638 B1 * 5/2002 Dickinson A47L 13/59
15/261

1 Claim, 5 Drawing Sheets



(56)

References Cited

U.S. PATENT DOCUMENTS

D525,404	S *	7/2006	Petner	D32/53
7,318,247	B2 *	1/2008	Libman	A47J 47/18
				15/260
D578,263	S *	10/2008	Pho	D32/53
D593,269	S *	5/2009	Weiler	D32/53
D641,116	S *	7/2011	Jones	D32/53
D643,982	S *	8/2011	Franklin	D32/53
D645,628	S *	9/2011	Tseng	D32/53
D693,080	S *	11/2013	Shao	D32/53
D698,512	S *	1/2014	Howard	D32/53
D728,882	S *	5/2015	Tsai	A47L 13/59
				D32/53
D741,561	S *	10/2015	Zeng	D32/53
D748,880	S *	2/2016	Lentine	D32/53
D756,582	S *	5/2016	Libman	D32/53
D804,125	S *	11/2017	Rueckheim	D32/53
D818,235	S *	5/2018	Luedke	D32/53
D907,317	S *	1/2021	Zhang	D32/53
D907,873	S *	1/2021	Zhang	D32/53
D915,705	S *	4/2021	Cai	D32/53
D919,213	S *	5/2021	Lin	D32/53
D919,214	S *	5/2021	Lin	D32/53
D919,215	S *	5/2021	Lin	D32/53

OTHER PUBLICATIONS

Mopson <https://www.amazon.com/Moppson-Wringer-Cleaning-Washable-Microfiber/dp/B07SRRHL5V> (Year: 2019).*

* cited by examiner

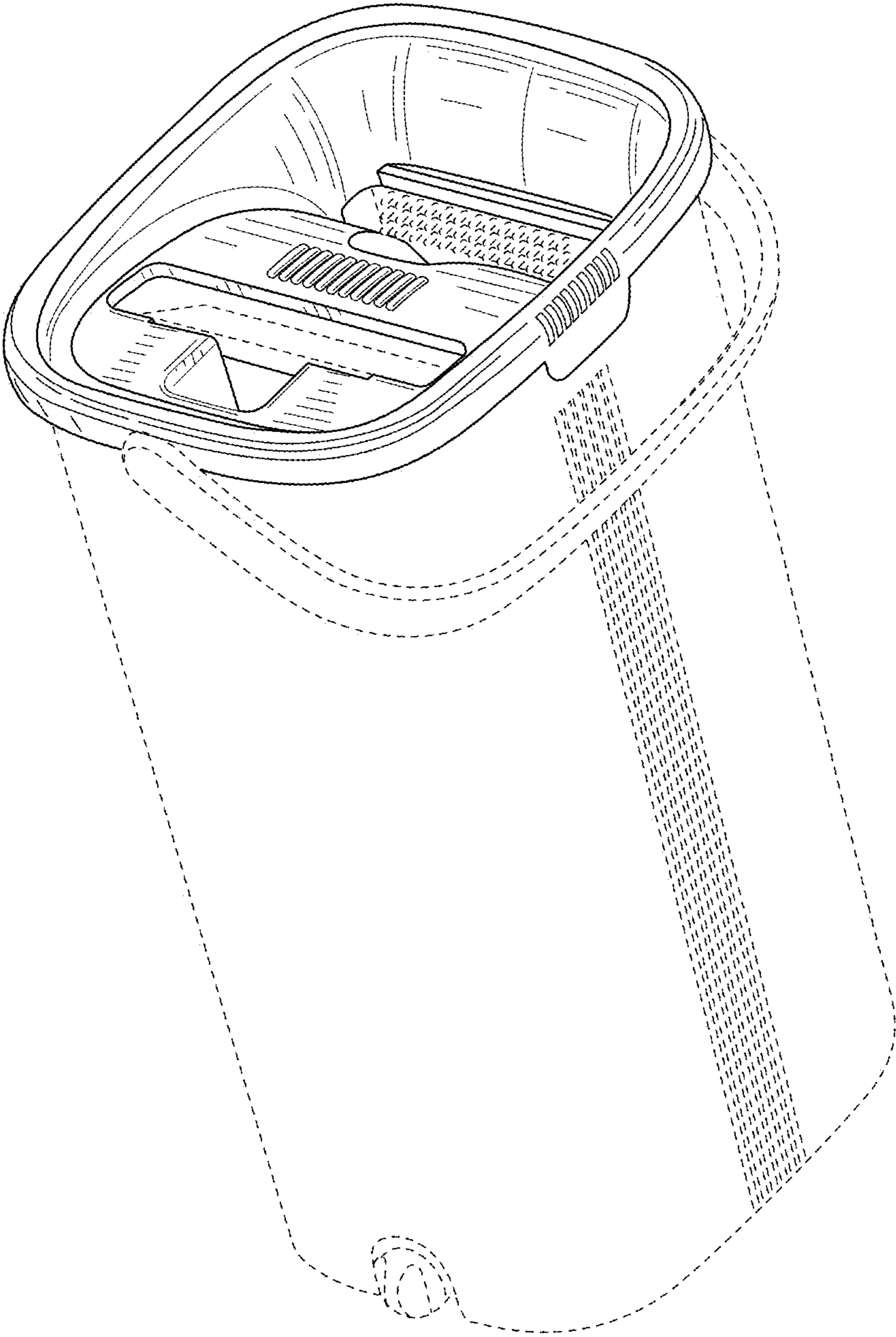


FIG. 1

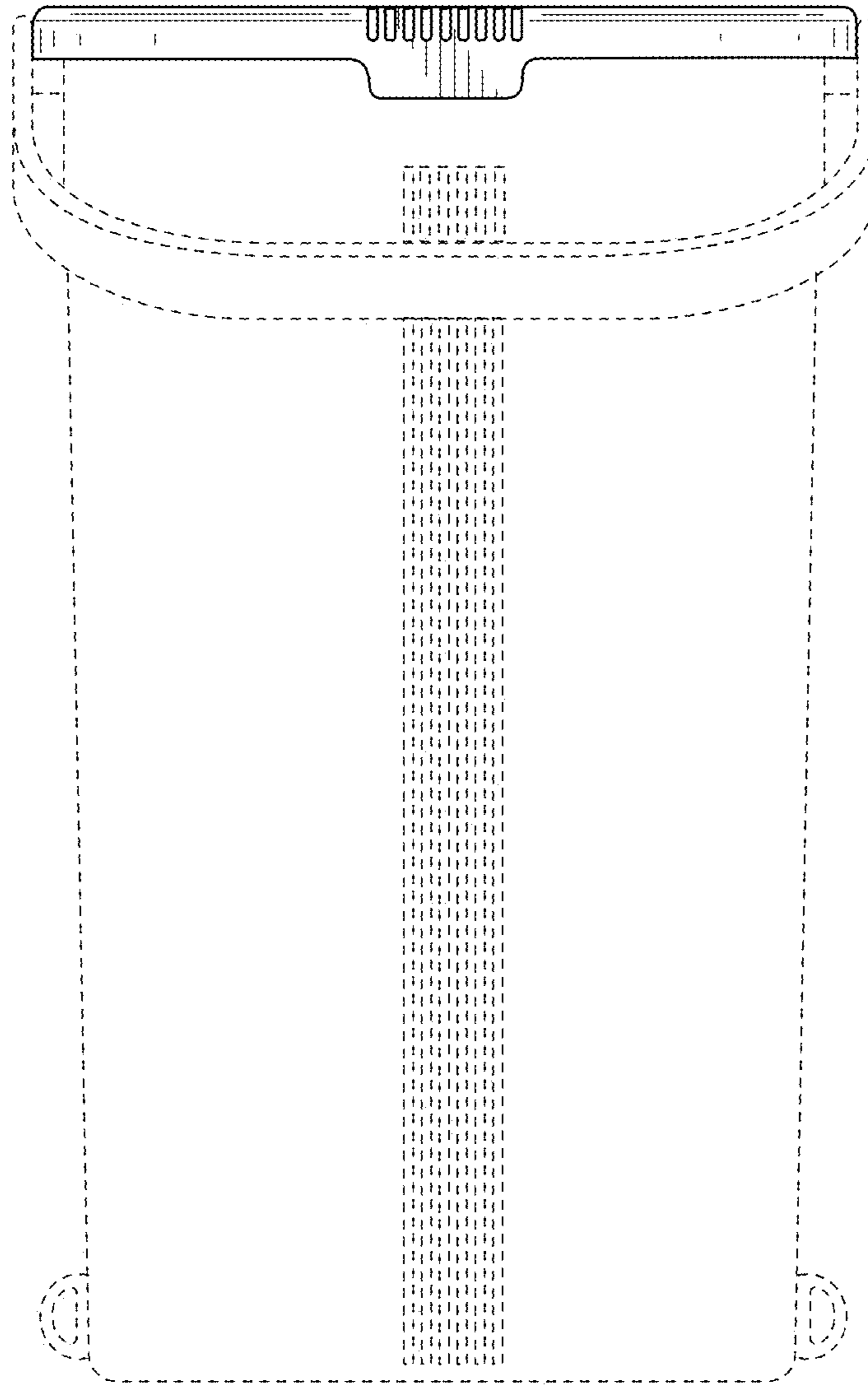


FIG. 2

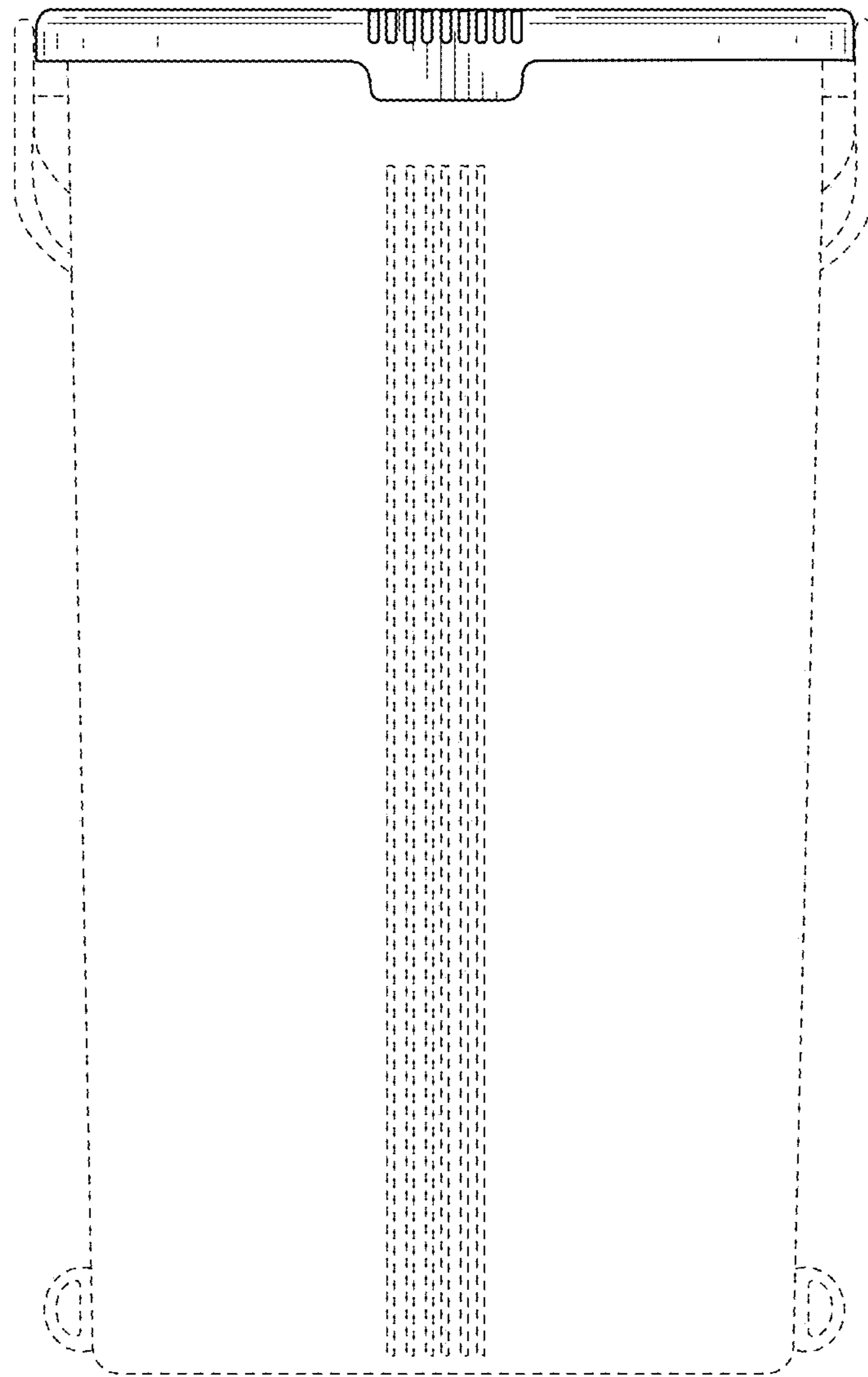


FIG. 3

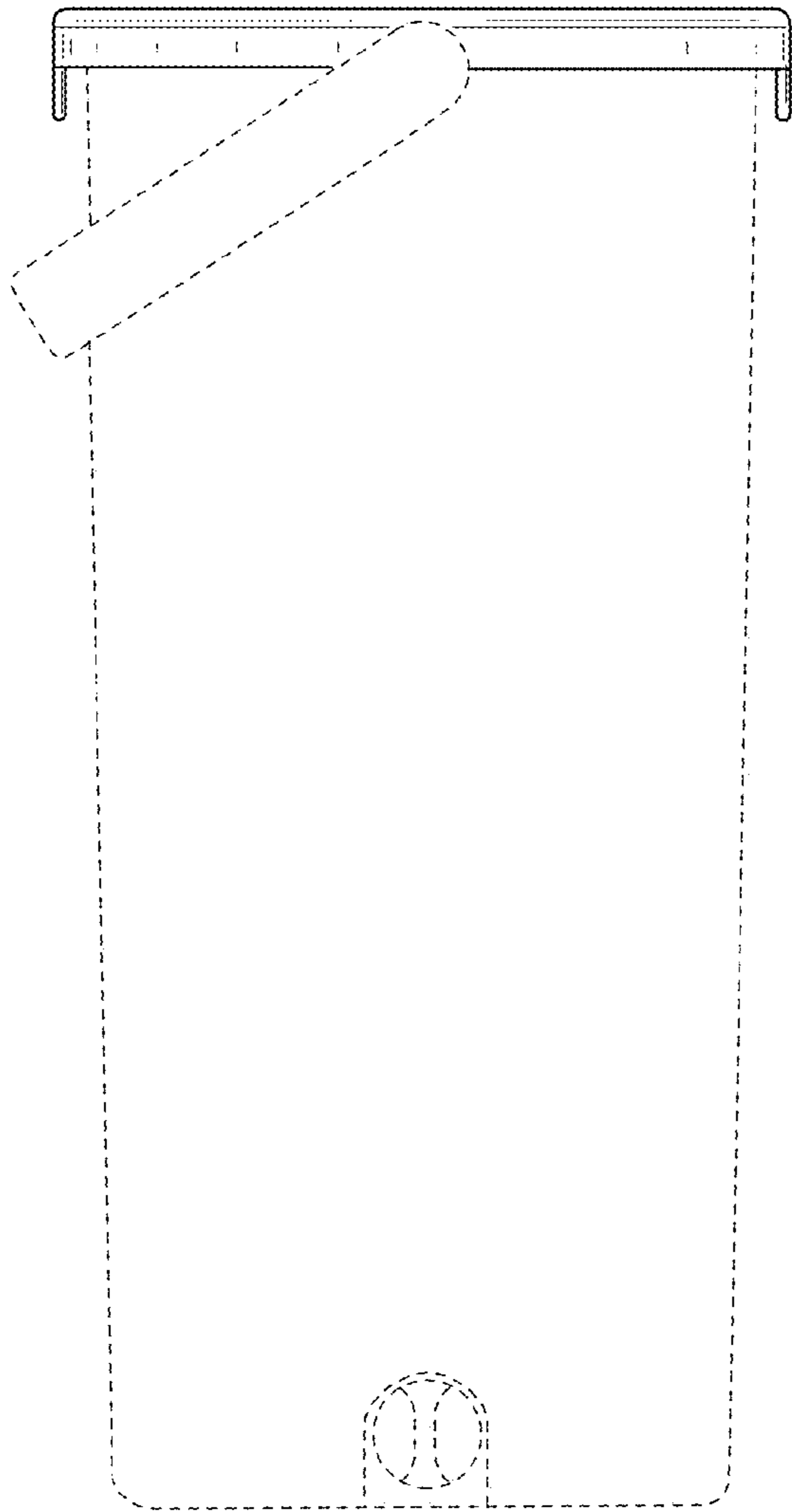


FIG. 4

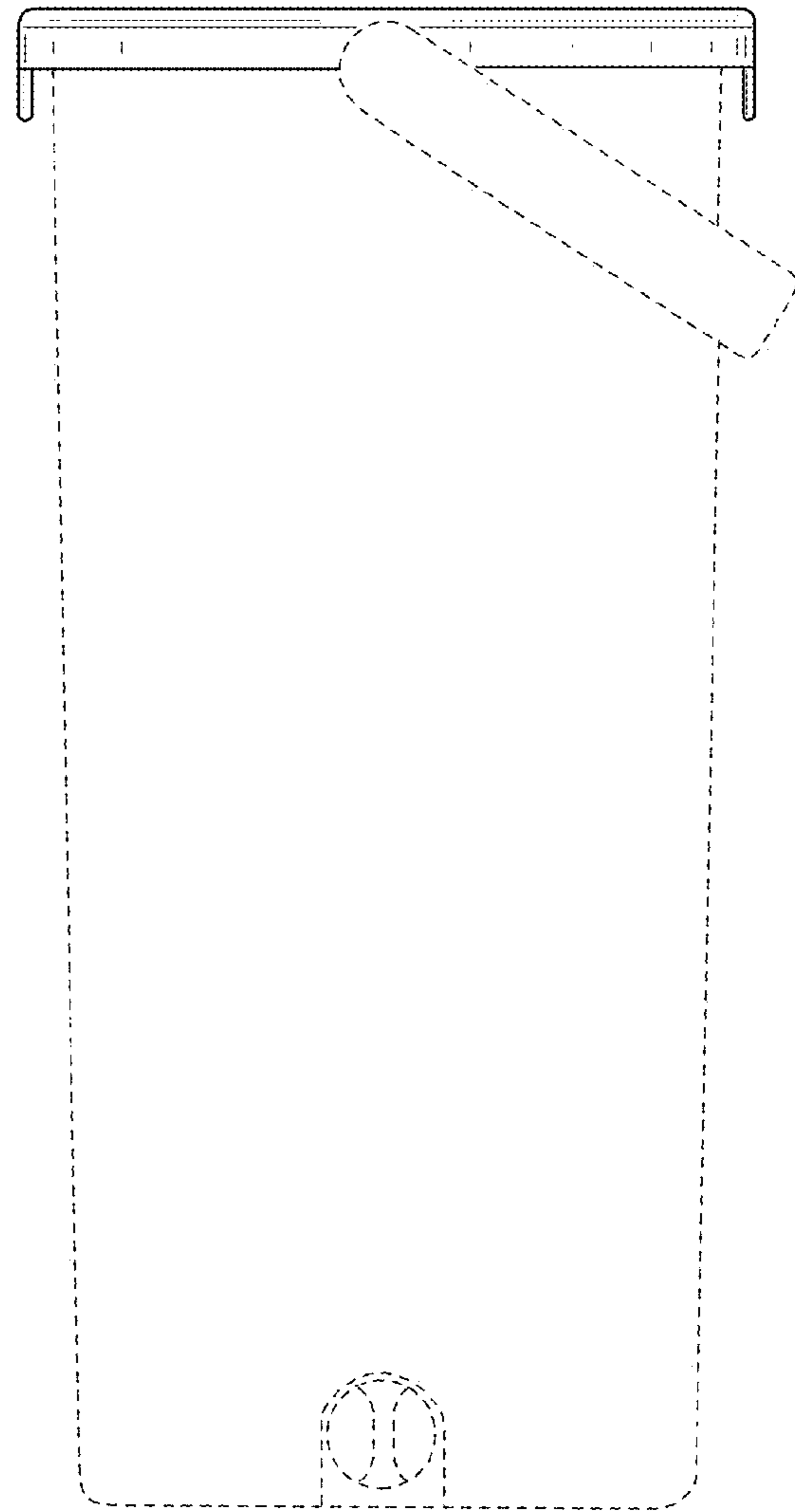


FIG. 5

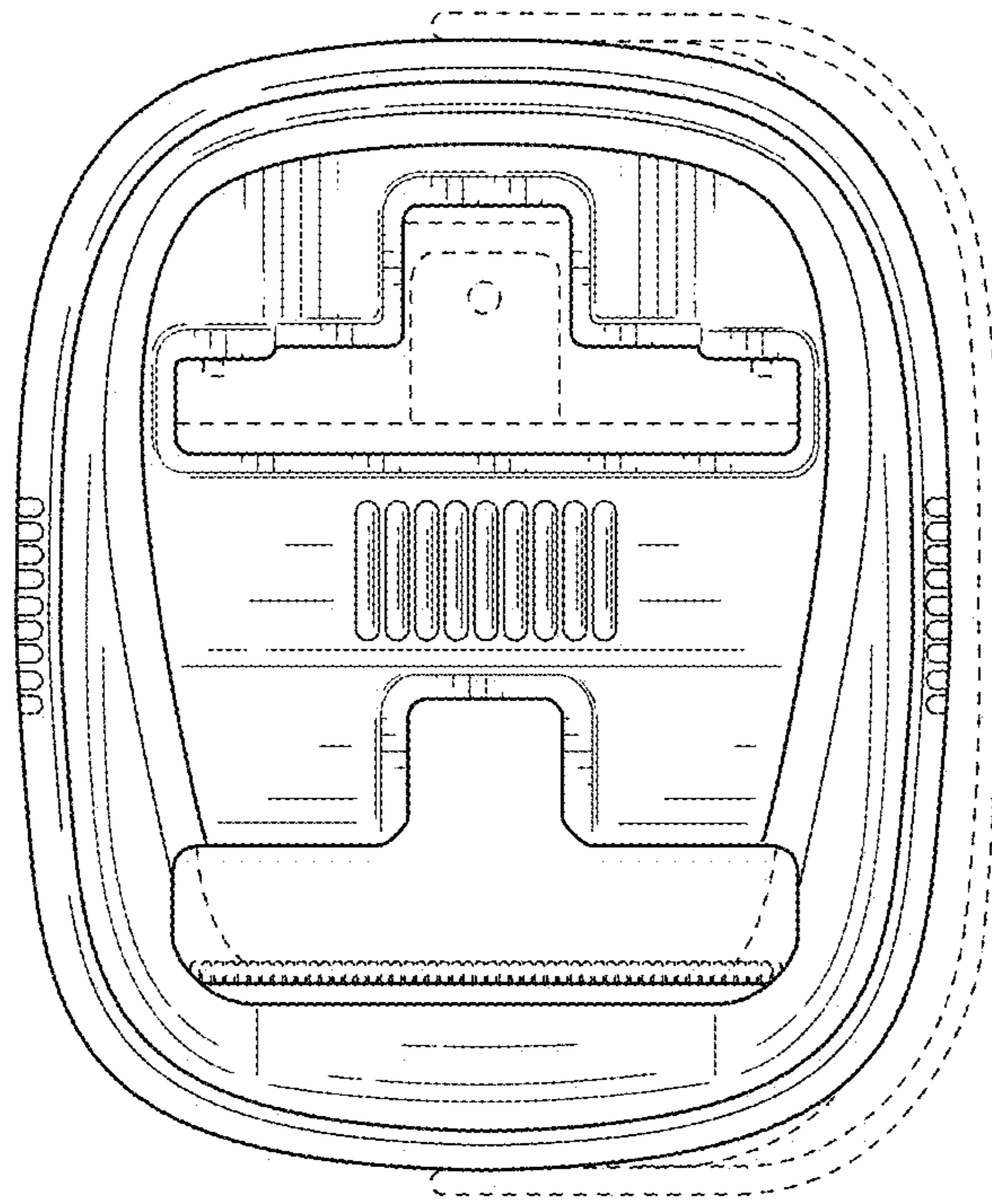


FIG. 6

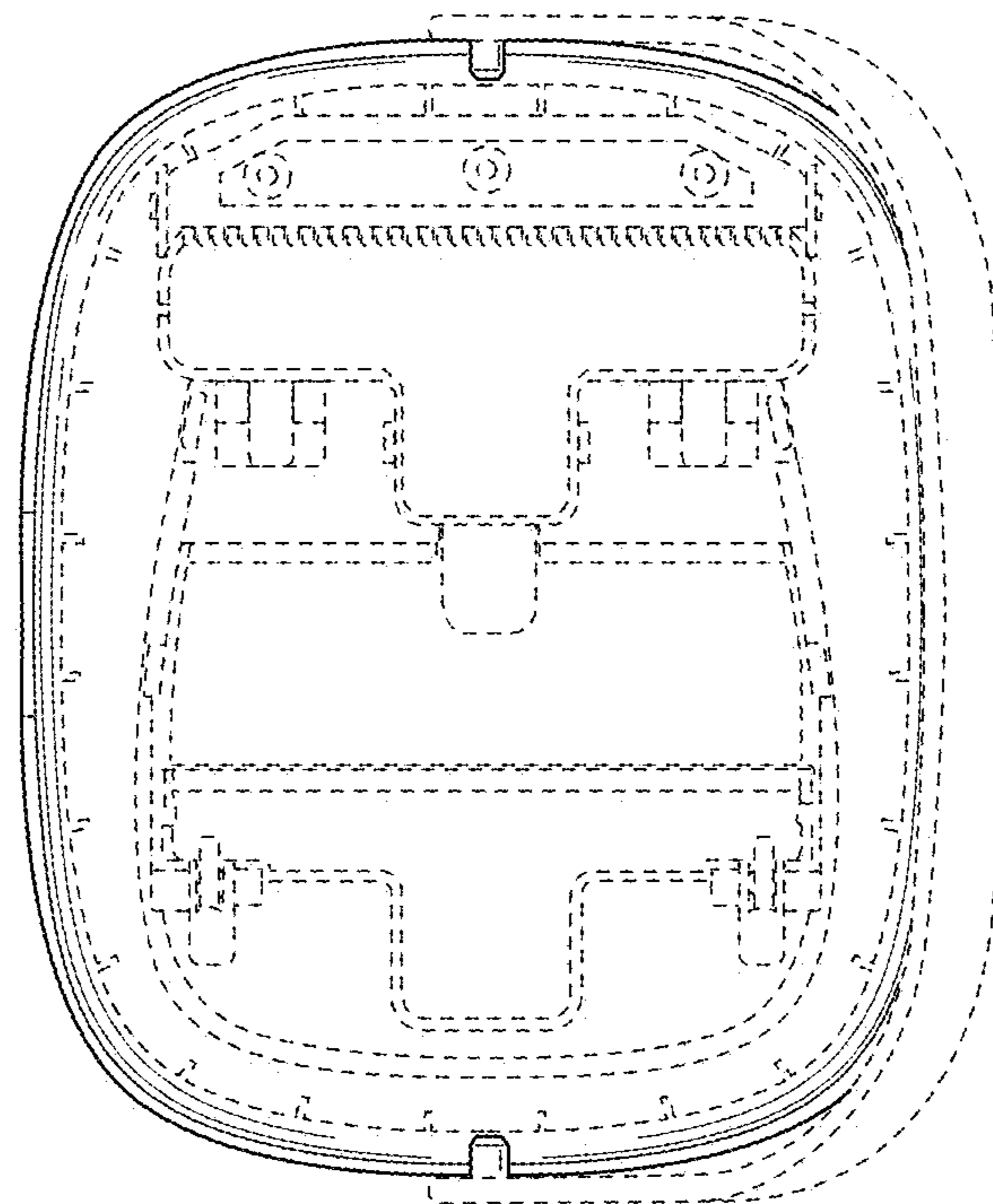


FIG. 7