



US00D942100S

(12) **United States Design Patent** (10) **Patent No.:** **US D942,100 S**  
**Israel** (45) **Date of Patent:** **\*\* Jan. 25, 2022**

(54) **AIR GRILL**  
(71) Applicant: **Vornado Air, LLC**, Andover, KS (US)  
(72) Inventor: **Gary P. Israel**, Andover, KS (US)  
(73) Assignee: **Vornado Air, LLC**, Andover, KS (US)  
(\*\*) Term: **15 Years**  
(21) Appl. No.: **29/662,963**

D620,208 S \* 7/2010 Mangano ..... D32/17  
D634,493 S \* 3/2011 Breit ..... D32/17  
D656,693 S \* 3/2012 Lavy ..... D32/17  
D674,564 S \* 1/2013 Mangano ..... D32/17  
D702,406 S \* 4/2014 Mu ..... D32/17  
D708,801 S \* 7/2014 Israel ..... D32/17  
D733,982 S \* 7/2015 Cui ..... D32/17  
D771,331 S \* 11/2016 Chaklos ..... D32/17  
D826,492 S \* 8/2018 Huang ..... D32/17  
D838,066 S \* 1/2019 Peng ..... D32/17  
D844,263 S \* 3/2019 Ediger ..... D32/17  
10,258,207 B2 \* 4/2019 Stewen ..... A47L 1/05

\* cited by examiner

(22) Filed: **Sep. 11, 2018**  
(51) **LOC (13) Cl.** ..... **15-05**  
(52) **U.S. Cl.**  
USPC ..... **D32/25**  
(58) **Field of Classification Search**  
USPC ..... D32/17, 18, 22, 25, 31  
CPC ... A47L 5/24; A47L 5/362; A47L 5/36; A47L  
5/28; A47L 9/102; A47L 9/1683; B01D  
50/002  
See application file for complete search history.

Primary Examiner — Michelle E. Wilson

(57) **CLAIM**

I claim the ornamental design for an air grill, as shown and described.

**DESCRIPTION**

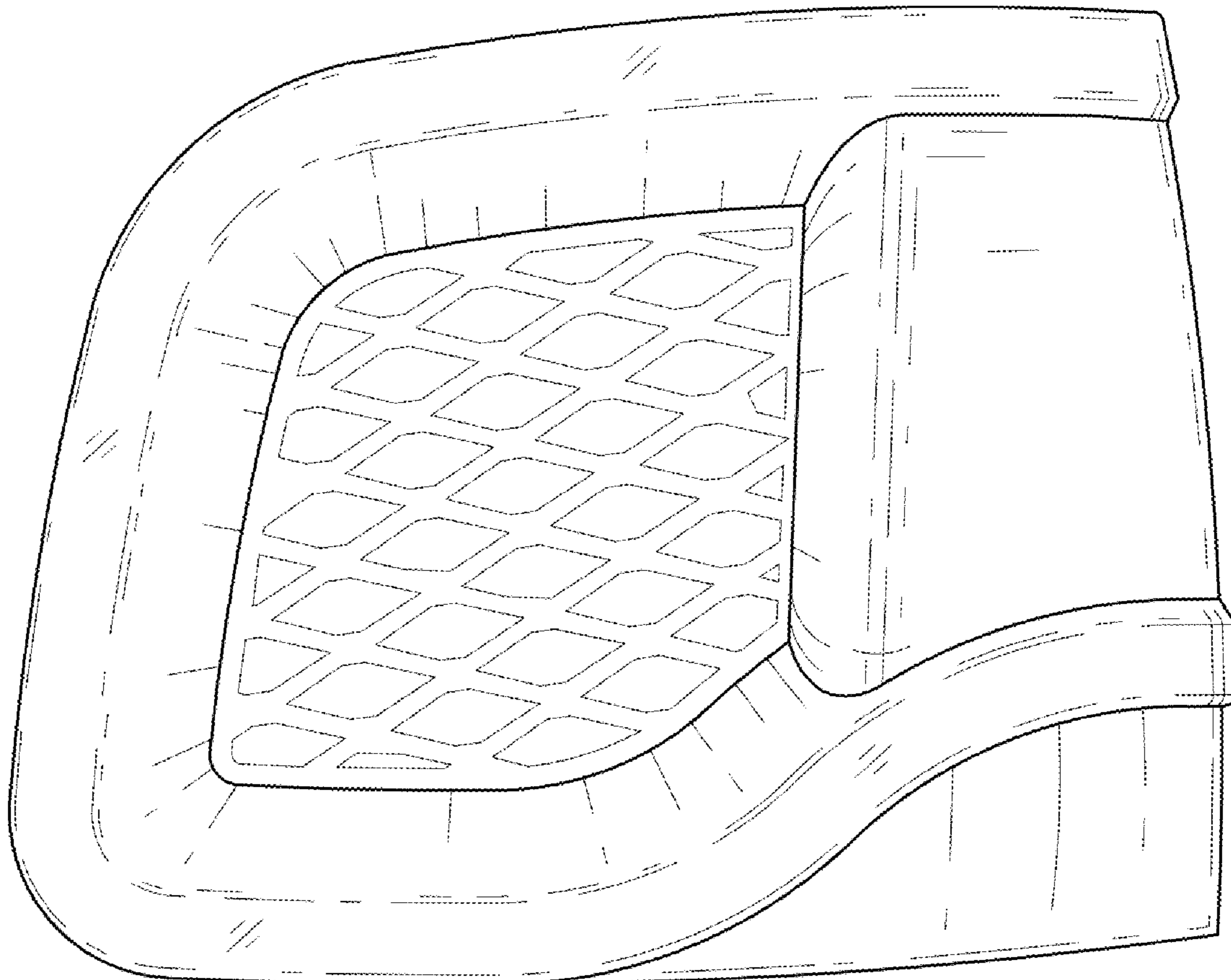
FIG. 1 is a front elevation view of the air grill of the present invention; and,  
FIG. 2 is a front elevation view of the air grill on the surface of a hand-held steamer.  
The top, bottom, left, right and back sides of the air grill are unornamented.  
The broken lines represent portions of the structure that form no part of the claim.

(56) **References Cited**

U.S. PATENT DOCUMENTS

D452,051 S \* 12/2001 Antonio ..... D32/17  
D481,183 S \* 10/2003 Mangano ..... D32/17  
D485,651 S \* 1/2004 Lin ..... D32/17

**1 Claim, 2 Drawing Sheets**



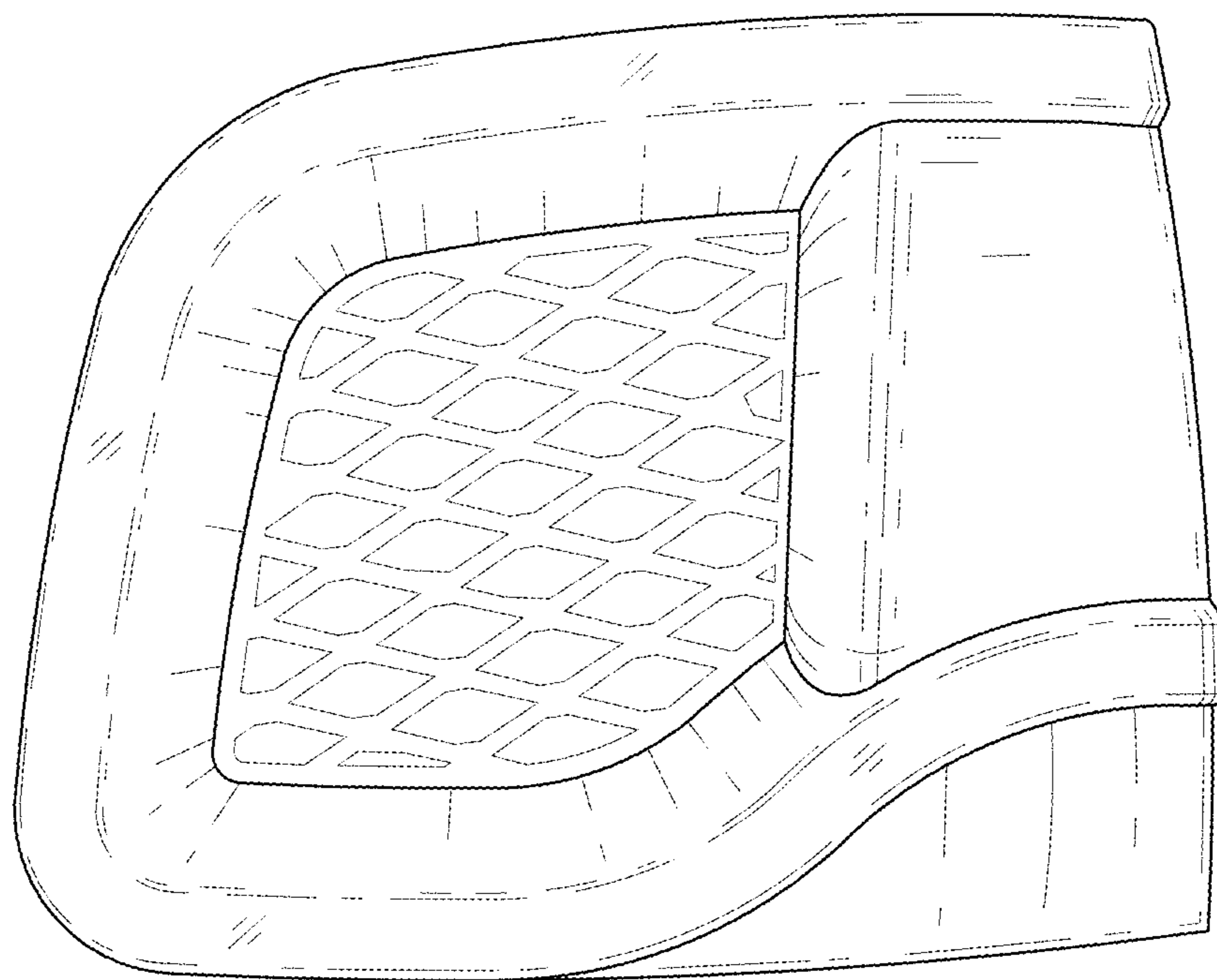


FIG. 1

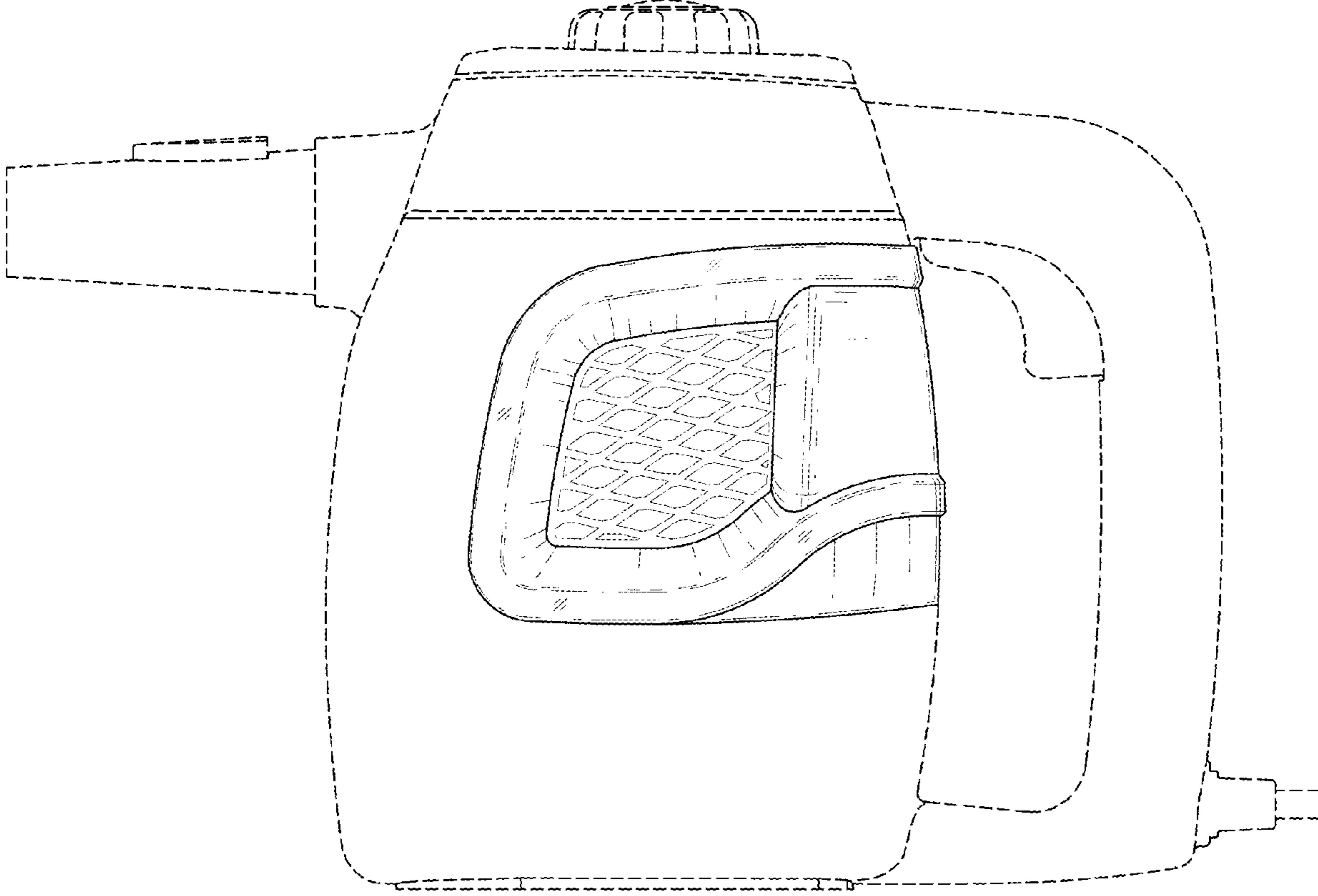


FIG. 2