



US00D942098S

(12) **United States Design Patent**
Xing et al.

(10) **Patent No.:** **US D942,098 S**
(45) **Date of Patent:** **** Jan. 25, 2022**

- (54) **IRONING MACHINE**
- (71) Applicant: **BEIJING XIAOMI MOBILE SOFTWARE CO., LTD.**, Beijing (CN)
- (72) Inventors: **Zheng Xing**, Beijing (CN); **Ningning Li**, Beijing (CN); **Lei Zhang**, Beijing (CN); **Yao Xi**, Beijing (CN)
- (73) Assignee: **BEIJING XIAOMI MOBILE SOFTWARE CO., LTD.**, Beijing (CN)

D229,016 S *	11/1973	Plasko	D32/17
D229,664 S *	12/1973	Stutzer	D32/17
D255,864 S *	7/1980	Bennett	D32/17
D262,257 S *	12/1981	Sohn	D32/17
4,399,349 A *	8/1983	Deming	A45D 19/16 128/203.17
4,496,826 A *	1/1985	Osrow	D06F 75/14 219/245
4,536,977 A *	8/1985	Doyel	D06F 75/14 219/254
4,571,483 A *	2/1986	Fathi	D06F 87/00 38/69

(Continued)

- (**) Term: **15 Years**
- (21) Appl. No.: **29/745,824**
- (22) Filed: **Aug. 10, 2020**

(30) **Foreign Application Priority Data**

Feb. 10, 2020 (CN) 202030048524.4

- (51) **LOC (13) Cl.** **15-05**
- (52) **U.S. Cl.**
USPC **D32/17**

- (58) **Field of Classification Search**
USPC D4/114; D32/17, 18, 35
CPC D06F 75/14; D06F 73/00; D06F 75/10;
D06F 75/30; D06F 87/00; D06F 75/20;
D06F 75/12; A01N 47/34; A61L 2/07;
B08B 9/00; A47L 11/34; D06M 11/34;
F22B 27/16

See application file for complete search history.

(56) **References Cited**

U.S. PATENT DOCUMENTS

D106,361 S *	10/1937	Von Schrader	D32/17
D222,502 S *	10/1971	Madl	D32/17
3,620,055 A *	11/1971	Blachly	D06F 75/30 68/222
3,646,317 A *	2/1972	Osrow	D06F 75/30 392/337

OTHER PUBLICATIONS

Rowenta Fabric Steamer <https://www.lowes.com/pd/Rowenta-Black-Blue-Fabric-Steamer/1000233967> (Year: 2021).*

(Continued)

Primary Examiner — Michelle E. Wilson

Assistant Examiner — Richard E Yenchesky

(74) *Attorney, Agent, or Firm* — Syncoda LLC; Feng Ma

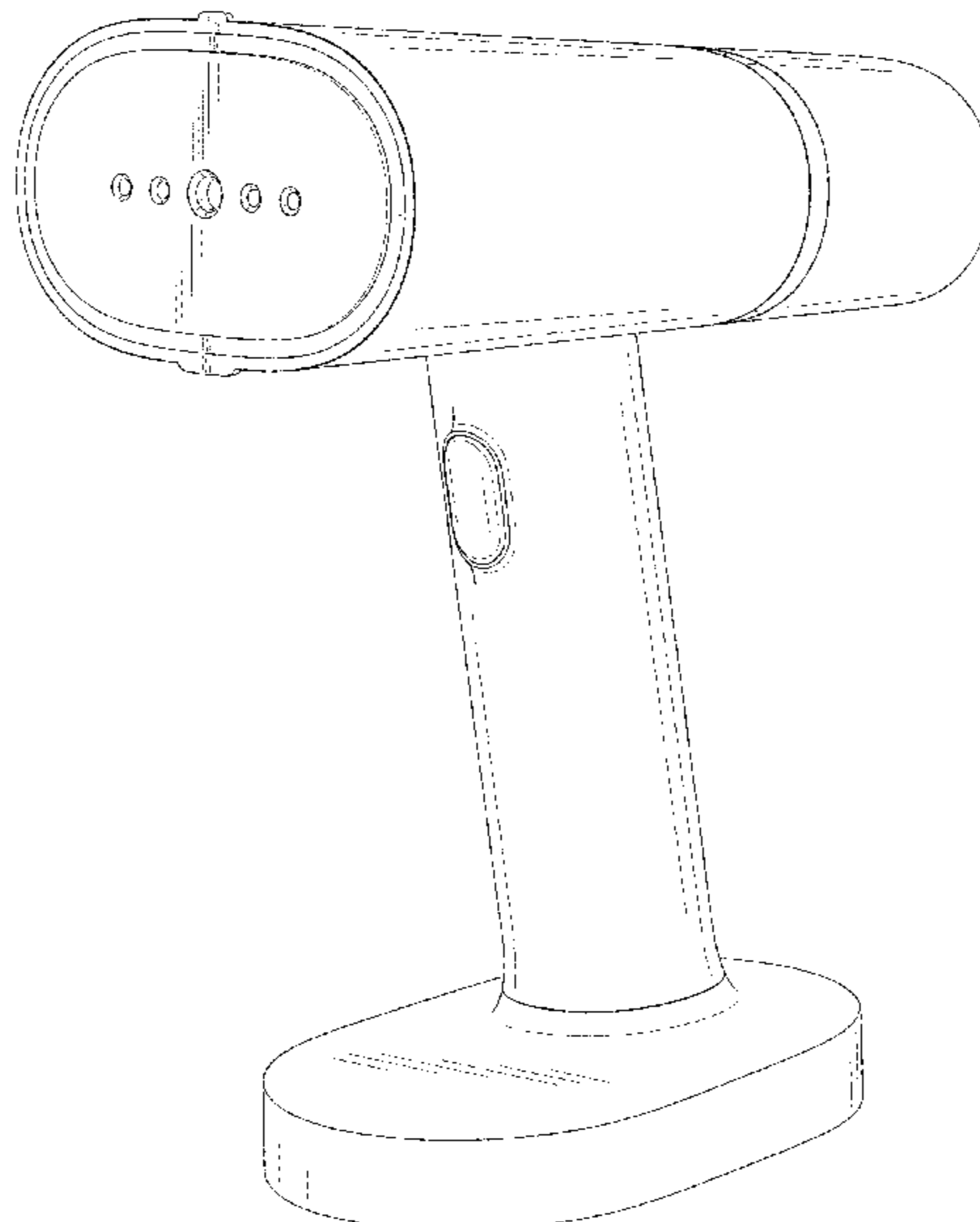
(57) **CLAIM**

The ornamental design for an ironing machine, as shown and described.

DESCRIPTION

FIG. 1 is a front view of an ironing machine showing the new design;
 FIG. 2 is a back view thereof;
 FIG. 3 is a left side view thereof;
 FIG. 4 is a right side view thereof;
 FIG. 5 is a top view thereof;
 FIG. 6 is a bottom view thereof;
 FIG. 7 is a front, left side perspective view thereof; and,
 FIG. 8 is a back, right side, bottom perspective view thereof.

1 Claim, 8 Drawing Sheets



(56)

References Cited

U.S. PATENT DOCUMENTS

4,583,260 A * 4/1986 Zai A01N 47/34
15/320
D319,121 S * 8/1991 Muller D32/17
5,651,201 A * 7/1997 Farley D06F 75/30
219/255
D426,924 S * 6/2000 Joiner D32/35
D436,424 S * 1/2001 Buzzi D32/17
6,275,653 B1 * 8/2001 Montipo' B08B 9/00
392/405
6,986,217 B2 * 1/2006 Leung D06F 73/00
38/77.83
D516,759 S * 3/2006 Lam D32/17
D525,399 S * 7/2006 Alday Lesaga D32/17
D540,498 S * 4/2007 Tobias D32/17
D542,488 S * 5/2007 Lee D32/17
D576,363 S * 9/2008 Reiner D32/17
7,490,422 B1 * 2/2009 Chen D06F 75/10
38/75
D589,663 S * 3/2009 Massip D32/17
D592,365 S * 5/2009 Massip D32/17
D601,806 S * 10/2009 Choi D4/114
7,661,212 B2 * 2/2010 Hahn D06F 75/20
38/81
D622,457 S * 8/2010 Choi D32/17
D646,029 S * 9/2011 Choi D32/17
D646,445 S * 10/2011 Choi D32/17
D648,494 S * 11/2011 Vrdoljak D32/17
D648,495 S * 11/2011 Ediger D32/17
D648,908 S * 11/2011 Ediger D32/17
D651,774 S * 1/2012 Tobias D32/17
D670,876 S * 11/2012 Vrdoljak D32/17
8,893,410 B2 * 11/2014 Vrdoljak D06F 75/30
38/77.8
D725,326 S * 3/2015 Spencer D32/17

D731,723 S * 6/2015 Dammkoehler D32/17
D776,887 S * 1/2017 Deffrennes D32/17
9,845,568 B2 * 12/2017 Fung D06F 75/10
D808,600 S * 1/2018 Malatray D32/17
D826,492 S * 8/2018 Huang D32/17
D842,559 S * 3/2019 Yang D32/17
D857,313 S * 8/2019 Smith D32/17
10,570,560 B2 * 2/2020 Chua D06F 87/00
D894,506 S * 8/2020 Protet D32/17
D906,606 S * 12/2020 Zeng D32/17
2004/0010950 A1 * 1/2004 Leung D06F 73/00
38/3
2006/0018638 A1 * 1/2006 Leung B08B 3/00
392/403
2010/0024492 A1 * 2/2010 Leung D06F 73/00
68/222
2010/0269287 A1 * 10/2010 Vrdoljak A61L 2/07
15/322
2015/0354128 A1 * 12/2015 Choo A47L 11/34
68/222
2016/0053430 A1 * 2/2016 Chua D06F 75/30
68/5 A
2016/0160434 A1 * 6/2016 Chua D06F 87/00
68/5 A
2016/0194816 A1 * 7/2016 Chua D06F 75/20
68/222
2018/0142883 A1 * 5/2018 Wadhwa F22B 27/16
2018/0371684 A1 * 12/2018 Ong D06F 75/12
2020/0362505 A1 * 11/2020 Razouki A61L 9/205

OTHER PUBLICATIONS

Xiaomi Travel Iron <https://www.amazon.com/Xiaomi-Handheld-Hand-held-Household-Portable/dp/B0896ZT72P> (Year: 2021).*

* cited by examiner

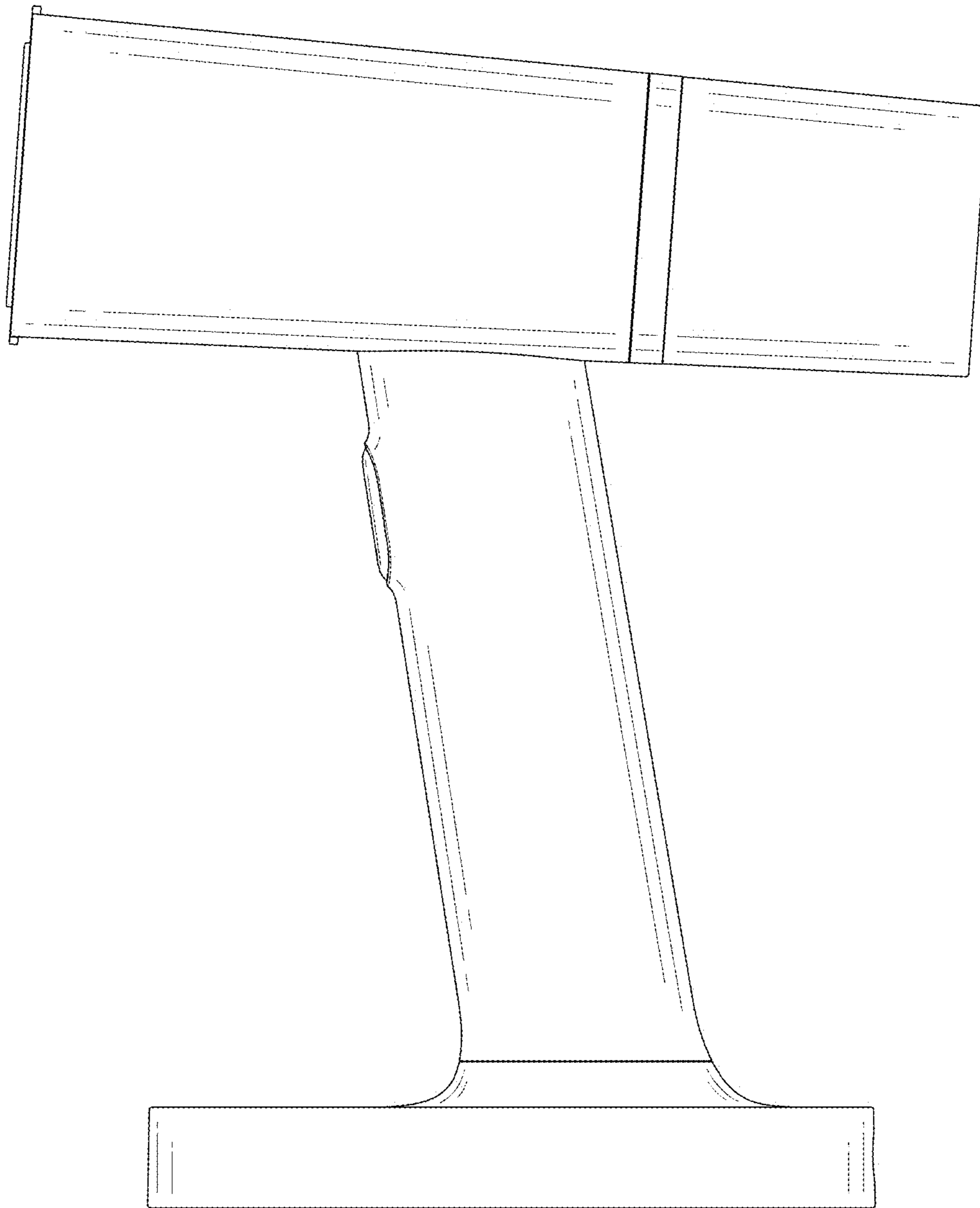


FIG. 1

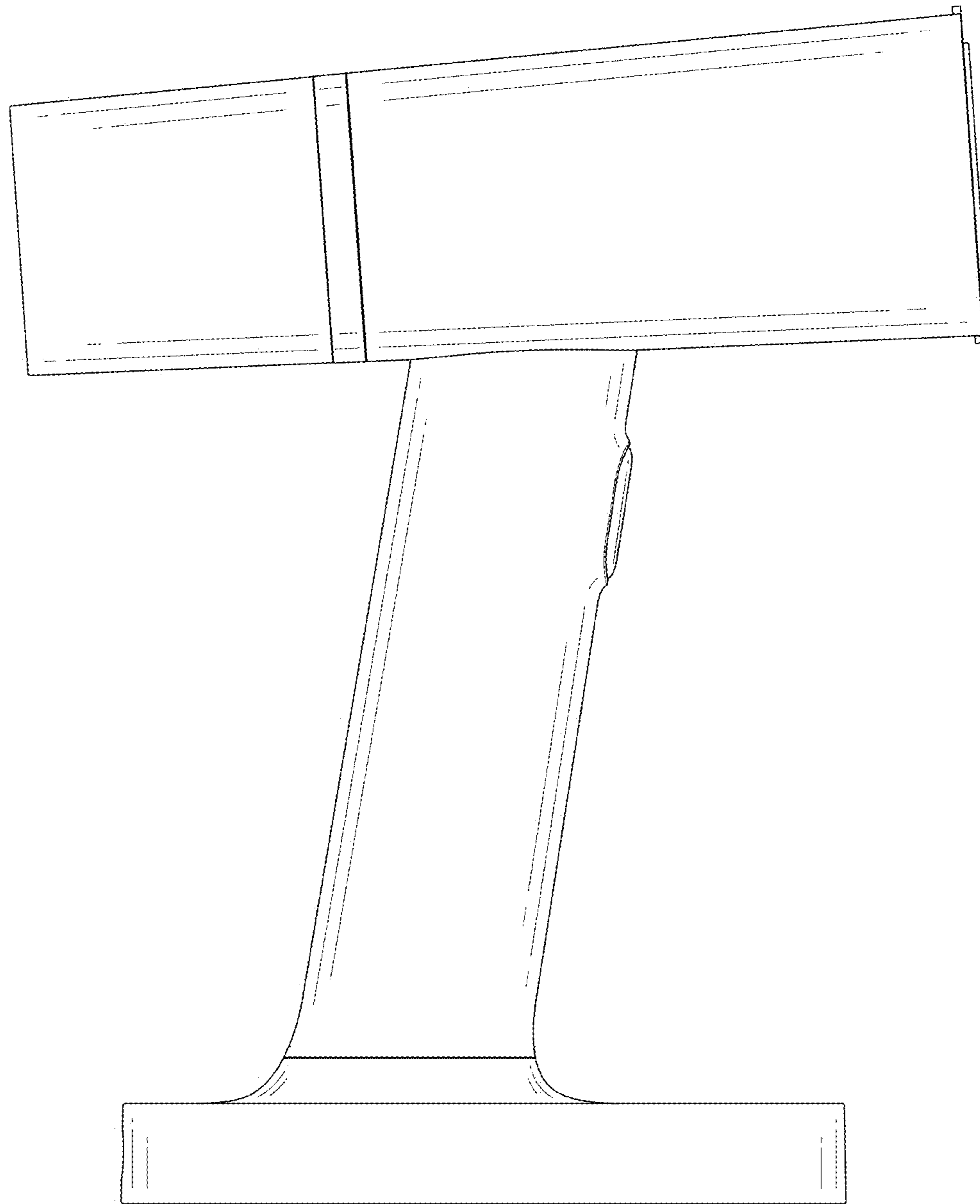


FIG. 2

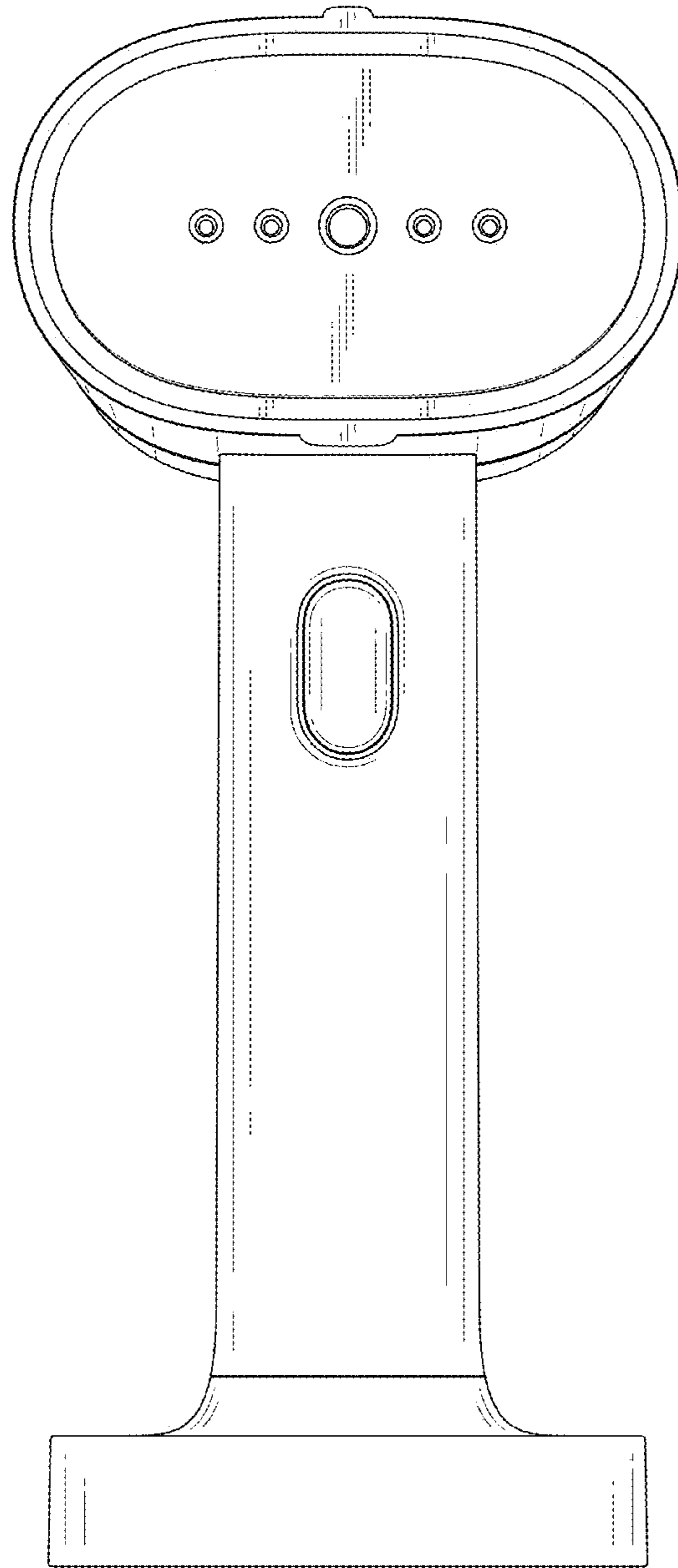


FIG. 3

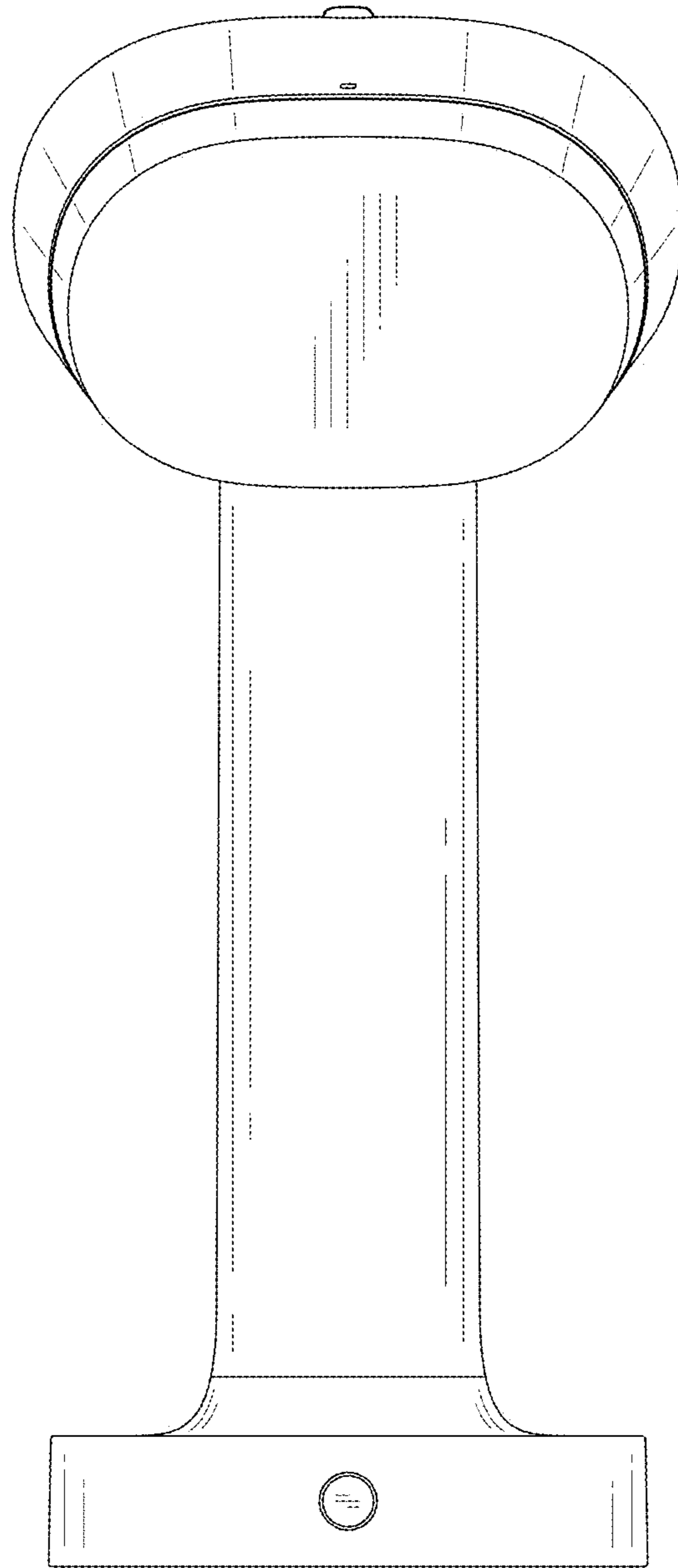


FIG. 4

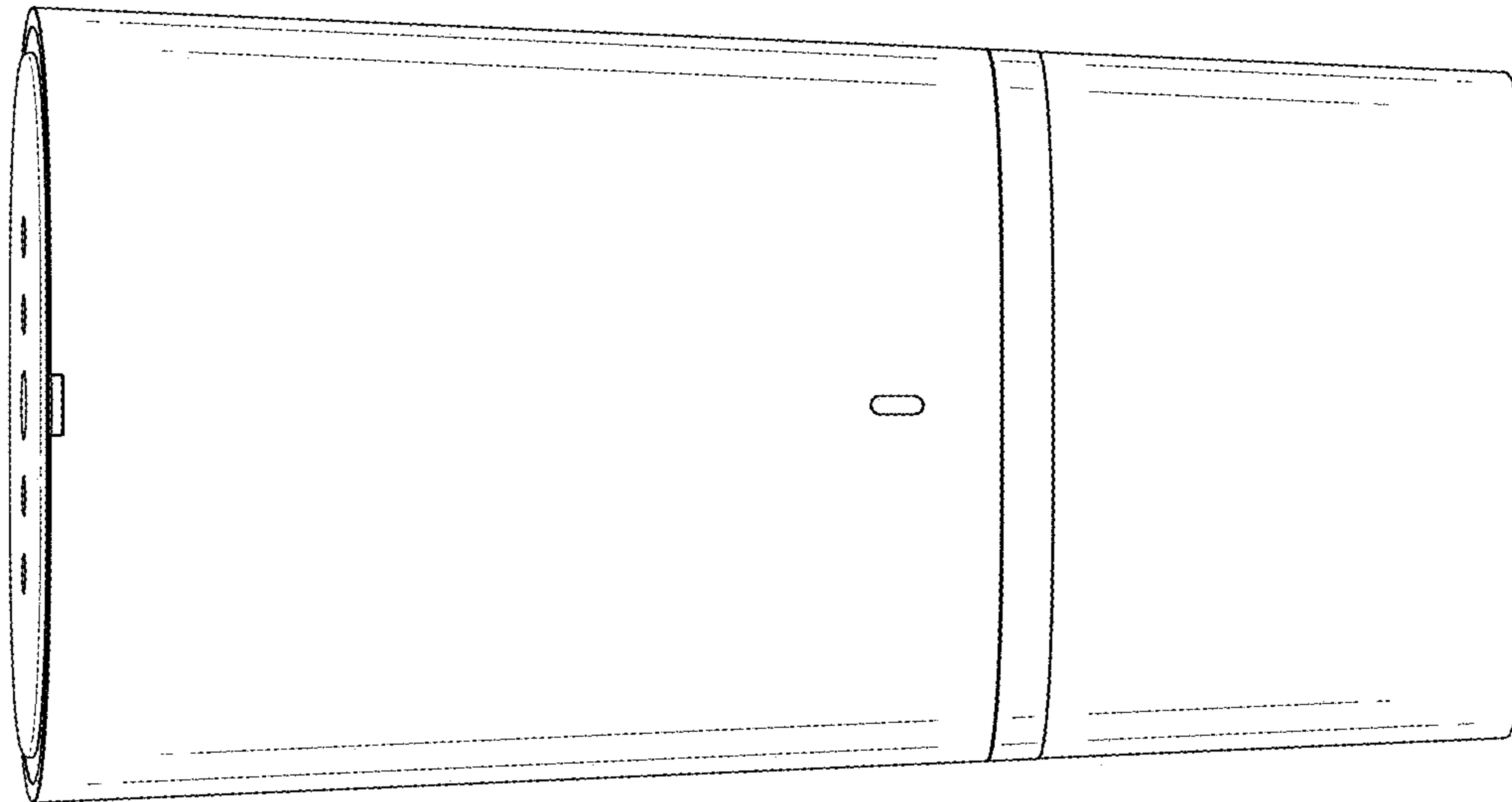


FIG. 5

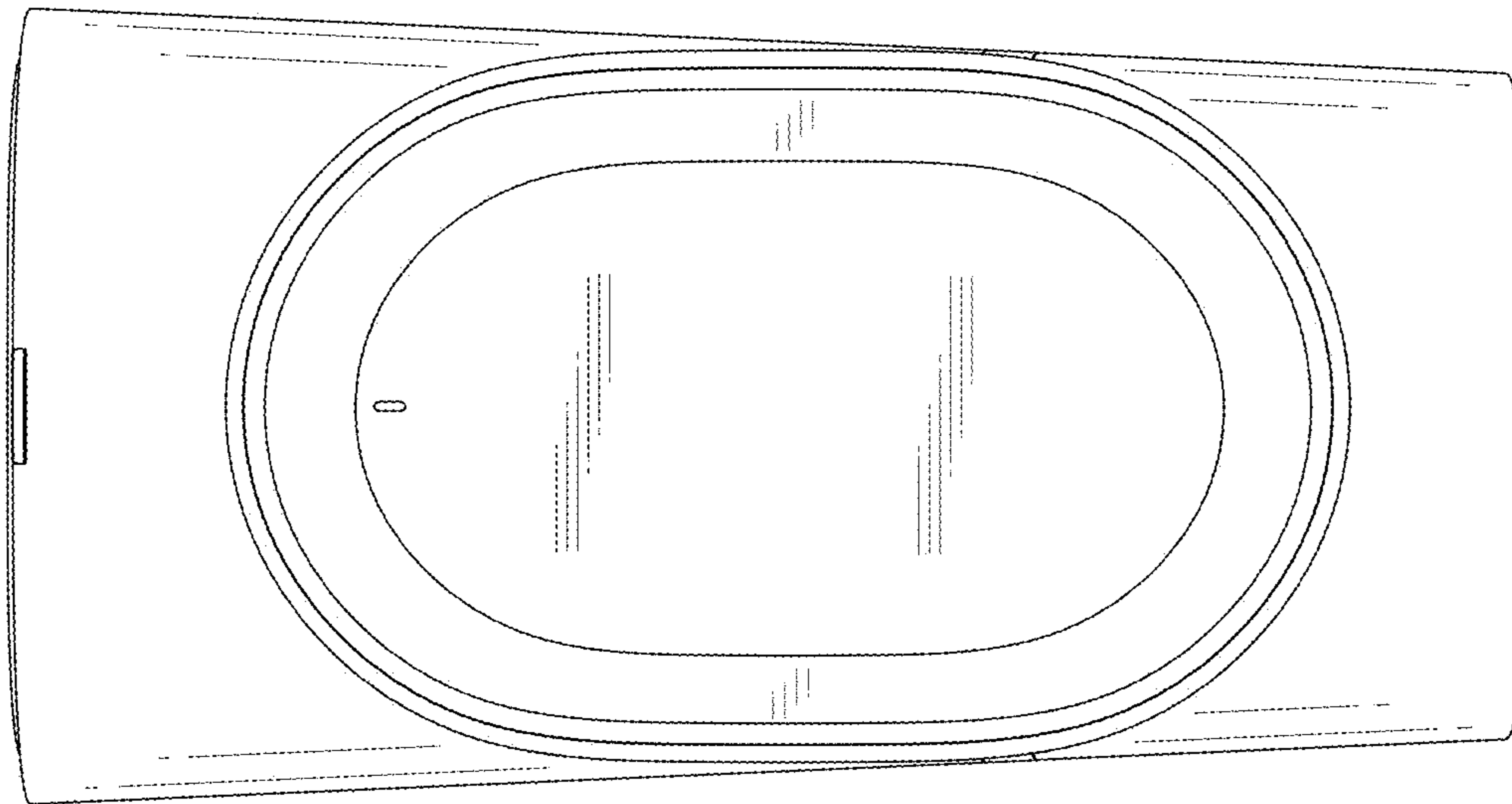


FIG. 6

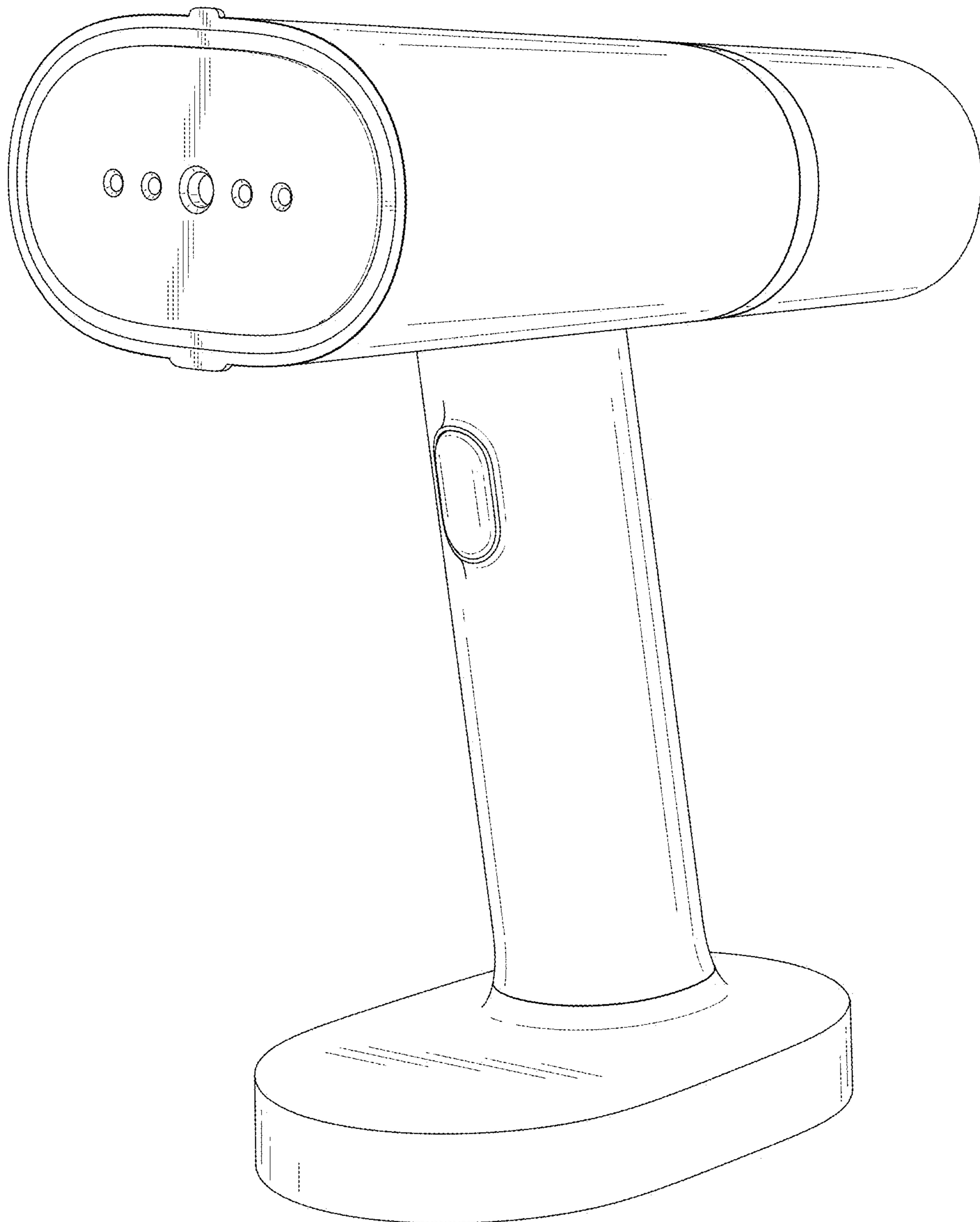


FIG. 7

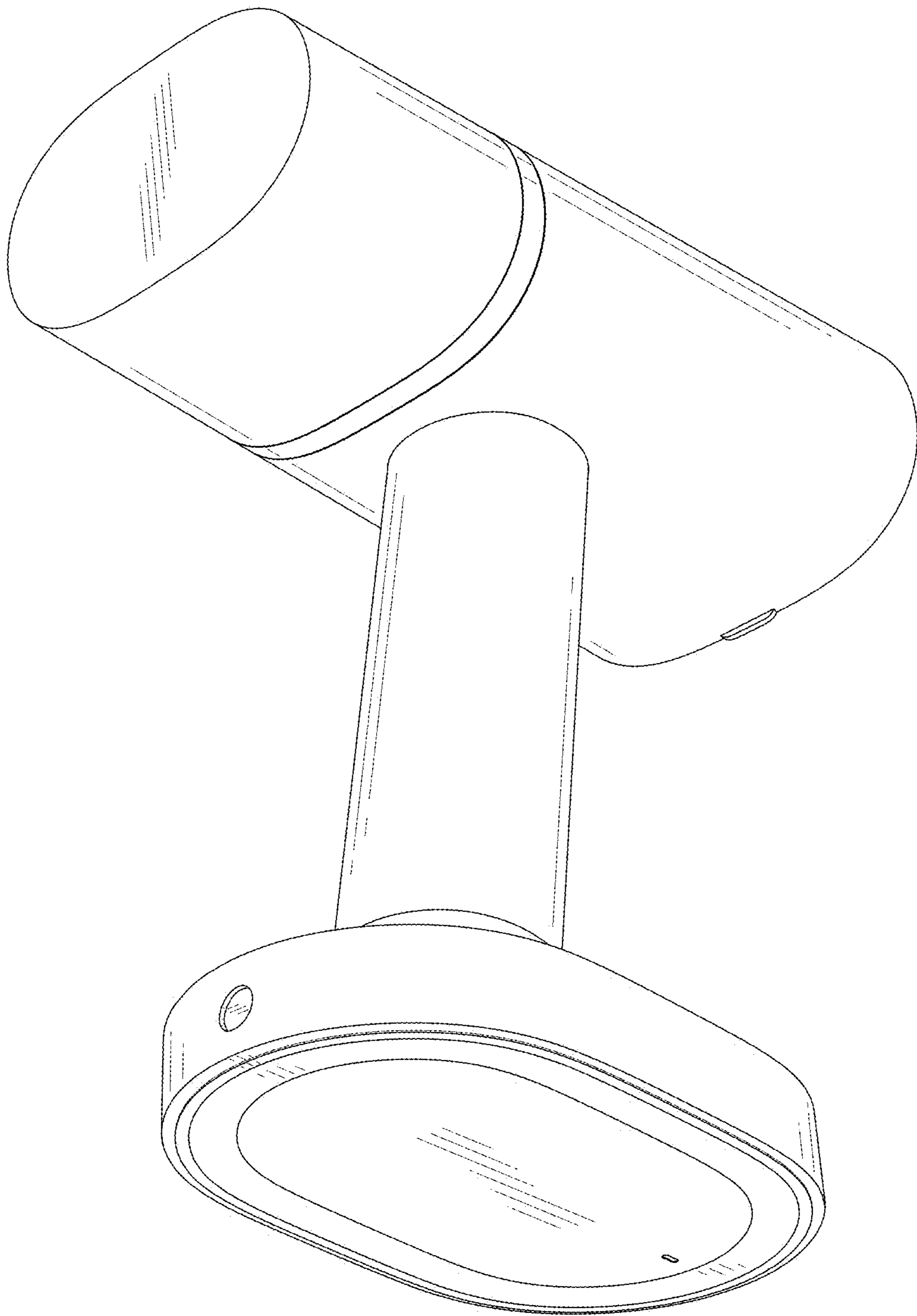


FIG. 8