

US00D942097S

(12) **United States Design Patent** (10) **Patent No.:** **US D942,097 S**  
**Kendall et al.** (45) **Date of Patent:** **\*\* Jan. 25, 2022**

(54) **TOP CAP COMBINED WITH FRONT CONTROL FOR A DOOR PANEL OF A DISH TREATING APPLIANCE**

D665,957 S \* 8/2012 Eng ..... D32/2  
D667,596 S 9/2012 Berberet  
D668,402 S \* 10/2012 Eng ..... D32/3  
D668,403 S \* 10/2012 Eng ..... D32/3  
D668,404 S \* 10/2012 Eng ..... D32/3  
D670,457 S \* 11/2012 Eng ..... D32/3

(71) Applicant: **WHIRLPOOL CORPORATION**,  
Benton Harbor, MI (US)

(Continued)

(72) Inventors: **James W. Kendall**, Mount Prospect, IL (US); **Darryl C. Bodine**, Saint Joseph, MI (US); **Jonathan D. Pugh**, Benton Harbor, MI (US)

**FOREIGN PATENT DOCUMENTS**

EP 2514350 A1 10/2012  
WO 2014101930 A1 7/2014

(73) Assignee: **Whirlpool Corporation**, Benton Harbor, MI (US)

**OTHER PUBLICATIONS**

<http://www.bosch-home.com/us/SHP7PT55UC.html>, Bosch Pocket Handle Dishwasher #SHP7PT55UC, accessed Aug. 31, 2017.

(Continued)

(\*\*) Term: **15 Years**

*Primary Examiner* — Michelle E. Wilson  
*Assistant Examiner* — Richard E Yenchesky  
(74) *Attorney, Agent, or Firm* — McGarry Bair PC

(21) Appl. No.: **29/734,272**

(22) Filed: **May 11, 2020**

**Related U.S. Application Data**

(62) Division of application No. 29/615,803, filed on Aug. 13, 2017, now Pat. No. Des. 887,653.

(51) **LOC (13) Cl.** ..... **15-05**

(52) **U.S. Cl.**  
USPC ..... **D32/3; D32/28**

(58) **Field of Classification Search**  
USPC ..... D32/1, 2, 3, 54; D7/404  
CPC ..... A47L 15/4257  
See application file for complete search history.

(57) **CLAIM**

The ornamental design for a top cap combined with front control for a door panel of a dish treating appliance, as shown and described.

**DESCRIPTION**

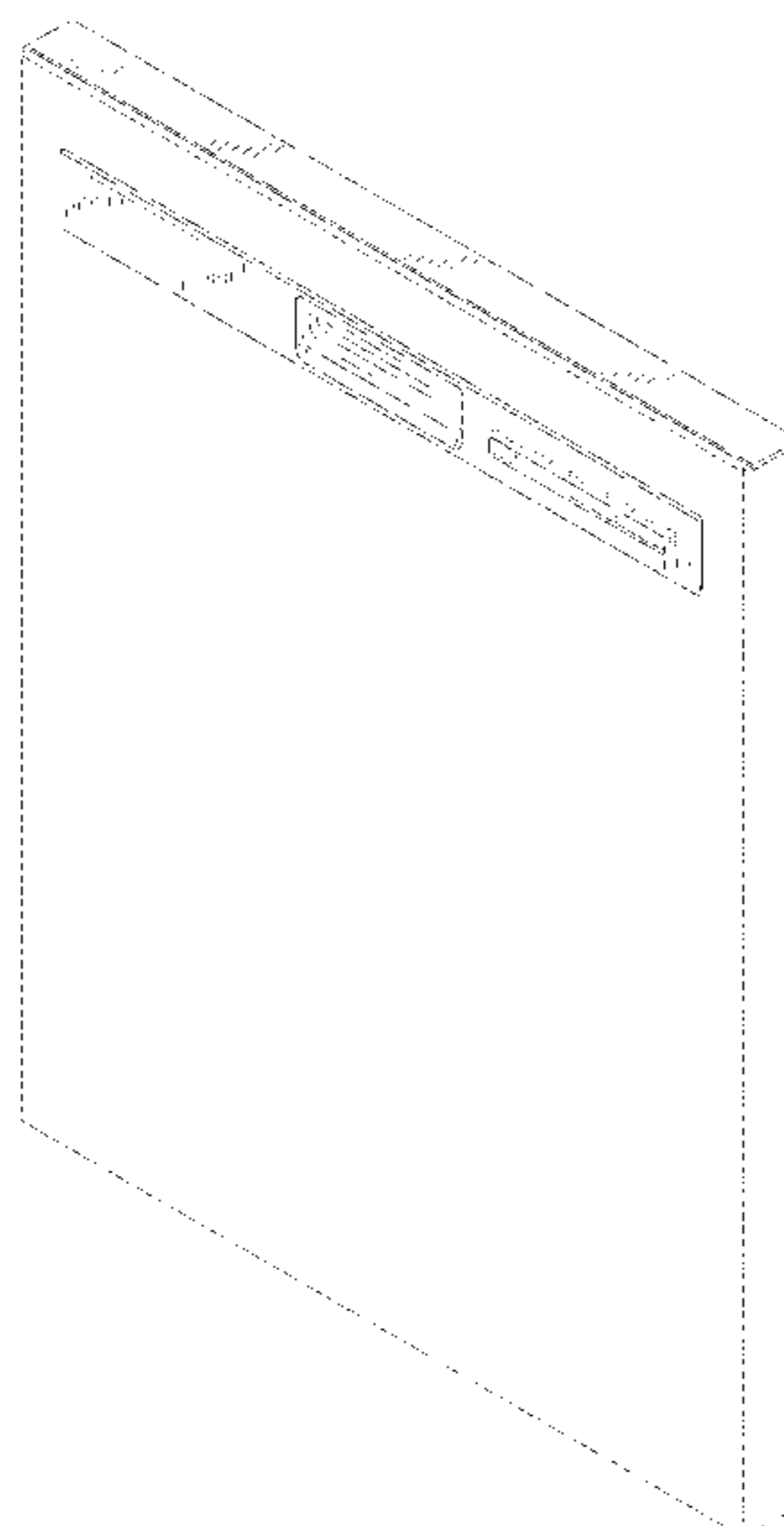
FIG. 1 is a front perspective view of a top cap combined with front control for a door panel of a dish treating appliance showing our new design according to a first aspect; FIG. 2 is a front view of the top cap combined with front control of FIG. 1; FIG. 3 is a top view of the top cap combined with the front control of FIG. 1; and, FIG. 4 is a right side view of top cap combined with the front control of FIG. 1, the left view being a mirror image. The broken lines in the figures illustrate the portions of the design that form no part of the claimed design.

(56) **References Cited**

**U.S. PATENT DOCUMENTS**

D533,691 S \* 12/2006 Knochner ..... D32/3  
D618,404 S 6/2010 Jenkins et al.  
D627,937 S \* 11/2010 Kim ..... D32/2  
D627,938 S \* 11/2010 Kim ..... D32/2  
D630,804 S 1/2011 Ott  
D640,429 S 6/2011 Grobleben et al.  
D643,164 S \* 8/2011 Yalcin ..... D32/3

**1 Claim, 4 Drawing Sheets**



(56)

References Cited

U.S. PATENT DOCUMENTS

D677,023 S \* 2/2013 Borjesson ..... D32/2  
 D684,734 S \* 6/2013 Eng ..... D32/3  
 D684,735 S \* 6/2013 Eng ..... D32/3  
 D684,736 S \* 6/2013 Eng ..... D32/3  
 D692,628 S 10/2013 Eng et al.  
 D696,476 S \* 12/2013 Eng ..... D32/3  
 D696,477 S \* 12/2013 Eng ..... D32/3  
 D698,507 S \* 1/2014 Eng ..... D32/3  
 D699,904 S \* 2/2014 Eng ..... D32/3  
 D702,898 S \* 4/2014 Eng ..... D32/3  
 D702,899 S \* 4/2014 Eng ..... D32/3  
 D706,503 S \* 6/2014 Eng ..... D32/3  
 8,740,320 B2 6/2014 Eng  
 9,005,371 B2 4/2015 Egger et al.  
 D732,758 S \* 6/2015 Roberson ..... D32/3  
 D732,759 S \* 6/2015 Roberson ..... D32/3  
 D733,370 S \* 6/2015 Roberson ..... D32/3  
 D734,902 S \* 7/2015 Eng ..... D32/3  
 D743,119 S \* 11/2015 Roberson ..... D32/3  
 D743,121 S \* 11/2015 Roberson ..... D32/3  
 D745,755 S \* 12/2015 Roberson ..... D32/3

D748,353 S 1/2016 Roberson et al.  
 D748,874 S \* 2/2016 Roberson ..... D32/3  
 D756,046 S \* 5/2016 Roberson ..... D32/3  
 D765,923 S \* 9/2016 Roberson ..... D32/3  
 D778,008 S 1/2017 Roberson et al.  
 D801,600 S \* 10/2017 Kim ..... D32/2  
 D831,538 S 10/2018 Borut et al.  
 D839,501 S \* 1/2019 Bouchonnet ..... D32/2  
 D846,209 S \* 4/2019 Tong ..... D32/2  
 D887,653 S \* 6/2020 Kendall ..... D32/2  
 2007/0159454 A1 7/2007 Rodriguez et al.  
 2013/0113351 A1 \* 5/2013 Eng ..... A47L 15/4257  
 312/228.1  
 2013/0300268 A1 11/2013 Schaefer et al.  
 2019/0059693 A1 \* 2/2019 Kendall ..... A47L 15/4257

OTHER PUBLICATIONS

<http://www.samsung.com/us/home-appliances/dishwashers/waterwall/dw80j7550ug-top-control-dishwasher-with-waterwall-technology-black-stainless-steel-dw80j7550ug-aa/>, Samsung Top Control Dishwasher Model #DW80J7550UG, accessed Aug. 31, 2017.

\* cited by examiner

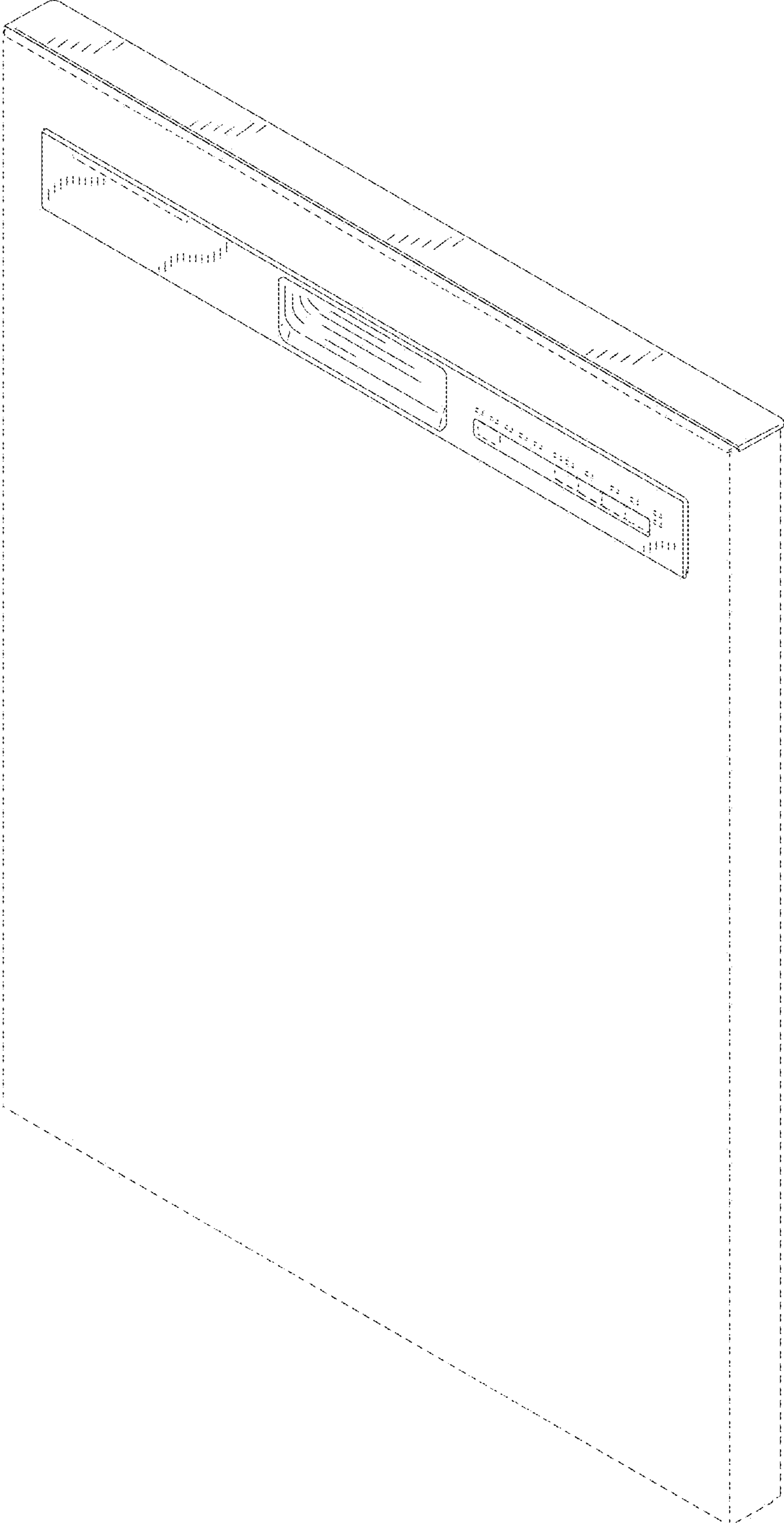


FIG.1

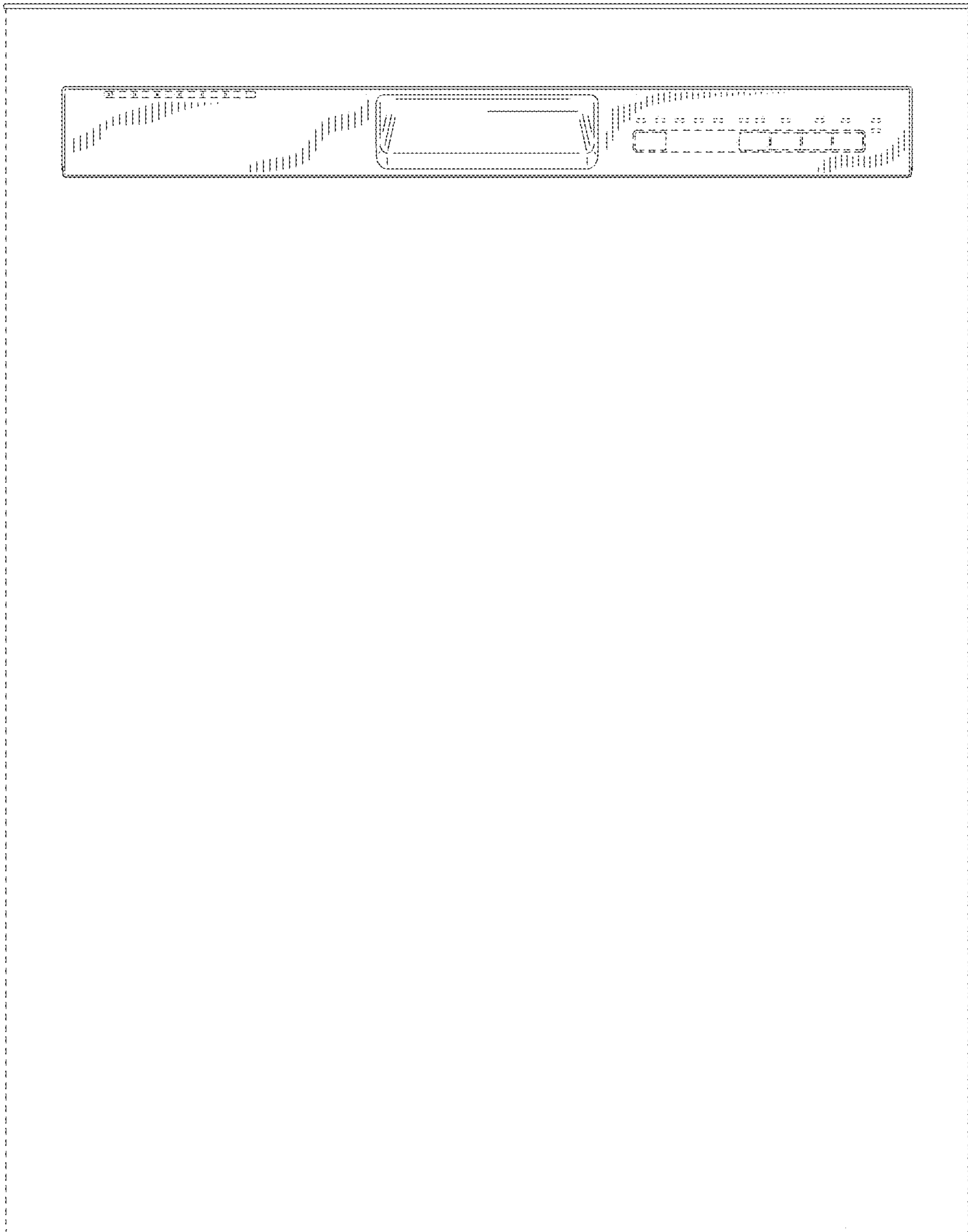


FIG. 2

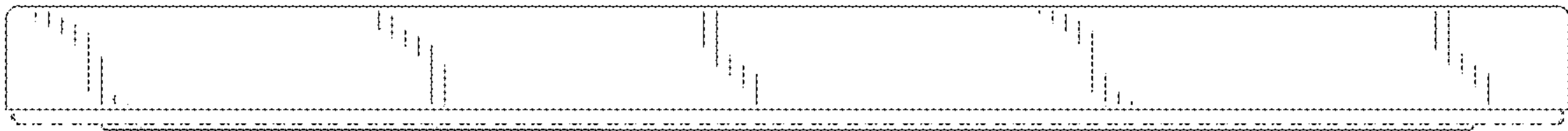


FIG.3

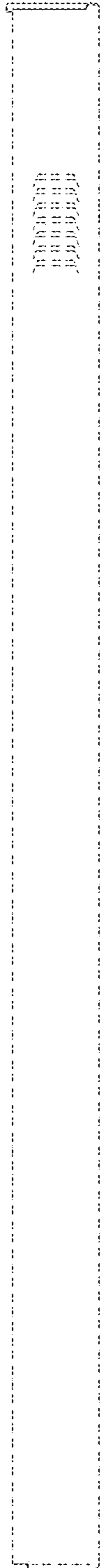


FIG.4