



US00D942096S

(12) **United States Design Patent**
Tang et al.

(10) **Patent No.:** **US D942,096 S**
(45) **Date of Patent:** **** *Jan. 25, 2022**

(54) **MULTIFUNCTIONAL UNDERWEAR
STERILIZER**

(71) Applicant: **LEADYOUNG TECHNOLOGY CO.,
LTD.,** Shenzhen (CN)

(72) Inventors: **Iven Tang,** Shenzhen (CN); **Michael
Zhang,** Shenzhen (CN)

(73) Assignee: **LEAD YOUNG TECHNOLOGY
CO., LTD.,** Shenzhen (CN)

(*) Notice: This patent is subject to a terminal dis-
claimer.

(**) Term: **15 Years**

(21) Appl. No.: **29/650,367**

(22) Filed: **Jun. 6, 2018**

(51) **LOC (13) Cl.** **15-05**

(52) **U.S. Cl.**
USPC **D32/1**

(58) **Field of Classification Search**
USPC D32/1, 15, 16, 25; D13/169, 131, 162,
D13/174, 176; D7/605, 619.1; D3/218,
D3/272, 273, 276, 29, 321, 279-81, 905;
D24/185-187, 217
CPC B08B 3/12; B08B 7/028; B08B 7/0057;
B06B 1/0253; B06B 3/00; B63B 59/08
See application file for complete search history.

(56) **References Cited**

U.S. PATENT DOCUMENTS

2,896,648	A *	7/1959	Lazarus	B08B 3/12 134/147
3,007,478	A *	11/1961	Leonhardt	B08B 3/12 134/57 R
3,180,626	A *	4/1965	Mettler	B08B 3/12 366/115
3,403,245	A *	9/1968	Eaton	B08B 3/12 219/494

3,480,258	A *	11/1969	Massa	B08B 3/12 366/111
3,516,645	A *	6/1970	Franklin	B06B 1/0261 366/115
3,584,244	A *	6/1971	Vest	B06B 1/0253 310/316.01
3,595,532	A *	7/1971	Doyle	B08B 3/12 366/111
3,640,295	A *	2/1972	Peterson	B08B 3/12 134/159
4,111,545	A *	9/1978	Meltzer	G03G 21/0029 15/256.53
4,114,194	A *	9/1978	Walter	A47L 15/13 310/318

(Continued)

OTHER PUBLICATIONS

https://www.alibaba.com/product-detail/Big-Promotion-Foldable-Underwear-Sterilizer-For_1600167682493.html?bypass=true (Accessed Feb. 2021).*

(Continued)

Primary Examiner — Michelle E. Wilson

(74) *Attorney, Agent, or Firm* — Juan Carlos A. Marquez;
Marquez IP Law Office, PLLC

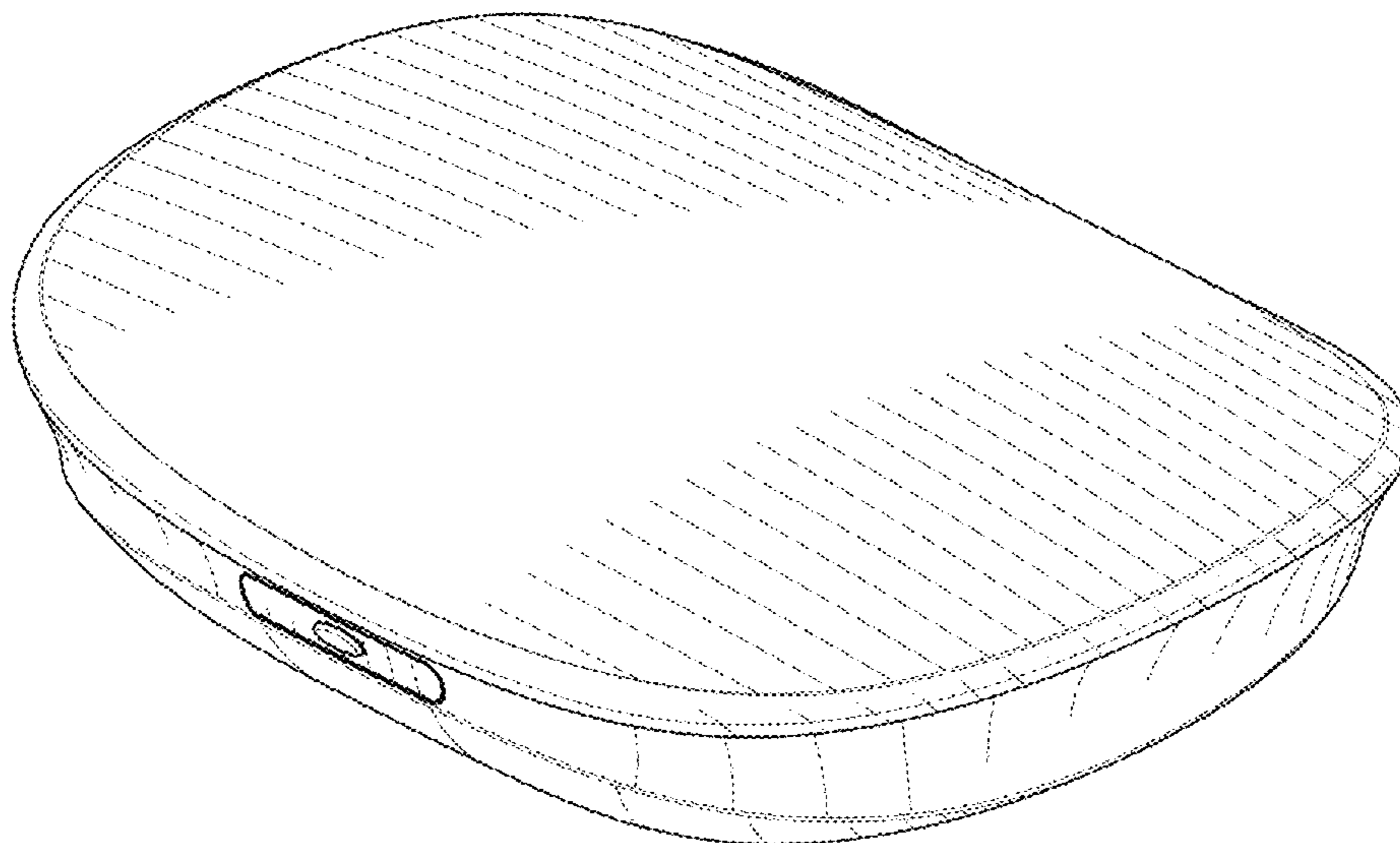
(57) **CLAIM**

We claim the ornamental design for a multifunctional under-
wear sterilizer, as shown and described.

DESCRIPTION

FIG. 1 is a perspective view of a multifunctional underwear
sterilizer, showing my new design;
FIG. 2 is a front elevation view thereof;
FIG. 3 is a rear elevation view thereof;
FIG. 4 is a left-side elevation view thereof;
FIG. 5 is a right-side elevation view thereof;
FIG. 6 is a top elevation view thereof; and,
FIG. 7 is a bottom elevation view thereof.

1 Claim, 4 Drawing Sheets



(56)

References Cited

U.S. PATENT DOCUMENTS

4,320,528 A * 3/1982 Scharton F22B 37/483
134/1
D266,794 S * 11/1982 Puskas D32/1
4,442,852 A * 4/1984 Lord B08B 3/12
134/135
D300,677 S * 4/1989 Van Hoyer D32/1
D307,653 S * 5/1990 Weirsmann D32/1
D307,654 S * 5/1990 Weirsmann D32/1
D315,039 S * 2/1991 Wortham D32/1
D315,815 S * 3/1991 Miller D32/1
D321,564 S * 11/1991 Miller D24/217
5,109,174 A * 4/1992 Shewell B06B 1/0276
310/316.01
6,259,653 B1 * 7/2001 Courson B63B 59/08
114/222
6,564,711 B1 * 5/2003 Meyer G03G 21/0029
101/423
6,644,327 B1 * 11/2003 Mitsumori B08B 3/12
134/1
D593,262 S * 5/2009 Gong D24/217
D631,620 S * 1/2011 Choi D32/1
D633,260 S * 2/2011 Choi D32/1
D633,663 S * 3/2011 Choi D32/1
D685,540 S * 7/2013 Yao D32/1
D748,872 S * 2/2016 Yao D32/1
D778,004 S * 1/2017 Yao D32/1
D778,005 S * 1/2017 Yao D32/1

D781,509 S * 3/2017 Yao D32/1
2002/0195120 A1 * 12/2002 Pfeifer B08B 3/12
134/1
2004/0099294 A1 * 5/2004 Gross G21F 9/28
134/169 R
2004/0250844 A1 * 12/2004 Kumazaki A47L 13/00
134/201
2005/0077190 A1 * 4/2005 Djordjevic C02F 1/4674
205/705
2005/0120756 A1 * 6/2005 Mah B08B 7/0057
68/3 SS
2007/0267039 A1 * 11/2007 Sullivan B08B 3/12
134/1
2009/0308416 A1 * 12/2009 Utz B08B 3/12
134/115 R
2015/0174621 A1 * 6/2015 Zhao B08B 3/12
118/302
2015/0335410 A1 * 11/2015 Zhao A61C 17/0211
433/86
2016/0146721 A1 * 5/2016 Ji B08B 7/028
134/1
2016/0340203 A1 * 11/2016 Davis B01D 33/03
2017/0036251 A1 * 2/2017 Sato B06B 3/00

OTHER PUBLICATIONS

<https://www.vagooltech.com/s16babysterilizer/> (Accessed Feb. 2021).*

* cited by examiner

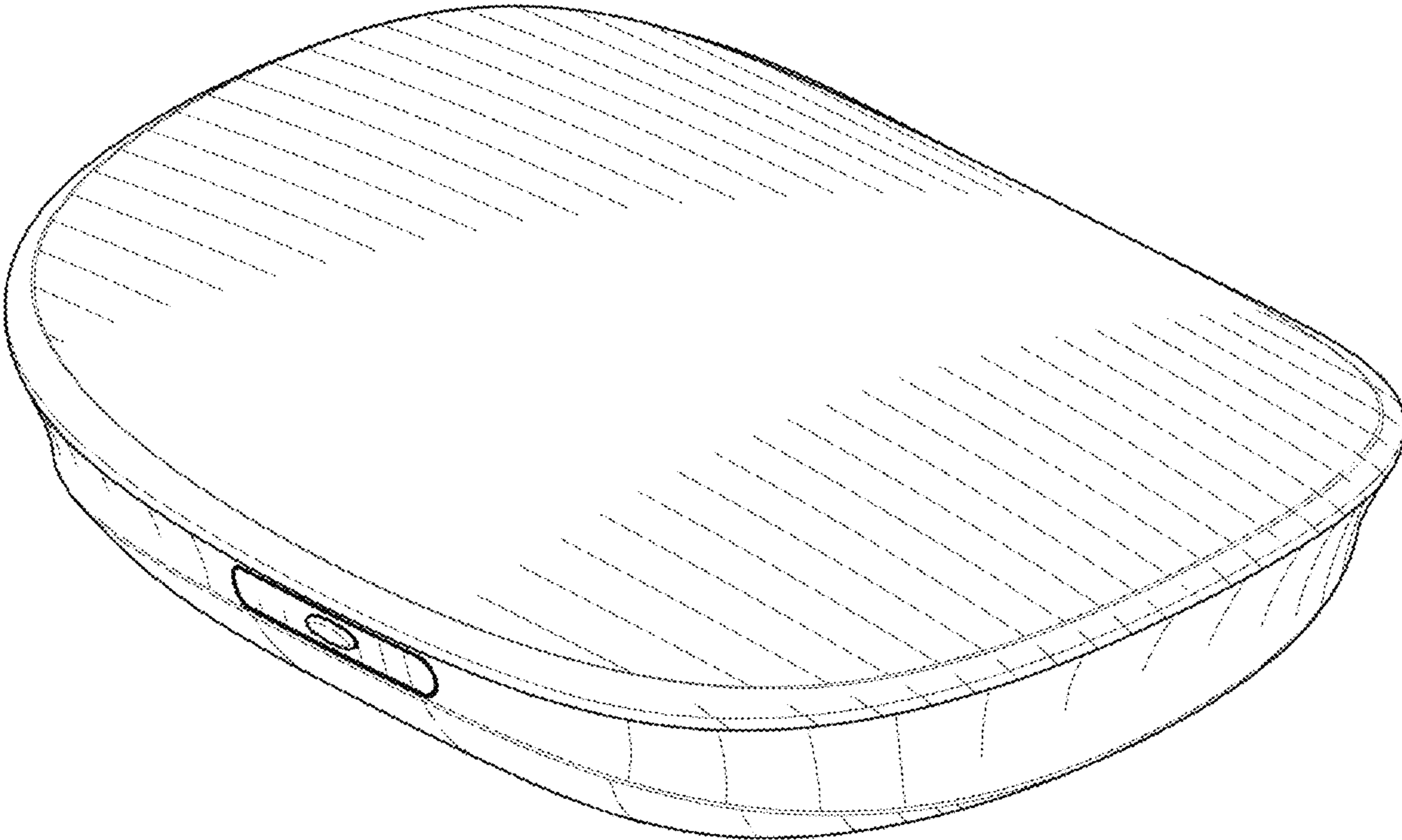


FIG. 1

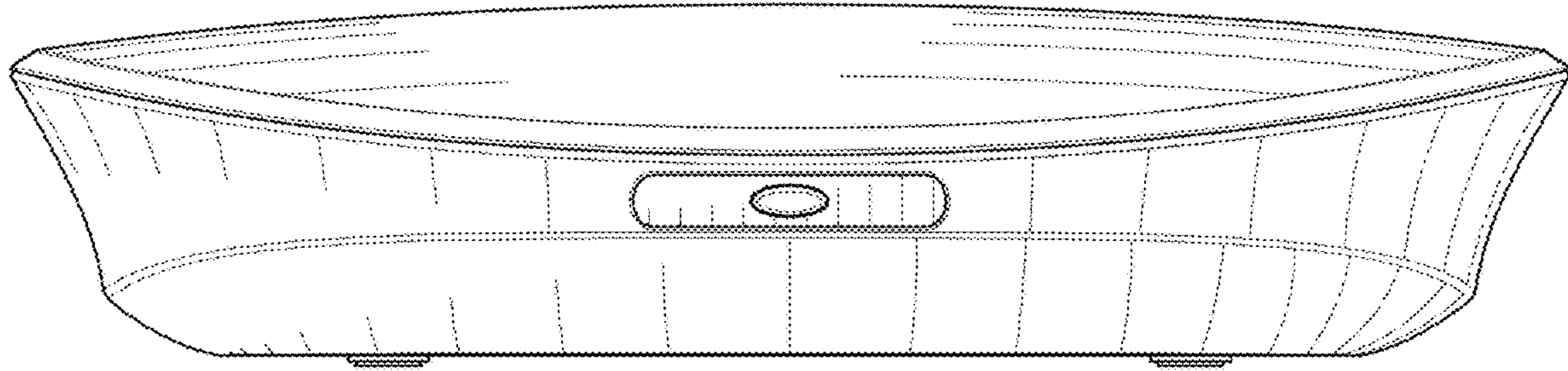


FIG. 2

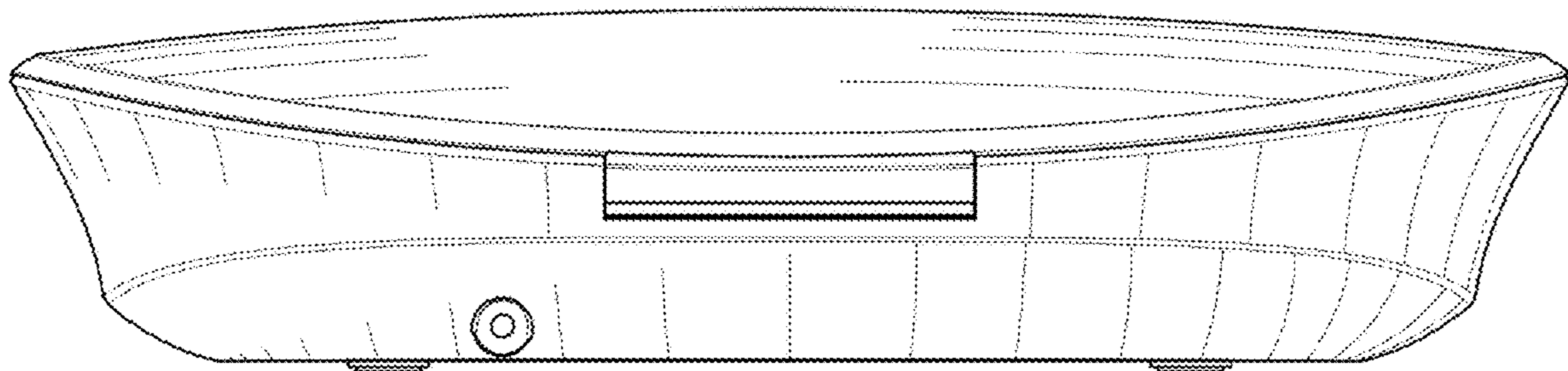


FIG. 3

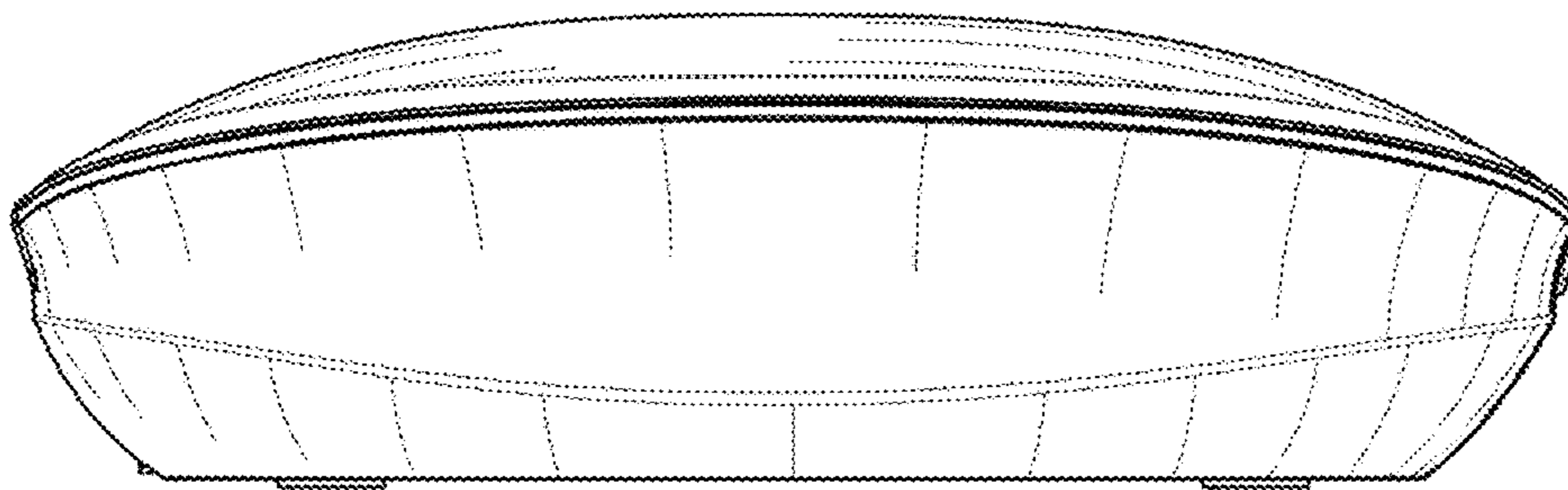


FIG. 4

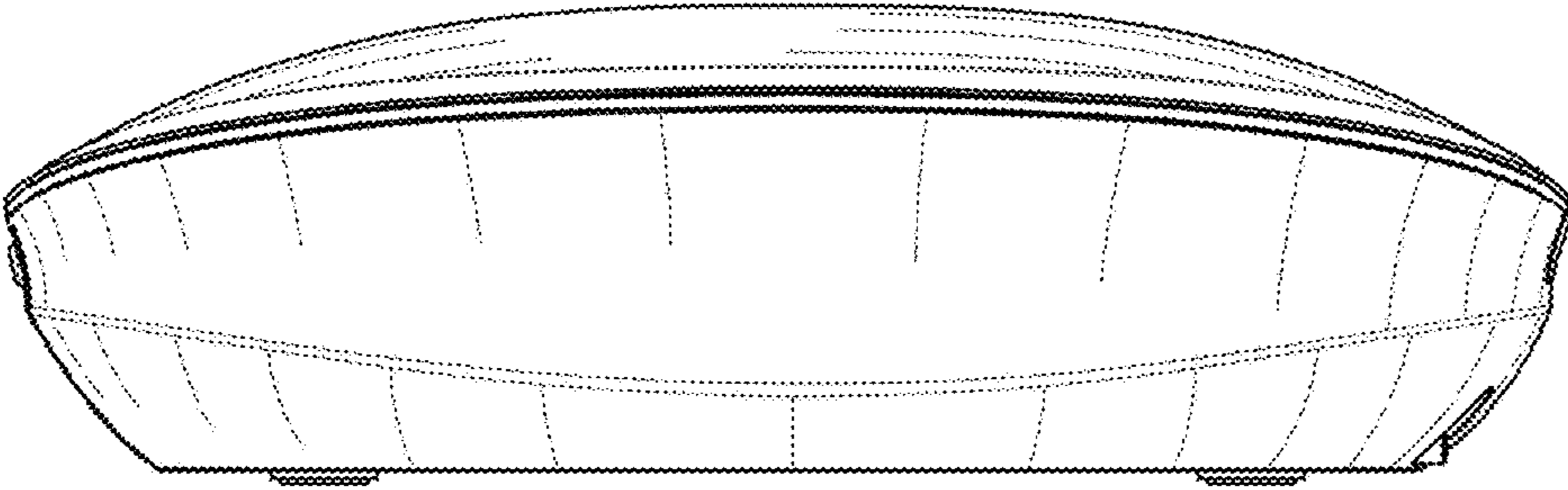


FIG. 5

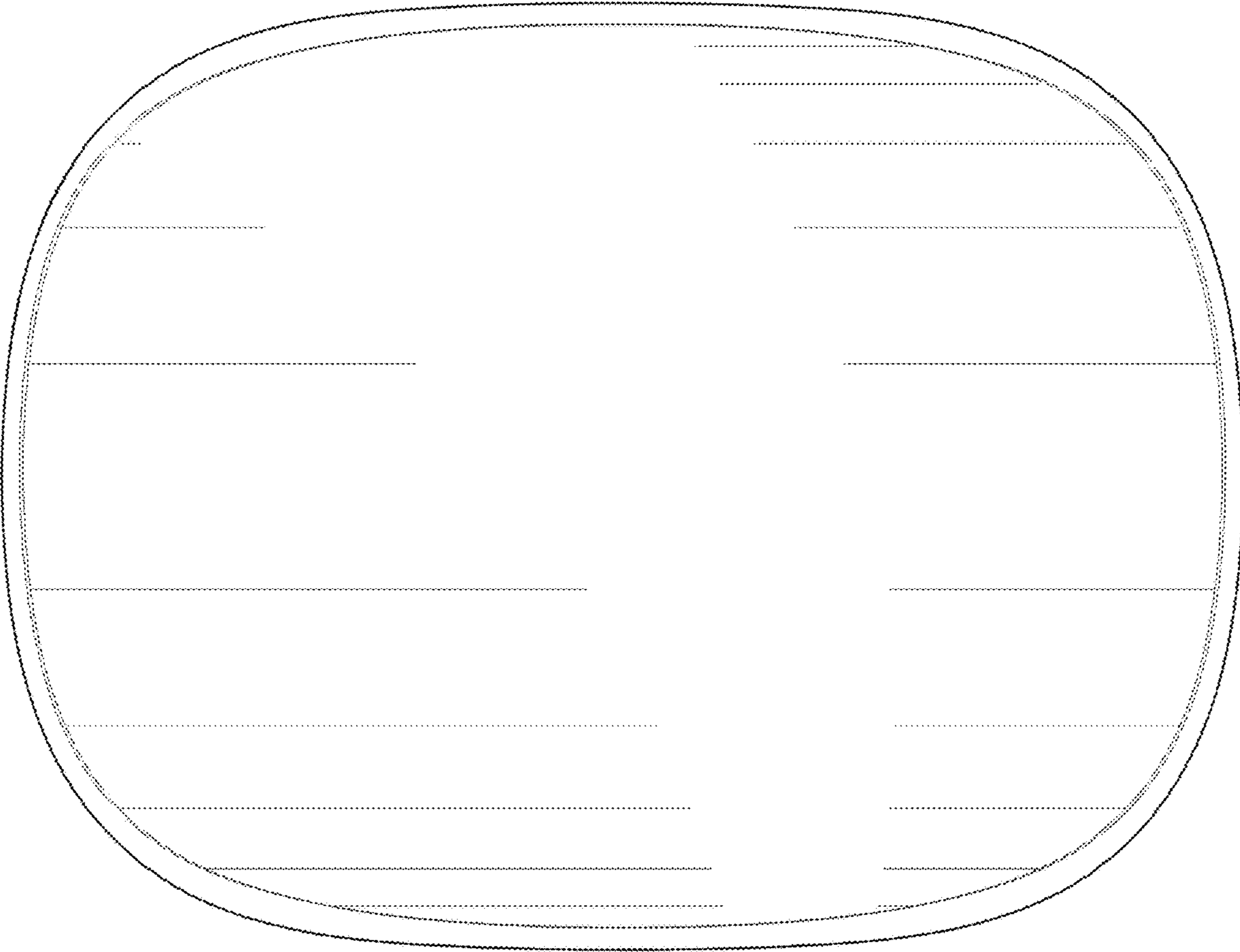


FIG. 6

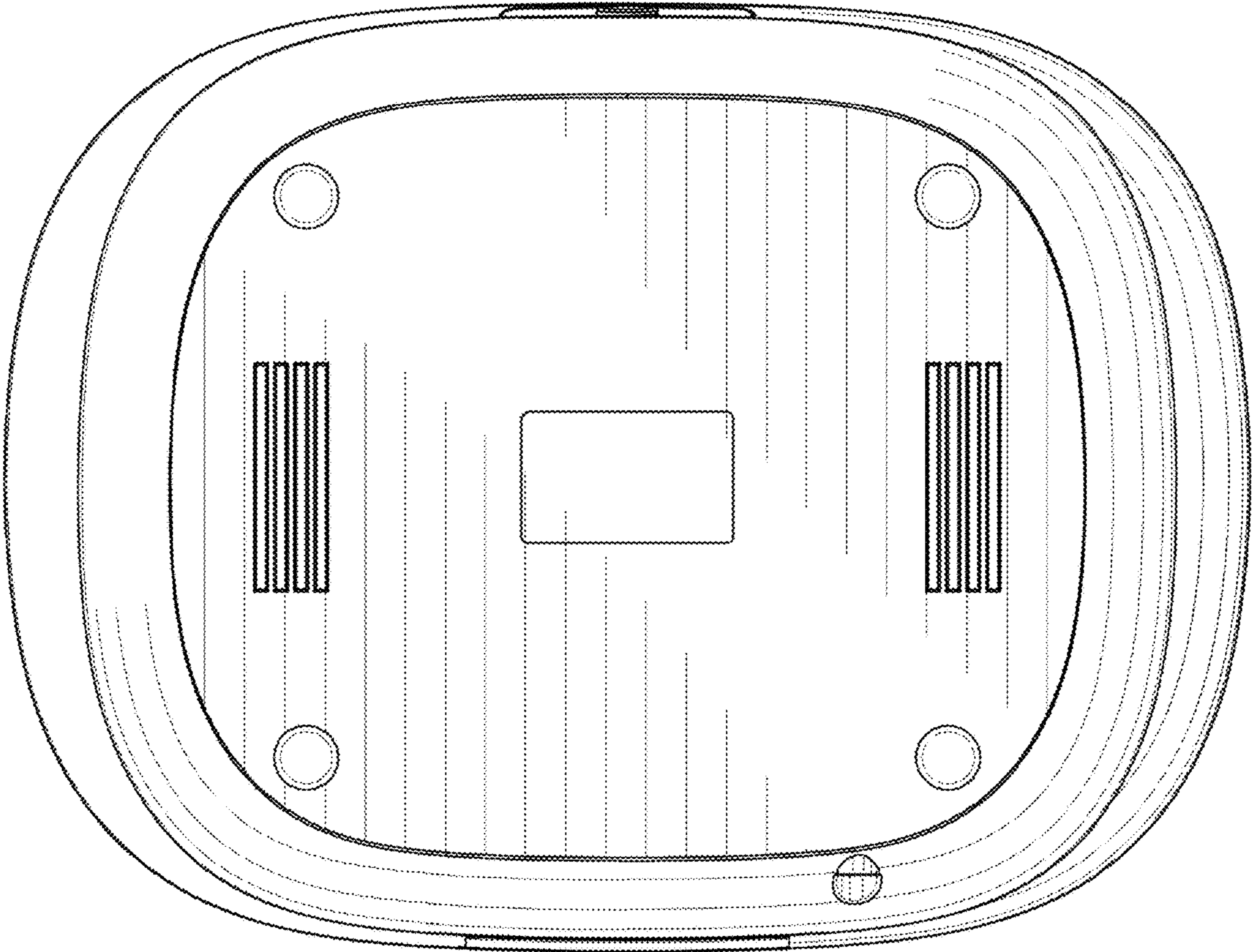


FIG. 7