



US00D942095S

(12) **United States Design Patent** (10) **Patent No.:** **US D942,095 S**
Pietrusiak (45) **Date of Patent:** **** Jan. 25, 2022**

(54) **LITTER BOX**

(71) Applicant: **MYKOTTY SPOLKA Z
OGRANICZONA
ODPOWIEDZIALNOSCIA**, Poznan
(PL)

(72) Inventor: **Marta Pietrusiak**, Poznan (PL)

(73) Assignee: **MYKOTTY SPOLKA Z
OGRANICZONA
ODPOWIEDZIALNOSCIA**, Poznan
(PL)

(**) Term: **15 Years**

(21) Appl. No.: **29/725,708**

(22) Filed: **Feb. 26, 2020**

(30) **Foreign Application Priority Data**

Jan. 22, 2020 (EM) 007541917

(51) **LOC (13) Cl.** **30-99**

(52) **U.S. Cl.**
USPC **D30/161**

(58) **Field of Classification Search**
USPC D30/161, 162, 199; 119/867, 161,
119/163-172, 174

CPC A01K 1/01; A01K 1/0107; A01K 1/0121;
A01K 1/0111; A01K 1/0117; A01K
1/0135; A01K 1/0114; A01K 1/0125;
A01K 1/015; A01K 1/0157; A01K
1/0152; A01K 1/0155; A01K 1/0154

See application file for complete search history.

(56) **References Cited**

U.S. PATENT DOCUMENTS

5,507,252 A * 4/1996 Ebert A01K 1/0114
119/166
D467,041 S * 12/2002 Cortes-Reuter D30/109

D753,886 S * 4/2016 Veness D30/161
D756,041 S * 5/2016 Robbins, III D30/108
D808,597 S * 1/2018 Veness D30/161
D815,365 S * 4/2018 Scariot D30/118
D816,281 S * 4/2018 Stravitz D30/161
D898,304 S * 10/2020 Tu D30/161
2013/0333625 A1 * 12/2013 Baxter A01K 1/011
119/166
2018/0303057 A1 * 10/2018 Guoqiang A01K 1/0107

OTHER PUBLICATIONS

“Space Kotty Smart Litter Box” available Sep. 9, 2020, [online],
[site visited Apr. 22, 2021]. Retrieved from Internet, URL:https://
www.youtube.com/watch?v=WDfy9ML_EWc (Year: 2020).*

* cited by examiner

Primary Examiner — W. A. Teddy Falloway

Assistant Examiner — Katrina N Gonzalez

(74) *Attorney, Agent, or Firm* — Socal IP Law Group
LLP; Brian Tamsut

(57) **CLAIM**

The ornamental design for a litter box, as shown and
described.

DESCRIPTION

FIG. 1 is a left perspective view of the litter box;
FIG. 2 is a front view thereof;
FIG. 3 is a right perspective view thereof;
FIG. 4 is a top view thereof;
FIG. 5 is a left side view thereof;
FIG. 6 is a right side view thereof;
FIG. 7 is a left rear perspective view thereof;
FIG. 8 is a rear view thereof;
FIG. 9 is a right rear perspective view thereof; and,
FIG. 10 is a bottom view thereof.

1 Claim, 10 Drawing Sheets

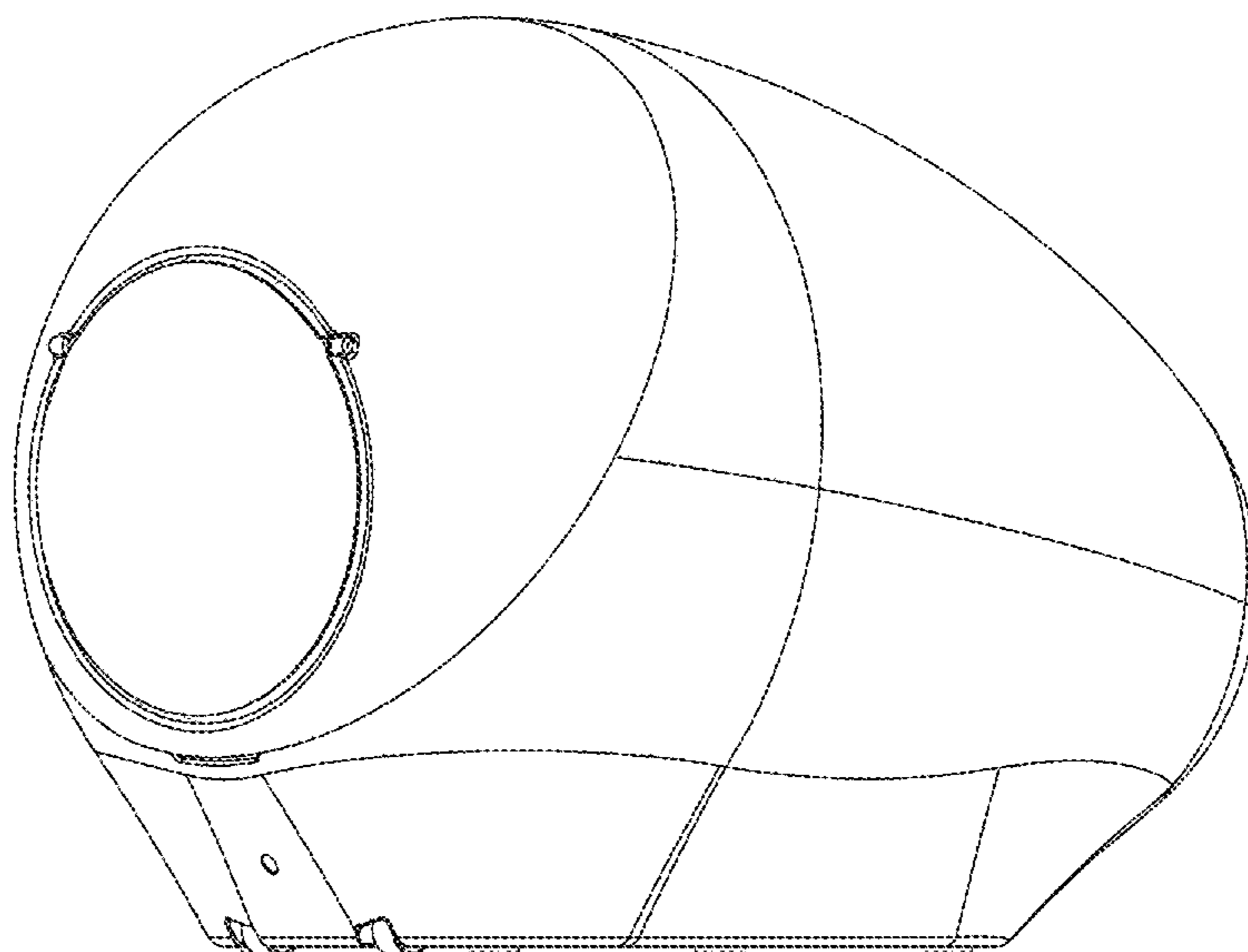


FIG. 1

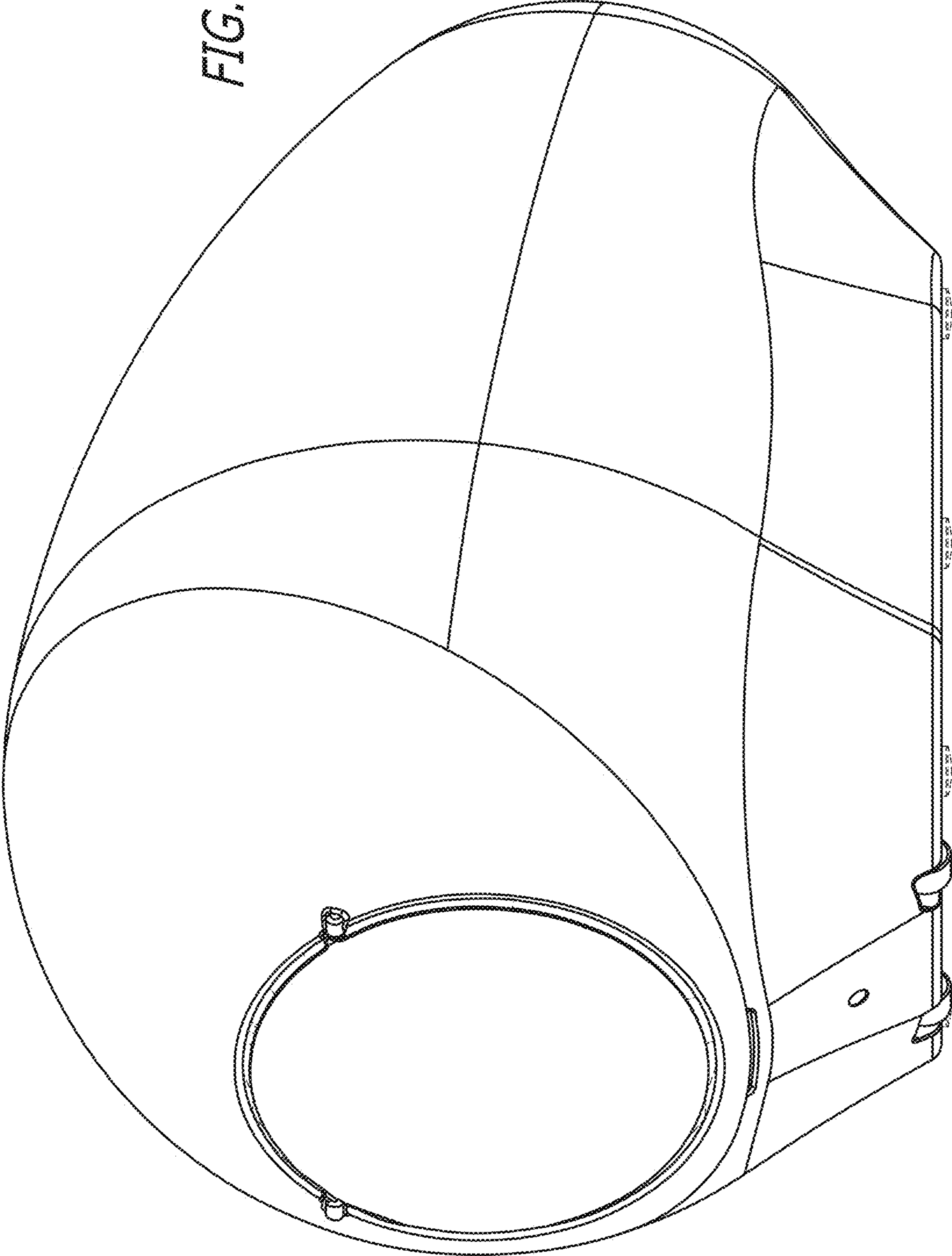
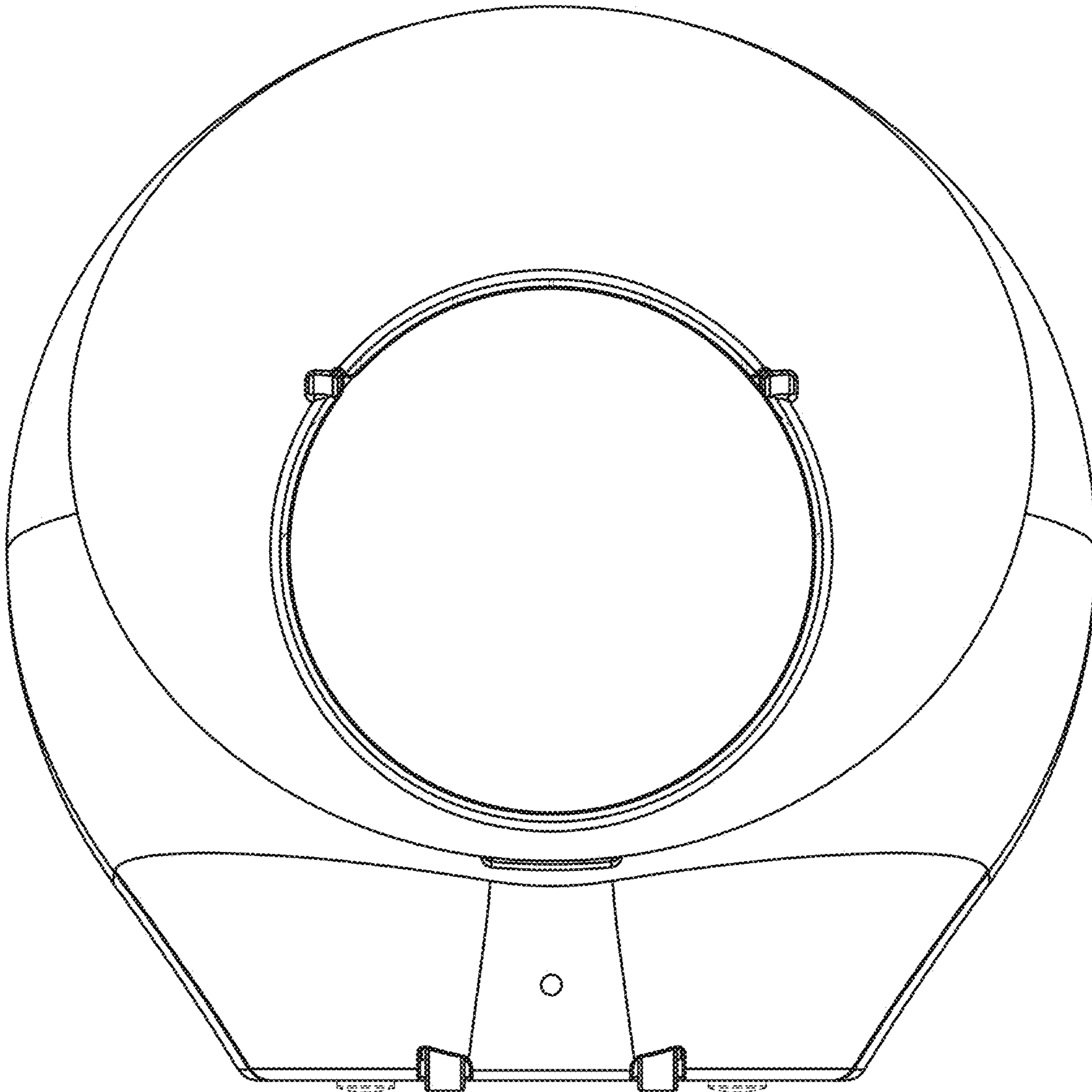


FIG. 2



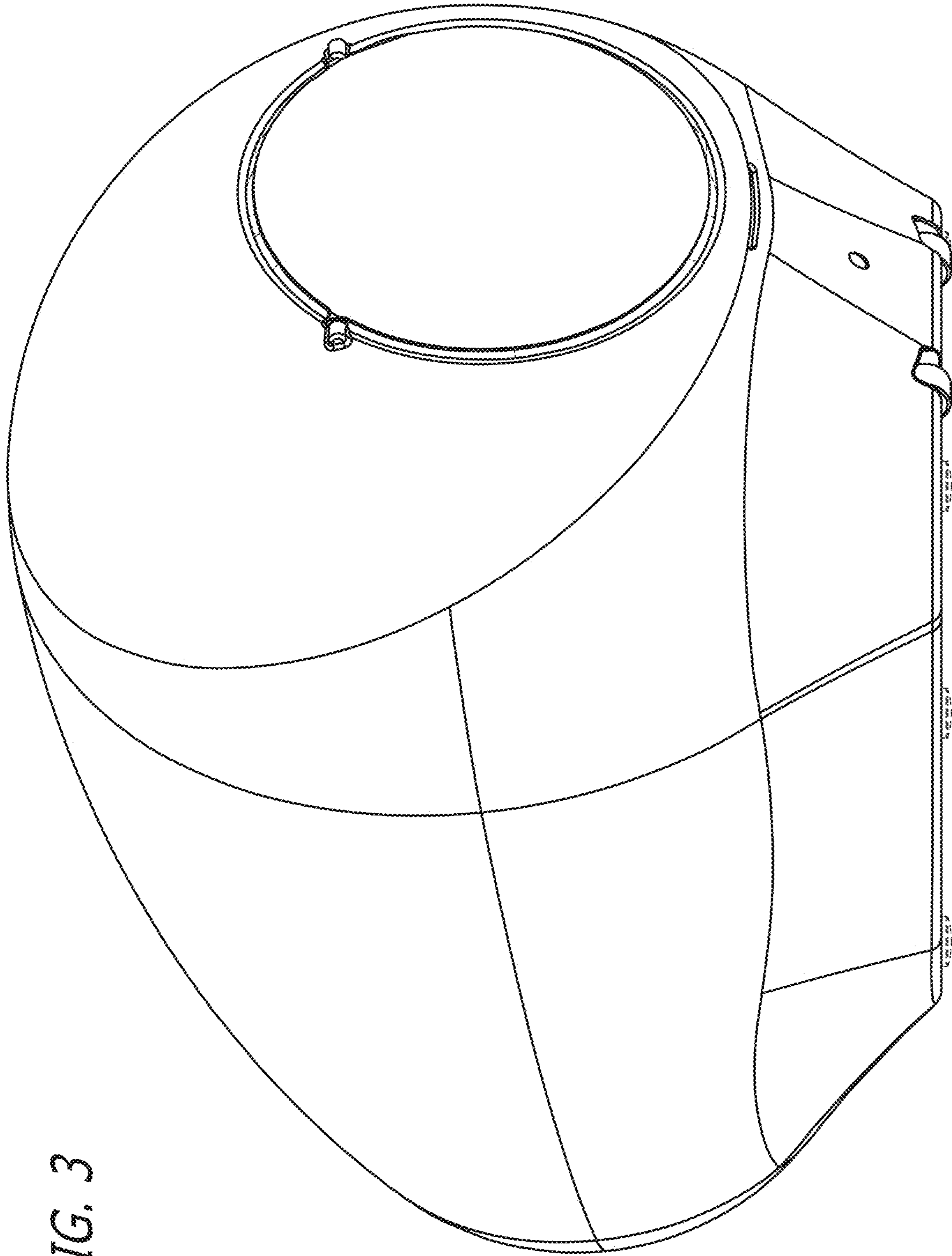


FIG. 3

FIG. 4

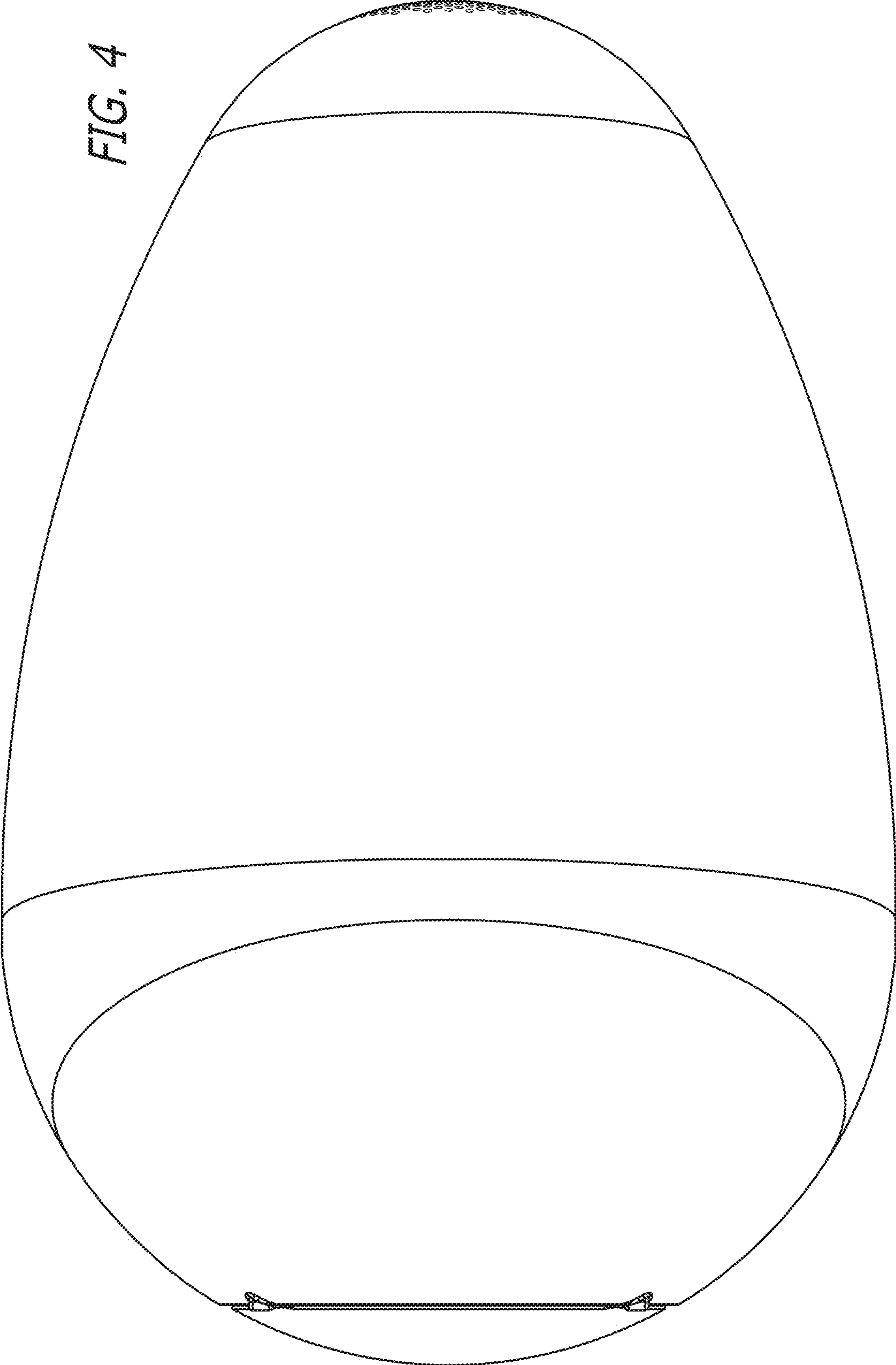
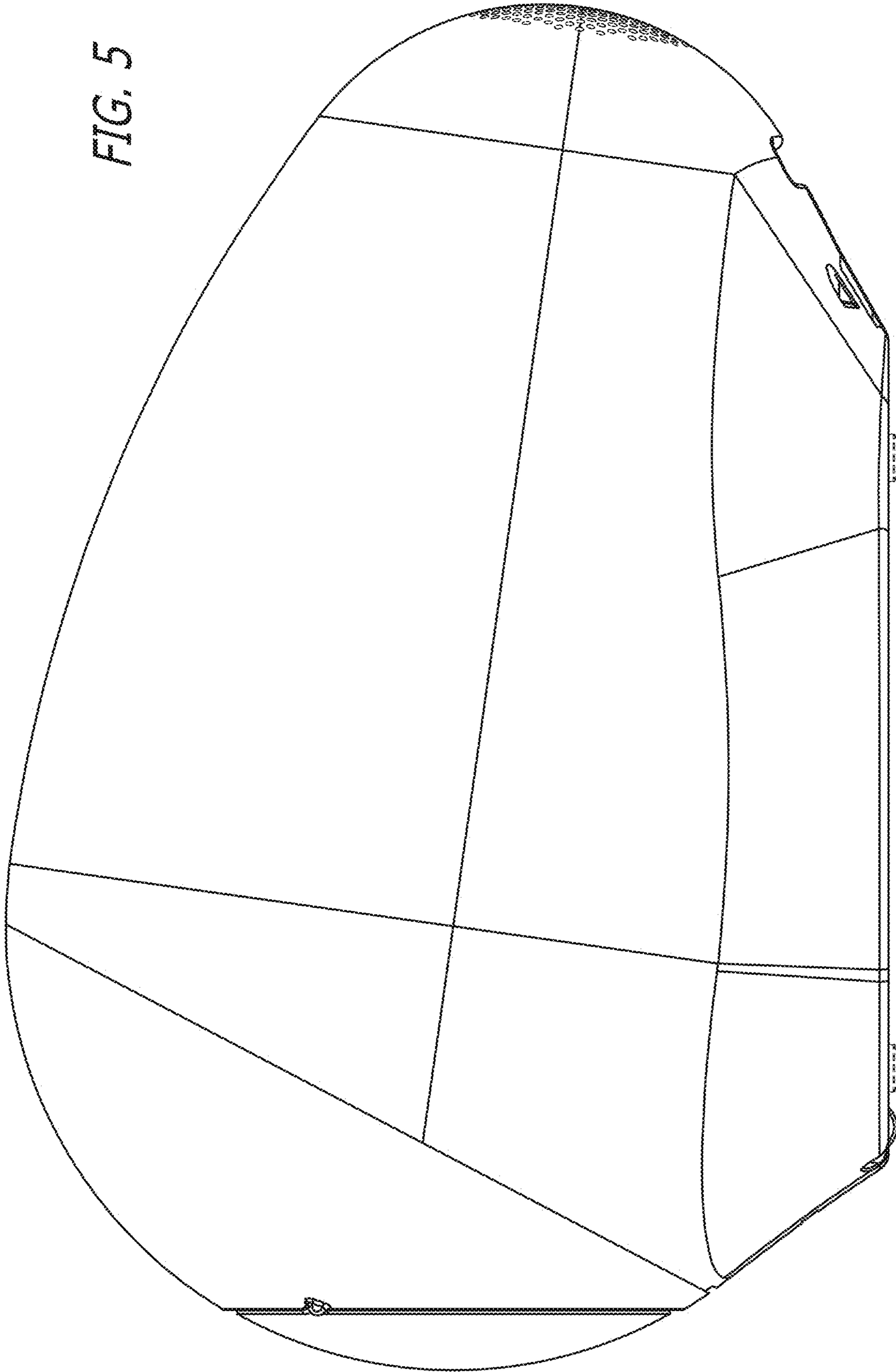


FIG. 5



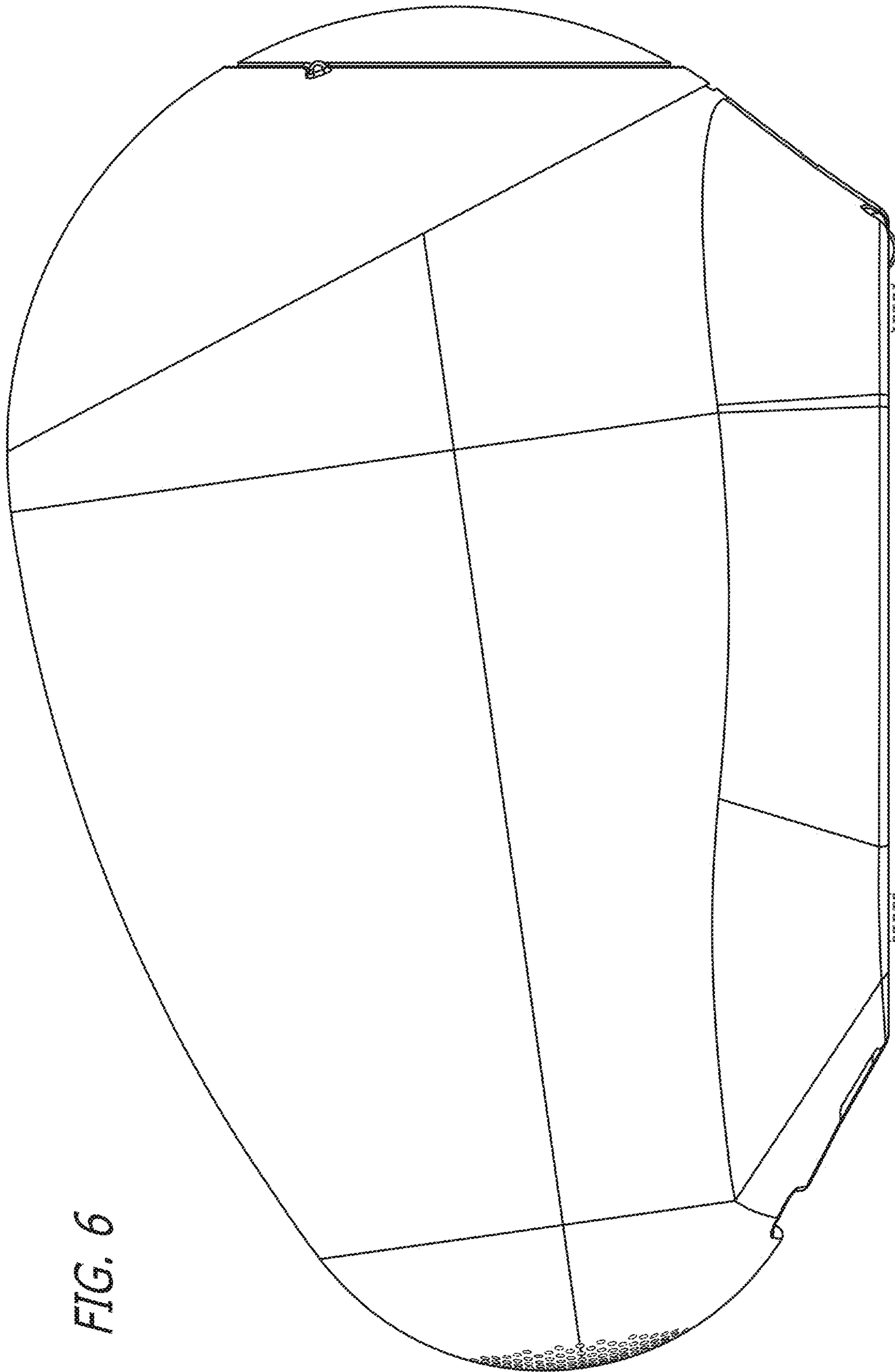


FIG. 6

FIG. 7

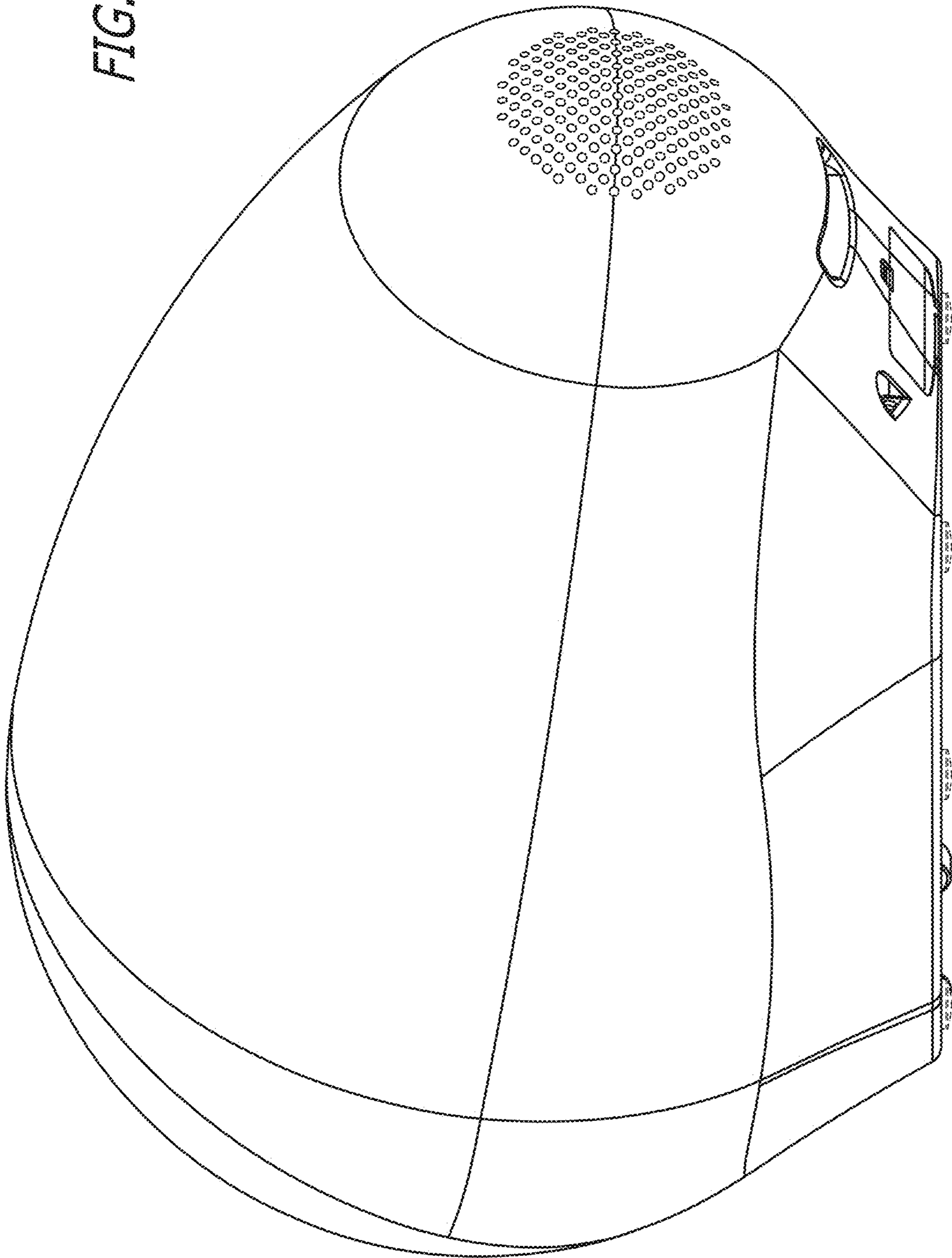
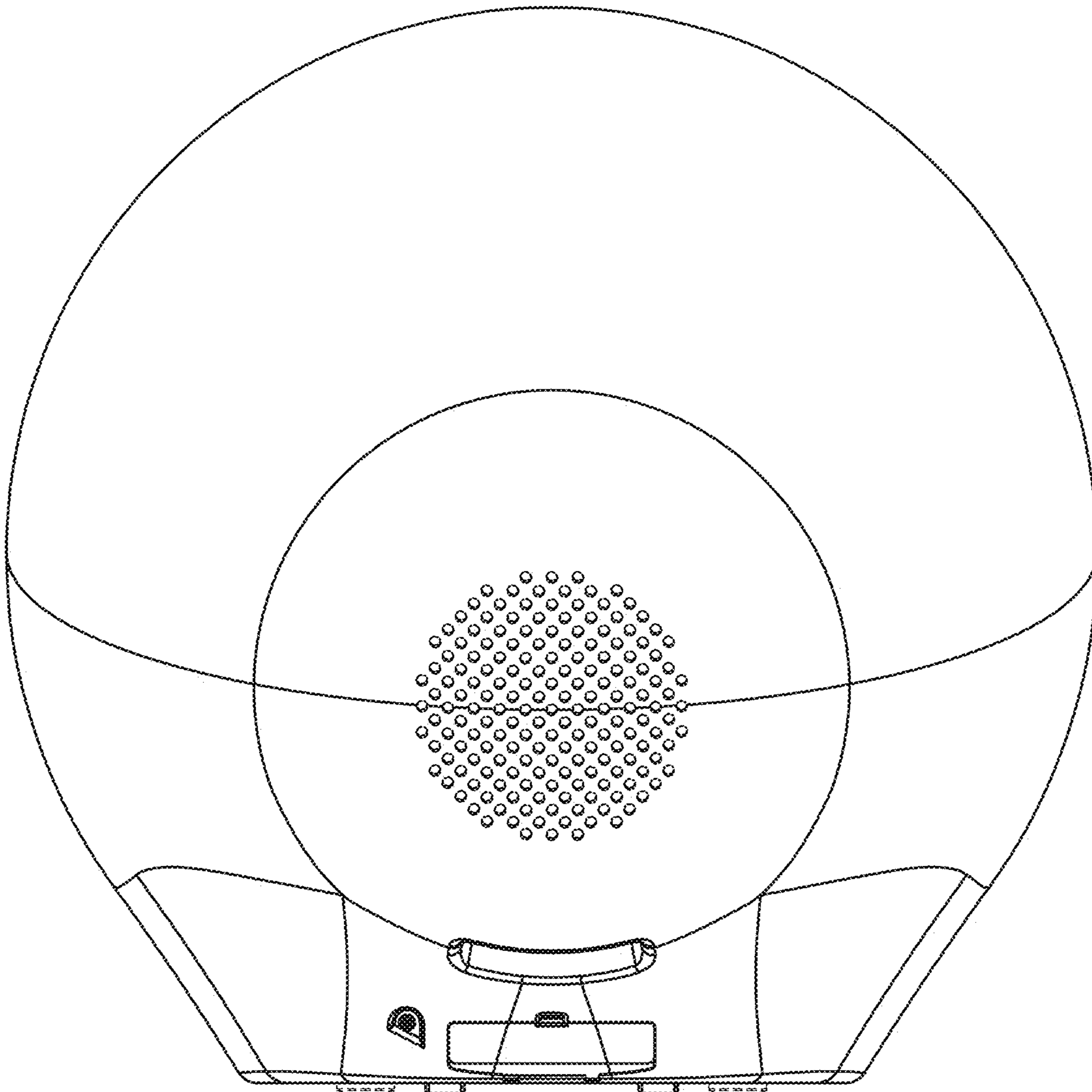


FIG. 8



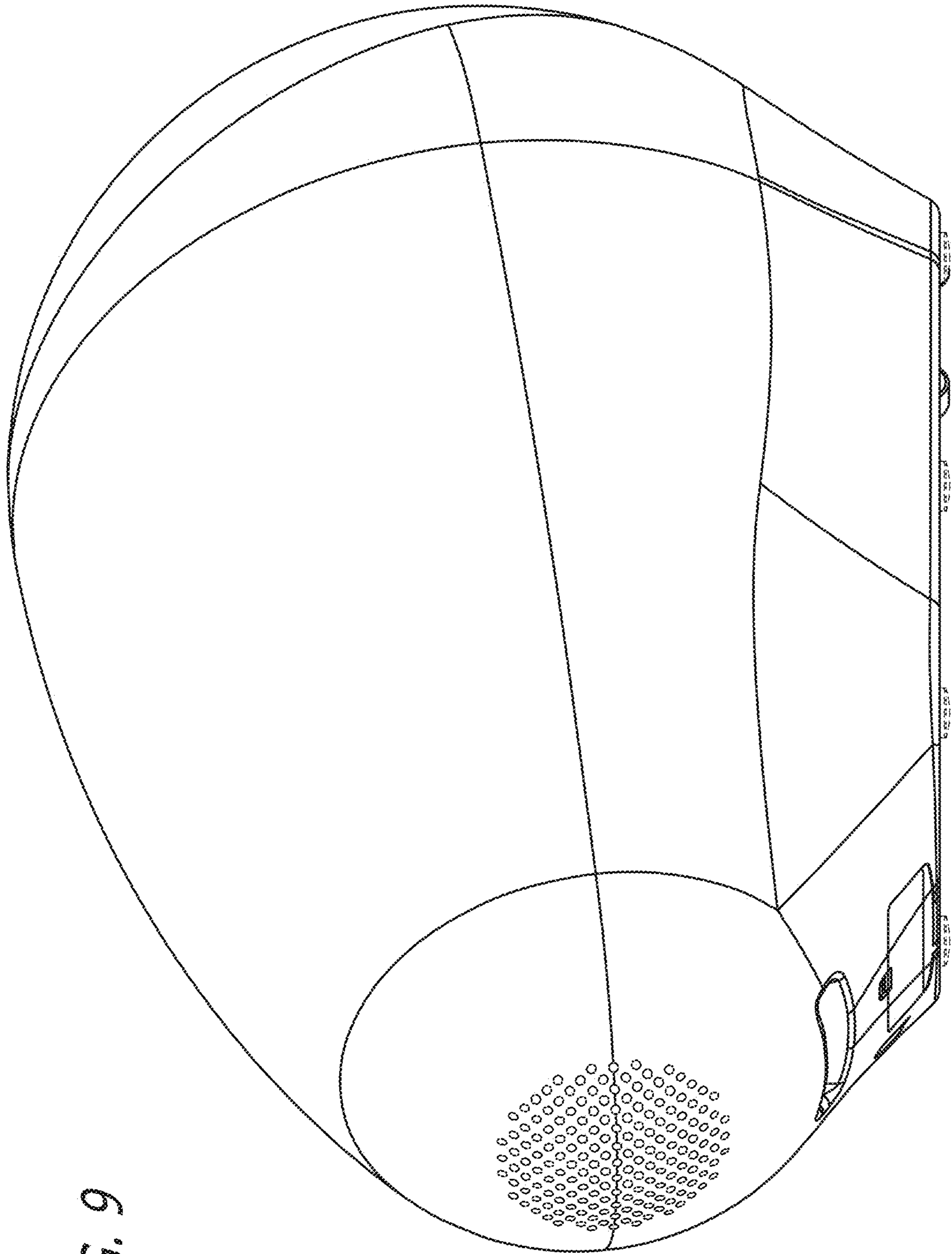


FIG. 9

FIG. 10

