



US00D942093S

(12) **United States Design Patent**  
**Huang**

(10) **Patent No.:** **US D942,093 S**

(45) **Date of Patent:** **\*\* Jan. 25, 2022**

(54) **CAT CLIMBING FRAME**  
(71) Applicant: **Zhengzhou Biwei Import and Export Trade Co., Ltd., Zhengzhou (CN)**

(72) Inventor: **Zheng Huang, Xinye (CN)**

(\*\*) Term: **15 Years**

(21) Appl. No.: **29/774,653**

(22) Filed: **Mar. 18, 2021**

(51) **LOC (13) Cl.** ..... **30-99**

(52) **U.S. Cl.**  
USPC ..... **D30/160**

(58) **Field of Classification Search**  
USPC ..... D30/108-120, 158-161; D3/304  
CPC .... A01K 1/0245; A01K 5/0114; A01K 15/02;  
A01K 15/04; A01K 15/024; A01K  
15/025; A01K 15/027  
See application file for complete search history.

(56) **References Cited**

**U.S. PATENT DOCUMENTS**

D422,754 S	4/2000	Kolozsvan	
D702,891 S	4/2014	Yang	
D846,206 S *	4/2019	He .....	D30/160
D846,818 S *	4/2019	He .....	D30/160
D881,482 S	4/2020	Jayne	
D883,585 S *	5/2020	Song .....	D30/160
D883,586 S *	5/2020	Song .....	D30/160
D884,991 S *	5/2020	Song .....	D30/160
D885,691 S	5/2020	Song	

D886,398 S *	6/2020	Song .....	D30/160
D891,711 S *	7/2020	He .....	D30/160
D891,712 S *	7/2020	He .....	D30/160
D906,605 S *	12/2020	Roost .....	D30/160
D911,633 S	2/2021	Ryan	
2019/0230896 A1*	8/2019	Goldman .....	A01K 1/035

\* cited by examiner

*Primary Examiner* — Sheryl Lane

*Assistant Examiner* — Aula Soroush

(74) *Attorney, Agent, or Firm* — Runit Ranjit Kanakia

(57) **CLAIM**

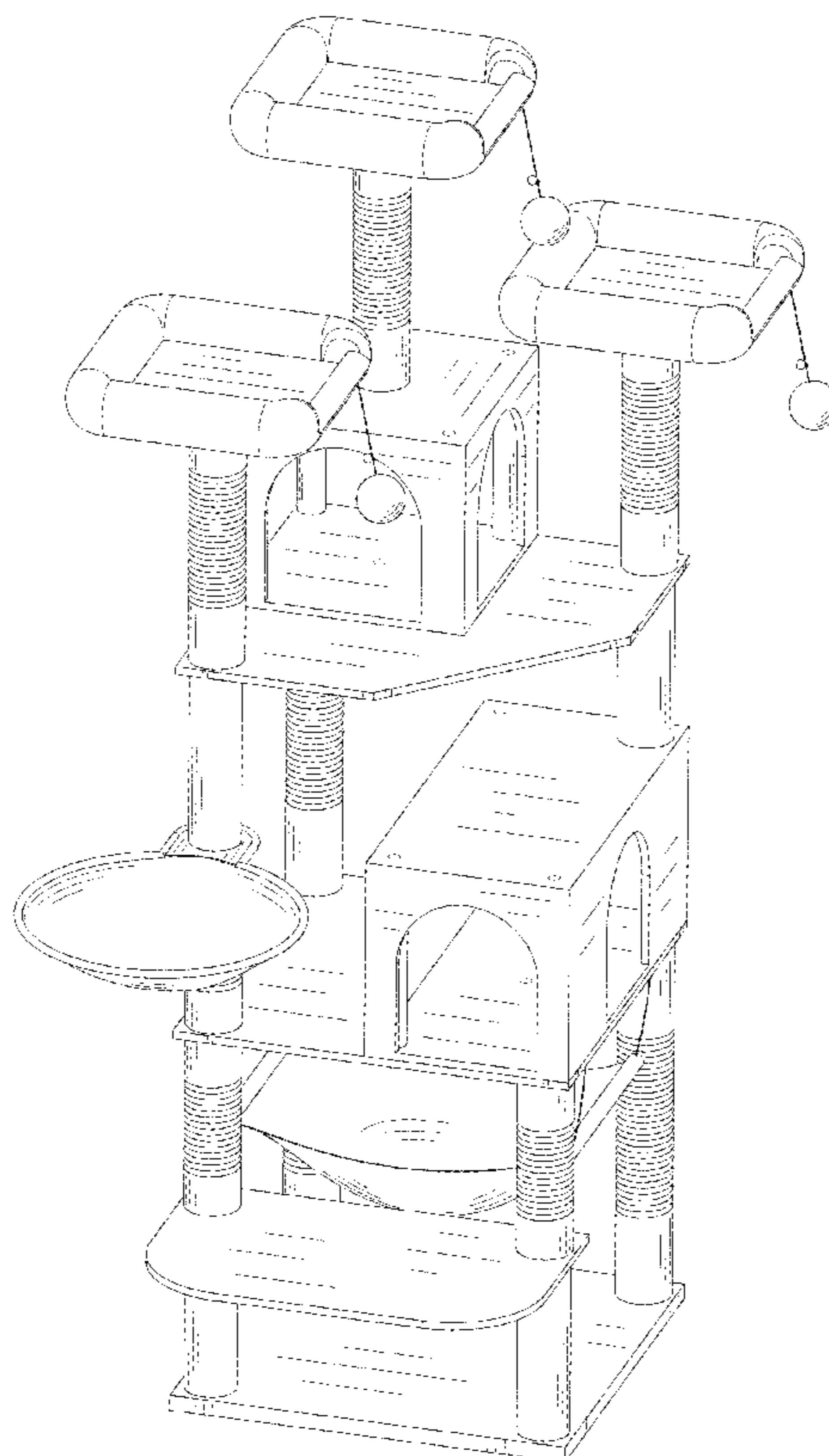
The ornamental design for a cat climbing frame, as shown and described.

**DESCRIPTION**

FIG. 1 is a front elevational view of a cat climbing frame showing my new design;  
FIG. 2 is a rear elevational view thereof;  
FIG. 3 is a left elevational view thereof;  
FIG. 4 is a right side view thereof,  
FIG. 5 is a top plan view thereof,  
FIG. 6 is a bottom plan view thereof;  
FIG. 7 is a perspective view thereof;  
FIG. 8 is a bottom perspective view thereof; and,  
FIG. 9 is a partial enlarged view of FIG. 8.

All other broken lines in the drawings illustrate cutaways for the enlarged views that form no part of the claimed design.

**1 Claim, 9 Drawing Sheets**



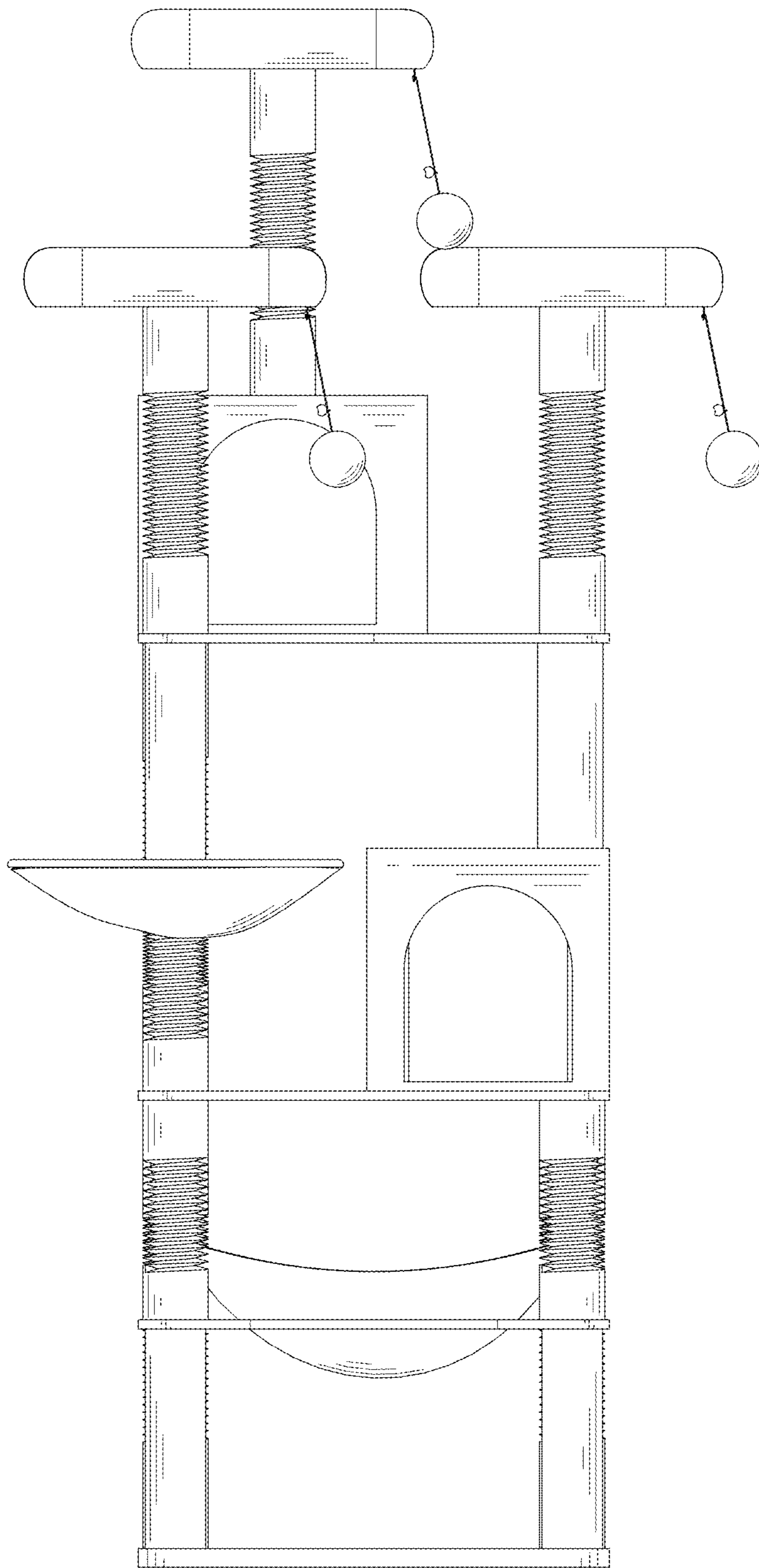


FIG. 1

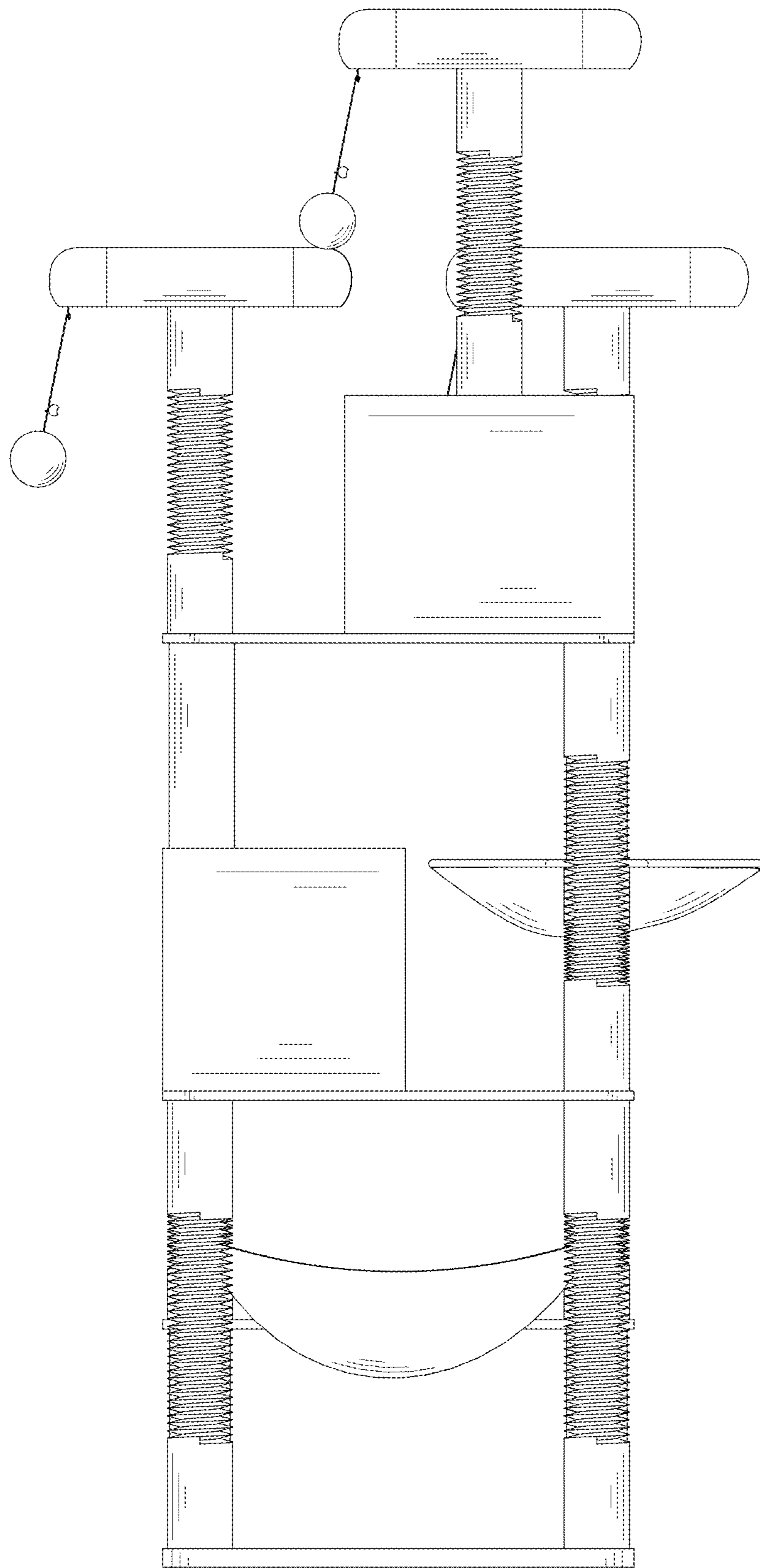


FIG. 2

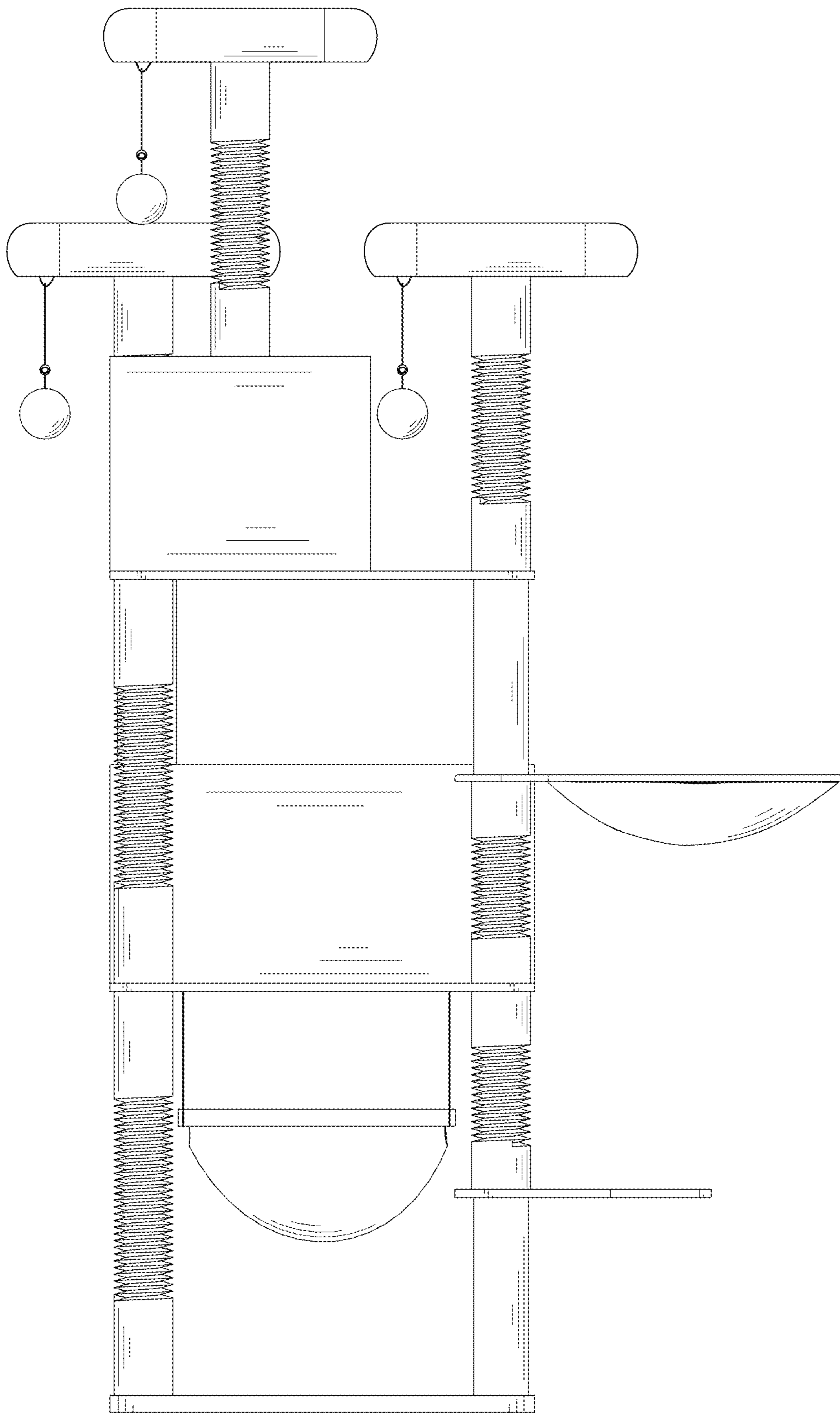


FIG. 3

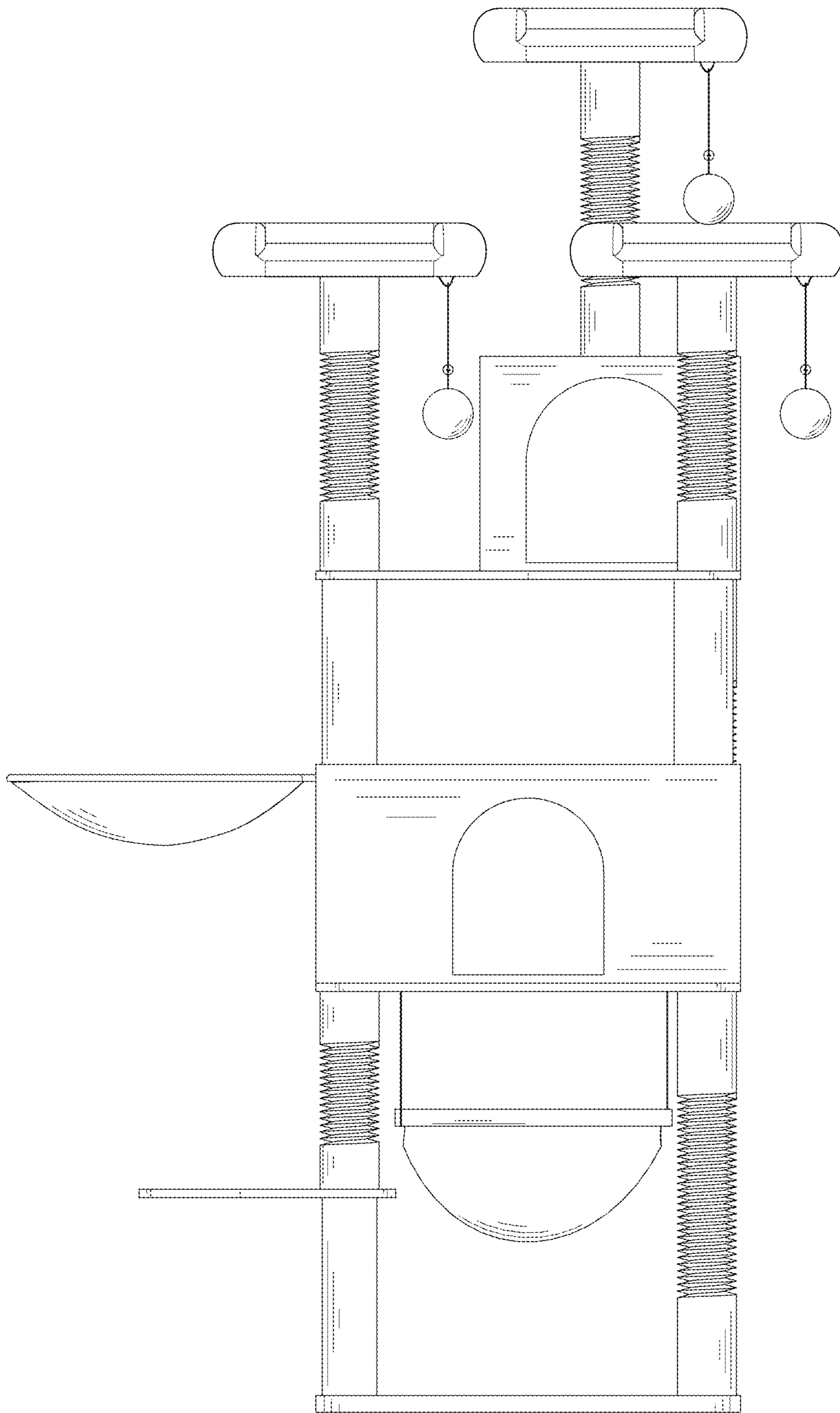


FIG. 4

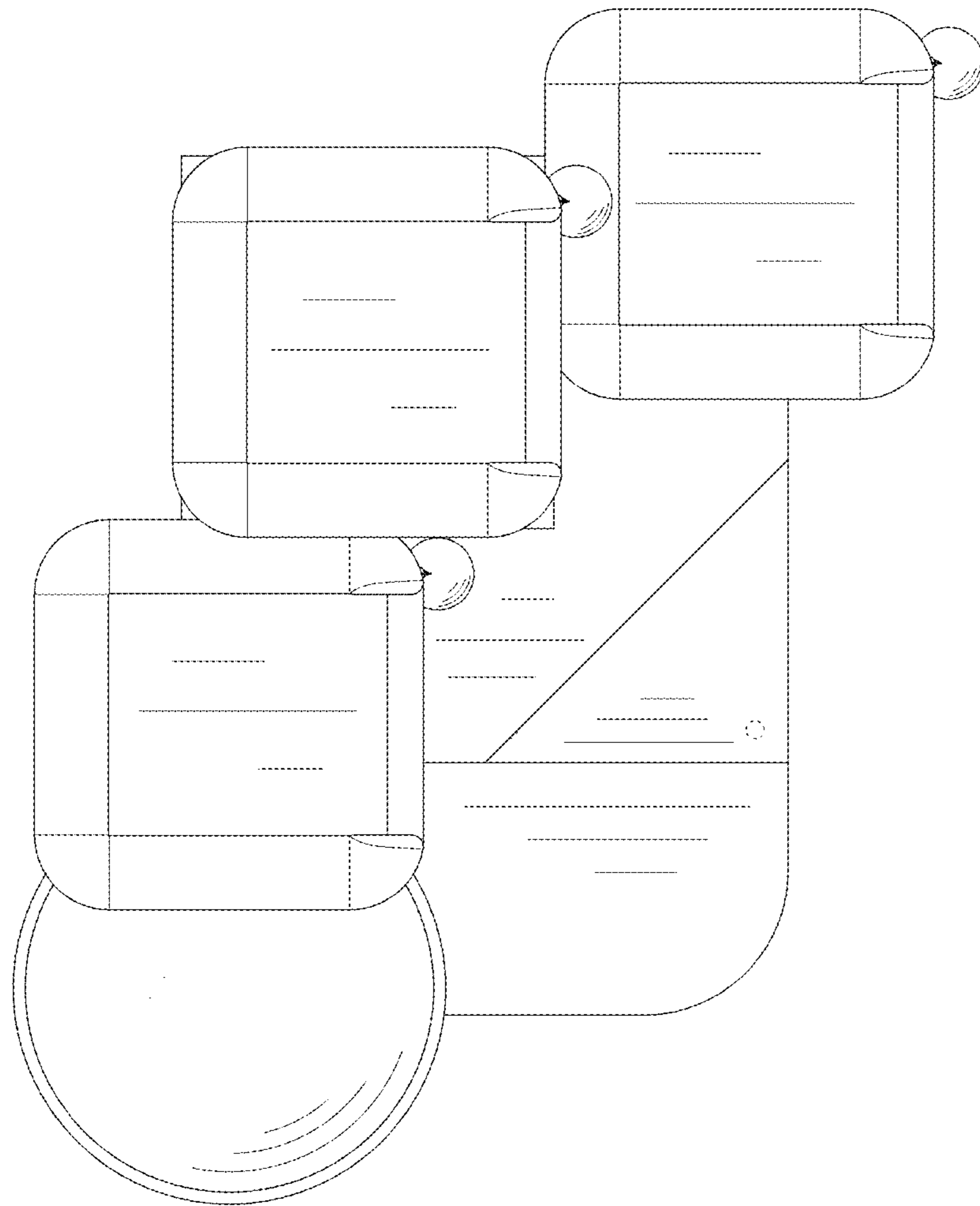


FIG. 5

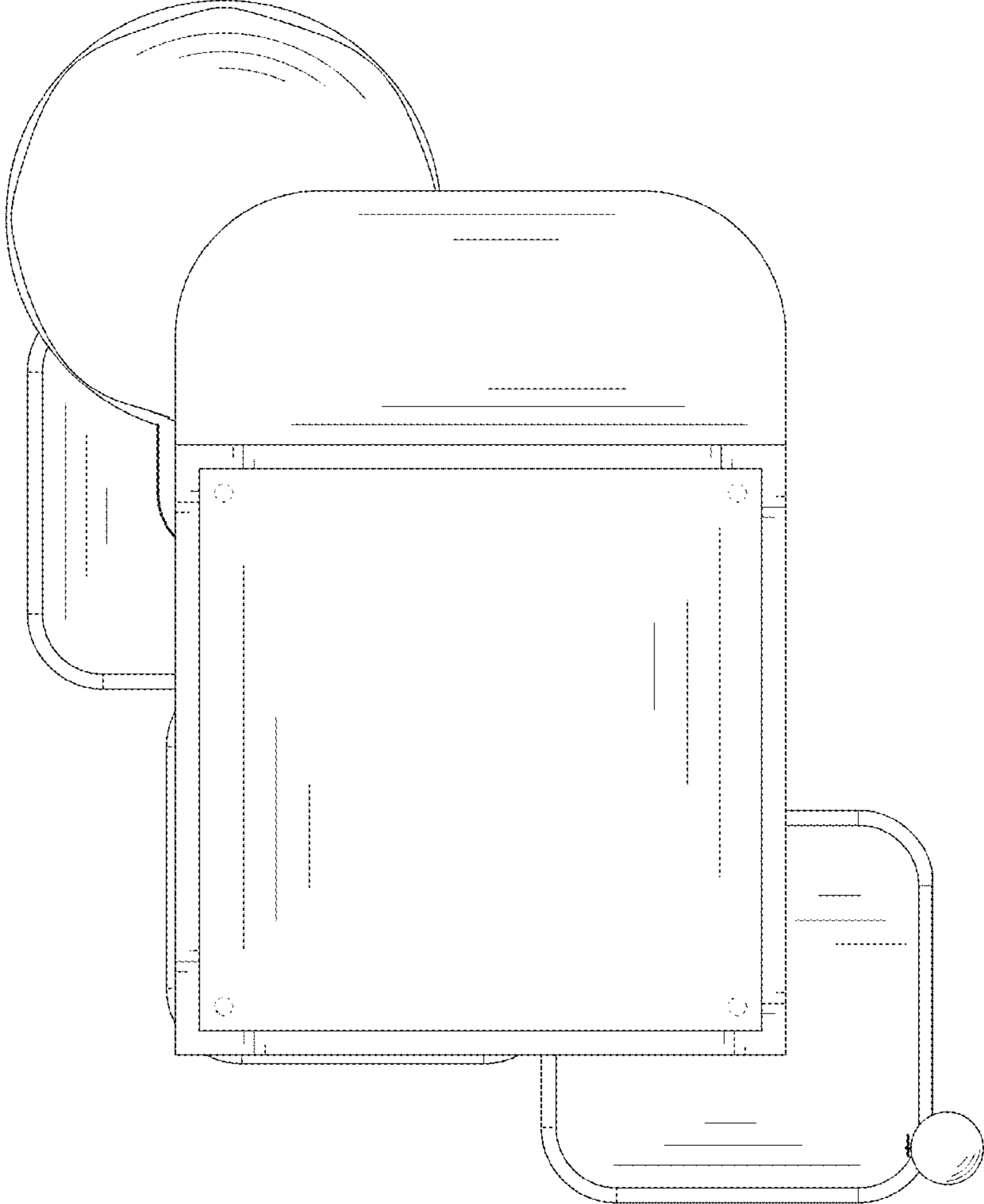


FIG. 6

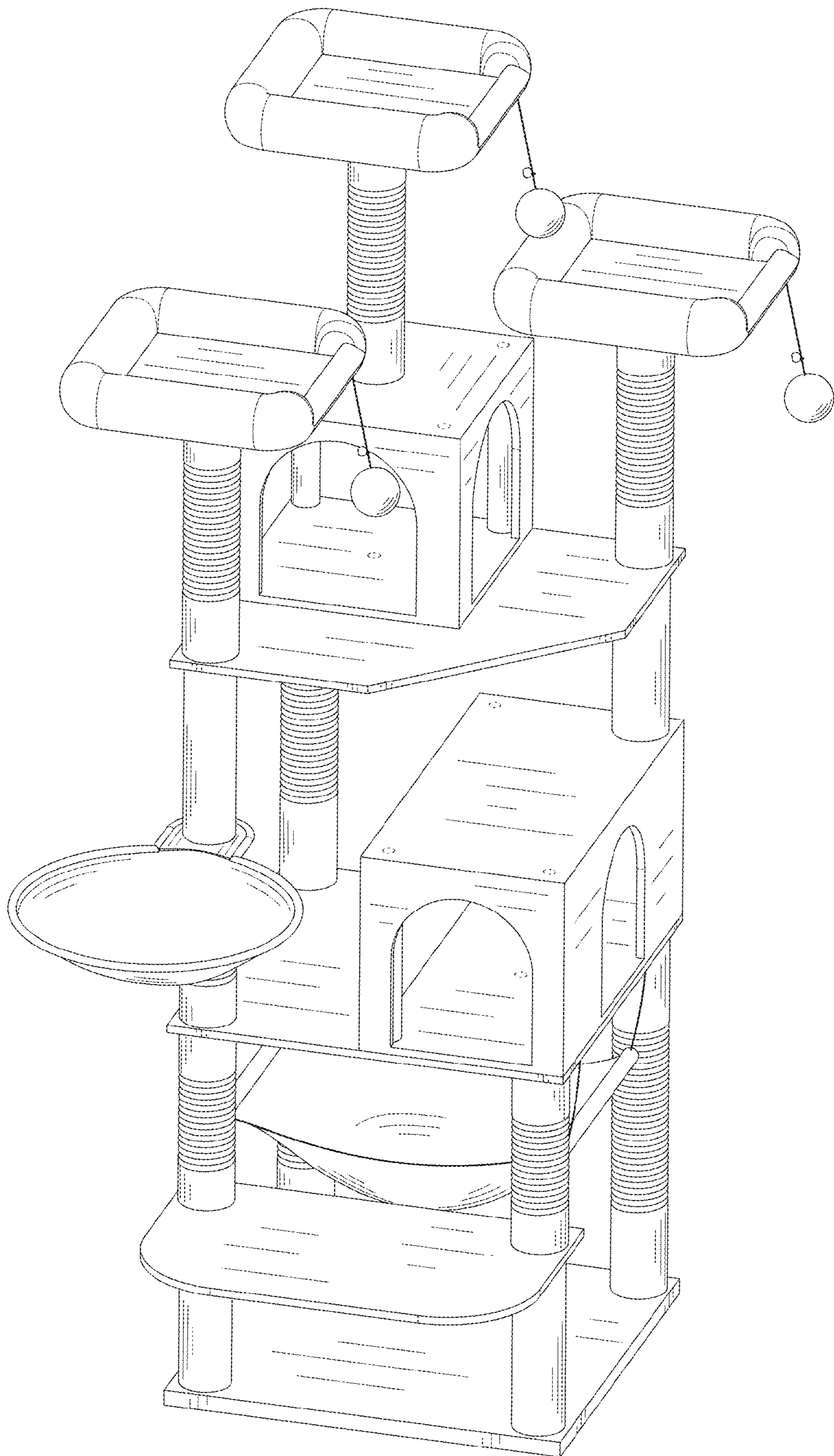
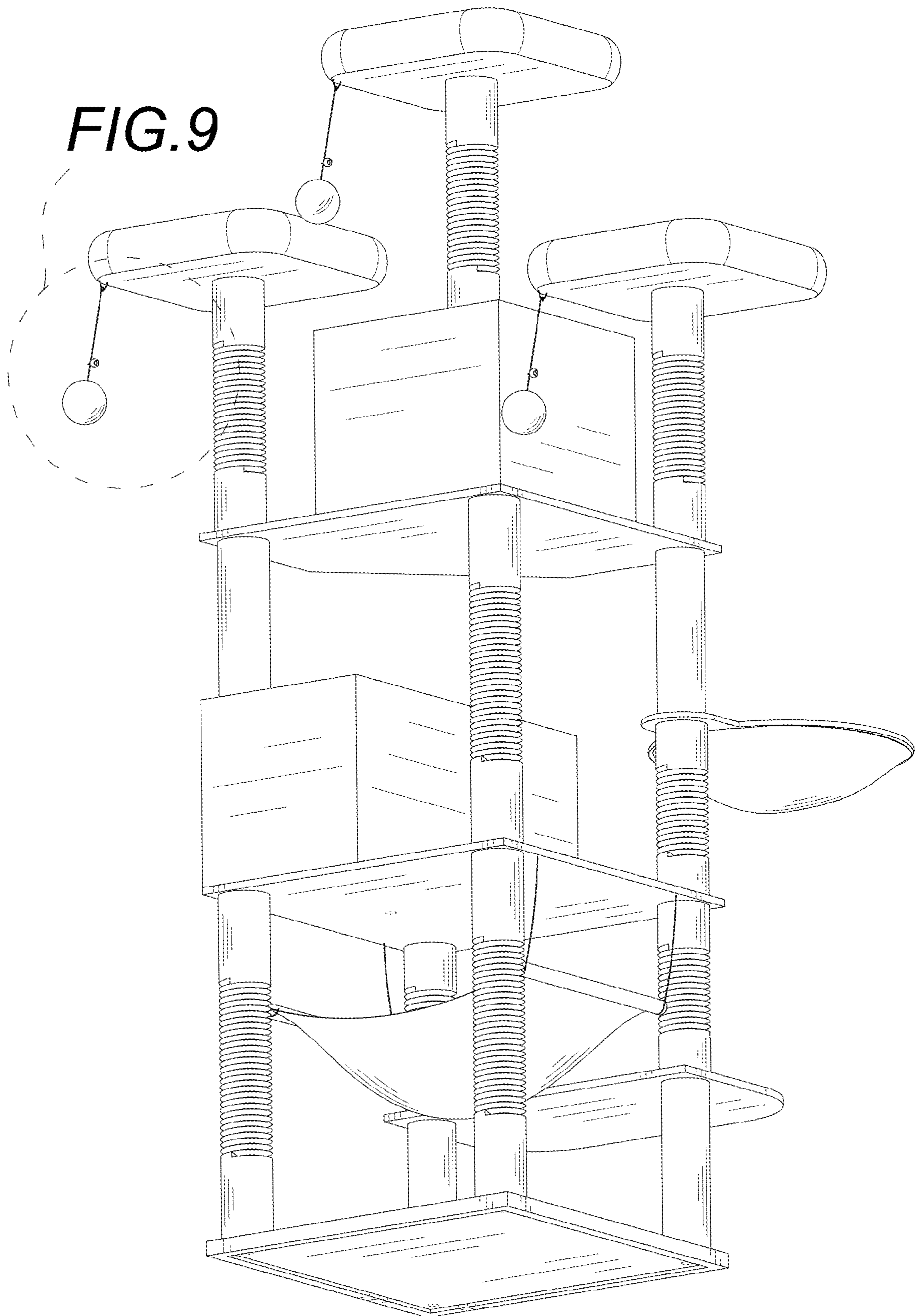


FIG. 7





**FIG. 9**

**FIG. 8**

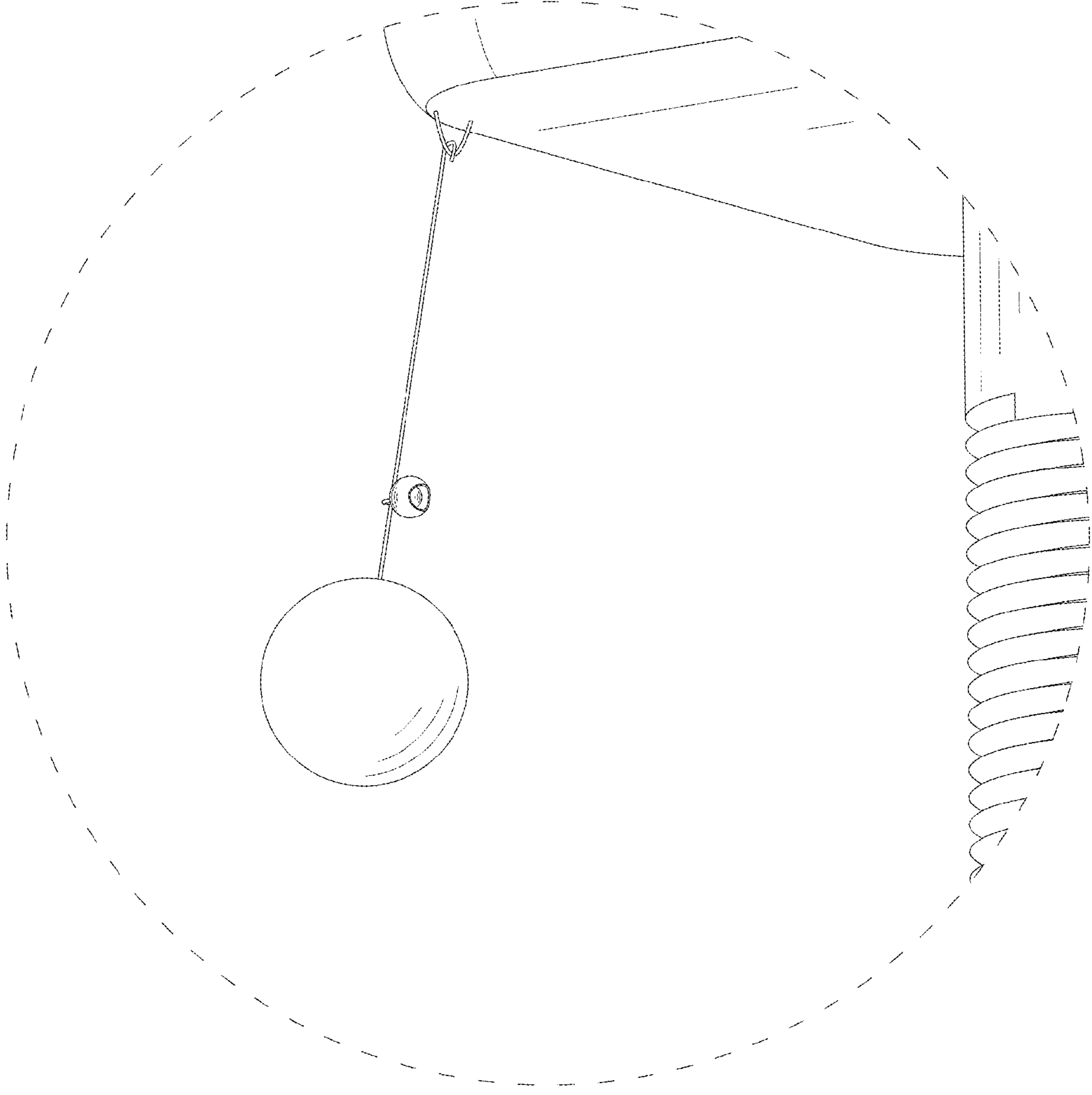


FIG. 9