

US00D942092S

(12) **United States Design Patent**
Skrzypczyk et al.

(10) **Patent No.:** **US D942,092 S**

(45) **Date of Patent:** **** Jan. 25, 2022**

(54) **PET CHEW**

FOREIGN PATENT DOCUMENTS

(71) Applicant: **BIG HEART PET, INC.**, Orrville, OH
(US)

BR DI6503470-0001 6/2006
BR DI6803623-0001 9/2009

(Continued)

(72) Inventors: **Michael William Skrzypczyk**,
Pittsburgh, PA (US); **Eric Edward**
Graf, Venango, PA (US); **Leah**
Wiegmann, Wexford, PA (US);
Lindsey Elizabeth Braem, Pittsburgh,
PA (US); **Nicolas S. Jackson**,
Randolph, NY (US); **Andrew Travis**
Teonchuk, Warren, PA (US); **Gregory**
Austin, Warren, PA (US); **Scott**
Michael Ruland, Warren, PA (US)

OTHER PUBLICATIONS

Examination Report dated Dec. 8, 2020 in Canadian Industrial
Design Appl. No. 1990034.

(Continued)

Primary Examiner — Sandra Snapp

Assistant Examiner — Mehri Bajoul

(74) *Attorney, Agent, or Firm* — Michael A. Olshavsky

(73) Assignee: **BIG HEART PET, INC.**, Orrville, OH
(US)

(57) **CLAIM**

The ornamental design for a pet chew, as shown and
described.

(**) Term: **15 Years**

DESCRIPTION

(21) Appl. No.: **29/685,298**

(22) Filed: **Mar. 27, 2019**

(51) **LOC (13) Cl.** **30-99**

(52) **U.S. Cl.**
USPC **D30/160**

(58) **Field of Classification Search**
USPC D30/158, 160; D1/100, 101, 106-115,
D1/125, 199; D24/102, 103, 211, 212;
D4/104, 136; 119/707-711

(Continued)

FIG. 1 is a top perspective view of a design of a pet chew.
FIG. 2 is a bottom perspective view of the pet chew shown
in FIG. 1.

FIG. 3 is a top plan view of the pet chew shown in FIG. 1.
FIG. 4 is a bottom plan view of the pet chew shown in FIG.
1.

FIG. 5 is a front elevation view of the pet chew shown in
FIG. 1.

FIG. 6 is a rear elevation view of the pet chew shown in FIG.
1.

FIG. 7 is a side view of the pet chew shown in FIG. 1; and,
FIG. 8 is another side view of the pet chew shown in FIG.
1.

The broken lines shown in the drawings depict portions of
the pet chew that form no part of the claimed design. In
addition, the term Nutrish, which does not form part of the
claim design, is a registered trademark of Big Heart Pet, Inc.

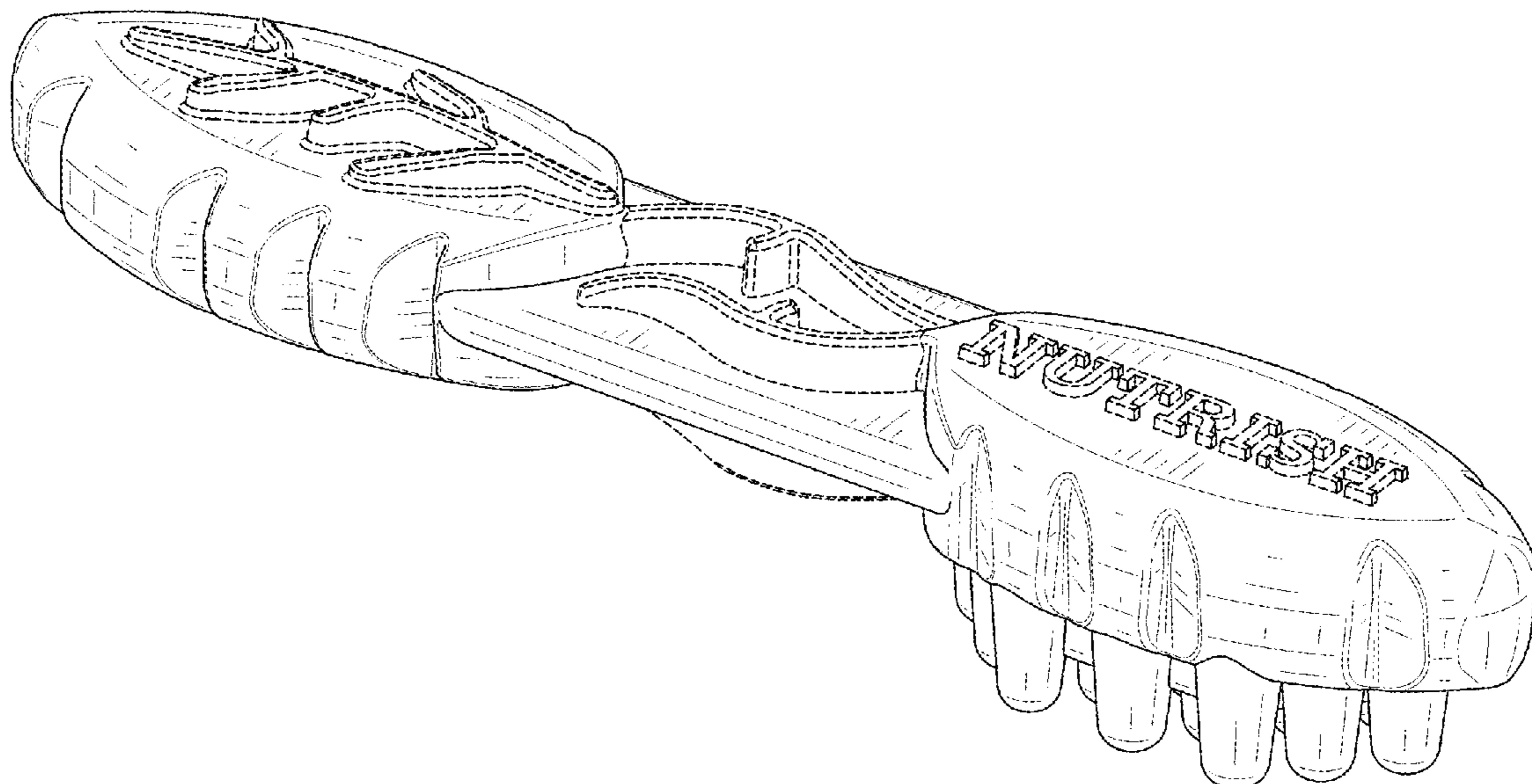
(56) **References Cited**

U.S. PATENT DOCUMENTS

5,263,436 A 11/1993 Axelrod
5,459,899 A * 10/1995 Bauer A46B 9/04
15/167.1

(Continued)

1 Claim, 7 Drawing Sheets



US D942,092 S

(58) **Field of Classification Search**
 CPC A01K 15/026; A61D 5/00; A23K 40/20;
 A46B 2200/00
 See application file for complete search history.

(56) **References Cited**

U.S. PATENT DOCUMENTS

D404,495	S *	1/1999	Chien	D24/211
6,148,771	A	11/2000	Costello		
6,305,326	B1	10/2001	Suchowski et al.		
6,453,501	B1	9/2002	Bella		
D487,351	S *	3/2004	Frazell	D4/104
6,739,287	B1	5/2004	Sarantis		
D499,226	S	12/2004	Axelrod		
D515,817	S *	2/2006	Siemer	D4/108
7,087,260	B2	8/2006	Axelrod		
D528,736	S	9/2006	Koenig et al.		
D529,667	S	10/2006	Axelrod		
D530,481	S	10/2006	Koenig et al.		
D531,365	S	10/2006	Axelrod		
D548,849	S *	8/2007	Huang	D24/211
7,334,286	B2	2/2008	Kayser		
D578,726	S *	10/2008	Edwards	D1/109
D584,476	S *	1/2009	Caudill	D1/125
D584,477	S *	1/2009	Caudill	D1/125
7,490,579	B2	2/2009	Axelrod		
D587,427	S *	3/2009	Torney	D1/106
D587,428	S *	3/2009	Torney	D1/106
D587,429	S *	3/2009	Torney	D1/106
7,497,189	B2	3/2009	Torney et al.		
D590,127	S	4/2009	Caudill et al.		
D601,805	S	10/2009	Kayser		
7,691,315	B2	4/2010	Axelrod		
D635,326	S	4/2011	Freije		
D636,948	S	4/2011	Axelrod et al.		
7,930,996	B2	4/2011	Axelrod et al.		
8,124,156	B2	2/2012	Axelrod et al.		
D684,746	S	6/2013	Pang et al.		
D694,964	S	12/2013	Axelrod et al.		
8,747,938	B2	6/2014	Pater et al.		
D712,471	S *	9/2014	Riddle	D19/59
D715,016	S	10/2014	Huang		
8,875,663	B2	11/2014	Axelrod		
8,899,186	B2	12/2014	Wagstaff et al.		
8,916,179	B2	12/2014	Axelrod et al.		
8,925,494	B2	1/2015	Pang et al.		
8,935,992	B2	1/2015	Axelrod et al.		
D740,518	S	10/2015	Axelrod et al.		
D745,241	S	12/2015	Doerr		
D746,018	S *	12/2015	Axelrod	D1/199
9,351,475	B2	5/2016	Yacov et al.		
9,364,305	B2	6/2016	Lynch		
9,549,959	B2	1/2017	Hurwitz		
9,585,368	B2	3/2017	Gick		
D802,881	S *	11/2017	Falcone	D1/199
D804,190	S *	12/2017	Kuhne	D4/124
D810,394	S	2/2018	Falcone		
D818,212	S	5/2018	Pater et al.		
D821,040	S *	6/2018	Loibl	D30/160
D821,695	S	7/2018	Spivak et al.		
D822,335	S	7/2018	Falcone		
D822,339	S *	7/2018	Wilson	D1/199
D822,340	S	7/2018	Wilson et al.		
D822,943	S *	7/2018	Falcone	D1/199
D825,116	S	8/2018	Wills et al.		
D825,885	S	8/2018	Falcone		
D835,363	S *	12/2018	Hebert	D30/160
D835,383	S	12/2018	Petersen		
D889,756	S *	7/2020	Kelly	D30/160
2001/0029903	A1 *	10/2001	Suchowski	A01K 15/026 119/704
2006/0037160	A1 *	2/2006	Kayser	A46B 5/0079 15/167.1
2006/0102099	A1	5/2006	Edwards		
2007/0013104	A1 *	1/2007	Axelrod	B29C 45/0081 264/297.2

2007/0044730	A1 *	3/2007	Axelrod	A01K 15/026 119/709
2007/0101946	A1	5/2007	Penny		
2008/0041320	A1 *	2/2008	Torney	A23K 40/20 119/709
2012/0279460	A1 *	11/2012	Pang	A01K 15/026 119/709
2013/0273125	A1 *	10/2013	Barnvos	A23K 40/20 424/401
2015/0090192	A1	4/2015	Powers et al.		
2015/0090193	A1	4/2015	Giarrizzo		
2016/0198740	A1	7/2016	Quest et al.		
2018/0055013	A1	3/2018	Daley et al.		
2018/0243063	A1	8/2018	Coopersmith et al.		
2018/0271061	A1	9/2018	Spivak et al.		
2018/0325145	A1	11/2018	Torney et al.		
2018/0332823	A1	11/2018	Blaisdell		

FOREIGN PATENT DOCUMENTS

CH	143320-0001	7/2017
CH	143320-0002	7/2017
CN	3585187	11/2006
CN	3627212	4/2007
CN	301050370	11/2009
CN	301467110	2/2011
CN	201976575	9/2011
CN	301695991	10/2011
CN	301695992	10/2011
CN	301695995	10/2011
CN	302245227	12/2012
CN	302302081	1/2013
CN	302876795	7/2014
CN	304049748	2/2017
CN	304060335	2/2017
CN	304141729	5/2017
CN	304609262	5/2018
CN	304615383	5/2018
CN	304977275	1/2019
EM	000196167-0001	7/2004
EM	000639489-0001	12/2006
EM	000639489-0002	12/2006
EM	000876917-0001	2/2008
EM	000947361-0001	6/2008
EM	000947361-0002	6/2008
EM	002822932-0001	10/2015
EM	002863464-0001	11/2015
EM	003059518-0001	4/2016
EM	003183730-0001	6/2016
EM	003183730-0002	6/2016
EM	004019719-0001	5/2017
EM	004019719-0002	5/2017
EP	2037755	3/2009
IN	217642-0001	8/2008
IN	217645-0001	8/2008
JP	D1350756	1/2009
JP	D1358368	4/2009
JP	D1359011	4/2009
JP	D1363512	5/2009
JP	D1581976	6/2017
JP	D1607726	6/2018
JP	D1607727	6/2018
JP	D1622542	12/2018
KR	300908544.0000	5/2017
KR	300908557-0000	5/2017
KR	300944754.0000	2/2018
MX	49938-0001	6/2017
NO	085566-0001-0001	7/2017
RU	00072759	11/2009
RU	00096623	11/2015
RU	00105235	10/2017
RU	00105820	11/2017
RU	00106122	12/2017
RU	00106123	12/2017
RU	00106750	1/2018
RU	00107982	4/2018
TR	201704083-0001	8/2017

(56)

References Cited

FOREIGN PATENT DOCUMENTS

TR	201704083-0002	8/2017
VN	3-0012181-000-156	8/2008
WO	D103756-001	8/2017

OTHER PUBLICATIONS

Examination Report dated Mar. 16, 2021 in Canadian Industrial Design Appl. No. 201920.

* cited by examiner

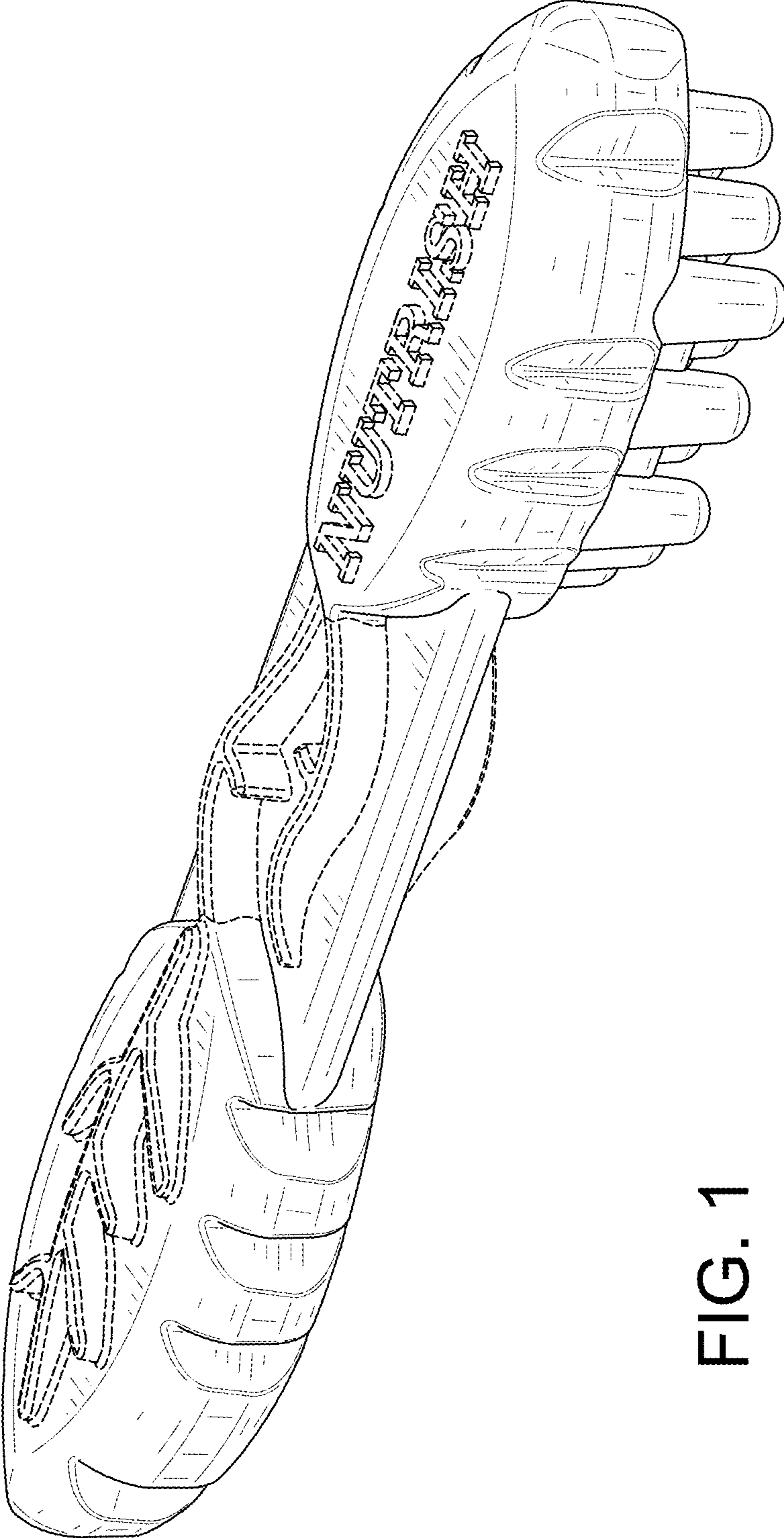


FIG. 1

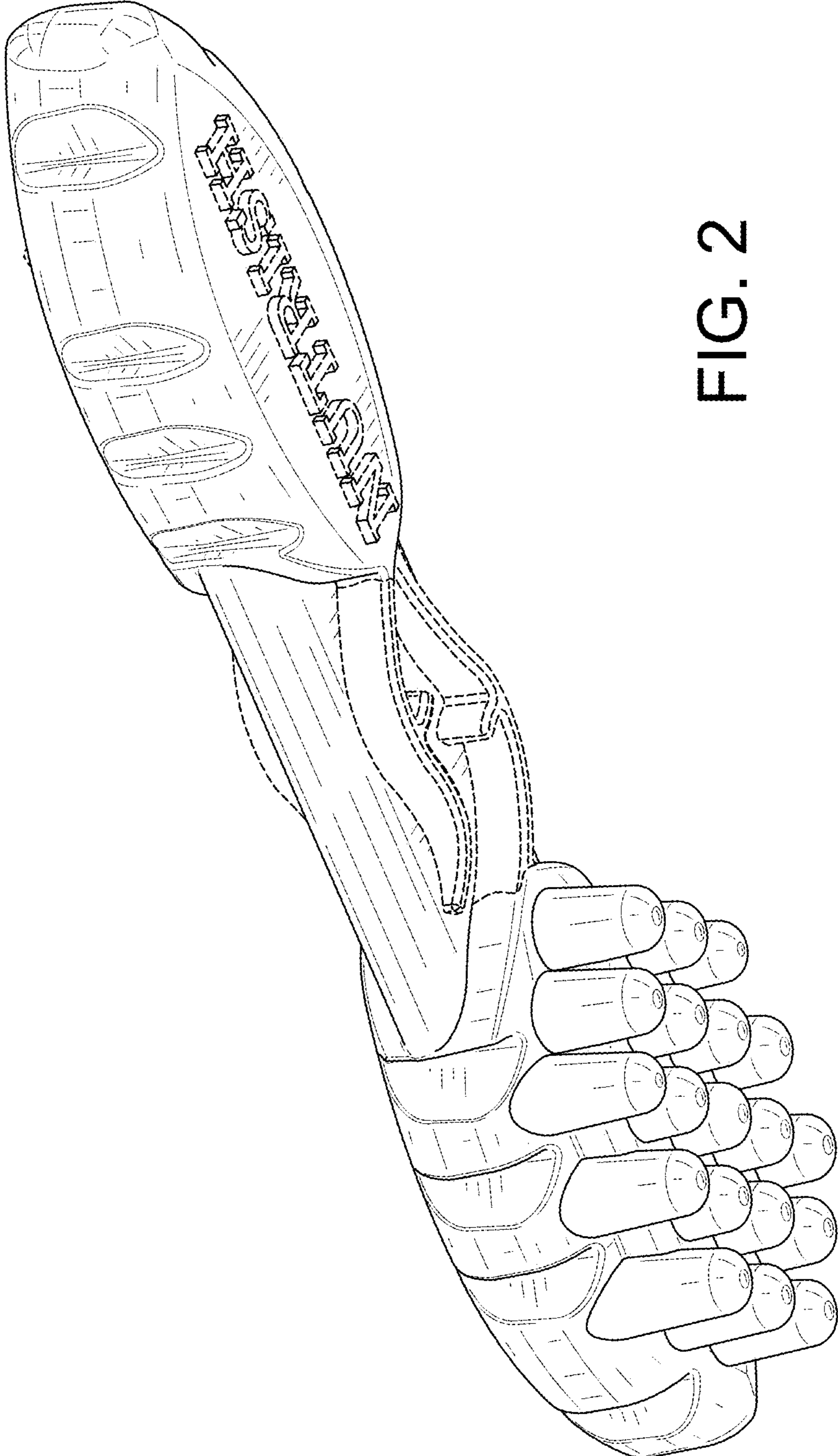


FIG. 2

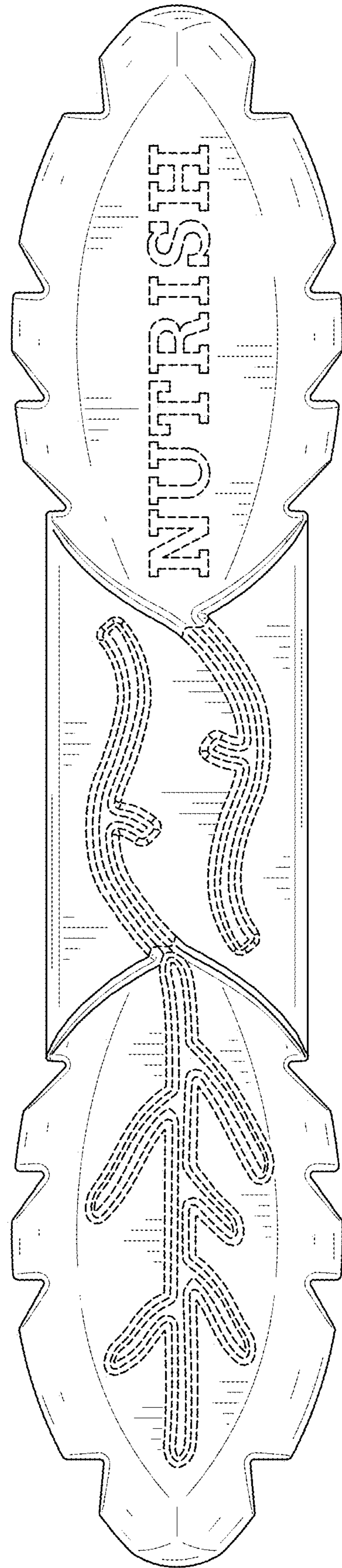


FIG. 3

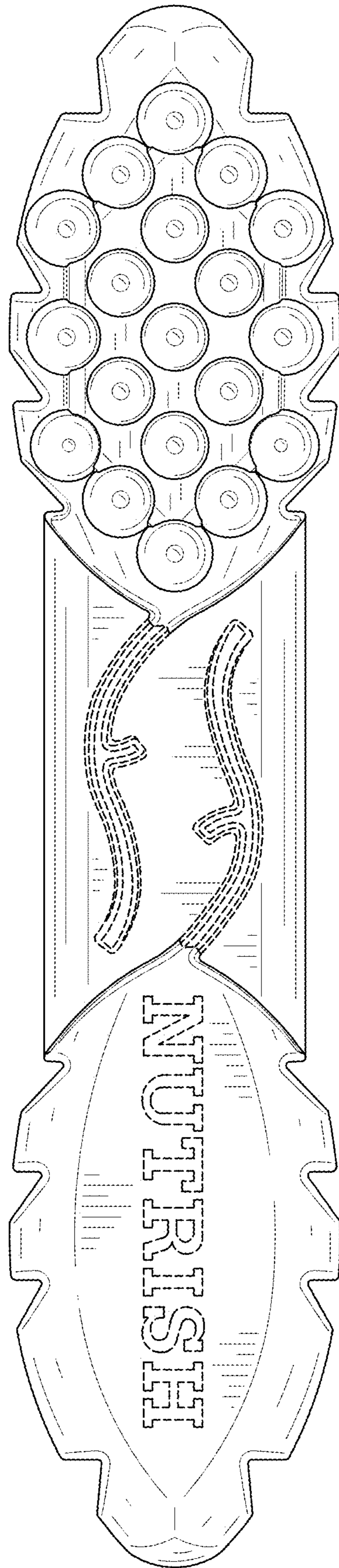


FIG. 4

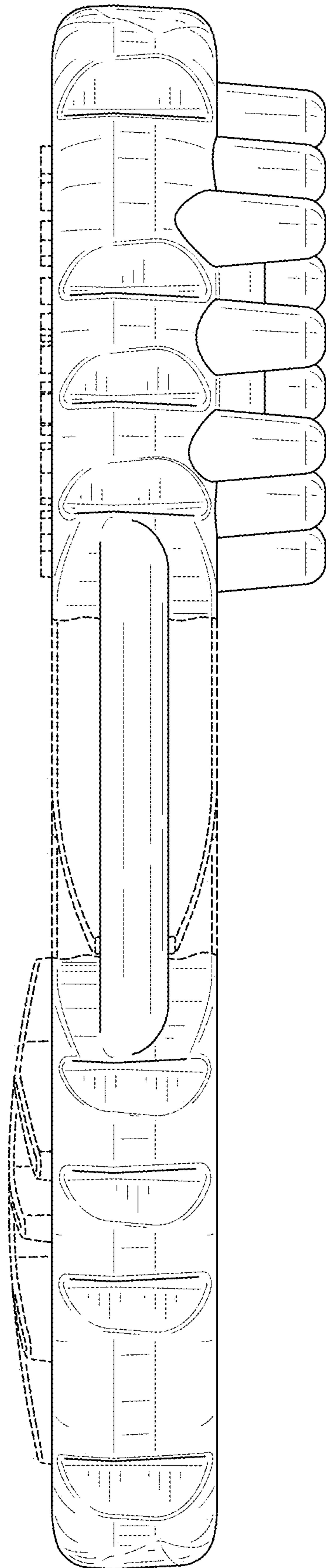


FIG. 5

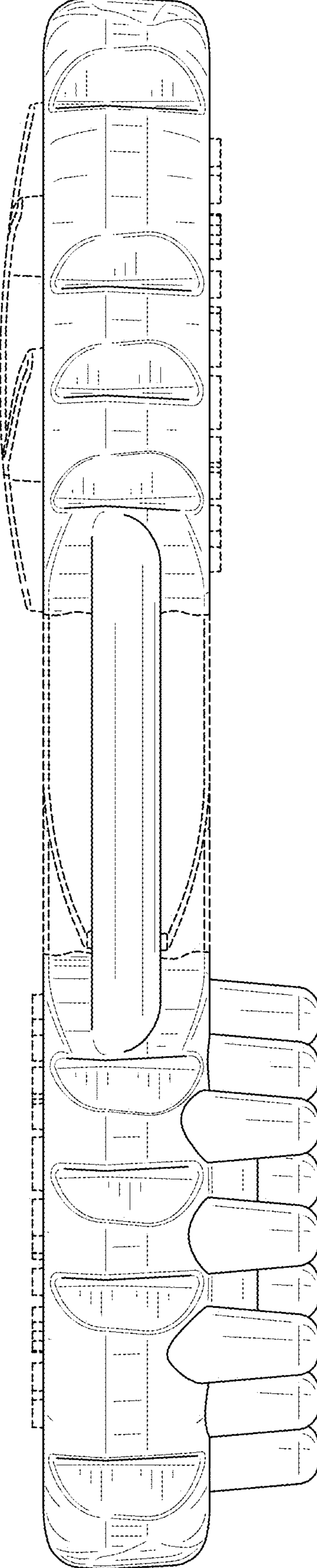


FIG. 6

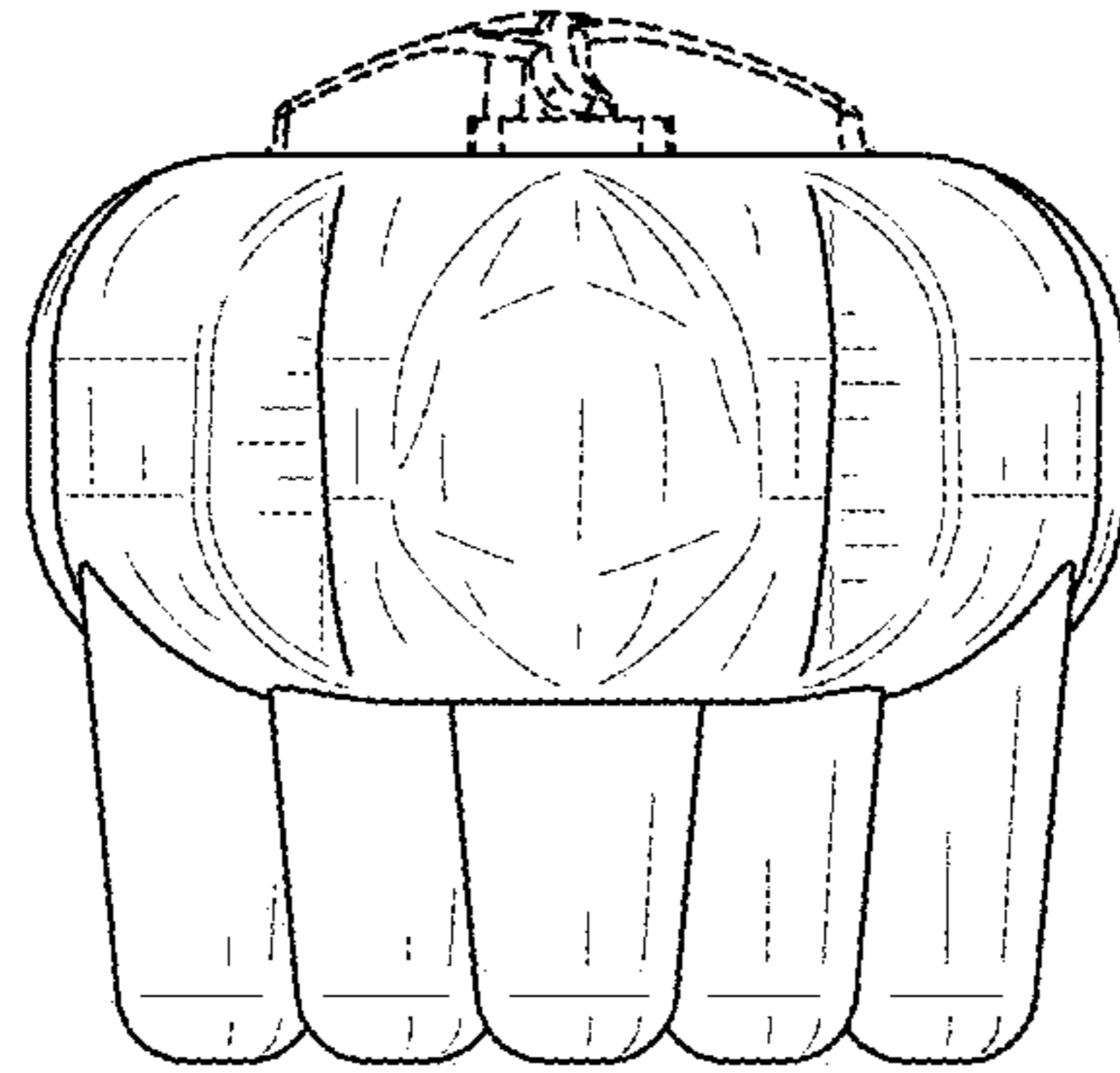


FIG. 7

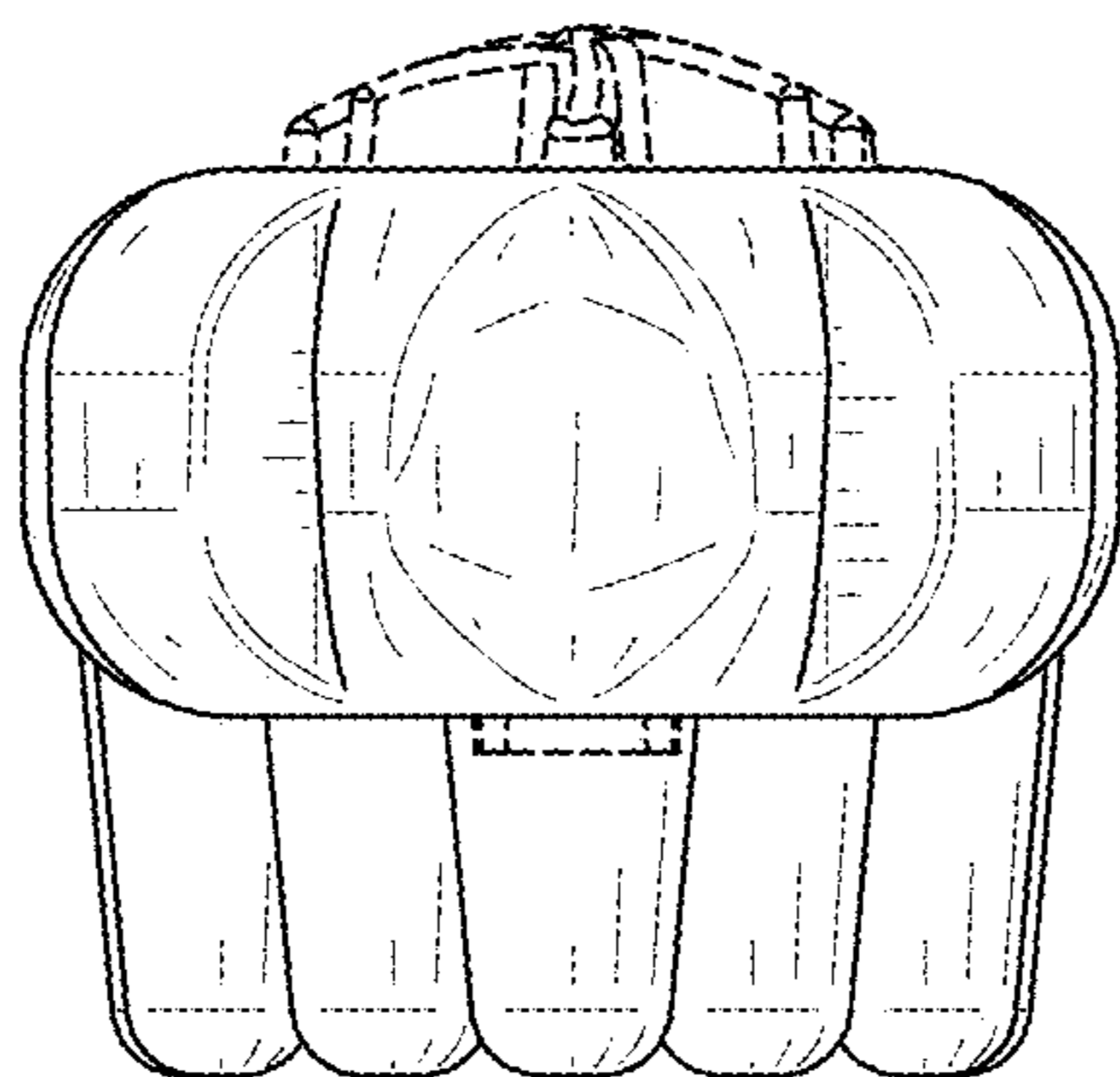


FIG. 8