



US00D942091S

(12) **United States Design Patent** (10) **Patent No.:** **US D942,091 S**
Jin (45) **Date of Patent:** **** Jan. 25, 2022**

(54) **PET WATER DISPENSER**
(71) Applicant: **Shenzhen DJ Innovation Industry Co., Ltd, Shenzhen (CN)**
(72) Inventor: **Bo Jin, Shenzhen (CN)**

D907,865 S * 1/2021 Kim A01K 7/02
D30/132
2003/0098310 A1* 5/2003 McGee A47G 19/02
220/574.3
2020/0086245 A1* 3/2020 Yoo B01D 35/027
2020/0087135 A1* 3/2020 Youn A01K 7/027
2020/0091769 A1* 3/2020 Yoo A01K 7/02

(**) Term: **15 Years**

OTHER PUBLICATIONS

(21) Appl. No.: **29/757,956**

Lu&Ba Pet Water Fountain found on Sep. 1, 2021 at: <https://www.amazon.com/Lu-Ba-Fountain-Automatic-Dispenser/dp/B08VJ6DWTB/> (Year: 2021).*

(22) Filed: **Nov. 11, 2020**

(30) **Foreign Application Priority Data**

* cited by examiner

Oct. 29, 2020 (CN) 202030650784.9

Primary Examiner — Karen S Acker
Assistant Examiner — Jonathan E Fiencke

(51) **LOC (13) Cl.** **30-04**

(52) **U.S. Cl.**
USPC **D30/132**

(57) **CLAIM**

(58) **Field of Classification Search**
USPC D30/121-133; D23/202, 207, 209, 213,
D23/222, 225, 255-256, 272-273
CPC .. A01K 5/0114; A01K 5/0121; A01K 5/0135;
A01K 7/005; A01K 7/00; A01K 39/02;
F04B 23/00; F04B 23/02; Y10T
137/86035; Y10T 137/8376
See application file for complete search history.

The ornamental design for a pet water dispenser, as shown and described.

DESCRIPTION

(56) **References Cited**

FIG. 1 is a first perspective view of a pet water dispenser showing my new design;
FIG. 2 is a second perspective view thereof;
FIG. 3 is a front view thereof;
FIG. 4 is a back view thereof;
FIG. 5 is a left side view thereof;
FIG. 6 is a right side view thereof;
FIG. 7 is a top view thereof; and,
FIG. 8 is a bottom view thereof.

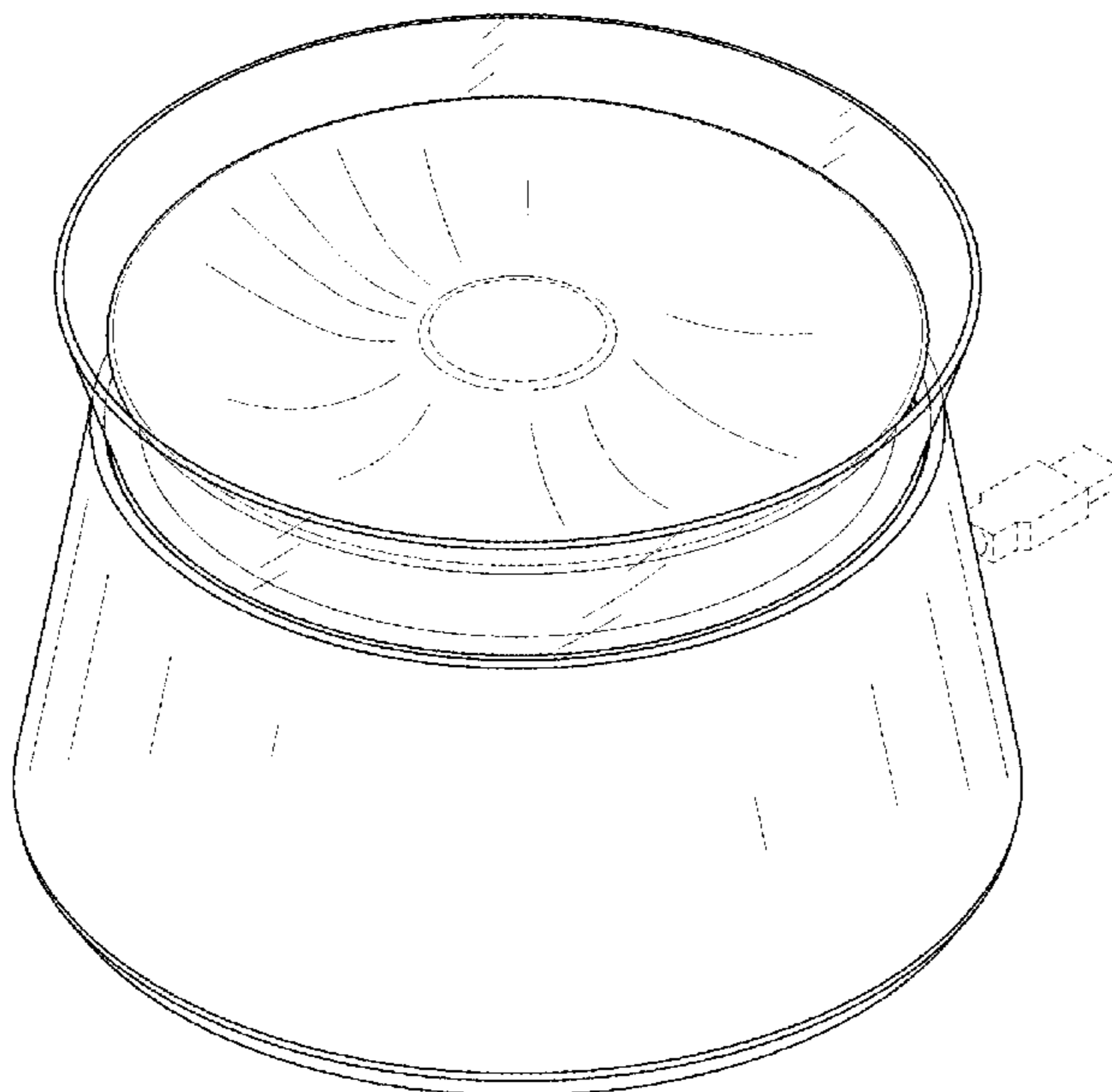
U.S. PATENT DOCUMENTS

6,363,885 B1 * 4/2002 Akins A01K 5/01
119/51.01
D648,492 S * 11/2011 Able D30/129
D681,886 S * 5/2013 Paschall D30/129
D735,420 S * 7/2015 Plant D30/121
D738,679 S * 9/2015 Renforth D7/396.6
D757,373 S * 5/2016 Breit D30/129
D824,602 S * 7/2018 Danenberg D30/121
D901,094 S * 11/2020 White B01D 35/027
D30/129

The broken lines shown in the drawings depict portions of the pet water dispenser in which the design is embodied that form no part of the claimed design.

The oblique shading lines in FIGS. 1-7 are included to denote the transparent quality of the surface planes on the pet water dispenser.

1 Claim, 8 Drawing Sheets



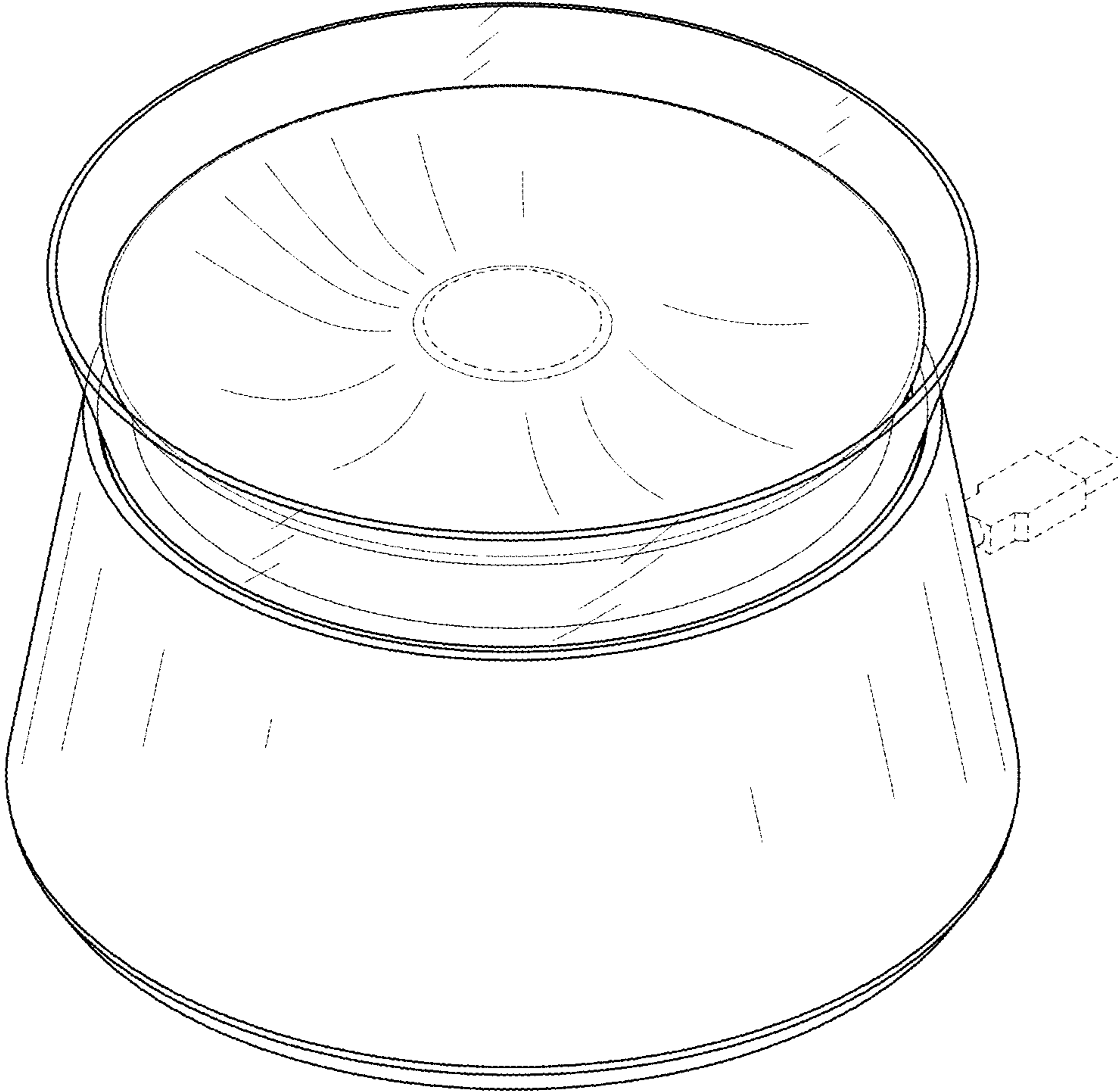


FIG. 1

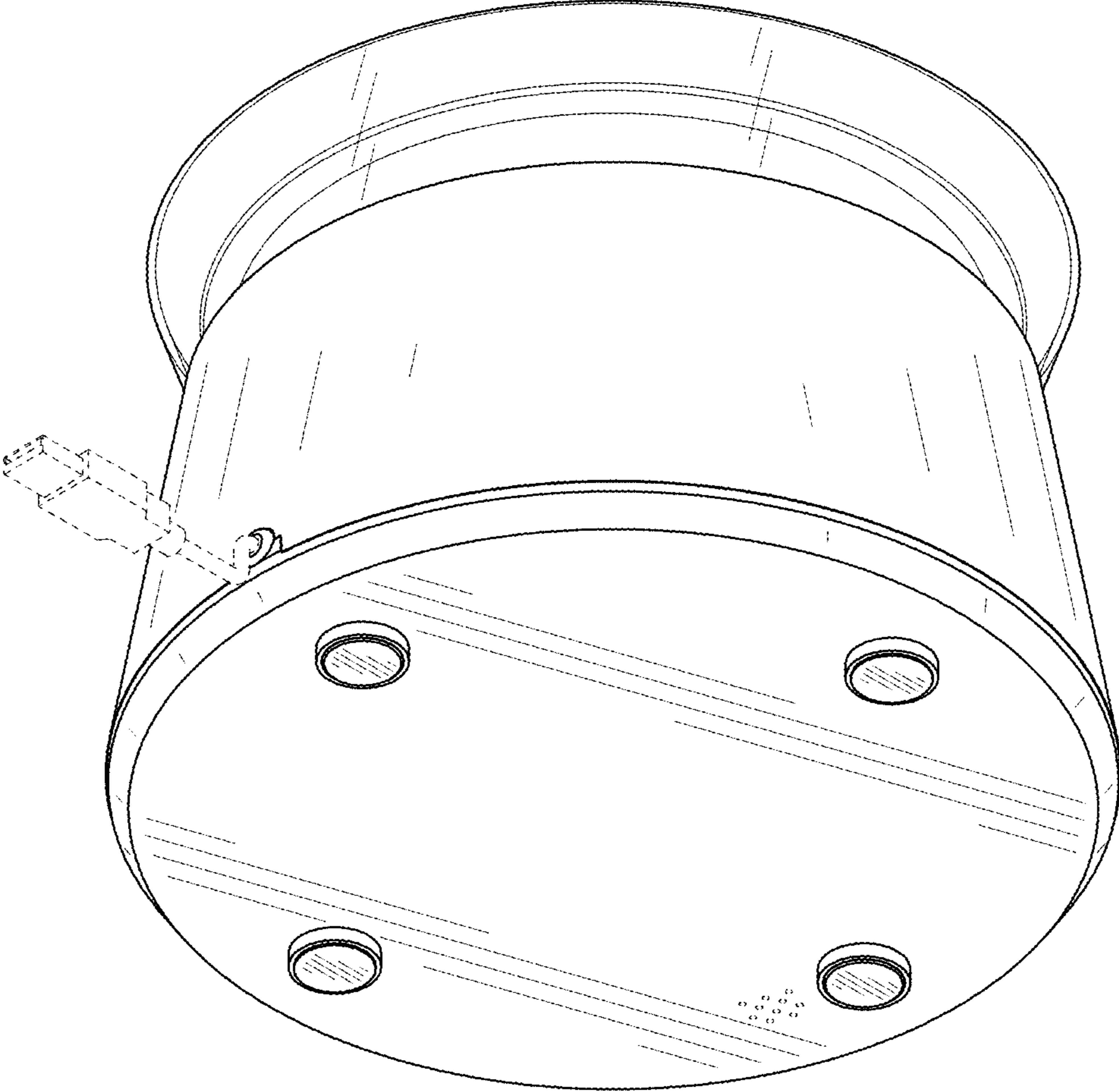


FIG. 2

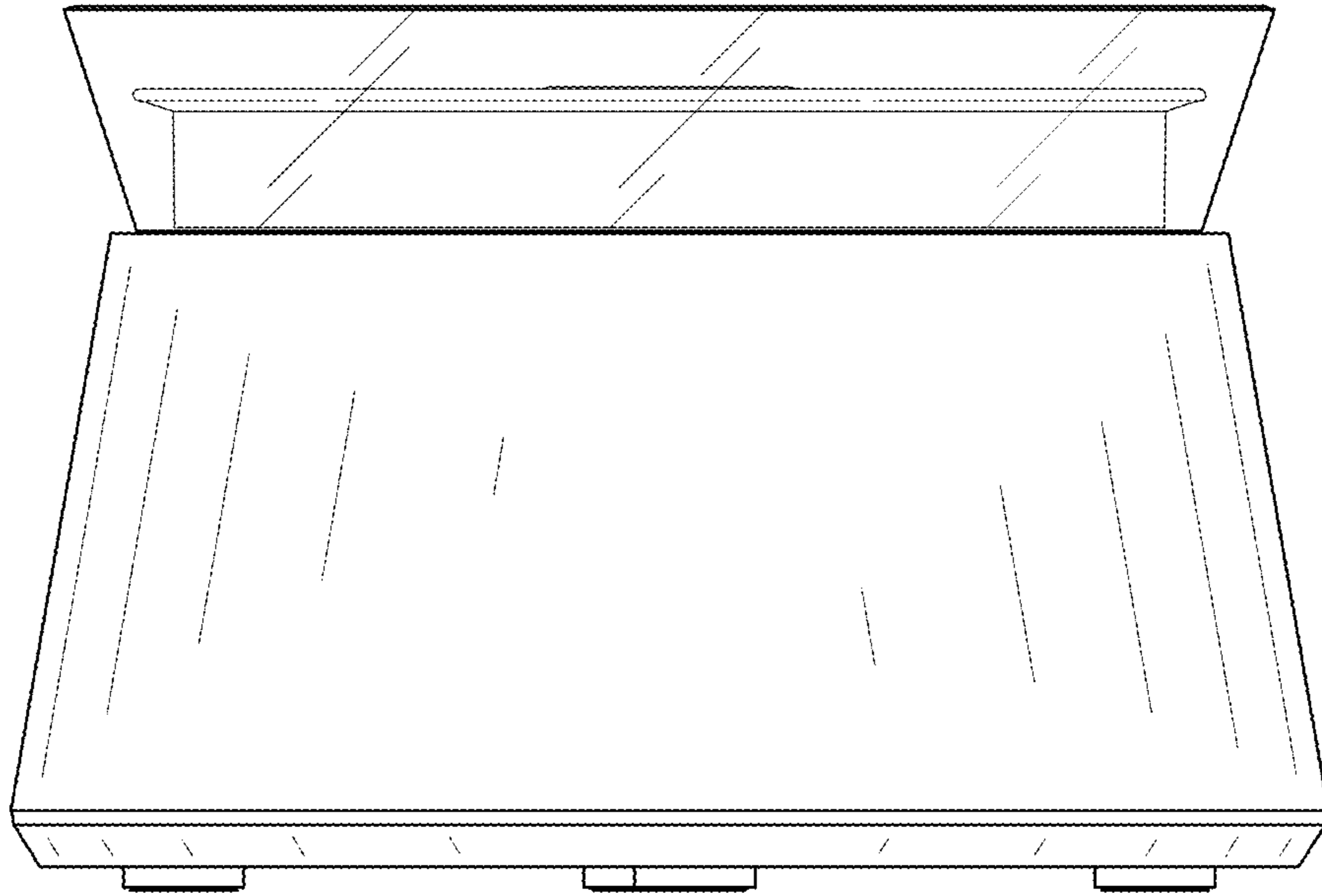


FIG. 3

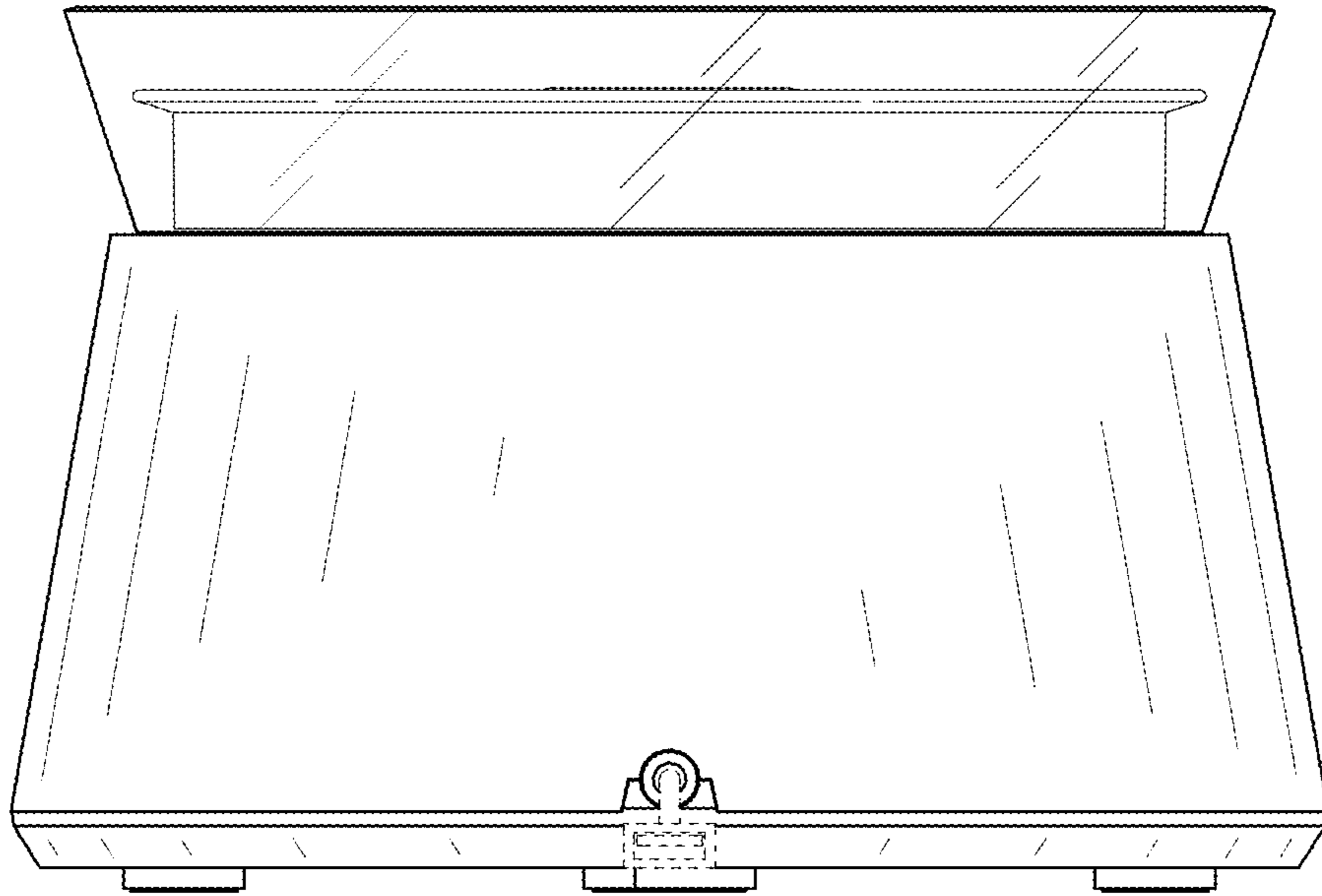


FIG. 4

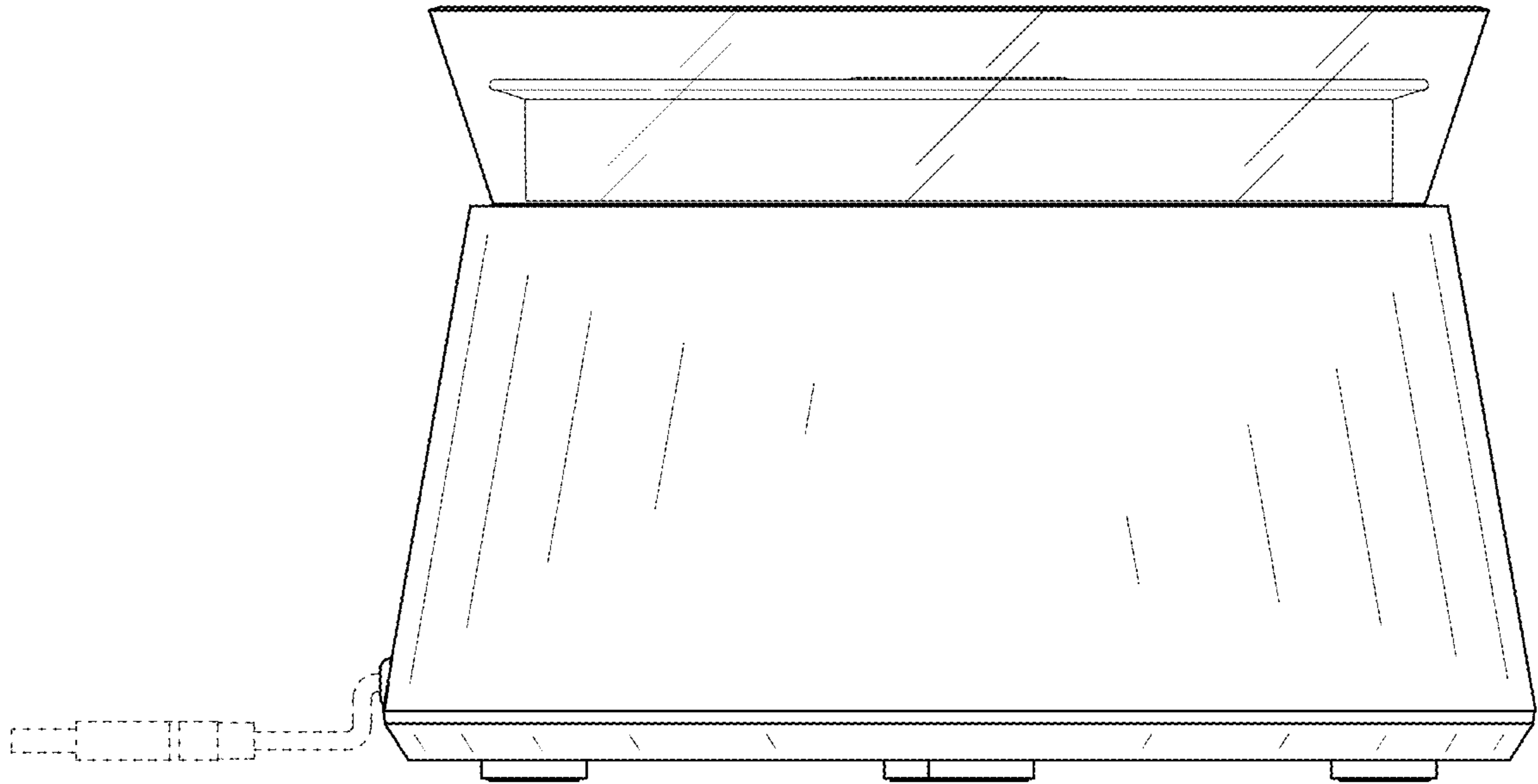


FIG. 5

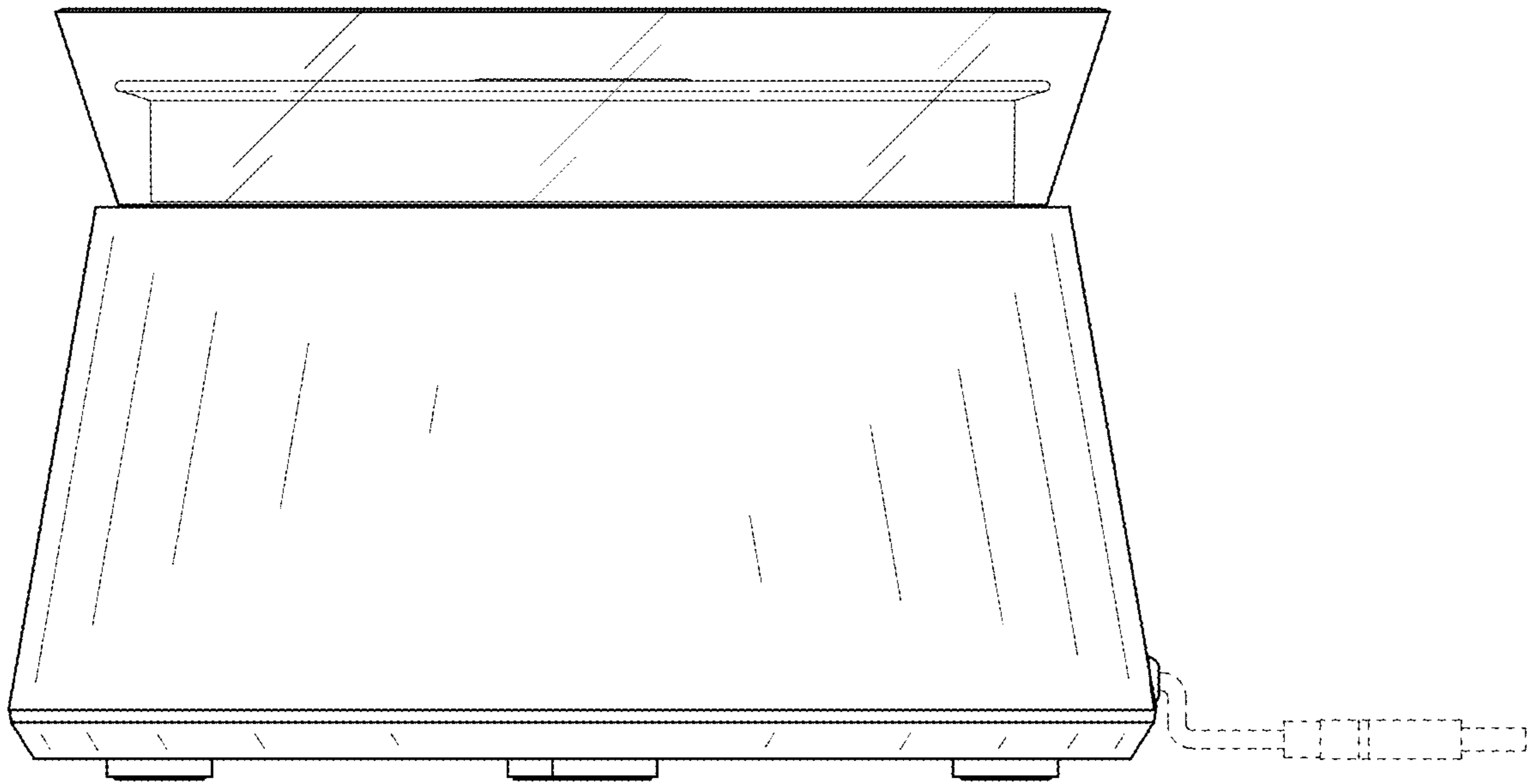


FIG. 6

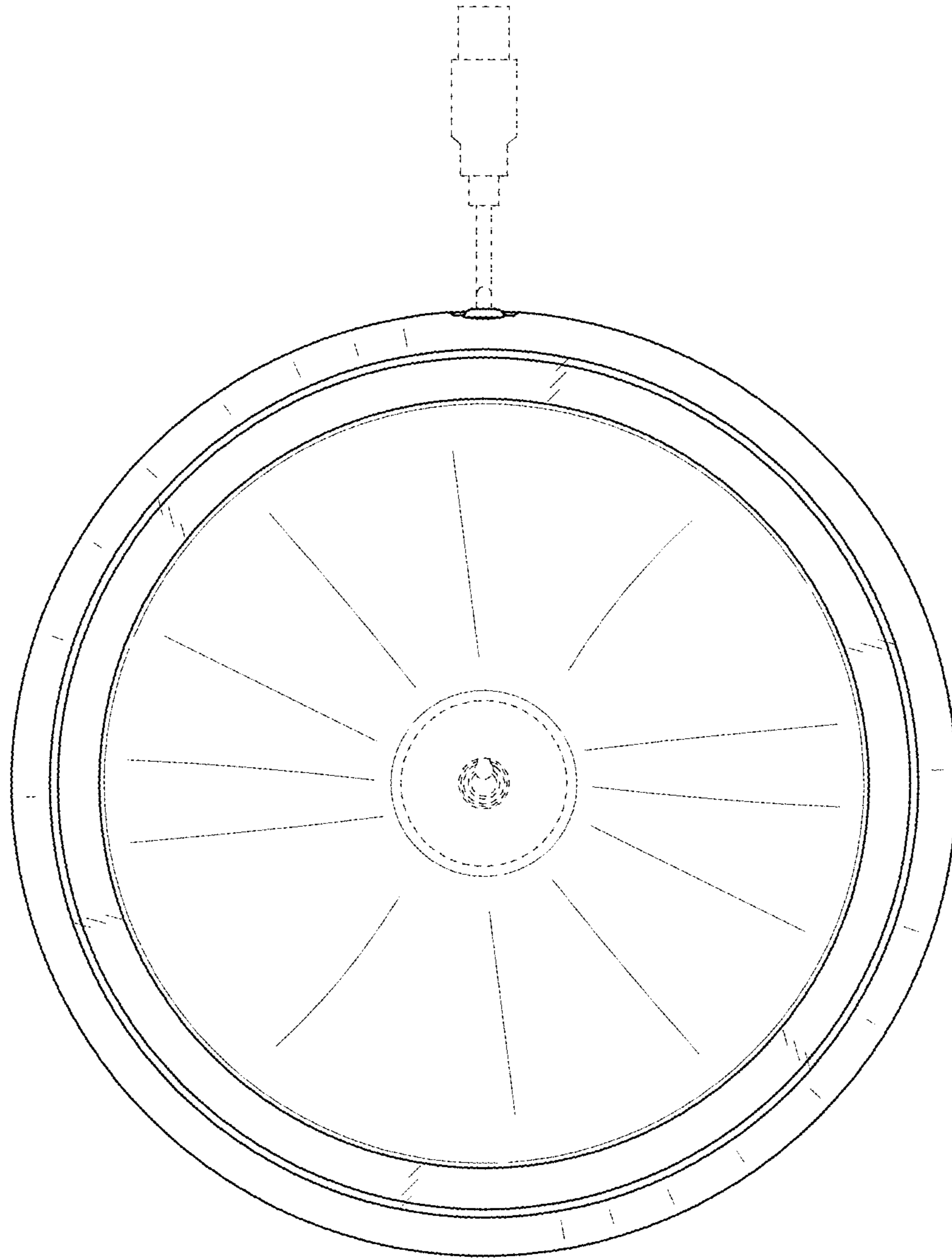


FIG. 7

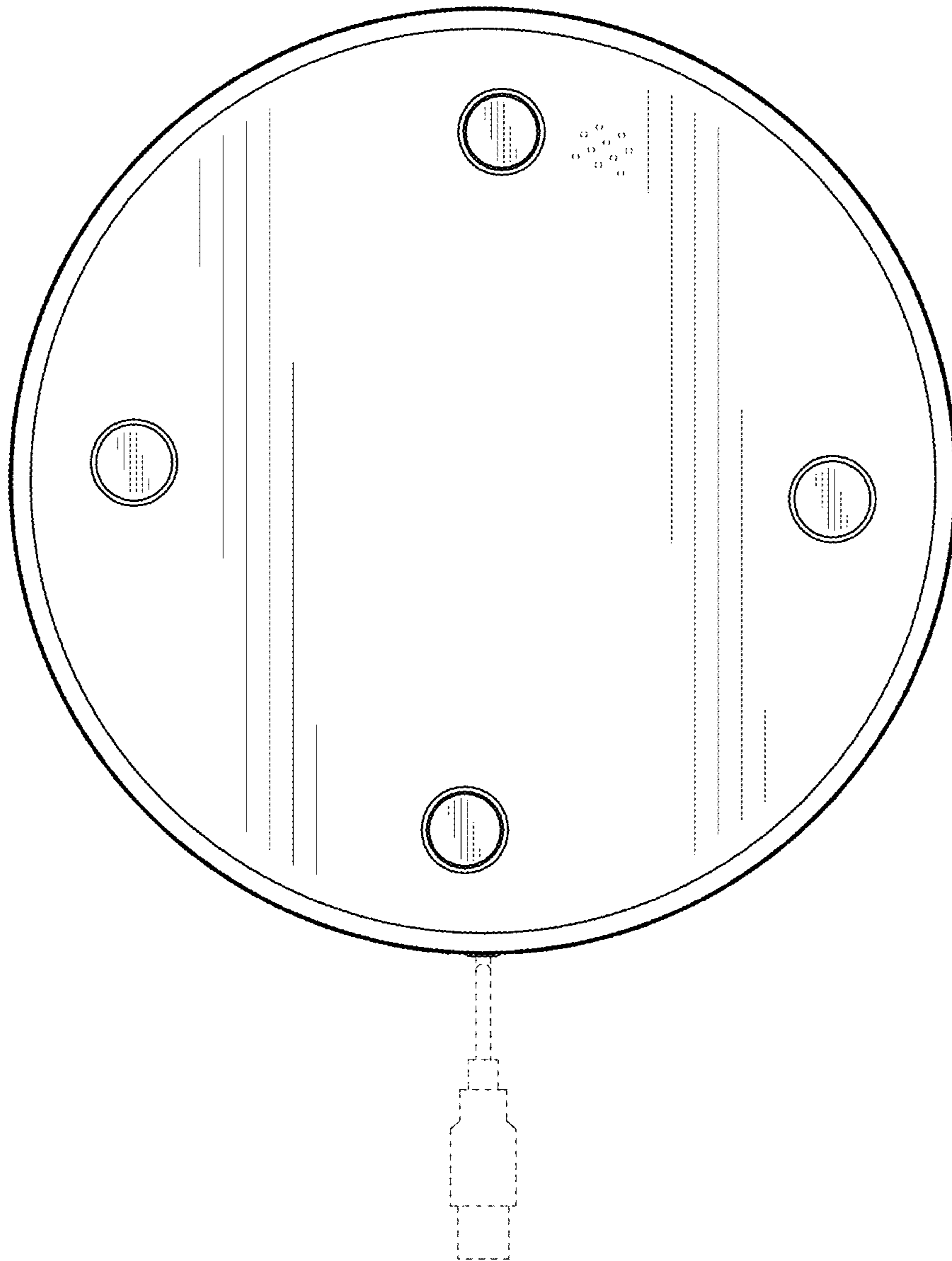


FIG. 8