



US00D942090S

(12) **United States Design Patent**  
**Paucar**

(10) **Patent No.:** **US D942,090 S**  
(45) **Date of Patent:** **\*\* Jan. 25, 2022**

(54) **SLOW-CONSUME ANIMAL FEEDING  
COUPLING CORNER INSERT**

(71) Applicant: **R.M. Innovation LLC**, Corland, OH  
(US)

(72) Inventor: **Raina Marie Paucar**, Corland, OH  
(US)

(\*\*) Term: **15 Years**

(21) Appl. No.: **29/725,990**

(22) Filed: **Feb. 28, 2020**

(51) **LOC (13) Cl.** ..... **30-07**

(52) **U.S. Cl.**  
USPC ..... **D30/121; D30/199**

(58) **Field of Classification Search**

USPC ..... D30/121, 122, 128-133, 199, 160, 155,  
D30/118; 119/61.5, 51.01, 61.56, 51.03,  
119/59, 62, 63, 51.5, 57.8, 74, 61.54,  
119/61.55, 712, 174, 215, 52.1, 53, 53.5,  
119/75, 51.02, 52.3, 57.9, 77, 707, 711;  
604/61-63; 221/270, 268; D8/1;  
220/23.87, 630, 737, 743, 9.4, 495.01,  
220/574, 212, 255, 23.83, 573.4, 574.3,  
220/769; D23/213, 214, 233; 47/79,  
47/48.5, 40.5, 44, 47, 39, 45; 239/280,  
239/530, 532, 569, 556; D7/700, 398;  
141/331, 345, 333, 334, 337, 391;  
138/155; D11/143, 144, 152, 127, 121,  
D11/125; 222/400.7; 137/322; 473/560;  
273/129 R, 144 R, 447; 294/54.5, 55,  
(Continued)

(56) **References Cited**

**U.S. PATENT DOCUMENTS**

75,673 A \* 3/1868 Gibson ..... A47J 37/10  
99/425  
472,316 A \* 4/1892 Smith ..... A01K 5/0135  
119/61.1

(Continued)

**OTHER PUBLICATIONS**

Feeding Choke-Prone Horses, Kristen M. Janicki, MS, PAS, Sep.  
24, 2018, 5 pages, internet.

(Continued)

*Primary Examiner* — Susan Moon Lee

(74) *Attorney, Agent, or Firm* — Loomis, Ewert, Parsley,  
Davis & Gotting P.C.; Mikhail Murshak

(57) **CLAIM**

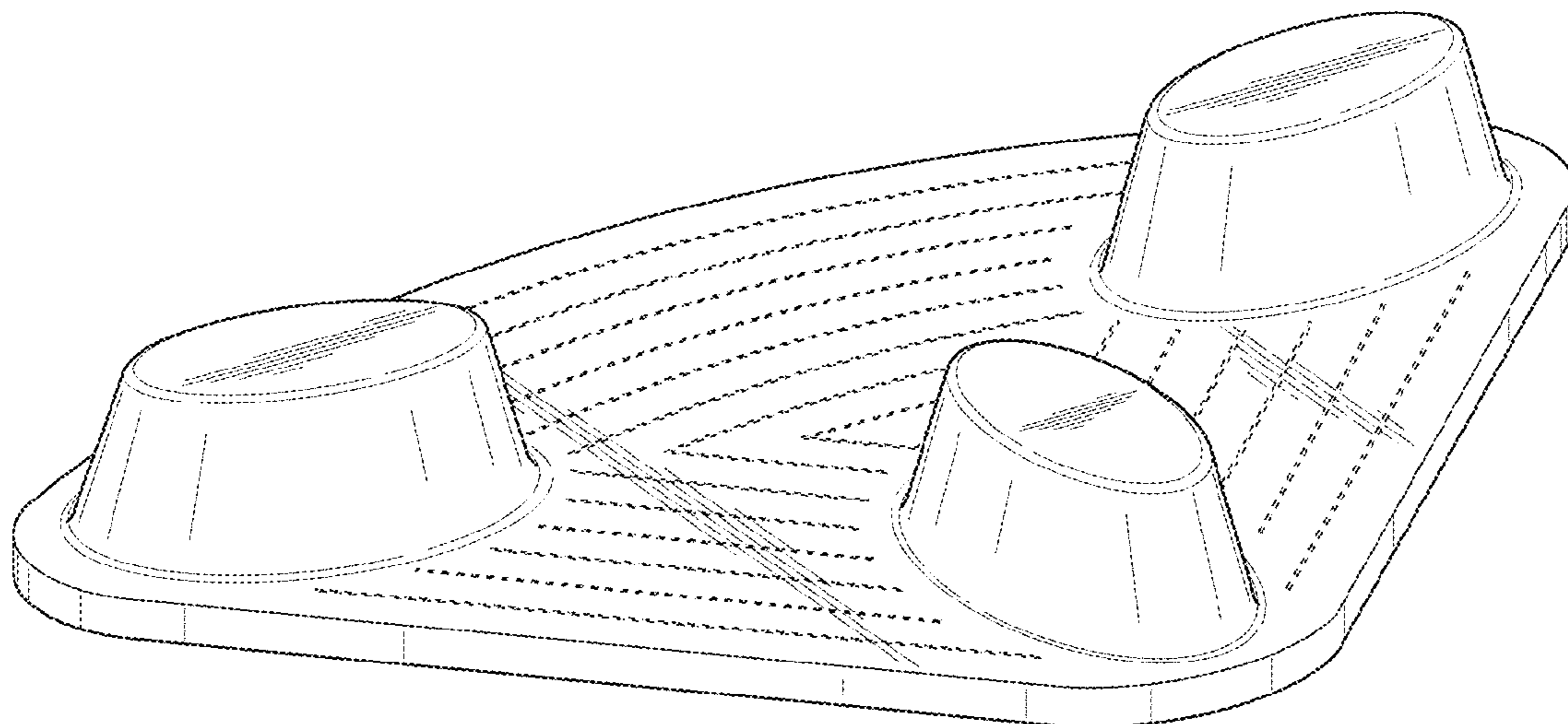
The ornamental design for a slow-consume animal feeding  
coupling corner insert, as shown and described.

**DESCRIPTION**

FIG. 1 is a perspective view of an animal feeding coupling  
corner insert in accordance with the present invention;  
FIG. 2 is a top view of the animal feeding coupling corner  
insert of FIG. 1;  
FIG. 3 is a front-side view of the animal feeding coupling  
corner insert of FIG. 1;  
FIG. 4 is a rear-side view of the animal feeding coupling  
corner insert of FIG. 1;  
FIG. 5 is a right-side view of the animal feeding coupling  
corner insert of FIG. 1;  
FIG. 6 is a left-side view of the animal feeding coupling  
corner insert of FIG. 1;  
FIG. 7 is a bottom view of the animal feeding coupling  
corner insert of FIG. 1; and,  
FIG. 8 is a perspective exploded view of the animal feeding  
coupling corner insert of FIG. 1 to fit in a feeding bowl  
shown in broken lines.

The broken lines shown in the Figures are for environmental  
purposes only and form no part of the claimed design.

**1 Claim, 4 Drawing Sheets**



(58) **Field of Classification Search**  
 USPC ..... 294/1.4, 137, 170; D21/791, 792, 459,  
 D21/656, 576, 577, 584, 585, 590, 595,  
 D21/362, 363, 350, 360, 334, 347, 338,  
 D21/340, 339, 343; 446/241; D34/21,  
 D34/24, 26, 17, 23, 12; D5/65, 99;  
 D10/104; D13/168  
 CPC ..... A01K 5/0114; A01K 5/00; A01K 5/01;  
 A01K 5/0107; A01K 5/0291; A01K  
 5/0135; A01K 7/00; A01K 7/005; A01K  
 1/0107; A01K 1/0157; F16N 31/002;  
 F16N 31/004; F16N 31/006  
 See application file for complete search history.

(56) **References Cited**  
 U.S. PATENT DOCUMENTS

495,872 A \* 4/1893 Ball ..... B29C 33/302  
 249/117  
 1,002,509 A \* 9/1911 Fitz ..... A61J 19/00  
 4/258  
 2,097,356 A \* 10/1937 Truesdale ..... A21B 3/132  
 249/122  
 2,537,915 A \* 1/1951 Roop ..... F25C 1/243  
 249/122  
 2,554,086 A \* 5/1951 Block ..... A01K 5/0135  
 119/51.5  
 D191,058 S \* 8/1961 Jones ..... D7/584  
 D221,099 S \* 7/1971 Alparone ..... D7/584  
 3,683,938 A \* 8/1972 Rowland ..... A24F 19/0028  
 131/240.1  
 3,829,096 A \* 8/1974 Gioia ..... A63F 7/386  
 273/110  
 3,838,772 A \* 10/1974 Lang ..... B65D 21/0233  
 206/520  
 3,883,037 A \* 5/1975 Seiller ..... A47F 7/021  
 206/5  
 3,958,504 A \* 5/1976 Levin ..... A47J 36/022  
 99/426  
 D241,109 S \* 8/1976 Levin ..... D7/359  
 D246,627 S \* 12/1977 Sugiyama ..... D7/359  
 4,085,706 A \* 4/1978 Evans ..... A01K 5/0114  
 119/61.54  
 4,127,189 A \* 11/1978 Shumrak ..... B65D 1/34  
 206/520  
 D267,221 S \* 12/1982 Williams ..... 426/523  
 D274,781 S \* 7/1984 Baker ..... D7/359  
 4,464,405 A \* 8/1984 De Christopher ..... A21B 3/13  
 425/395  
 D283,496 S \* 4/1986 Pisarkiewicz ..... D11/164  
 D296,020 S \* 5/1988 McCarroll ..... D30/130  
 D304,536 S \* 11/1989 Blaser ..... D7/584  
 5,094,032 A \* 3/1992 Byland ..... A01G 9/021  
 47/71  
 D399,787 S \* 10/1998 Wagner ..... D11/164  
 D418,367 S \* 1/2000 Thomas ..... D7/504  
 6,539,893 B1 \* 4/2003 Otto-Lubker ..... A01K 39/0125  
 119/61.5  
 D477,171 S \* 7/2003 Gabbour ..... D6/582  
 D485,208 S \* 1/2004 Fan ..... D11/143  
 D485,784 S \* 1/2004 Fan ..... D11/143  
 D490,745 S \* 6/2004 Fan ..... D11/143  
 D497,077 S \* 10/2004 de Groote ..... D7/357  
 D531,081 S \* 10/2006 Fan ..... D11/143  
 7,207,291 B1 \* 4/2007 Watts ..... A01K 5/0114  
 119/61.5  
 D563,608 S \* 3/2008 Kitchen ..... A01K 5/0114  
 D30/129  
 D576,735 S \* 9/2008 Strickler ..... D23/261  
 D587,970 S \* 3/2009 Zack ..... D7/541  
 D590,109 S \* 4/2009 Anderson ..... D30/129  
 D600,861 S \* 9/2009 Sin ..... D30/129  
 D618,970 S \* 7/2010 Quinn ..... D7/669

7,753,000 B1 \* 7/2010 Turner ..... A01K 5/01  
 119/61.2  
 D623,806 S \* 9/2010 Modi ..... D30/129  
 7,895,975 B2 \* 3/2011 Markham ..... A01K 5/0135  
 119/61.5  
 D636,944 S \* 4/2011 Anderson ..... D30/129  
 D645,274 S \* 9/2011 Terada ..... D6/682.6  
 D648,904 S \* 11/2011 Tedaldi ..... A01K 1/0135  
 D30/129  
 D651,048 S \* 12/2011 Gold ..... D7/553.6  
 8,082,882 B1 \* 12/2011 Tharp ..... A01K 5/01  
 119/60  
 D654,230 S \* 2/2012 Tedaldi ..... D30/129  
 8,381,684 B2 \* 2/2013 Crawford ..... A01K 5/0114  
 119/61.5  
 D681,886 S \* 5/2013 Paschall ..... D30/129  
 D682,481 S \* 5/2013 Krueger ..... D30/124  
 D698,095 S \* 1/2014 Paculdo ..... D30/121  
 D698,096 S \* 1/2014 Paculdo ..... D30/121  
 D699,009 S \* 2/2014 Hansen ..... D30/121  
 D700,407 S \* 2/2014 Paschall ..... D30/129  
 8,651,055 B2 \* 2/2014 Dreger ..... A01K 5/0135  
 119/61.5  
 D701,732 S \* 4/2014 Ehrenhaus ..... D7/539  
 D705,999 S \* 5/2014 Hansen ..... D30/121  
 D706,000 S \* 5/2014 Martinez ..... D30/121  
 D706,001 S \* 5/2014 Hansen ..... D30/121  
 D706,493 S \* 6/2014 Hansen ..... D30/121  
 D706,494 S \* 6/2014 Hansen ..... D30/121  
 D706,495 S \* 6/2014 Hansen ..... D30/121  
 D717,006 S \* 11/2014 Alfonso ..... D30/129  
 8,887,665 B2 \* 11/2014 Rucker ..... A01K 5/0114  
 119/61.2  
 8,899,180 B2 \* 12/2014 Lindskov ..... A01K 5/0114  
 119/61.1  
 8,919,288 B2 \* 12/2014 Ressemann ..... A61D 5/00  
 119/61.5  
 D731,262 S \* 6/2015 Zila ..... D7/672  
 D731,263 S \* 6/2015 Zila ..... D7/672  
 D732,421 S \* 6/2015 Cordova ..... D11/164  
 D741,024 S \* 10/2015 Liu ..... D30/129  
 RE45,837 E \* 1/2016 Krueger ..... D30/124  
 D747,131 S \* 1/2016 Takayama ..... D7/352  
 9,241,777 B2 \* 1/2016 Ressemann ..... A01K 13/00  
 D762,017 S \* 7/2016 Tsengas ..... A01K 5/0114  
 D30/129  
 9,402,370 B2 \* 8/2016 Lindskov ..... A01K 5/0114  
 D769,546 S \* 10/2016 Hansen ..... D30/121  
 9,545,081 B2 \* 1/2017 Nolan ..... A01K 15/02  
 D782,749 S \* 3/2017 Michizoe ..... D30/129  
 9,717,215 B2 \* 8/2017 Hsu ..... A01K 5/0114  
 D800,516 S \* 10/2017 Koch ..... D7/667  
 D804,237 S \* 12/2017 Takayama ..... D7/359  
 D819,278 S \* 5/2018 Watanabe ..... D30/129  
 D830,097 S \* 10/2018 Takayama ..... D7/352  
 D833,086 S \* 11/2018 Hansen ..... D30/121  
 10,149,455 B2 \* 12/2018 Tharp ..... A01K 5/01  
 10,172,323 B2 \* 1/2019 Glinsky ..... A01K 5/0275  
 D847,222 S \* 4/2019 Todirca ..... D15/90  
 D852,237 S \* 6/2019 Helton ..... D15/90  
 D852,854 S \* 7/2019 Helton ..... D15/90  
 D856,604 S \* 8/2019 Peart ..... D30/129  
 D857,307 S \* 8/2019 Miyawaki ..... D30/129  
 D861,995 S \* 10/2019 Lentz ..... D30/121  
 D874,071 S \* 1/2020 Gevaert ..... D30/129  
 D882,880 S \* 4/2020 Levin ..... D30/121  
 D885,687 S \* 5/2020 Daymont ..... D30/129  
 D895,216 S \* 9/2020 Becattini, Jr. .... D30/129  
 D895,906 S \* 9/2020 Becattini, Jr. .... D30/129  
 D897,050 S \* 9/2020 Wang ..... D30/121  
 10,791,710 B1 \* 10/2020 White ..... A01K 5/0114  
 D901,094 S \* 11/2020 White ..... D30/129  
 D902,500 S \* 11/2020 Glinsky ..... D30/129  
 D903,208 S \* 11/2020 Hu ..... D30/129  
 D903,951 S \* 12/2020 Hu ..... D30/129  
 D904,695 S \* 12/2020 Becattini, Jr. .... D30/129  
 D907,308 S \* 1/2021 Becattini, Jr. .... D30/130  
 D908,978 S \* 1/2021 Wu ..... D30/130

(56)

References Cited

U.S. PATENT DOCUMENTS

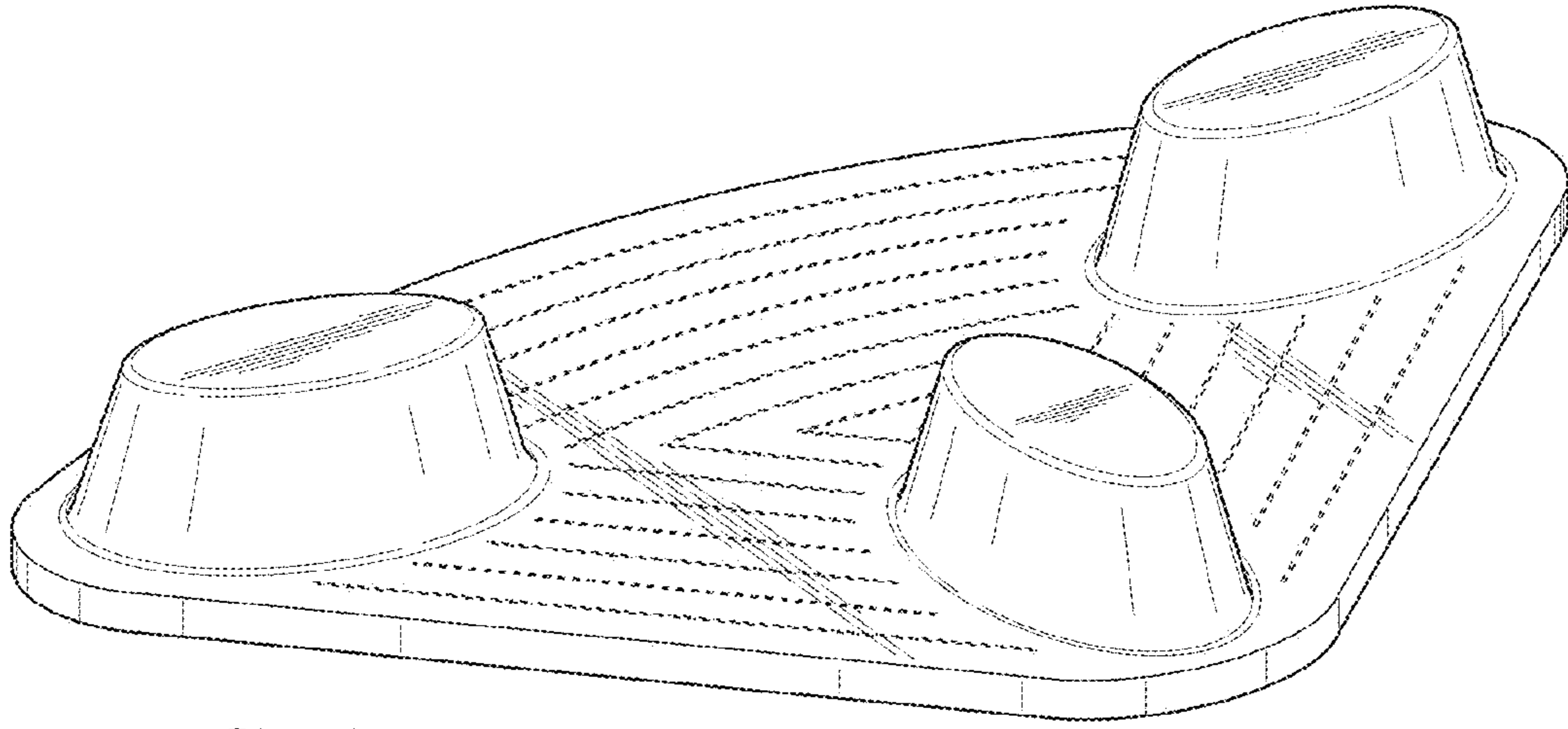
D910,932 S \* 2/2021 Hu ..... D30/129  
 D914,996 S \* 3/2021 Xie ..... D30/121  
 D915,000 S \* 3/2021 Huang ..... D30/130  
 D915,686 S \* 4/2021 Becattini, Jr. .... D30/129  
 D918,486 S \* 5/2021 Becattini, Jr. .... D30/129  
 D918,487 S \* 5/2021 Becattini, Jr. .... D30/129  
 D919,194 S \* 5/2021 Becattini, Jr. .... D30/129  
 11,071,278 B2 \* 7/2021 Bruggink ..... A01K 5/01  
 2002/0017056 A1 \* 2/2002 Fan ..... A01G 9/04  
 47/66.6  
 2002/0185073 A1 \* 12/2002 Fullerton ..... A01K 15/02  
 119/51.01  
 2004/0200845 A1 \* 10/2004 Watzke ..... B65D 81/32  
 220/501  
 2005/0039689 A1 \* 2/2005 Mossmer ..... A01K 5/0128  
 119/61.5  
 2005/0039690 A1 \* 2/2005 Sage ..... A01K 7/00  
 119/61.5  
 2005/0127074 A1 \* 6/2005 Kusuma ..... B65D 21/086  
 220/6  
 2006/0005774 A1 \* 1/2006 Newman Bornhofen .....  
 A01K 5/0135  
 119/61.5  
 2006/0213447 A1 \* 9/2006 Kitchen ..... A01K 5/0114  
 119/61.5  
 2008/0053374 A1 \* 3/2008 Kerrigan ..... A01K 5/0114  
 119/51.03  
 2008/0072829 A1 \* 3/2008 Kerrigan ..... A01K 5/0114  
 119/61.5  
 2008/0141945 A1 \* 6/2008 Markham ..... A01K 5/0114  
 119/61.5  
 2009/0025644 A1 \* 1/2009 Ebert ..... A01K 5/0114  
 119/61.5  
 2009/0126641 A1 \* 5/2009 Anderson ..... A01K 5/0114  
 119/61.5

2010/0012042 A1 \* 1/2010 Lee ..... A01K 7/00  
 119/61.5  
 2012/0090549 A1 \* 4/2012 Tharp ..... A01K 5/01  
 119/51.5  
 2012/0174874 A1 \* 7/2012 Ottosson ..... A01K 15/025  
 119/707  
 2013/0125823 A1 \* 5/2013 Simon ..... A01K 5/0114  
 119/61.5  
 2013/0129890 A1 \* 5/2013 Cox ..... A47J 37/01  
 426/496  
 2013/0228128 A1 \* 9/2013 Schehr ..... A01K 5/0135  
 119/61.5  
 2014/0060442 A1 \* 3/2014 Ressemann ..... A01K 13/00  
 119/61.5  
 2014/0158054 A1 \* 6/2014 Clarke ..... A01K 5/00  
 119/51.01  
 2015/0068461 A1 \* 3/2015 Lindskov ..... A01K 5/00  
 119/51.01  
 2016/0073805 A1 \* 3/2016 Laurain ..... A47G 19/10  
 220/575  
 2016/0242385 A1 \* 8/2016 Parness ..... F16M 11/36  
 2016/0255813 A1 \* 9/2016 Wolfe, Jr. .... A01K 5/00  
 2017/0055491 A1 \* 3/2017 Hsu ..... A01K 5/0114  
 2017/0112092 A1 \* 4/2017 Simon ..... A01K 5/0114  
 2017/0112093 A1 \* 4/2017 Glinsky ..... A01K 5/0291  
 2017/0348082 A1 \* 12/2017 Ogleby ..... A01K 15/026  
 2018/0133991 A1 \* 5/2018 Tsengas ..... A01K 7/00  
 2018/0359991 A1 \* 12/2018 Levin ..... A01K 5/00  
 2018/0368357 A1 \* 12/2018 Yang ..... A01K 5/0114  
 2019/0281788 A1 \* 9/2019 Becattini, Jr. .... A01K 5/0114  
 2019/0380302 A1 \* 12/2019 Northrop ..... A01K 5/0114

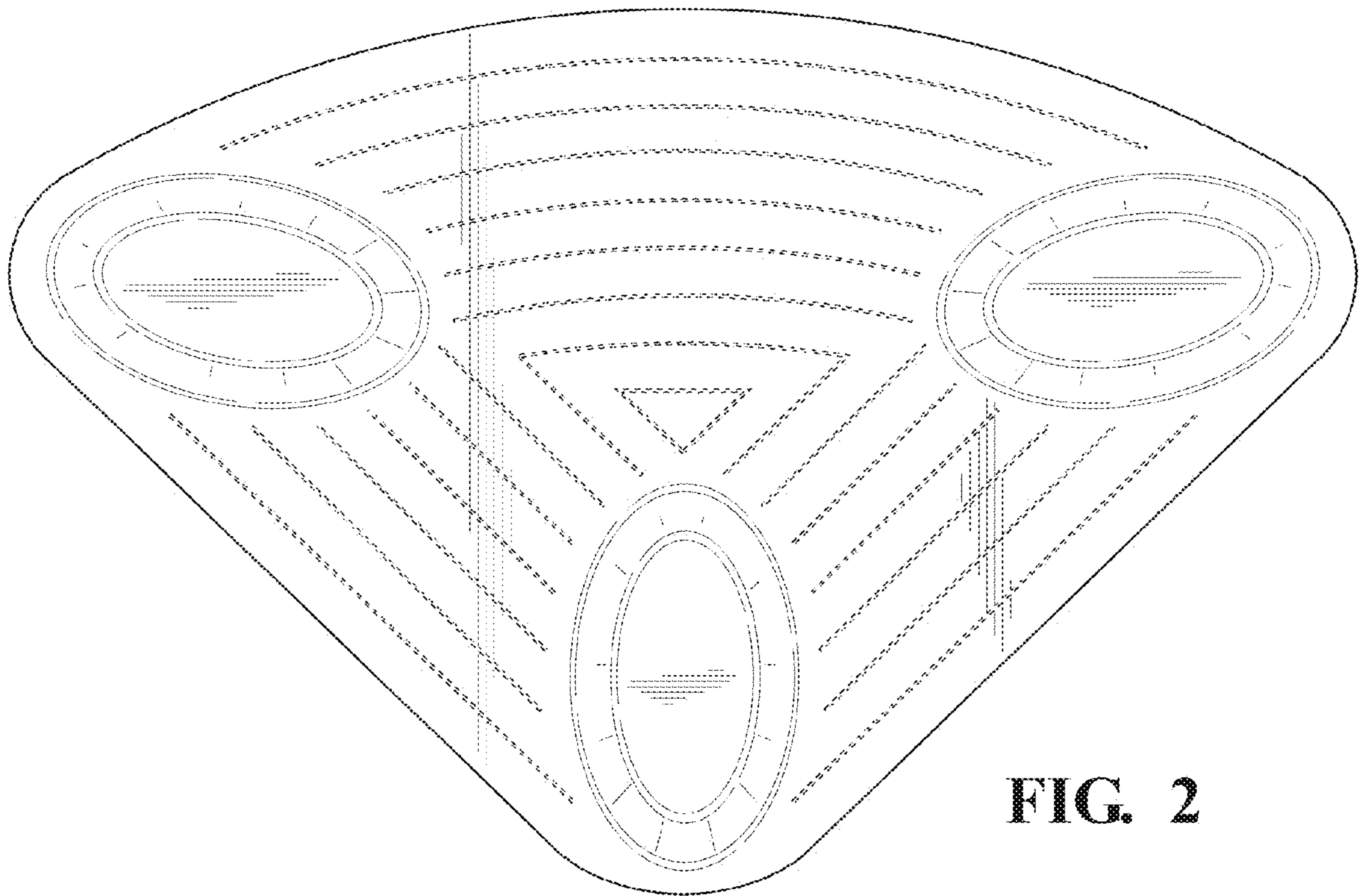
OTHER PUBLICATIONS

Feedsmart Troughs, Gough Plastics, Sep. 3, 2020, 3 pages, internet.  
 Vacuvita Vacuum Food Storage System Review, The Gadgeteer,  
 Julie Strietelmeier, May 10, 2017, 26 pages, internet.

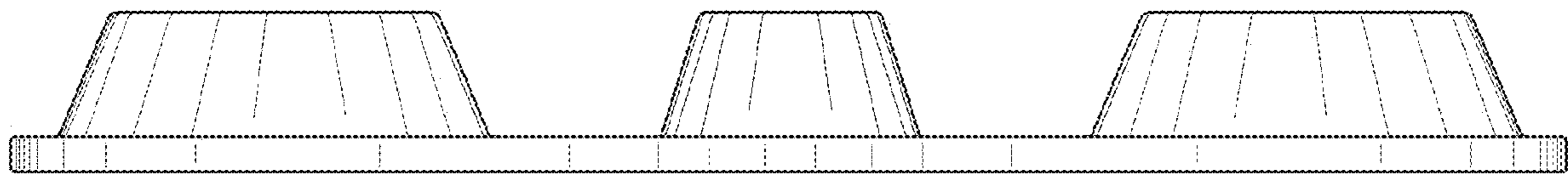
\* cited by examiner



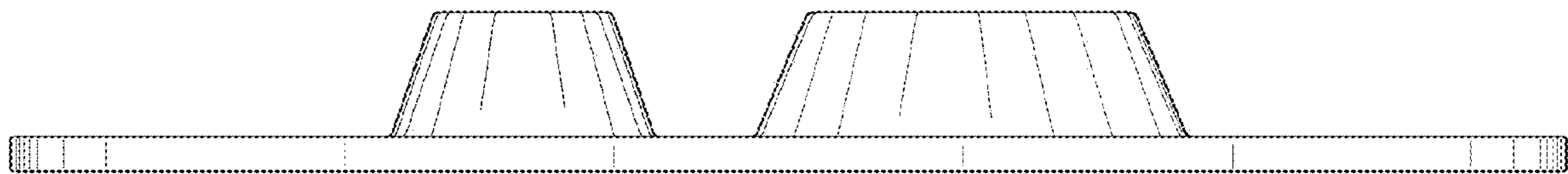
**FIG. 1**



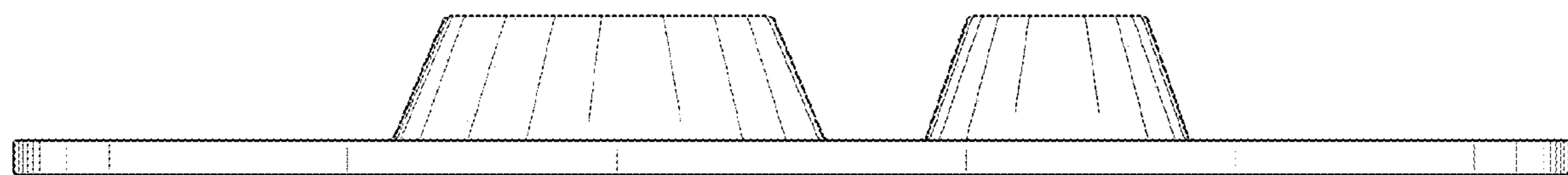
**FIG. 2**



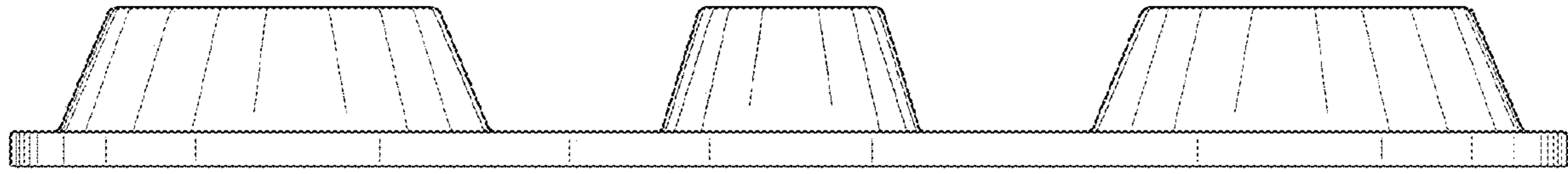
**FIG. 3**



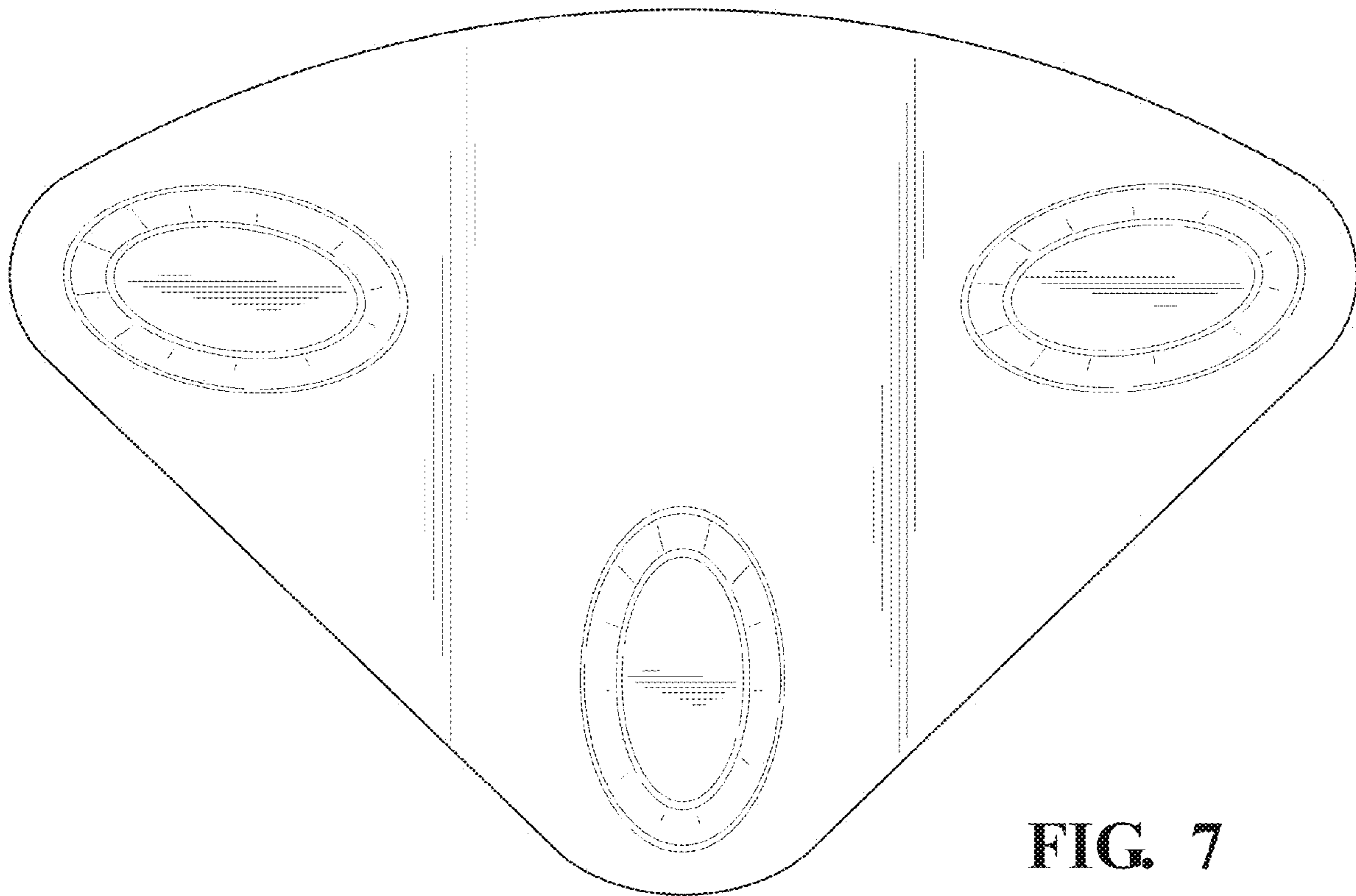
**FIG. 4**



**FIG. 5**



**FIG. 6**



**FIG. 7**

**FIG. 8**

