



US00D942087S

(12) **United States Design Patent**
Choi et al.

(10) **Patent No.:** **US D942,087 S**

(45) **Date of Patent:** **** *Jan. 25, 2022**

(54) **COSMETIC COMPACT**

(71) Applicant: **ELC MANAGEMENT LLC**, Melville, NY (US)

(72) Inventors: **Hyung Jin Choi**, New York, NY (US);
Arthur de Grandpré, Mt. Vernon, NY (US);
Laura Otani, New York, NY (US)

(73) Assignee: **ELC Management LLC**, Melville, NY (US)

(*) Notice: This patent is subject to a terminal disclaimer.

(**) Term: **15 Years**

(21) Appl. No.: **29/739,605**

(22) Filed: **Jun. 26, 2020**

(51) **LOC (13) Cl.** **28-03**

(52) **U.S. Cl.**
USPC **D28/83**

(58) **Field of Classification Search**
USPC D28/76-84, 64.1; D9/430-432, 420, 425,
D9/426, 503-506; D3/295, 294, 273,
D3/274, 275
CPC .. A45D 33/006; A45D 33/003; A45D 33/025;
A45D 33/34; A45D 40/22; A45D 40/222;
A45D 40/223; A45D 40/114; A45D 40/24
See application file for complete search history.

(56) **References Cited**

U.S. PATENT DOCUMENTS

5,638,838	A	6/1997	Lombardi	
D401,017	S *	11/1998	Thorpe	D28/78
D428,210	S *	7/2000	Gavin	D28/83
D456,954	S *	5/2002	Restrepo	D28/83
D462,809	S *	9/2002	LaSpina	D28/78
D478,397	S *	8/2003	Bakic	D28/83
D491,315	S *	6/2004	Dittmer	D28/83

D504,743	S *	5/2005	Kostow	D28/78
D553,799	S *	10/2007	Williams	D28/83
D579,153	S	10/2008	Lee	
D627,519	S *	11/2010	DeMarco	D28/83
D655,045	S *	2/2012	Paschoal	D28/83
D655,865	S *	3/2012	Villarreal	D28/83
D730,581	S *	5/2015	Hwang	D28/83

(Continued)

OTHER PUBLICATIONS

Refillable Makeup Compact By: Make up for Ever found on line May 21, 2021 https://www.google.com/shopping/product/9981187547004079174?q=rectangular+cosmetic+compact&safe=active&ifsig= Sep. 20, 2022.*

(Continued)

Primary Examiner — Marissa J Cash

Assistant Examiner — Rebecca Tsehaye

(74) *Attorney, Agent, or Firm* — Yonggang Wu; Sony P. Rajan

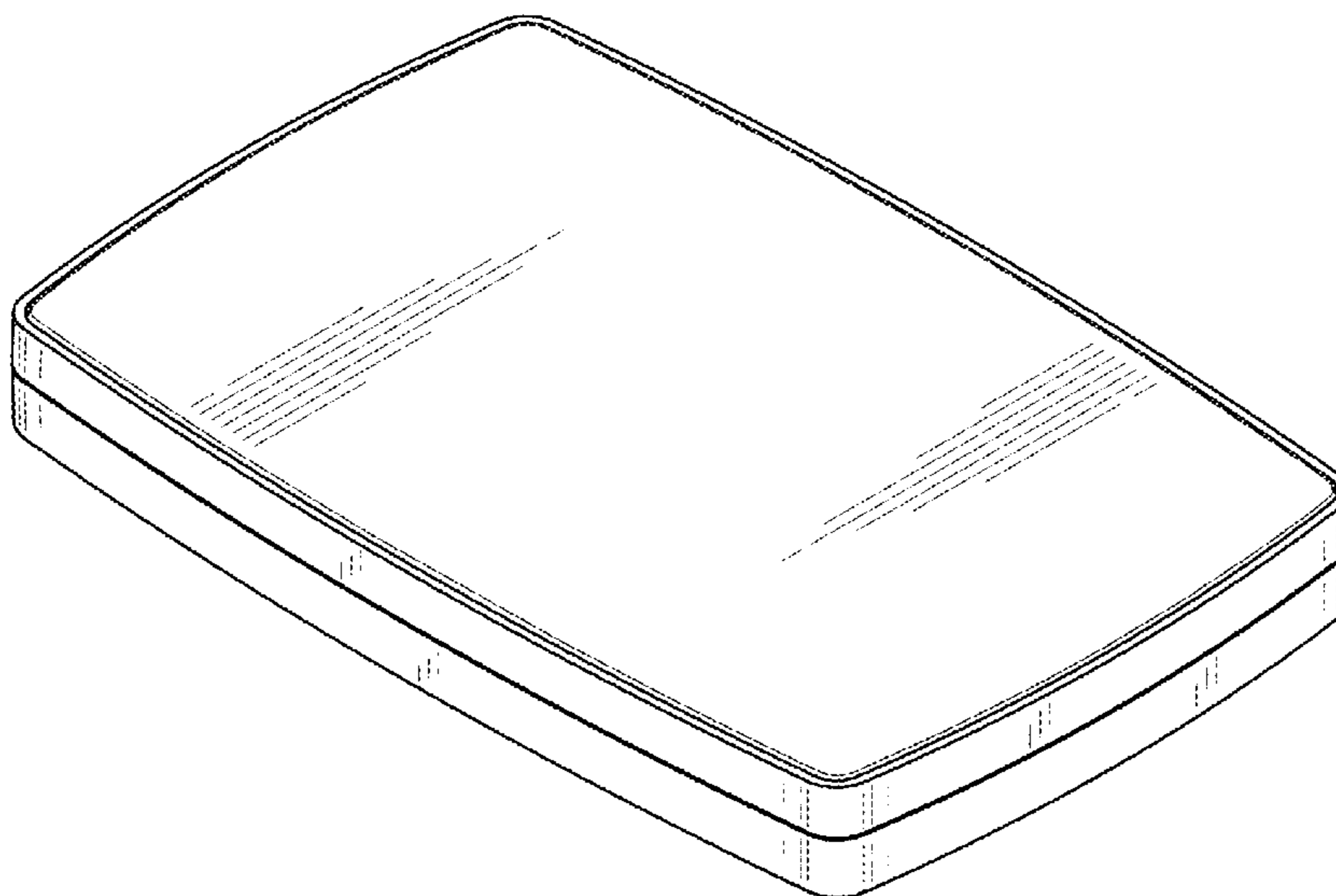
(57) **CLAIM**

The ornamental design for a cosmetic compact, as shown and described.

DESCRIPTION

FIG. 1 is a top front perspective view of a cosmetic compact showing the claimed design;
FIG. 2 is a bottom perspective view thereof;
FIG. 3 is a front view thereof;
FIG. 4 is a rear view thereof;
FIG. 5 is a left view thereof;
FIG. 6 is a right view thereof;
FIG. 7 is a top view thereof;
FIG. 8 is a bottom view thereof; and,
FIG. 9 is a top front perspective view of the cosmetic compact of FIG. 1 in an open configuration.
The broken lines in the figures show portions of the cosmetic compact that form no part of the claimed design.

1 Claim, 7 Drawing Sheets



(56)

References Cited

U.S. PATENT DOCUMENTS

D736,468 S * 8/2015 Goswell D28/83
D752,813 S 3/2016 Villarreal et al.
D753,882 S * 4/2016 Chertoff D28/83
D821,034 S * 6/2018 Langdon D28/83
D835,350 S * 12/2018 Weinrich D28/83
D845,551 S * 4/2019 Weinrich D28/83
D861,991 S 10/2019 Liston
D880,071 S * 3/2020 Weinrich D28/83
D882,262 S * 4/2020 Zhang D3/294
D884,974 S * 5/2020 Kim D28/83

OTHER PUBLICATIONS

Cosmetic Compact By: Sister Cosmetics Packaging Co. Ltd. found online Apr. 19, 2020 <https://www.sisterpackaging.com/product/2020-empty-cosmetic-compact/?portfolioCats=30> (2020).

Silver Powder Cosmetic Compact By: DartSilver LTD found online Apr. 26, 2021 <https://dartsilverltd.co.uk/product/silver-powder-cosmetic-compact-polish-krupski-matulewicz-c-1930s/>.

Square Cushion Compact By: Toly found online May 21, 2021 <https://www.toly.com/news/12359407/tolys-luxurious-magnetic-soft-square-cushion-compact/>.

Taiwanese search report from counterpart TW application 109307249.

Taiwanese search report from counterpart TW application 109307250.

Taiwanese search report from counterpart TW application 109307252.

Taiwanese search report from counterpart TW application 109307253.

U.S. Appl. No. 29/739,596, filed Jun. 26, 2020, Choi et al.

U.S. Appl. No. 29/739,600, filed Jun. 26, 2020, Choi et al.

* cited by examiner

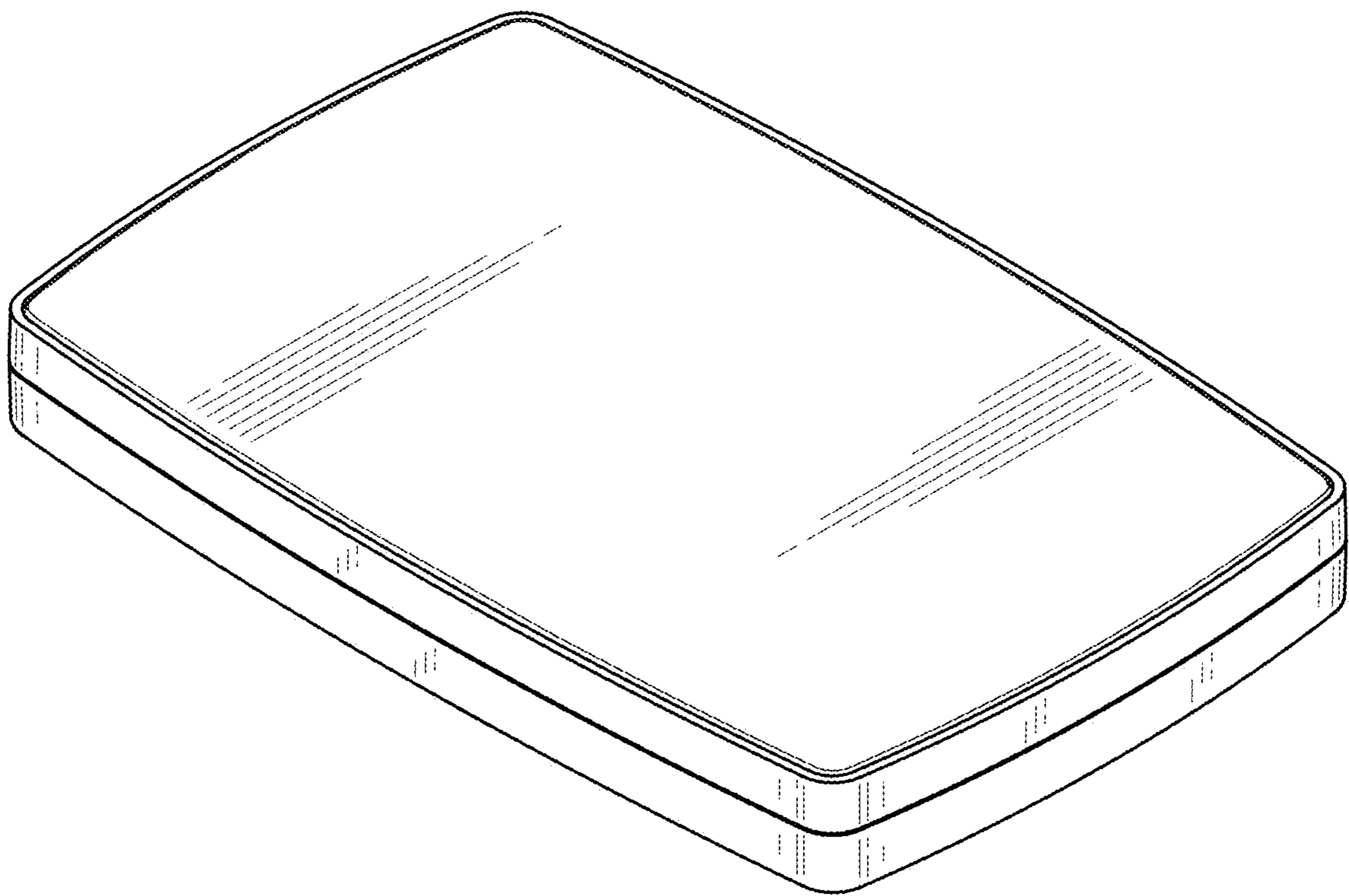


FIG. 1

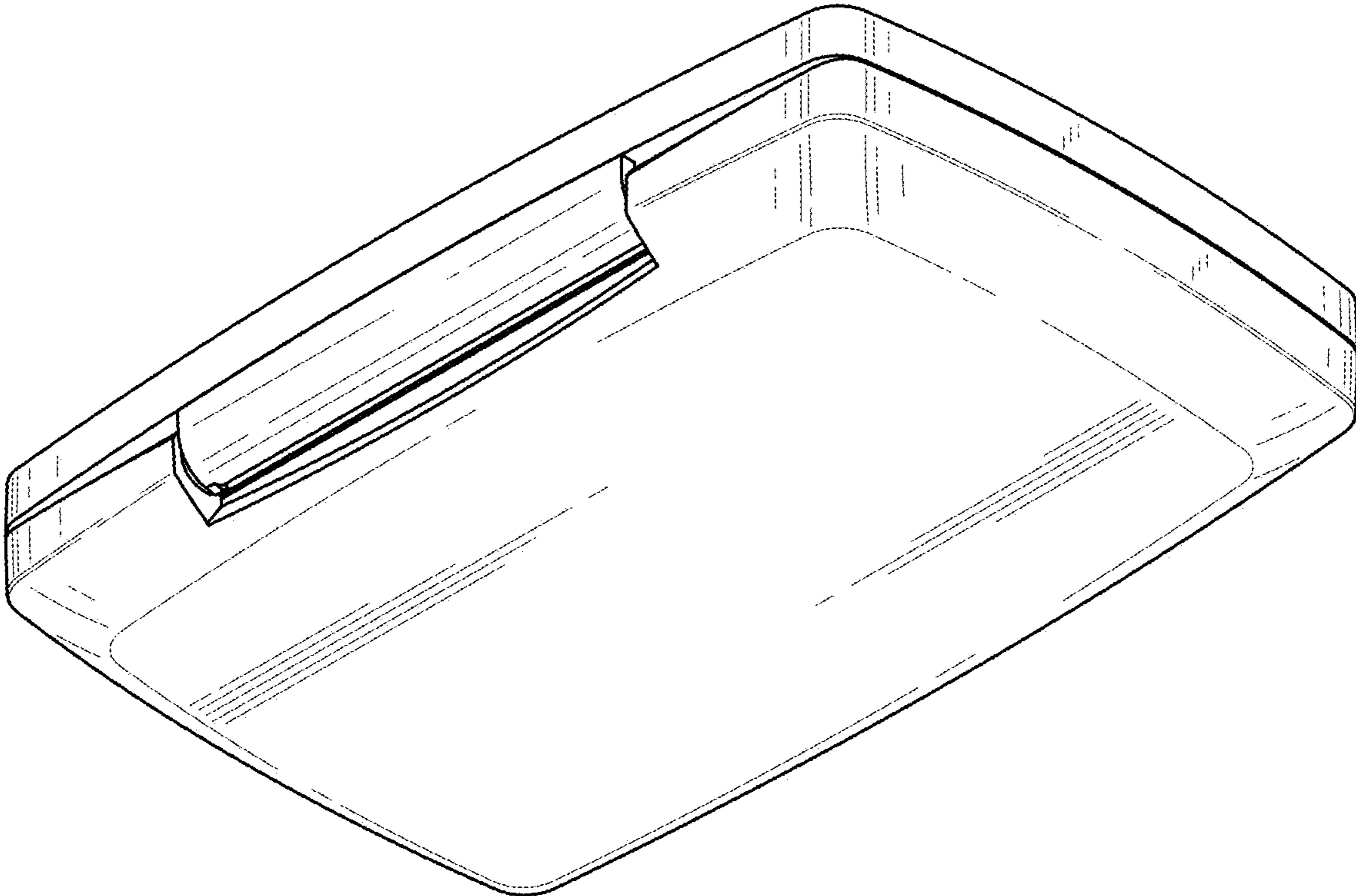


FIG. 2

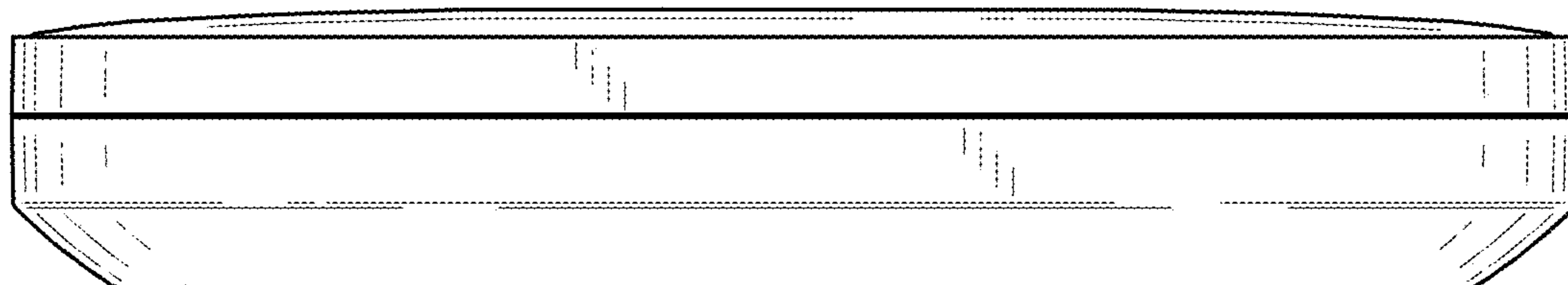


FIG. 3

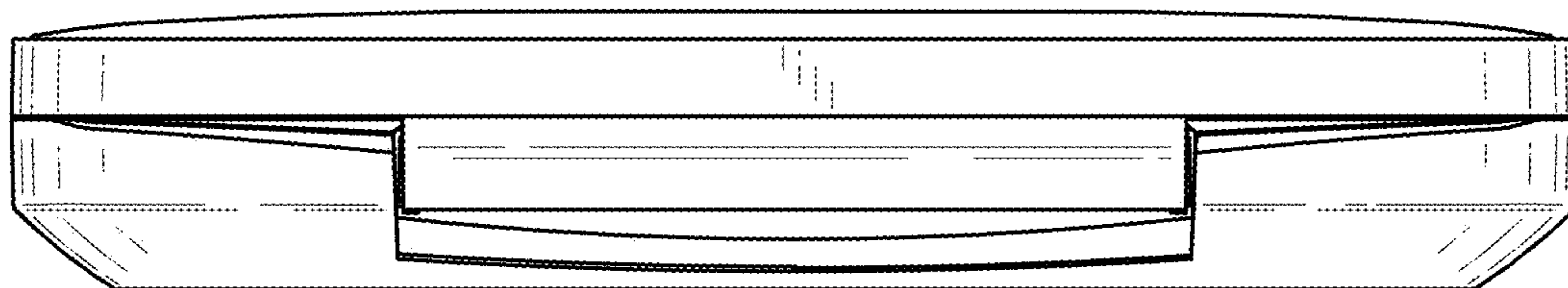


FIG. 4

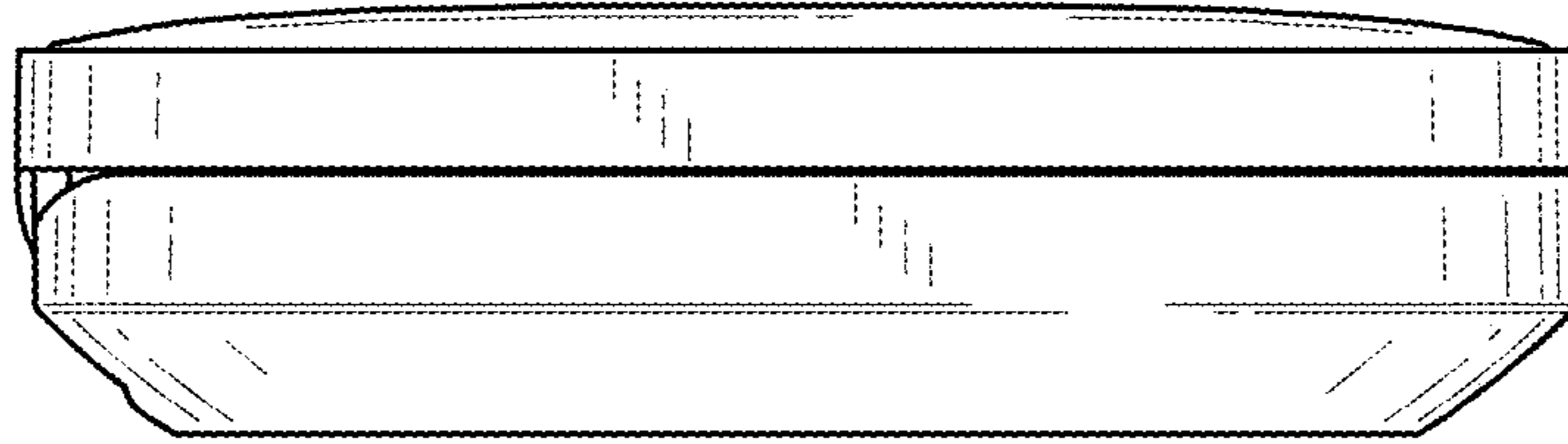


FIG. 5

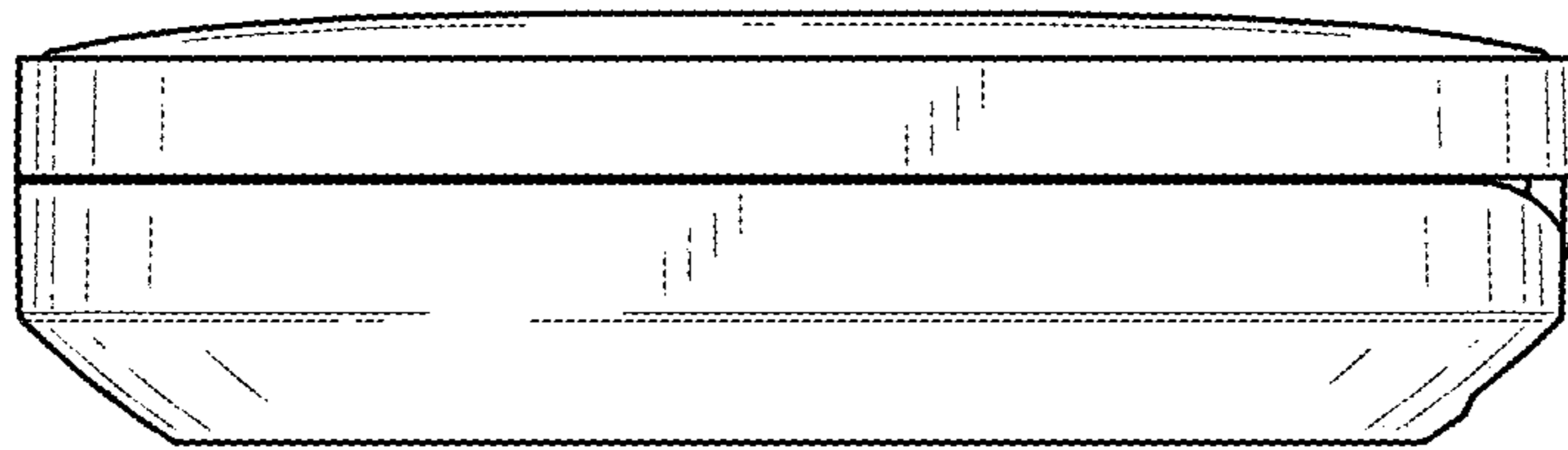


FIG. 6

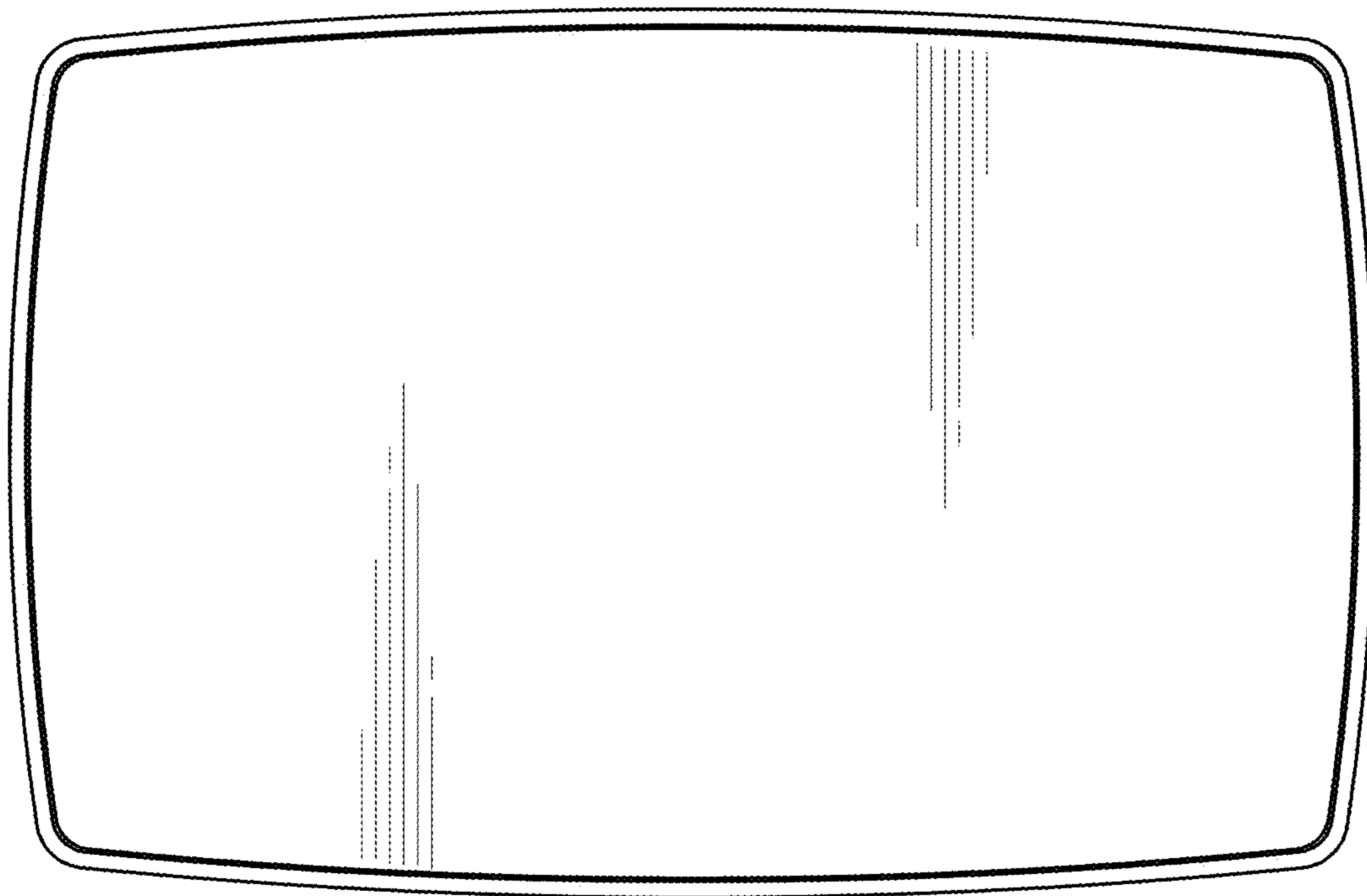


FIG. 7

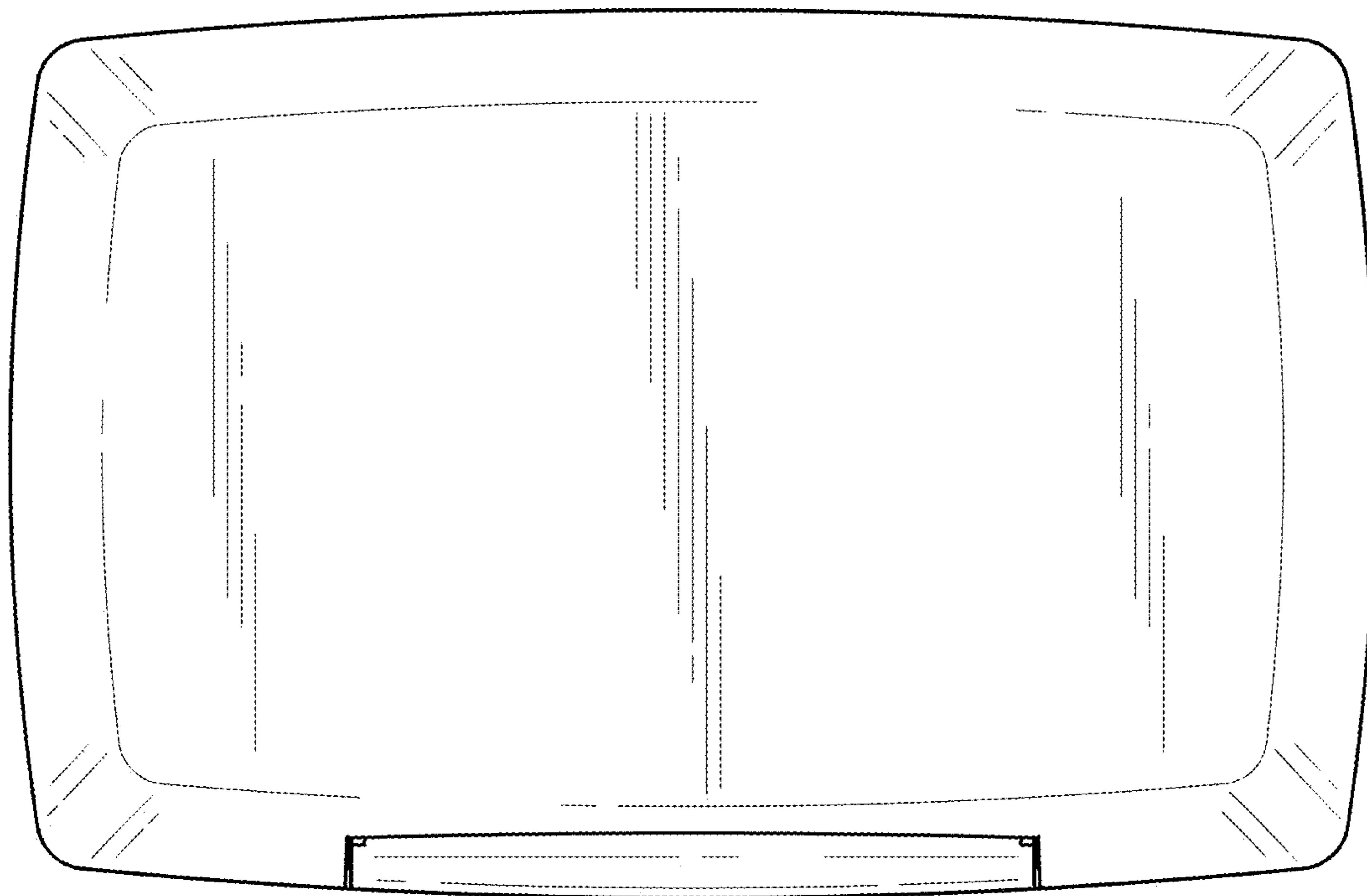


FIG. 8

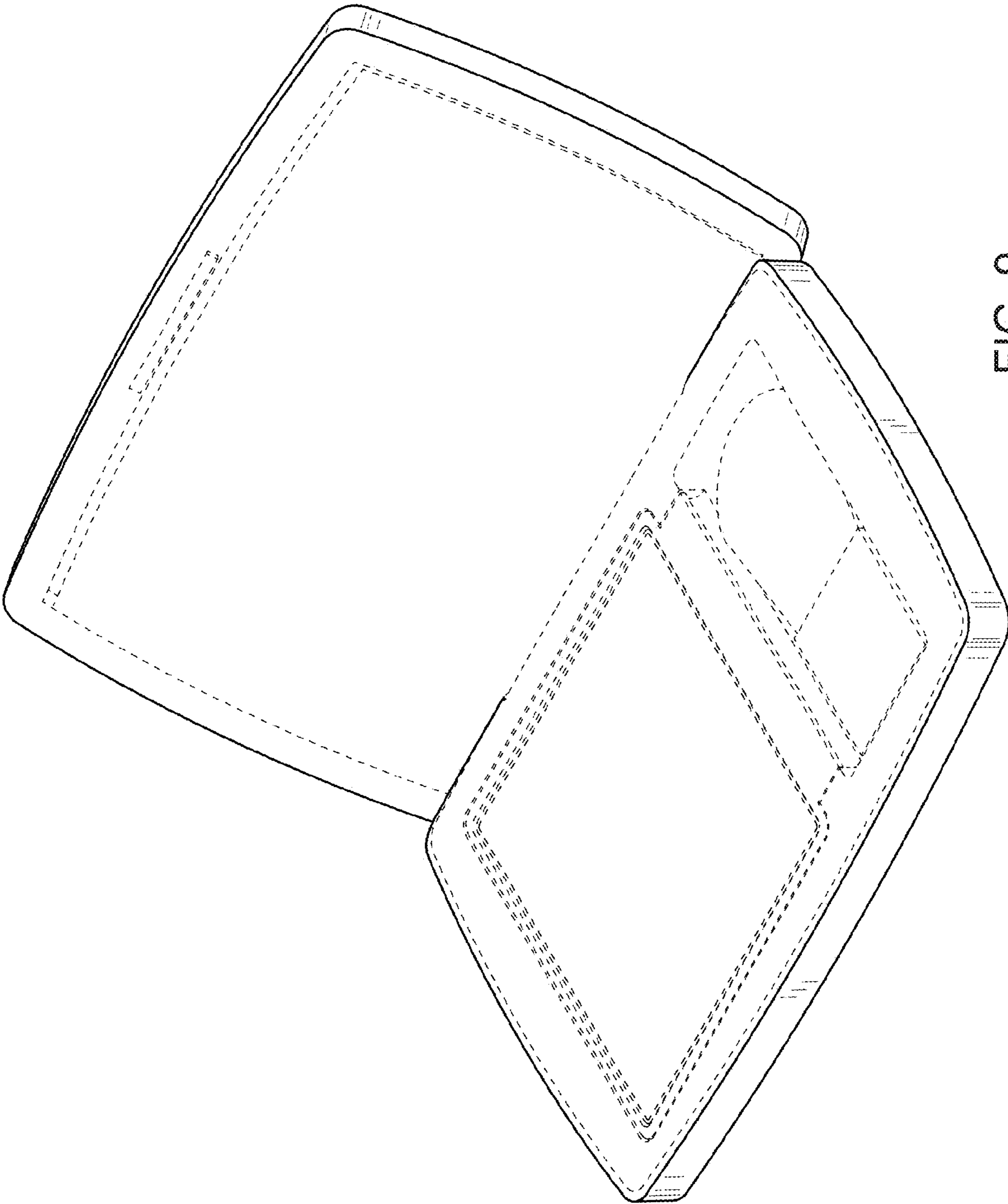


FIG. 9