

US00D942085S

(12) **United States Design Patent** (10) **Patent No.:** **US D942,085 S**
Herring (45) **Date of Patent:** **** Jan. 25, 2022**

(54) **NAIL NIPPERS**

(56) **References Cited**

(71) Applicant: **Robinson Healthcare Limited,**
Nottinghamshire (GB)

(72) Inventor: **Gregory John Herring,**
Nottinghamshire (GB)

(73) Assignee: **ROBINSON HEALTHCARE LIMITED,** Nottinghamshire (GB)

(**) Term: **15 Years**

(21) Appl. No.: **29/761,032**

(22) Filed: **Dec. 7, 2020**

U.S. PATENT DOCUMENTS

2,123,357	A *	7/1938	Grah	A45D 29/02
					30/28
6,860,017	B1 *	3/2005	Mennicken	A45D 29/02
					29/268
D533,307	S *	12/2006	Ross	D28/60
7,210,230	B2 *	5/2007	Wurzel	A45D 29/02
					30/146
D547,905	S *	7/2007	Kurz	D28/60
D593,256	S *	5/2009	Habib	D28/60
D645,207	S *	9/2011	Tran	D28/60
D645,208	S *	9/2011	Tran	D28/60
D762,433	S *	8/2016	Yang	D8/52
D812,304	S *	3/2018	Hussain	D28/60
2012/0011723	A1 *	1/2012	Flaten	A45D 29/02
					30/28
2020/0163432	A1 *	5/2020	Ho	B25G 1/102

* cited by examiner

Related U.S. Application Data

(62) Division of application No. 29/673,100, filed on Dec. 12, 2018.

Primary Examiner — Jennifer Rivard

(74) *Attorney, Agent, or Firm* — Mark M. Friedman

(30) **Foreign Application Priority Data**

Jun. 12, 2018 (EM) 005308210-0002

Jun. 12, 2018 (EM) 005308210-0007

(51) **LOC (13) Cl.** **28-03**

(52) **U.S. Cl.**
USPC **D28/60**

(58) **Field of Classification Search**
USPC D28/60; D8/52
CPC A45D 2029/026; A45D 29/18; A45D 29/023; A45D 29/00; A45D 29/02
See application file for complete search history.

(57) **CLAIM**

The ornamental design for nail nippers, as shown and described.

DESCRIPTION

FIG. 1 is a front view of nail nippers showing my new design;

FIG. 2 is a rear view thereof;

FIG. 3 is a bottom view thereof;

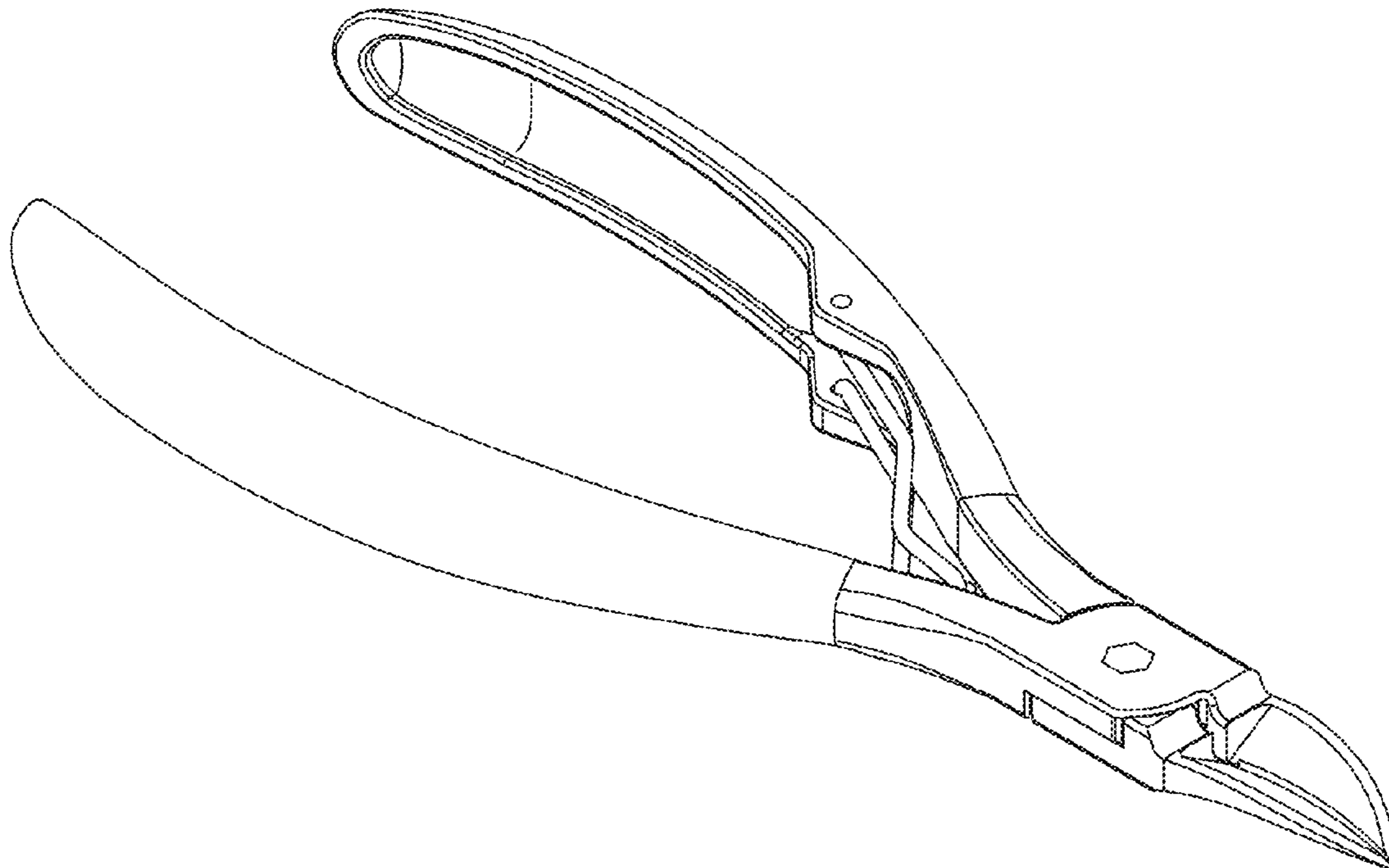
FIG. 4 is a left side view thereof;

FIG. 5 is a right side view thereof; and,

FIG. 6 is a front perspective view thereof.

The top view is a mirror image of the bottom view thereof.

1 Claim, 6 Drawing Sheets



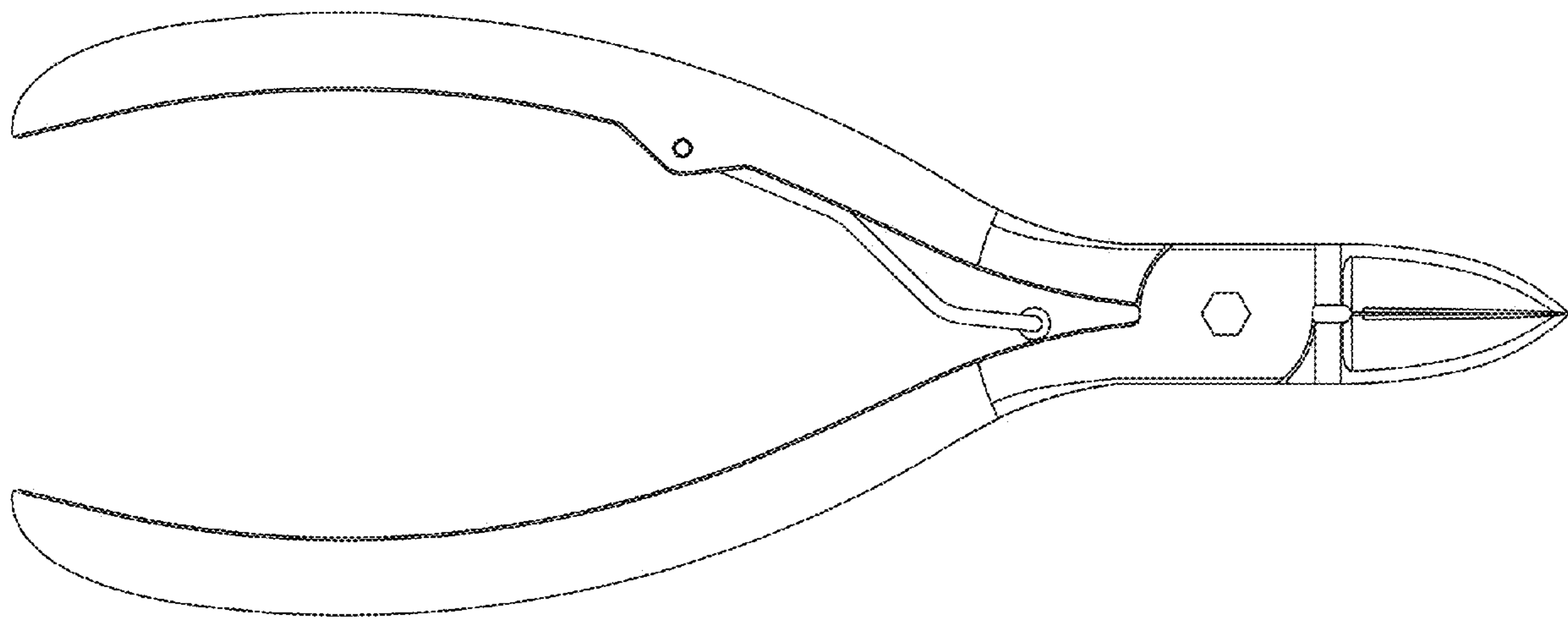


Fig. 1

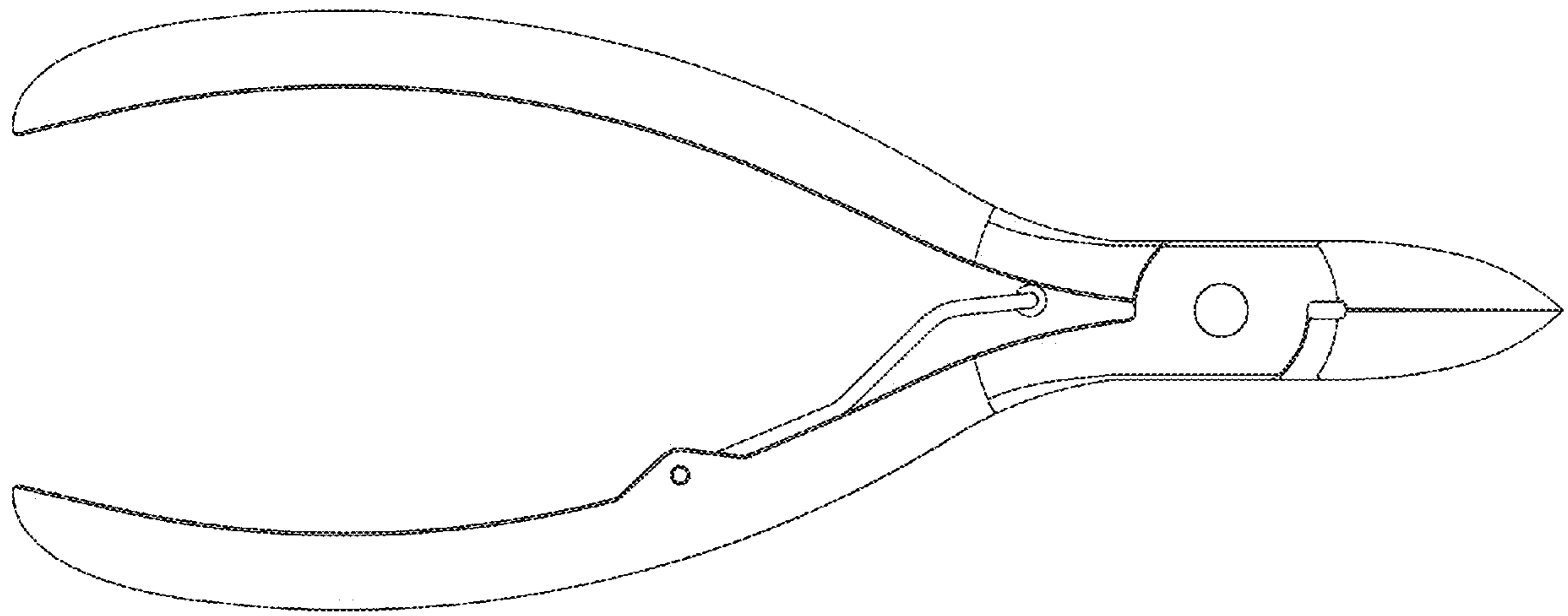


Fig. 2

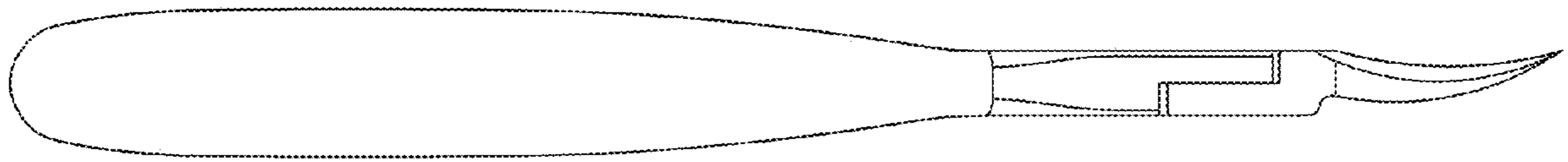


Fig. 3

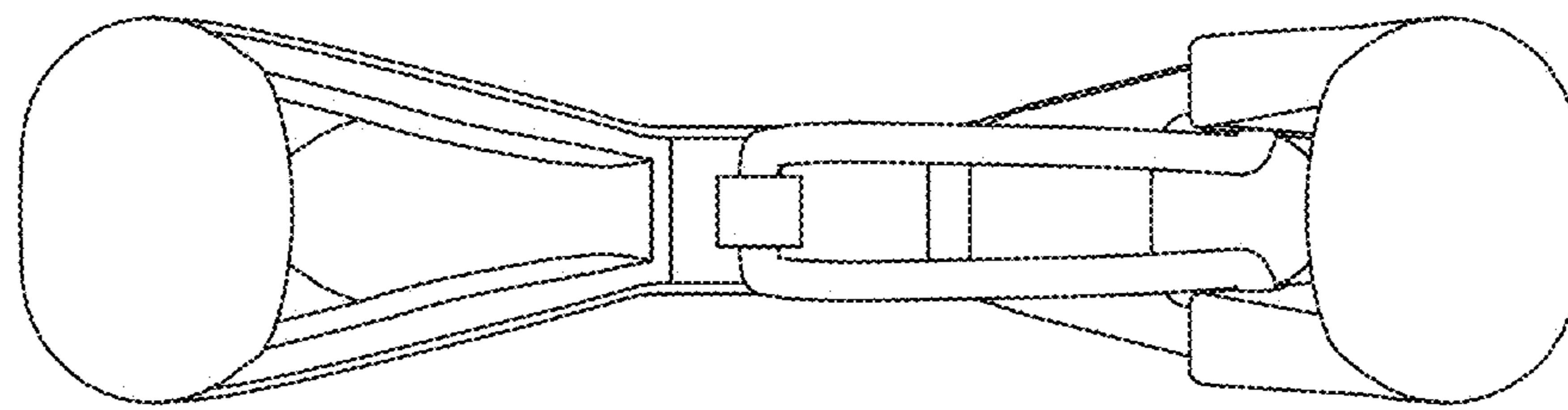


Fig. 4

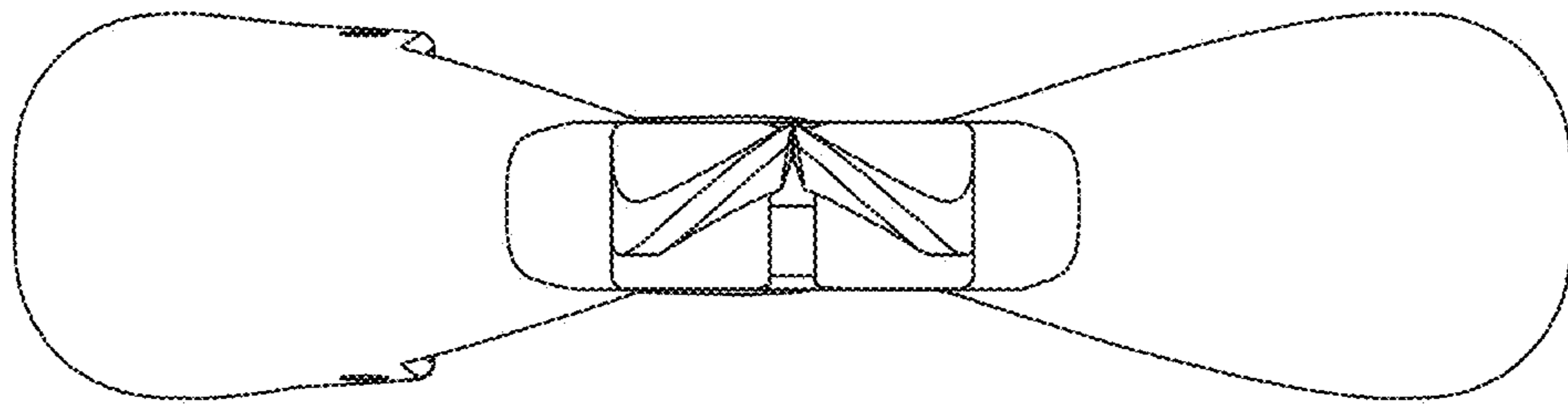


Fig. 5

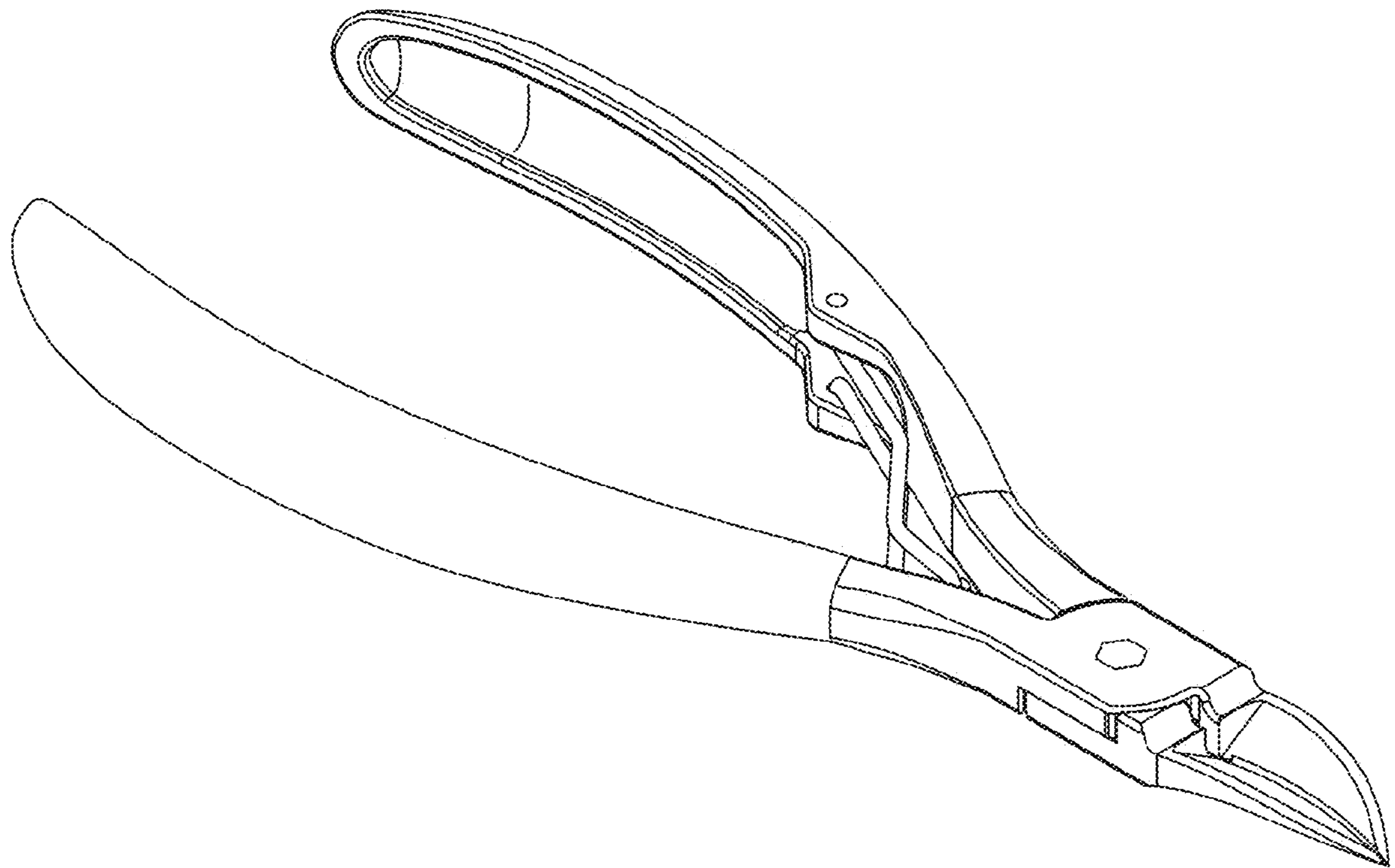


Fig. 6