



US00D942084S

(12) **United States Design Patent** (10) **Patent No.:** **US D942,084 S**
Herring (45) **Date of Patent:** **** Jan. 25, 2022**

(54) **NAIL NIPPERS** 6,473,969 B2 * 11/2002 Rinaldi A45D 29/02
30/186
(71) Applicant: **Robinson Healthcare Limited,** D489,844 S * 5/2004 Merheje D28/60
Nottinghamshire (GB) D494,321 S * 8/2004 Haquin D28/60
6,860,017 B1 * 3/2005 Mennicken A45D 29/02
29/268
(72) Inventor: **Gregory John Herring,** 7,210,230 B2 * 5/2007 Wurzel A45D 29/02
Nottinghamshire (GB) 30/146
(73) Assignee: **ROBINSON HEALTHCARE** D592,355 S * 5/2009 Barton D28/60
LIMITED, Nottinghamshire (GB) D593,256 S * 5/2009 Habib D28/60
D645,207 S * 9/2011 Tran D28/60
D645,208 S * 9/2011 Tran D28/60
D691,727 S * 10/2013 Lim D24/171
D762,433 S * 8/2016 Yang D8/52
D812,304 S * 3/2018 Hussain D28/60
(**) Term: **15 Years** 2009/0078278 A1 * 3/2009 Tran A45D 29/16
132/75.5
(21) Appl. No.: **29/673,100**
(22) Filed: **Dec. 12, 2018**

(30) **Foreign Application Priority Data**
Jun. 12, 2018 (EM) 005308210-0002
Jun. 12, 2018 (EM) 005308210-0007
(51) **LOC (13) Cl.** **28-03**
(52) **U.S. Cl.**
USPC **D28/60**
(58) **Field of Classification Search**
USPC D28/60; D8/52
CPC A45D 2029/026; A45D 29/18; A45D
29/023; A45D 29/00; A45D 29/02
See application file for complete search history.

(56) **References Cited**
U.S. PATENT DOCUMENTS
2,123,357 A * 7/1938 Grah A45D 29/02
30/28
5,214,854 A * 6/1993 Mennicken B25B 7/18
30/186
5,301,431 A * 4/1994 Cera A61B 17/8863
30/186
6,076,264 A * 6/2000 Meckel A45D 29/00
30/225

(Continued)

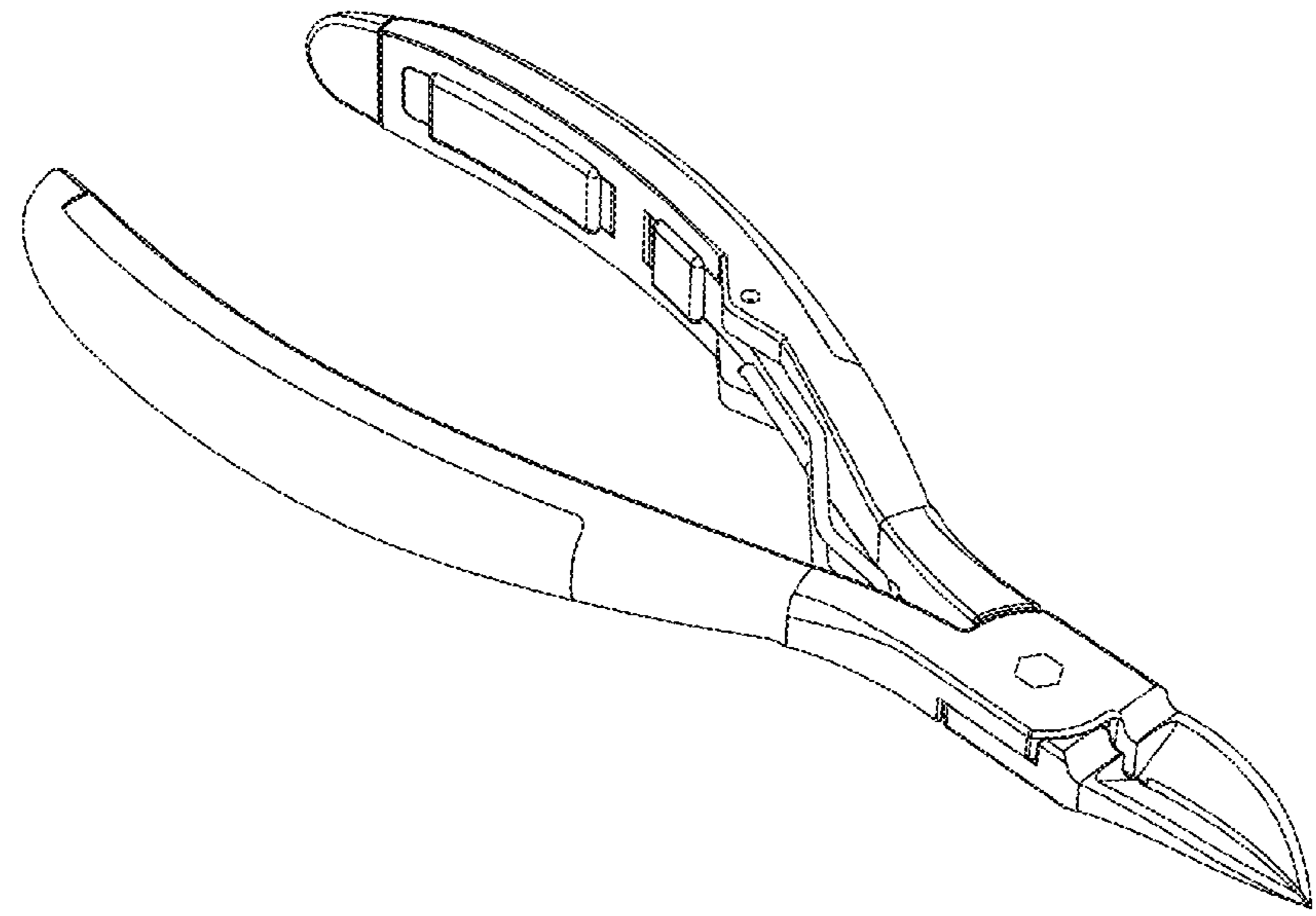
OTHER PUBLICATIONS
Feryes Toenail Clippers, www.amazon.co.uk, 1 page, reviewed as
early as Feb. 2020 (Year: 2020).*
(Continued)

Primary Examiner — Jennifer Rivard
(74) *Attorney, Agent, or Firm* — Mark M. Friedman

(57) **CLAIM**
The ornamental design for nail nippers, as shown and
described.

DESCRIPTION
FIG. 1 is a front view of nail nippers showing my new
design;
FIG. 2 is a rear view thereof;
FIG. 3 is a bottom view thereof;
FIG. 4 is a left side view thereof;
FIG. 5 is a right side view thereof; and,
FIG. 6 is a front perspective view thereof.
The top view is a mirror image of the bottom view.

1 Claim, 6 Drawing Sheets



(56)

References Cited

U.S. PATENT DOCUMENTS

2012/0011723 A1* 1/2012 Flaten A45D 29/02
30/28
2020/0163432 A1* 5/2020 Ho A61N 2/06

OTHER PUBLICATIONS

Toenail Clippers Set by OosoFit, www.amazon.co.uk, 1 page,
reviewed as early as Aug. 24, 2019 (Year: 2019).*
Kohm Kp-700 Toenail Nipper, www.amazon.com, 1 page, reviewed
as early as Apr. 5, 2017 (Year: 2017).*

* cited by examiner

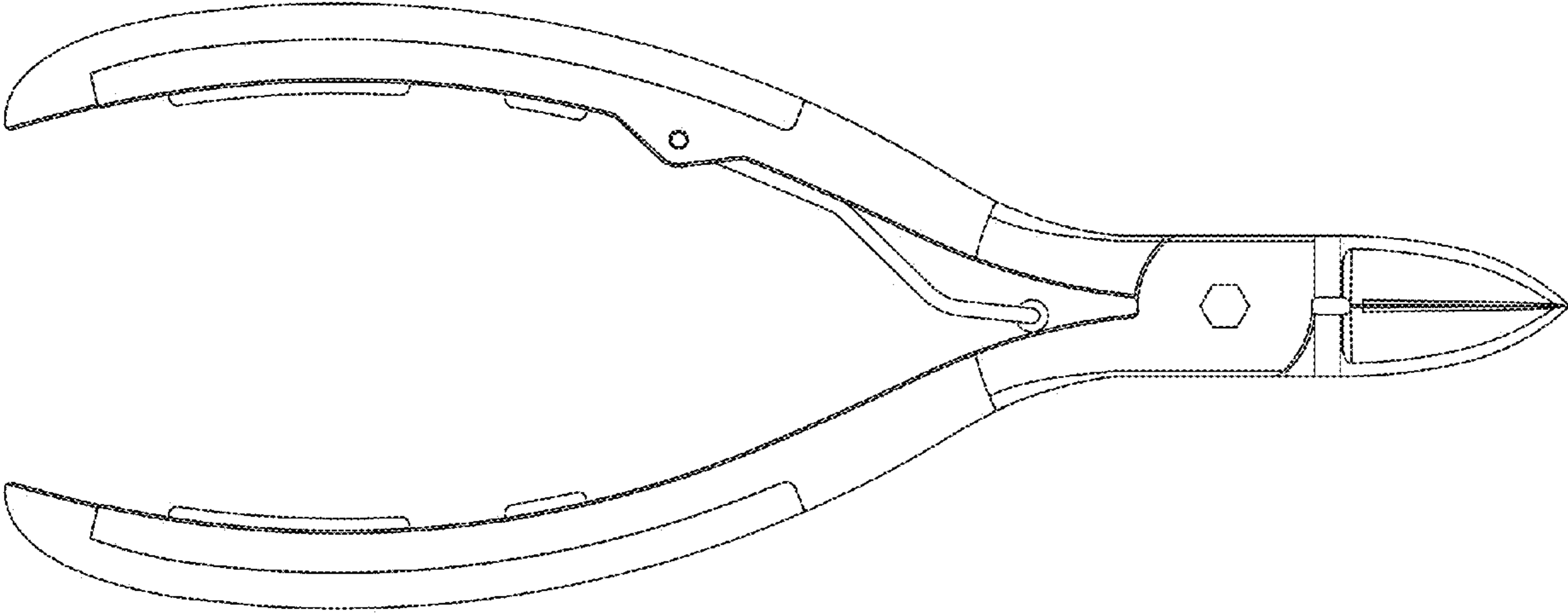


Fig. 1

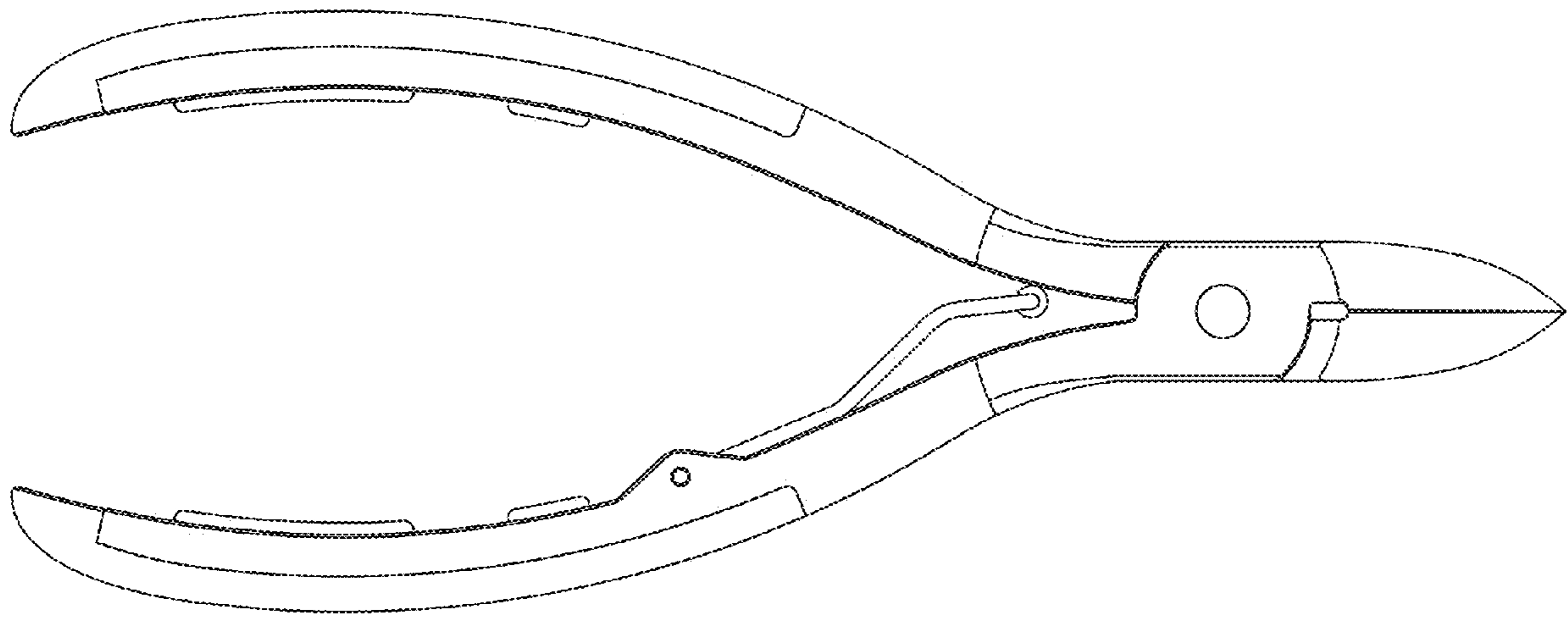


Fig. 2

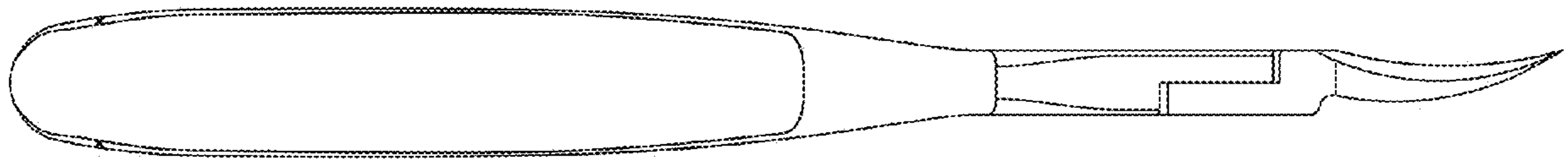


Fig. 3

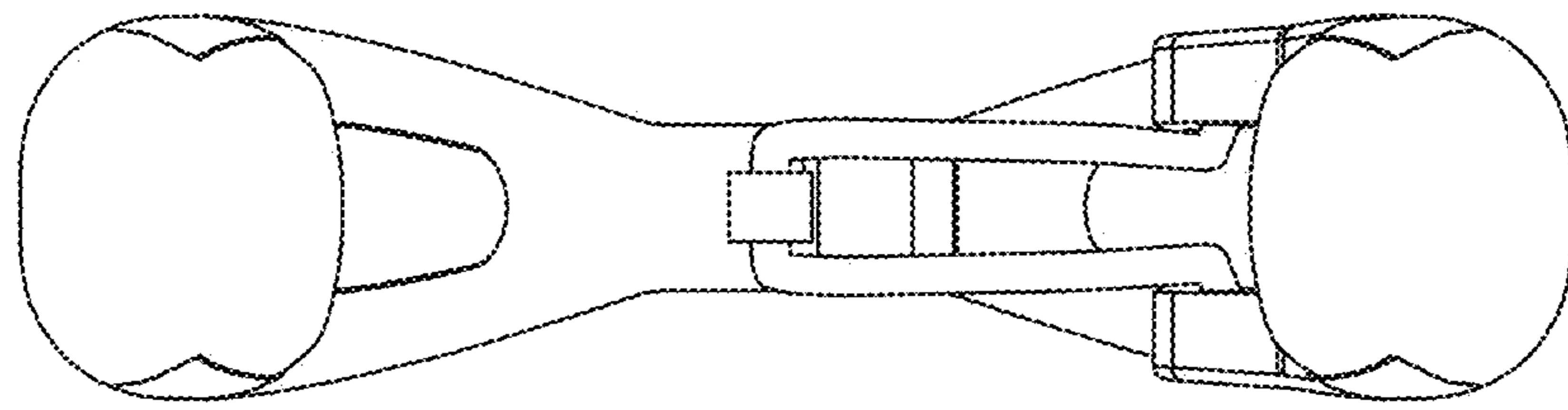


Fig. 4

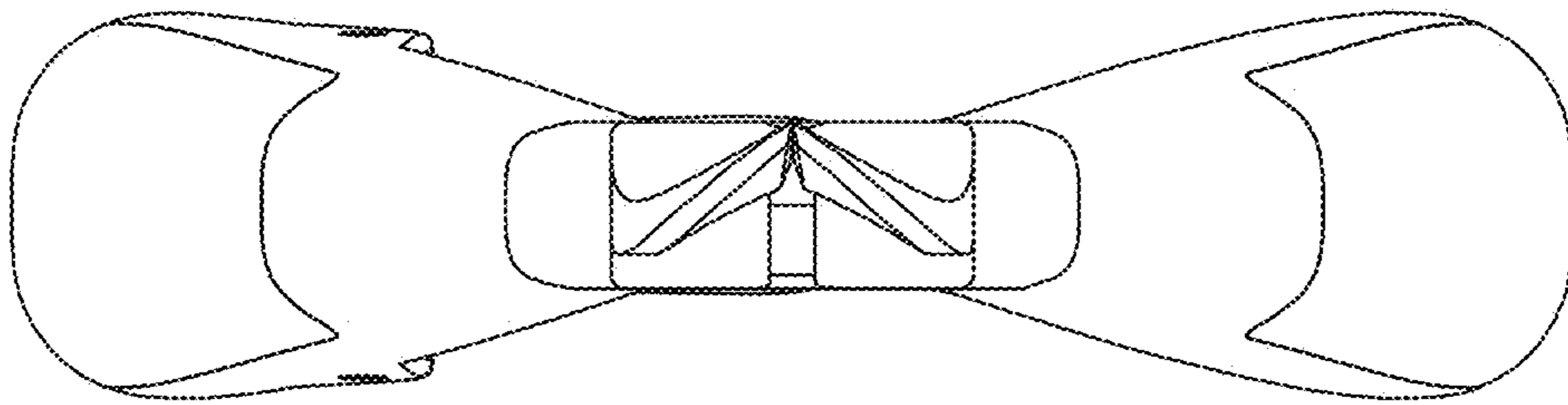


Fig. 5

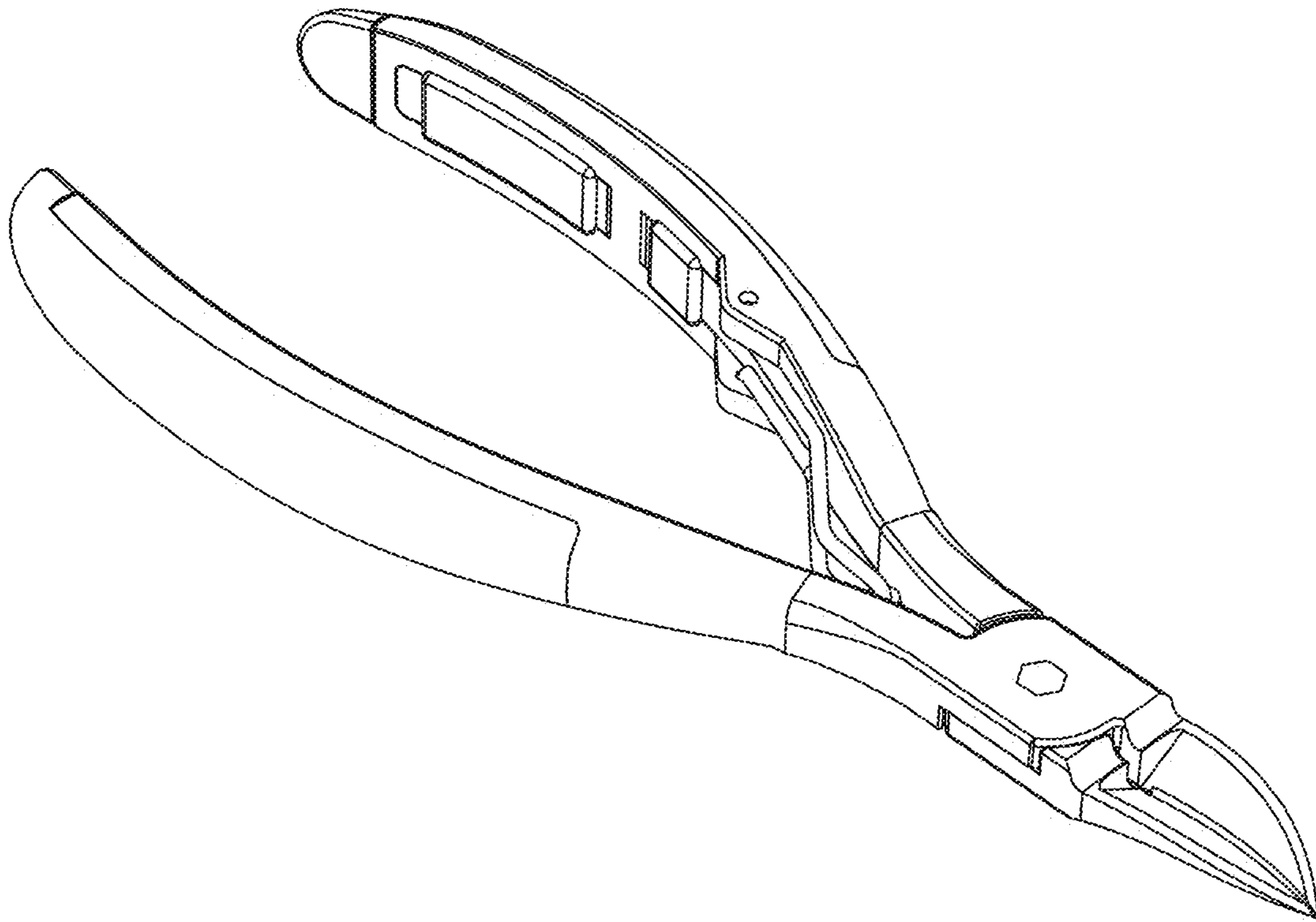


Fig. 6