



US00D942081S

(12) **United States Design Patent**
Liu

(10) **Patent No.:** **US D942,081 S**
(45) **Date of Patent:** **** Jan. 25, 2022**

(54) **SHAVING HEAD WITH SIX HEADS**

(71) Applicant: **Donghai Liu**, Guangdong (CN)

(72) Inventor: **Donghai Liu**, Guangdong (CN)

(**) Term: **15 Years**

(21) Appl. No.: **29/753,172**

(22) Filed: **Sep. 30, 2020**

(51) **LOC (13) Cl.** **28-03**

(52) **U.S. Cl.**
USPC **D28/50; D28/54**

(58) **Field of Classification Search**
USPC D28/50, 54
CPC B26B 19/14-18; B26B 19/04-048
See application file for complete search history.

(56) **References Cited**

U.S. PATENT DOCUMENTS

D601,301 S *	9/2009	Bao	D28/50
D693,060 S *	11/2013	Lyles	D28/50
D756,565 S	5/2016	Andersson		
D758,661 S	6/2016	Andersson		
D776,878 S	1/2017	Andersson		
D861,986 S *	10/2019	Wang	D28/50
D884,972 S *	5/2020	Andersson	D28/50
D914,290 S *	3/2021	Kulshreshtha	D28/50
D918,474 S *	5/2021	Lu	D28/50
D924,486 S *	7/2021	Chen	D28/50
D925,124 S *	7/2021	Huang	D28/50

OTHER PUBLICATIONS

Foxsonic 6 Blades Electric Shaver, www.amazon.com, reviewed as early as Nov. 2020, 1 page (Year: 2020).*

* cited by examiner

Primary Examiner — Jennifer Rivard

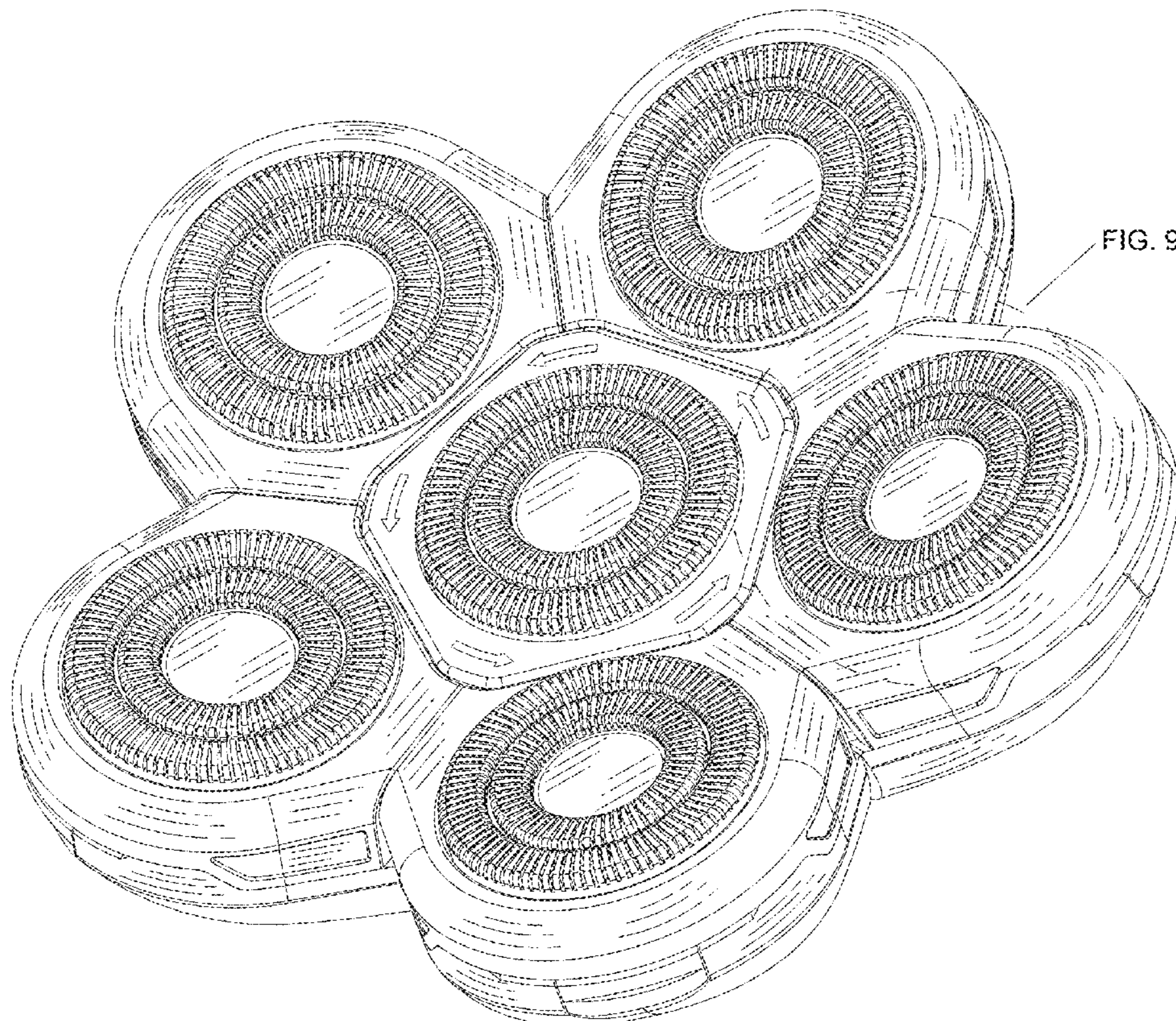
(57) **CLAIM**

The ornamental design for a shaving head with six heads, as shown and described.

DESCRIPTION

FIG. 1 is a perspective view of a shaving head with six heads showing my new design;
FIG. 2 is a front elevational view thereof;
FIG. 3 is a rear elevational view thereof;
FIG. 4 is a left side elevational view thereof;
FIG. 5 is a right side elevational view thereof;
FIG. 6 is a top plan view thereof;
FIG. 7 is a bottom plan view thereof;
FIG. 8 is another perspective view thereof; and,
FIG. 9 is an enlarged view thereof.
The broken lines illustrate portions of the shaving head with six heads and form no part of the claimed design.

1 Claim, 9 Drawing Sheets



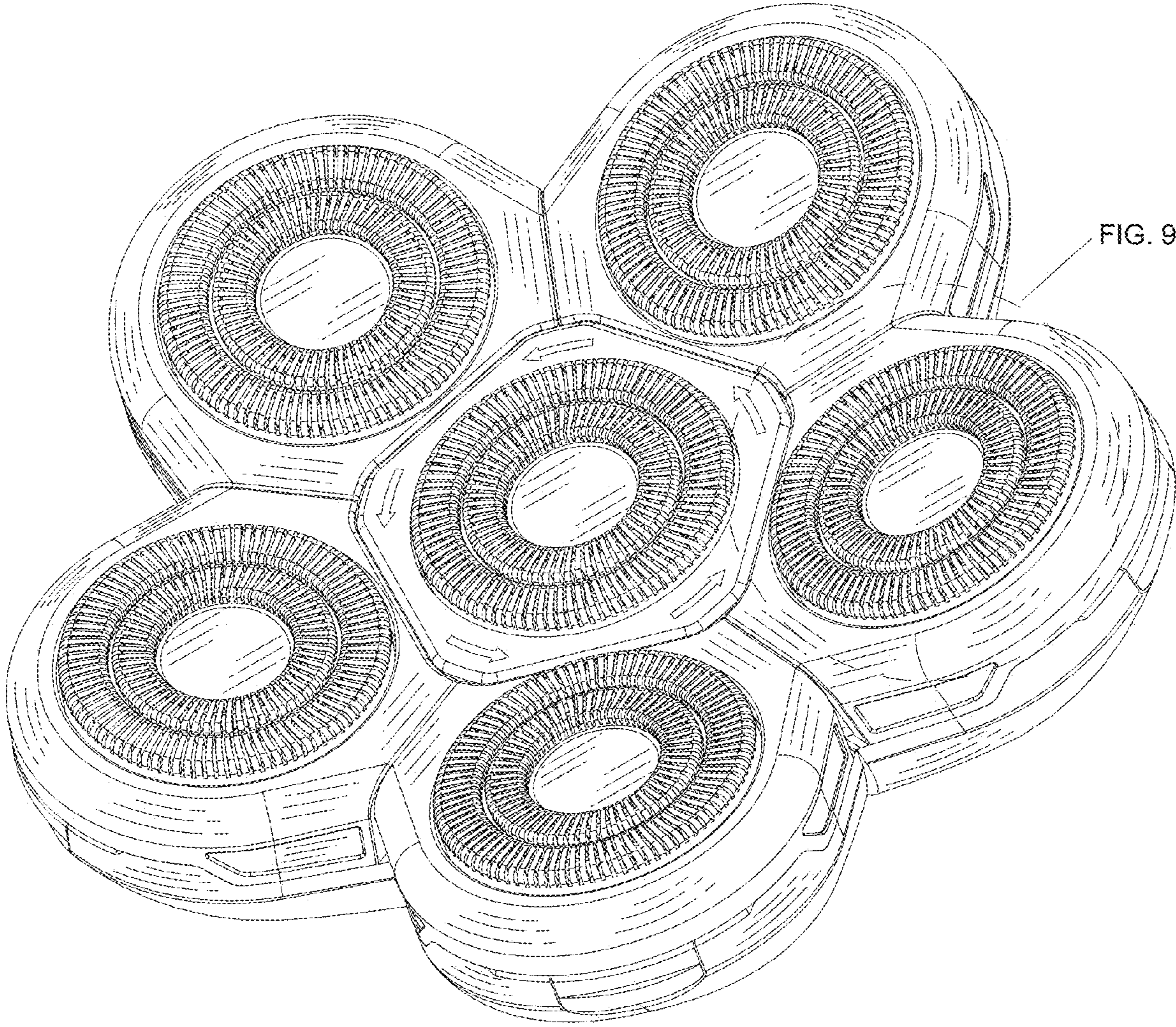


FIG.1

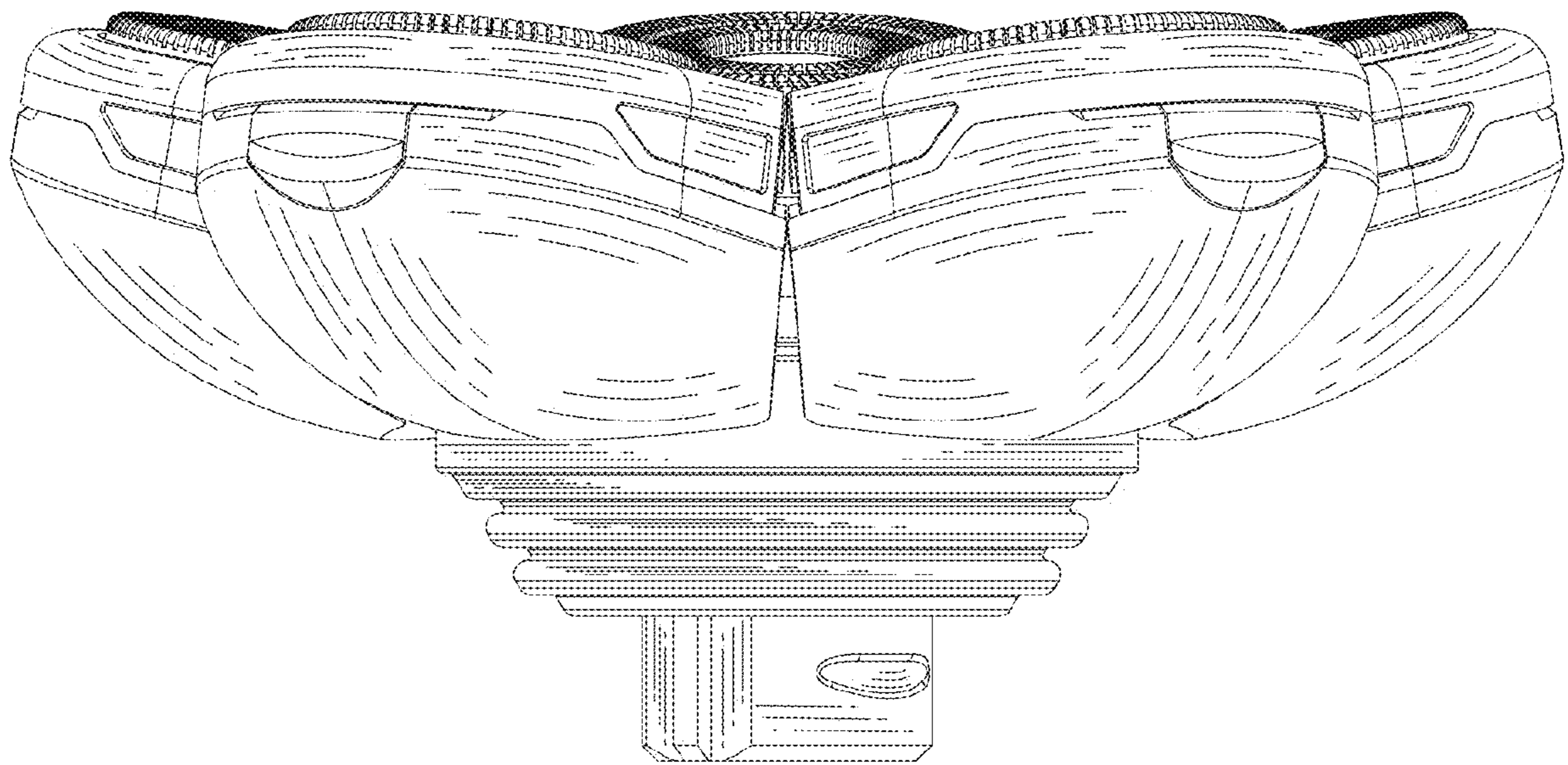


FIG.2

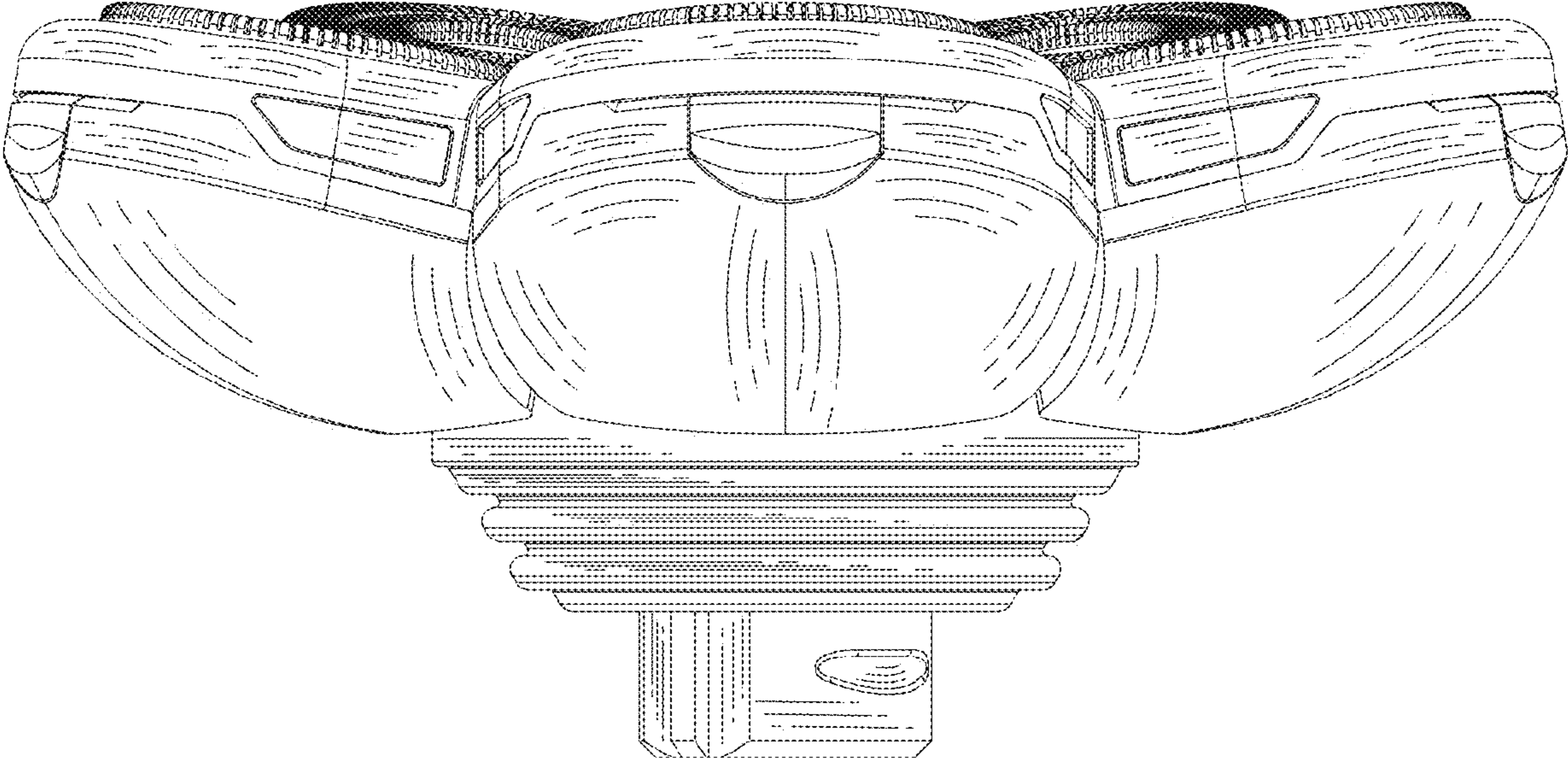


FIG.3

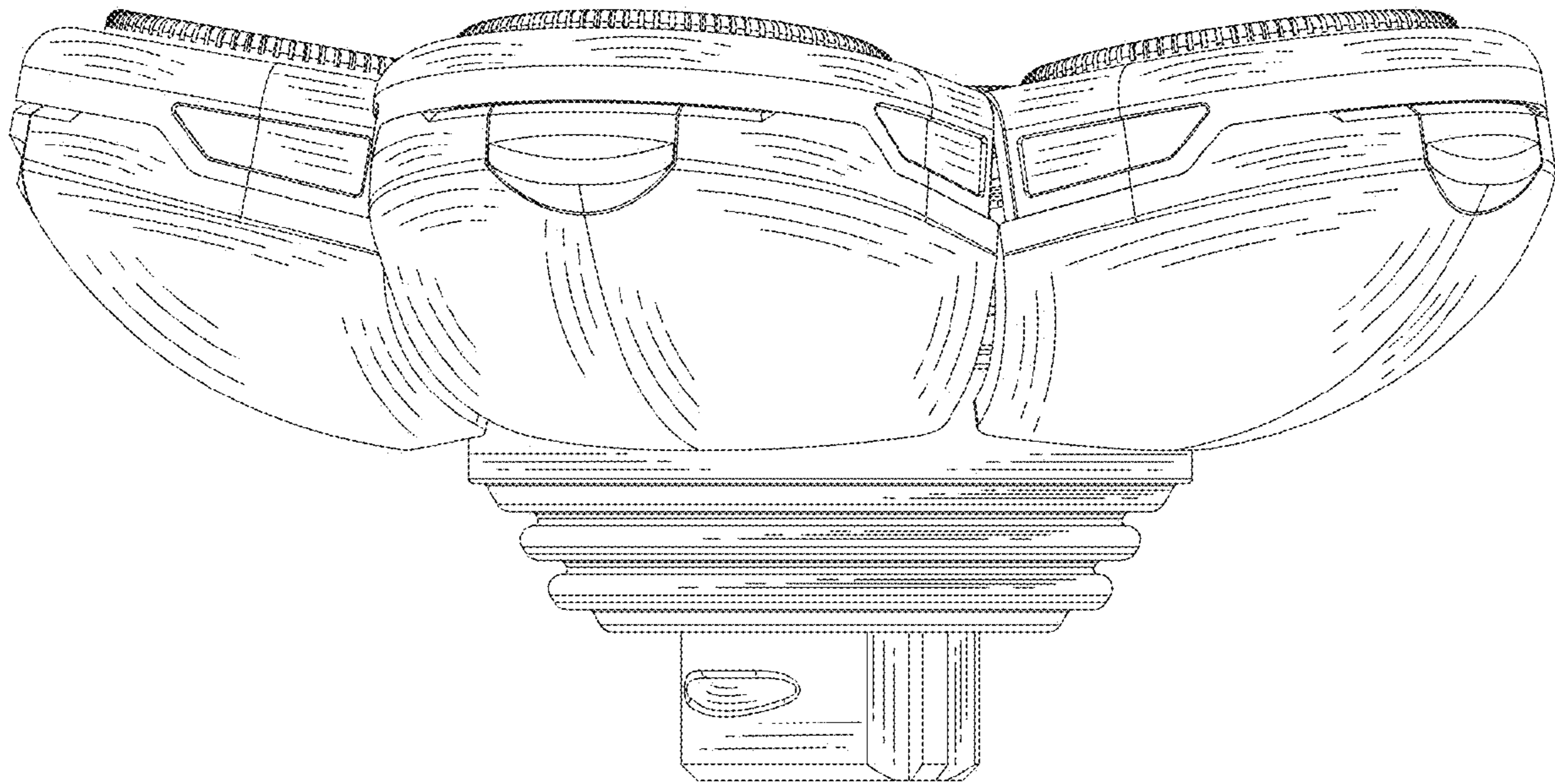


FIG.4

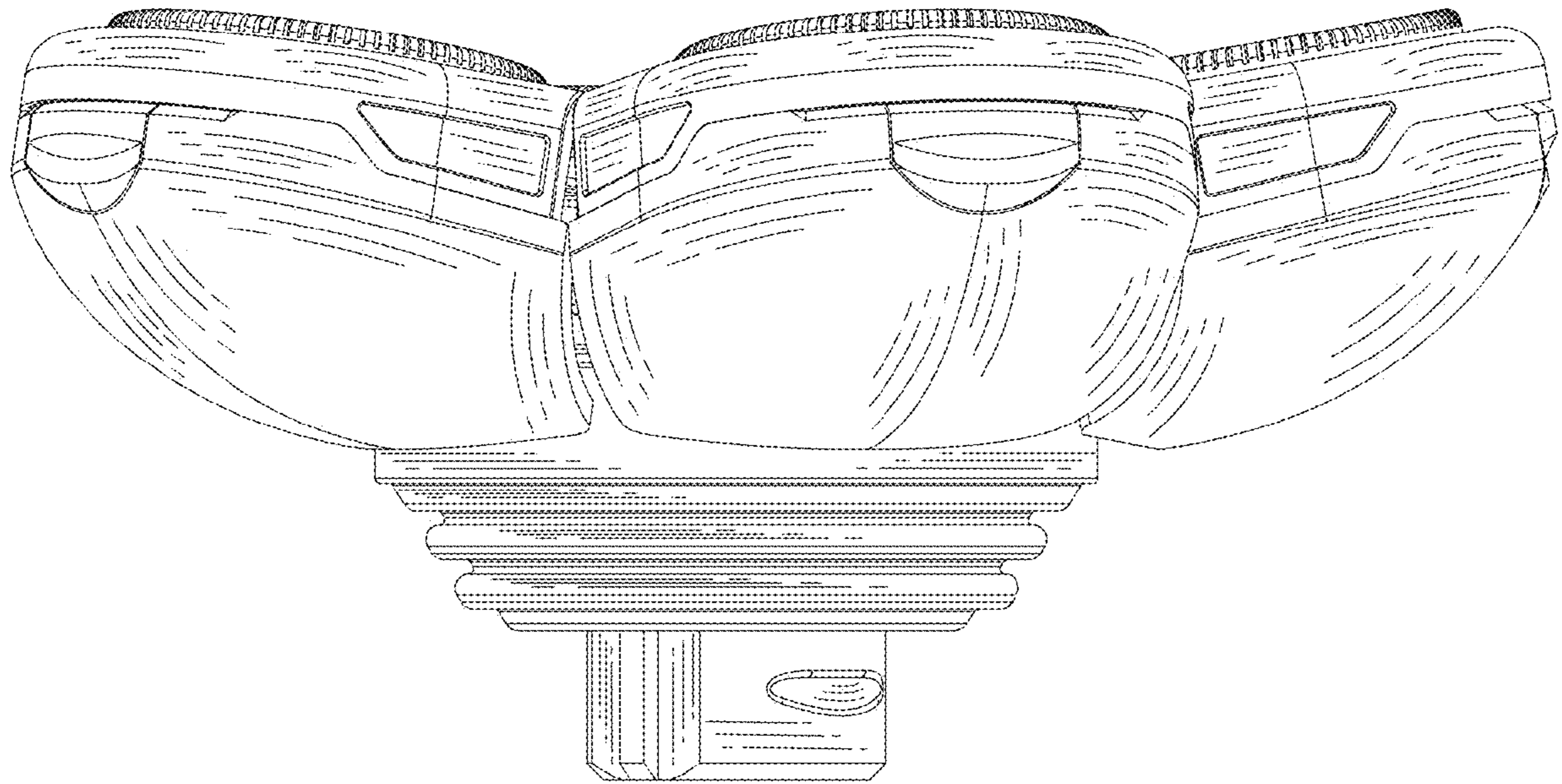


FIG.5

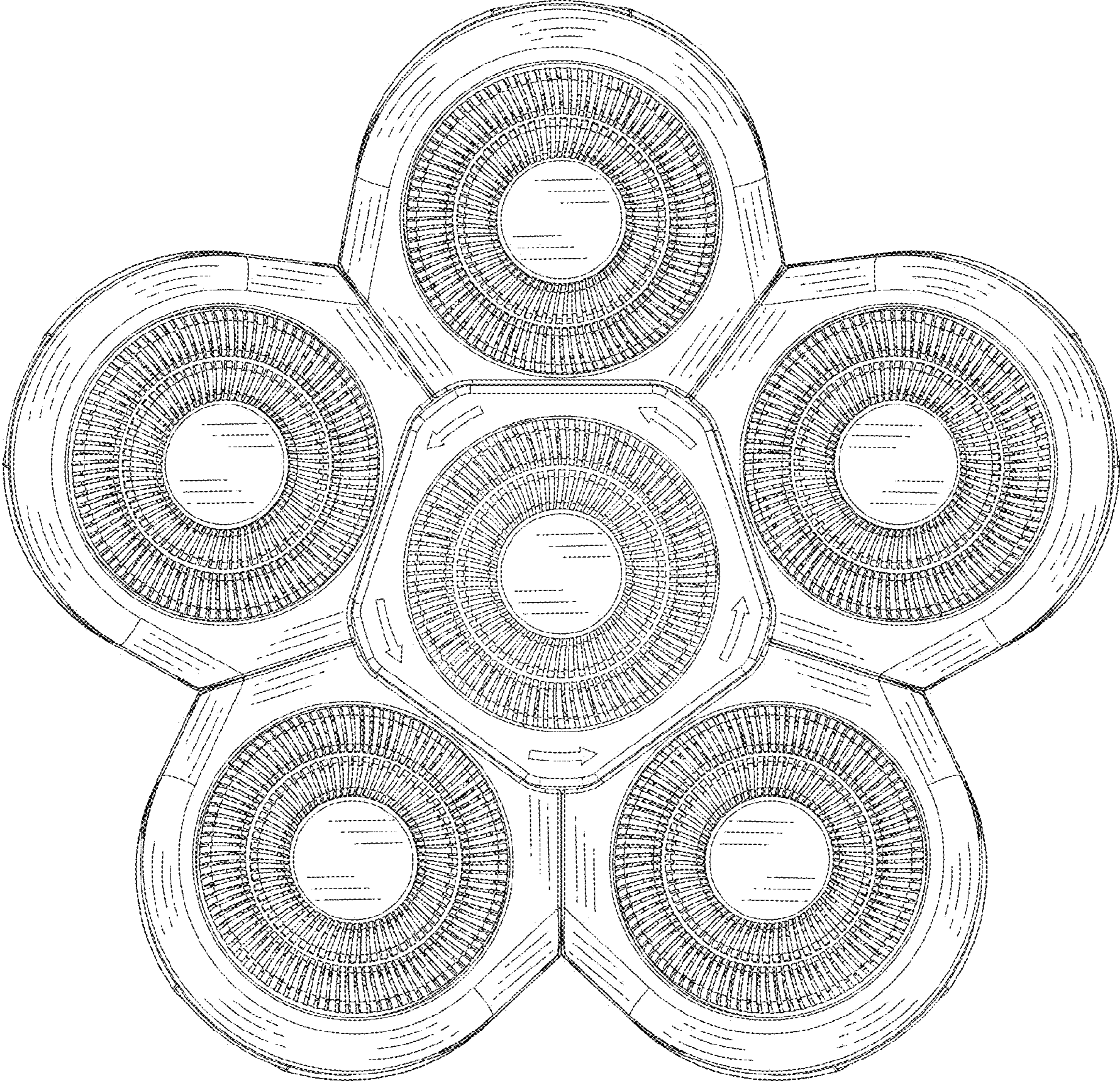


FIG.6

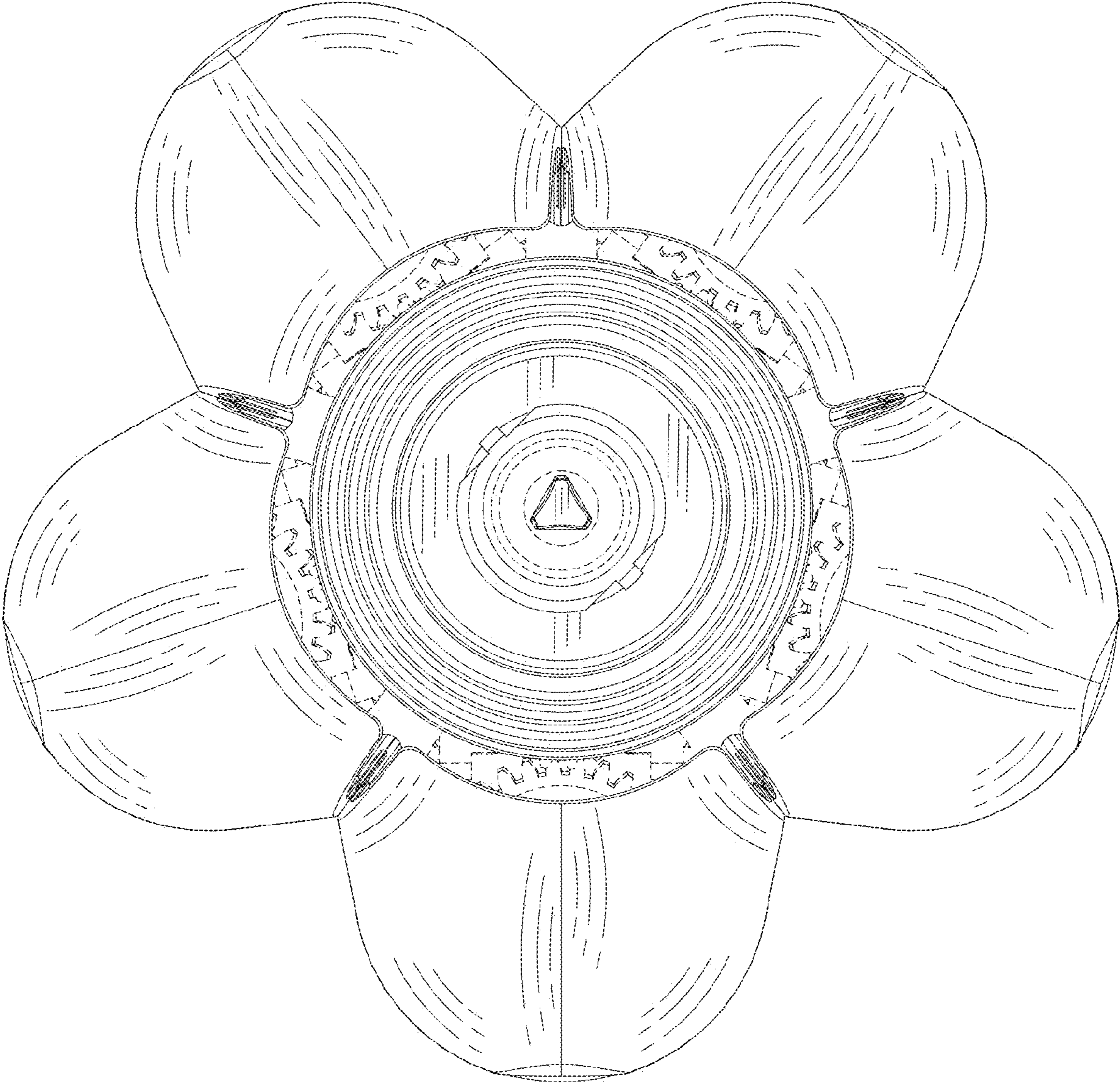


FIG.7

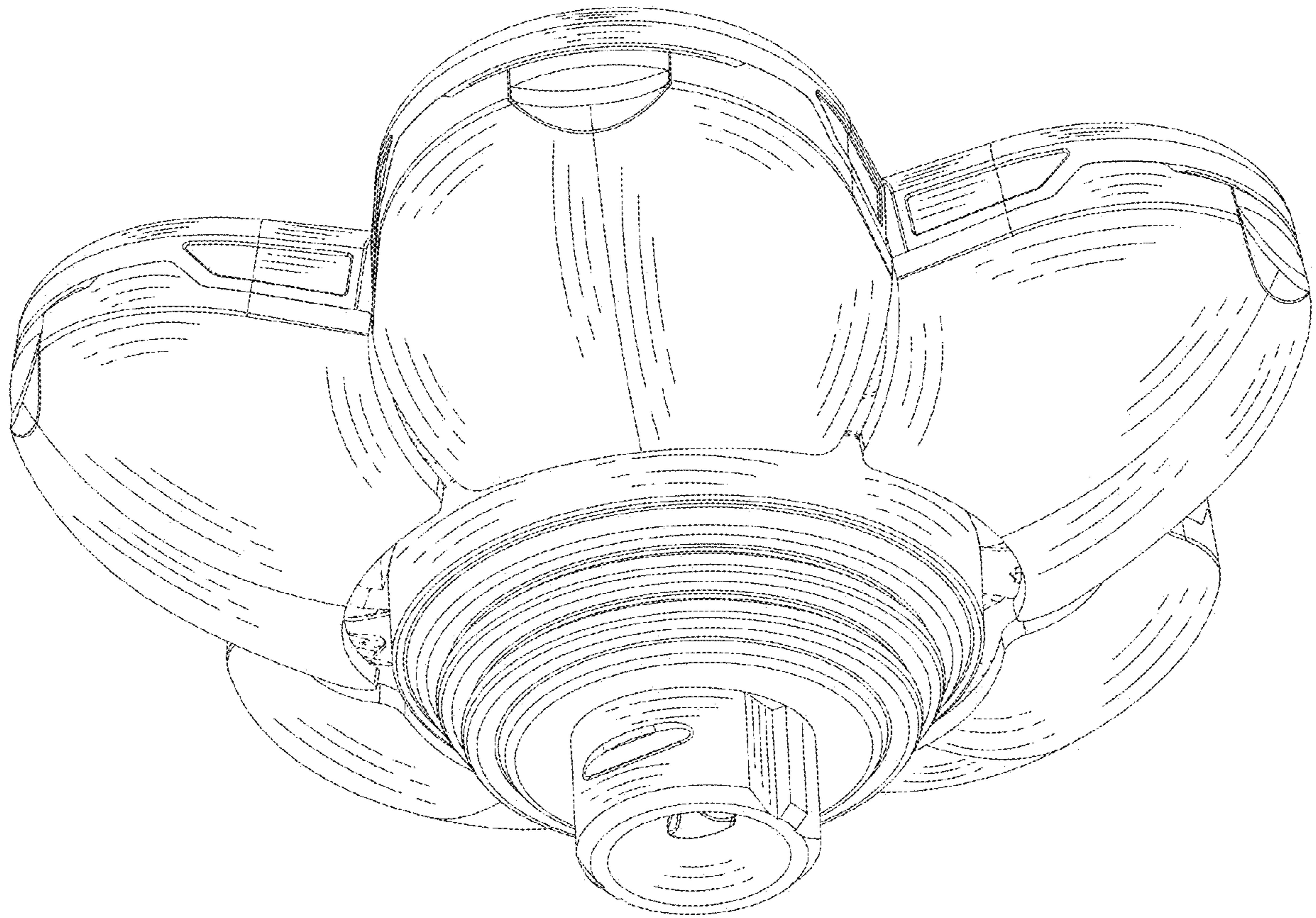


FIG.8

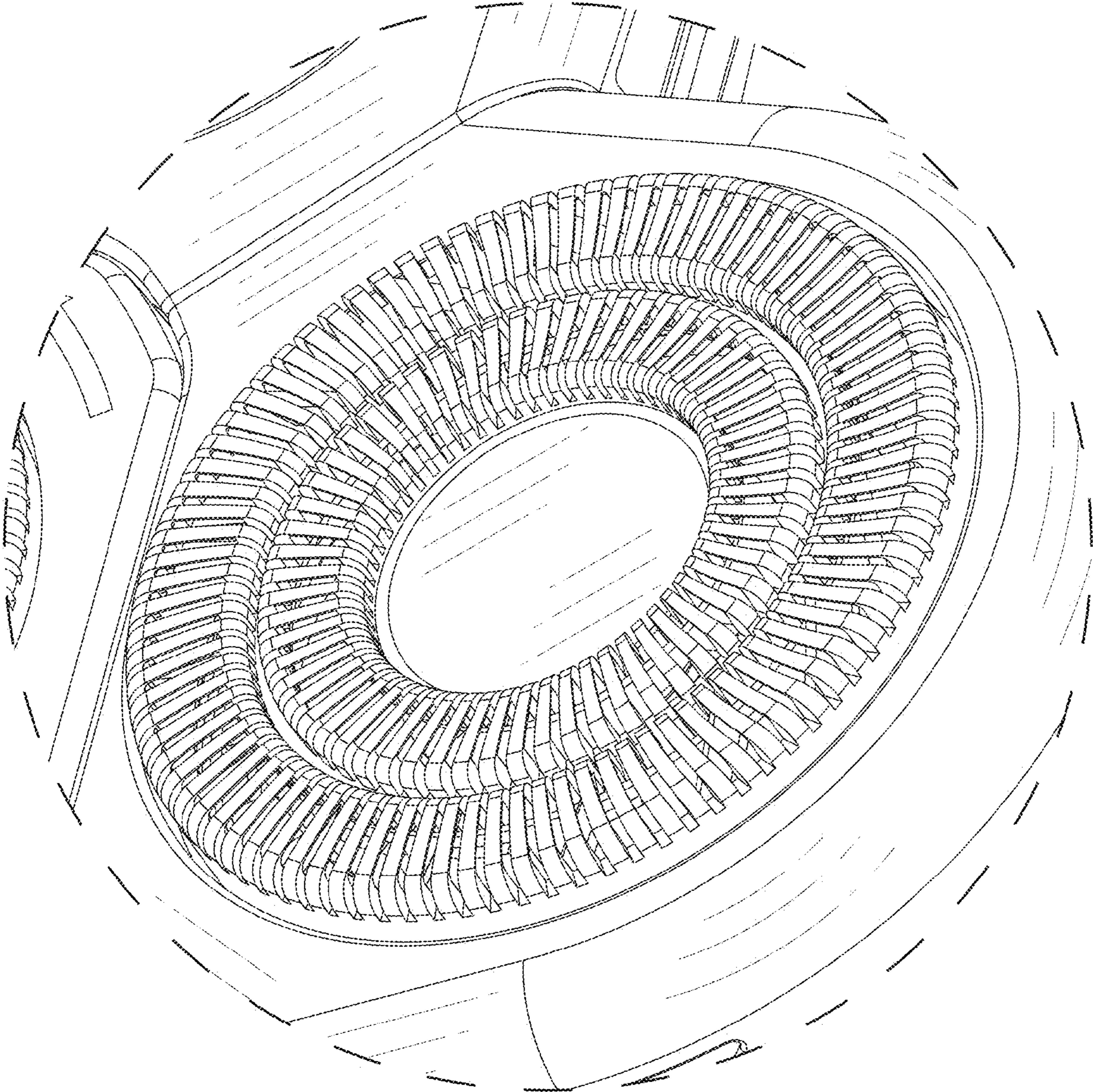


FIG.9