



US00D942077S

(12) **United States Design Patent**
Wei

(10) **Patent No.:** **US D942,077 S**
(45) **Date of Patent:** **** Jan. 25, 2022**

(54) **WAX MELTING POT**

(71) Applicant: **YUANTOUHUOSHUI (SHENZHEN) INNOVATION TECHNOLOGY CO., LTD.**, Shenzhen (CN)

(72) Inventor: **Jianbin Wei**, Jian'Ou (CN)

(73) Assignee: **YUANTOUHUOSHUI (SHENZHEN) INNOVATION TECHNOLOGY CO., LTD.**, Shenzhen (CN)

(**) Term: **15 Years**

(21) Appl. No.: **29/750,056**

(22) Filed: **Sep. 10, 2020**

(51) **LOC (13) Cl.** **28-03**

(52) **U.S. Cl.**
USPC **D28/44.1; D24/200**

(58) **Field of Classification Search**
USPC ... D28/9, 44, 44.1, 54.1, 56, 57, 58, 61, 99;
D23/240; D24/200, 204; D7/629, 709;
D9/424, 428
CPC A45D 29/00; A45D 29/18; A45D 29/20;
A45D 2200/205; A45D 2200/155; A45D
29/11; A45D 29/14; A45D 26/0014;
A45D 2026/008; F24H 9/02; A61F 7/007
See application file for complete search history.

(56) **References Cited**

U.S. PATENT DOCUMENTS

8,084,718 B1 * 12/2011 Shotey A61F 7/0085
219/428
D828,534 S * 9/2018 Hu D23/366

10,238,200 B2 * 3/2019 Bartlett H05B 1/0227
D876,655 S * 2/2020 Lin D24/200
D887,792 S * 6/2020 Basios D7/629
D912,458 S * 3/2021 Costacurta D7/367
11,033,090 B2 * 6/2021 Hodges A45D 26/0014
D933,294 S * 10/2021 Deng D28/44.1
2005/0079466 A1 * 4/2005 Thune F21V 35/00
431/291
2017/0354752 A1 * 12/2017 Banco A61L 9/02
2019/0168272 A1 * 6/2019 Fancher C11C 5/004

* cited by examiner

Primary Examiner — Jennifer Rivard
Assistant Examiner — Alison M Ofstun

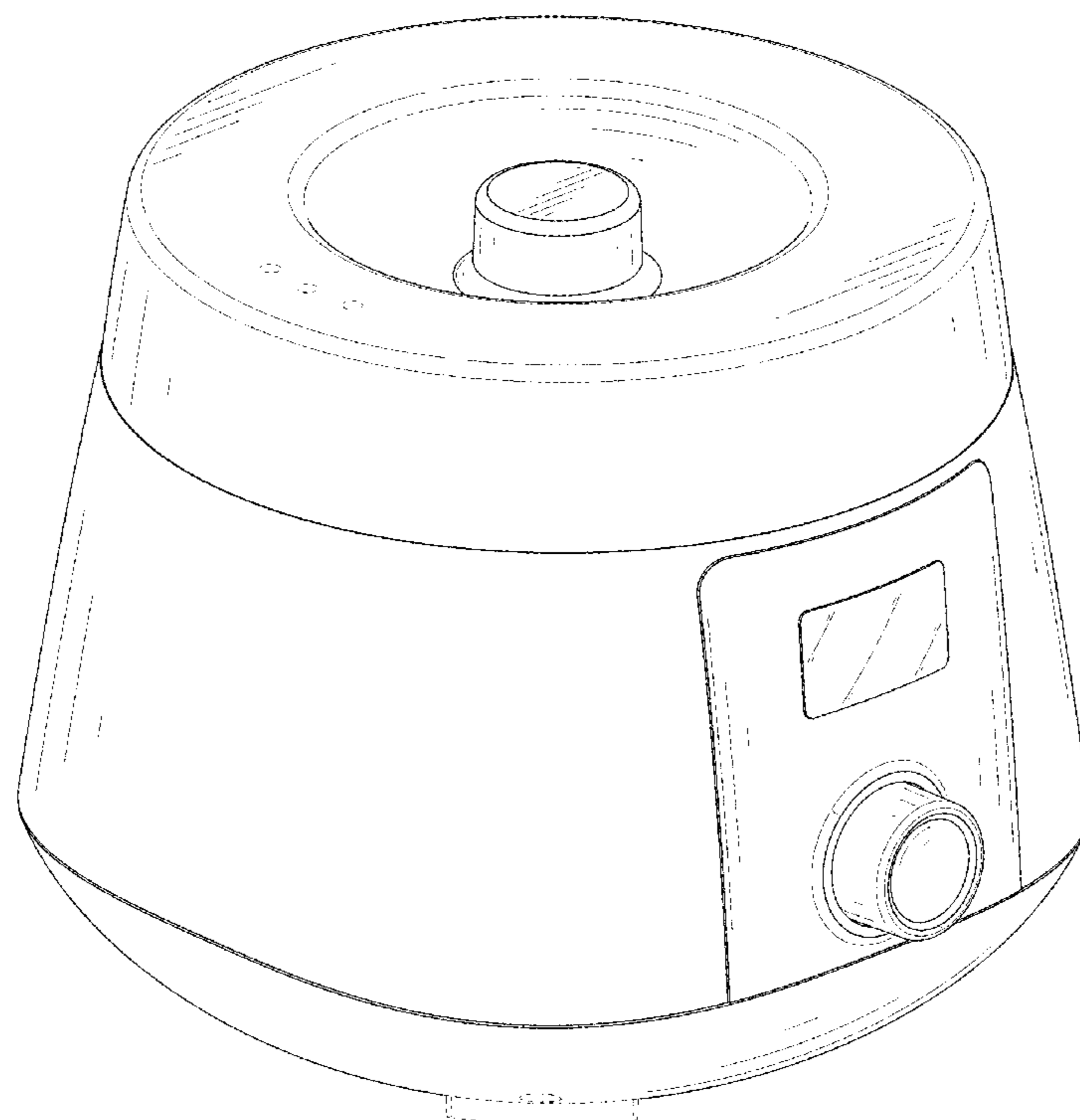
(57) **CLAIM**

The ornamental design for a wax melting pot, as shown and described.

DESCRIPTION

FIG. 1 is a perspective view of a wax melting pot showing my new design;
FIG. 2 is another perspective view thereof;
FIG. 3 is a front elevational view thereof;
FIG. 4 is a rear elevational view thereof;
FIG. 5 is a left side elevational view thereof;
FIG. 6 is a right side elevational view thereof;
FIG. 7 is a top plan view thereof; and,
FIG. 8 is a bottom plan view thereof.
The broken lines in the drawings depict portions of the wax melting pot that form no part of the claimed design.

1 Claim, 8 Drawing Sheets



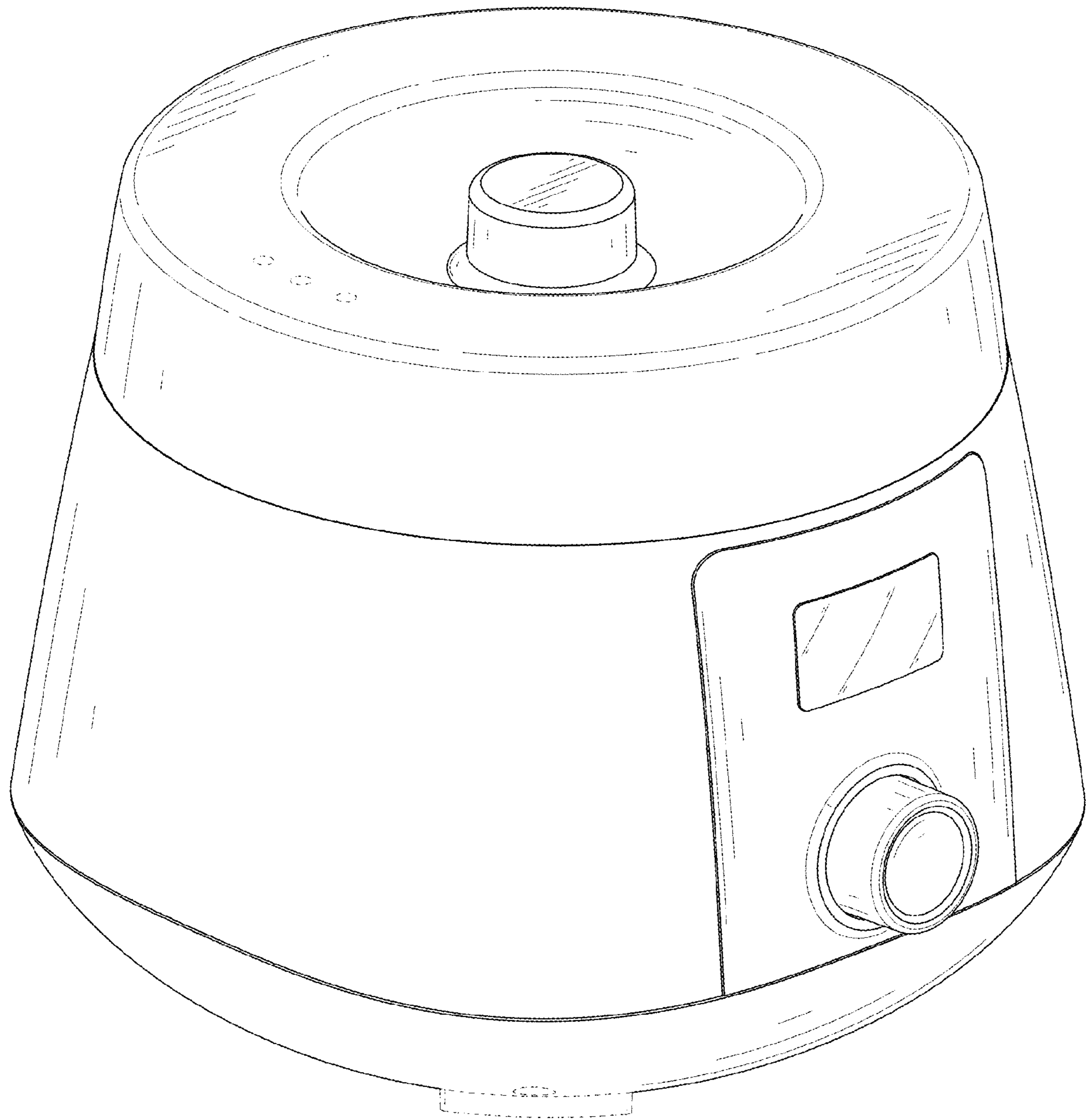


FIG. 1

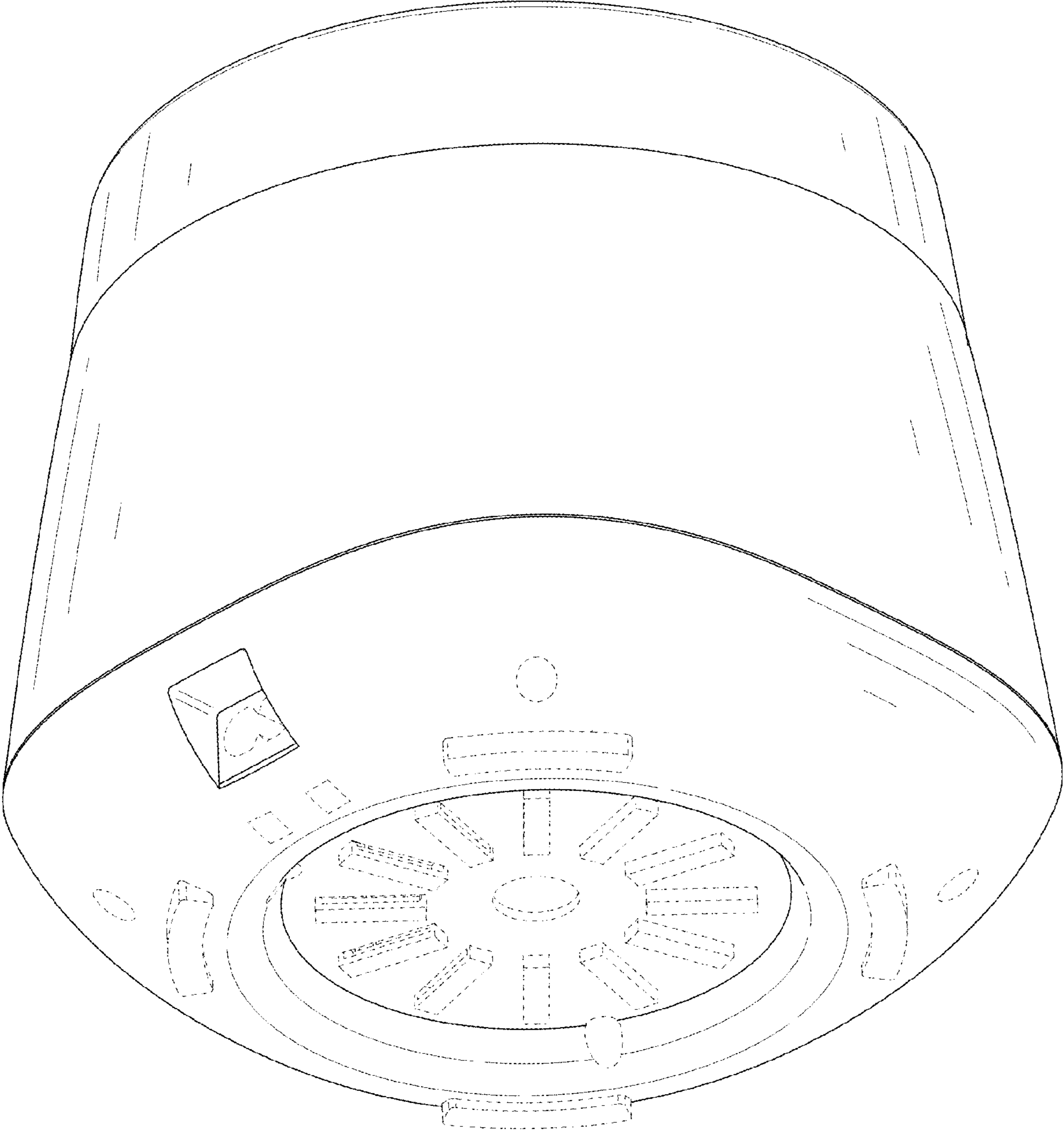


FIG. 2

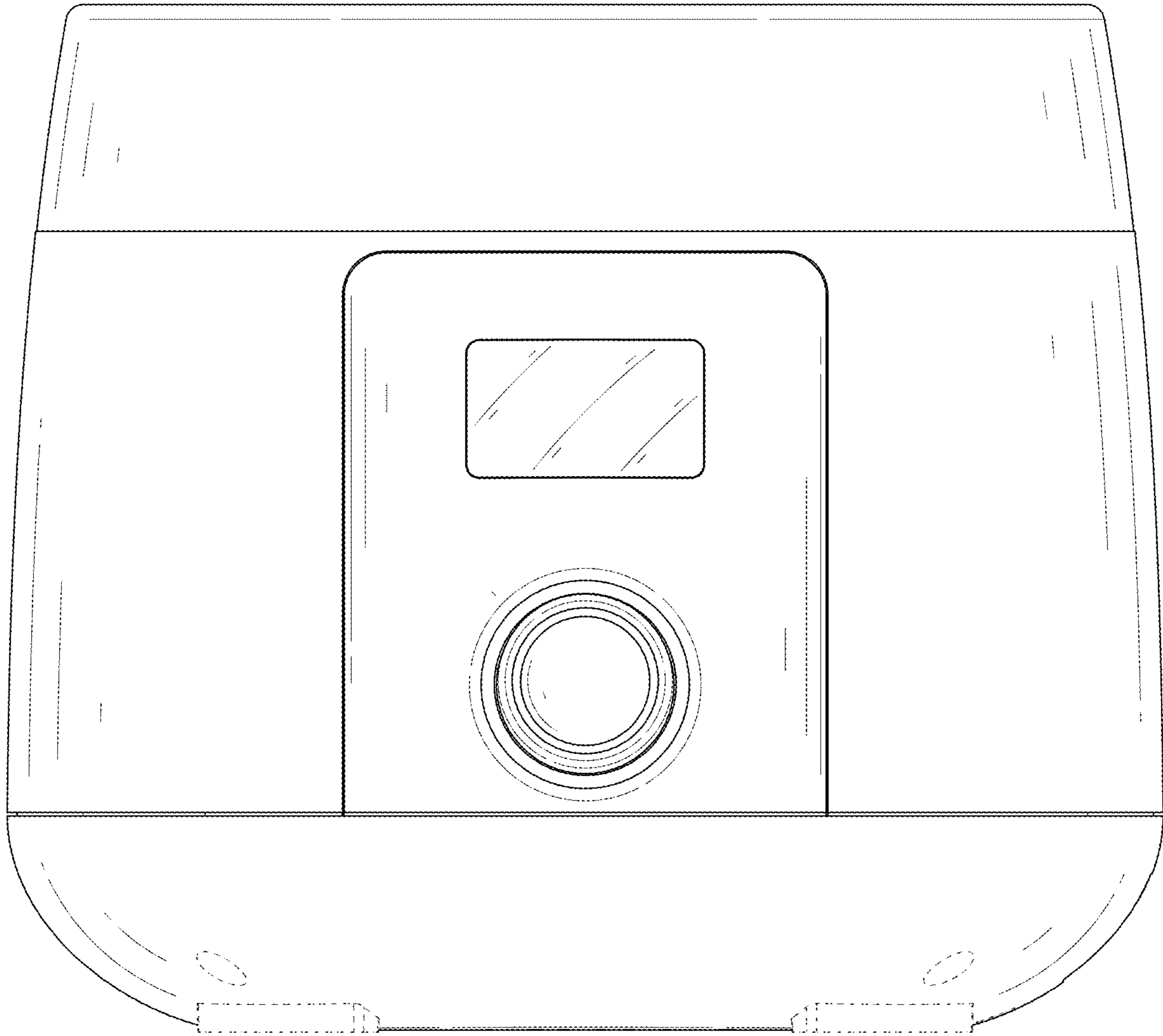


FIG. 3

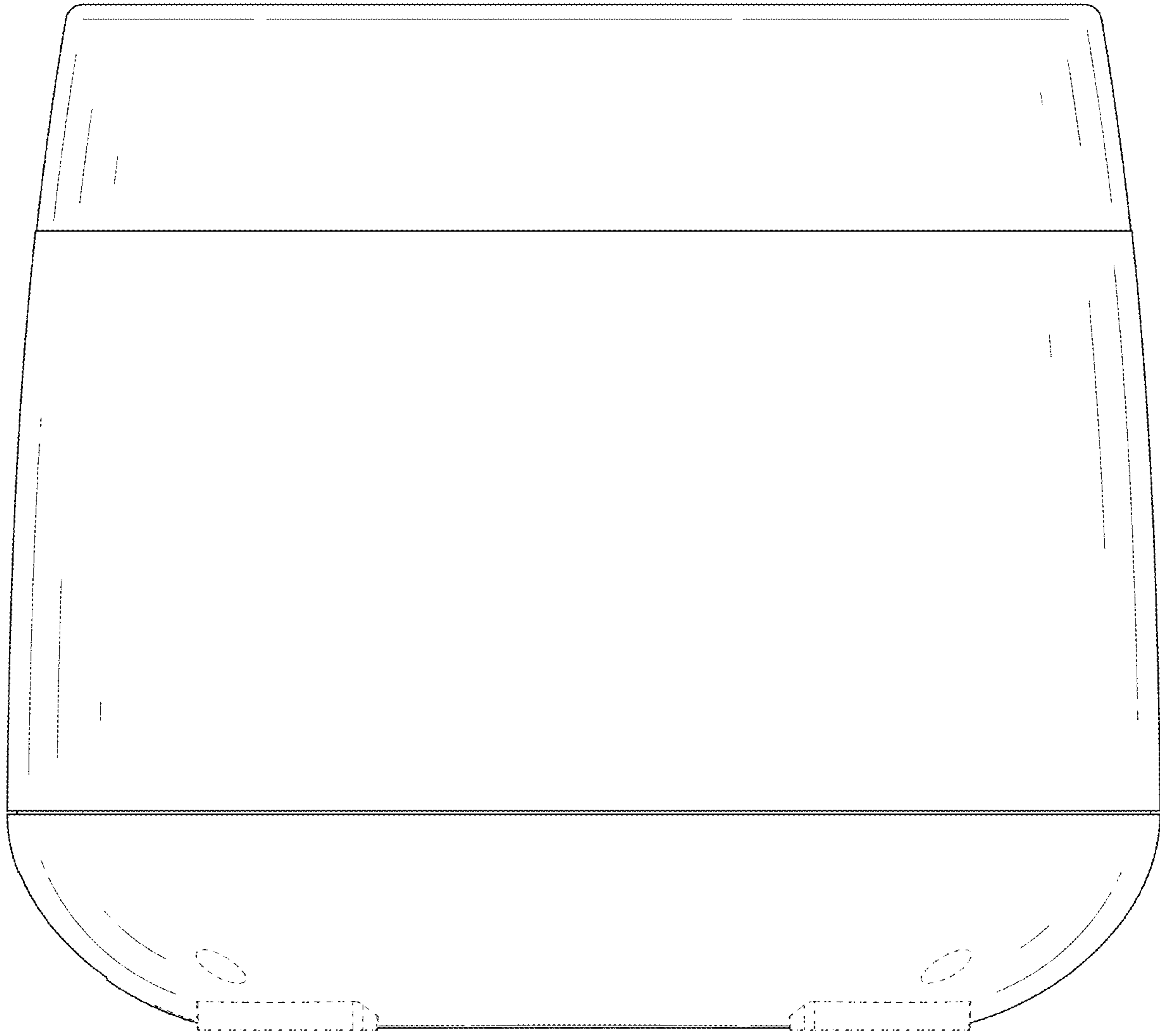


FIG. 4

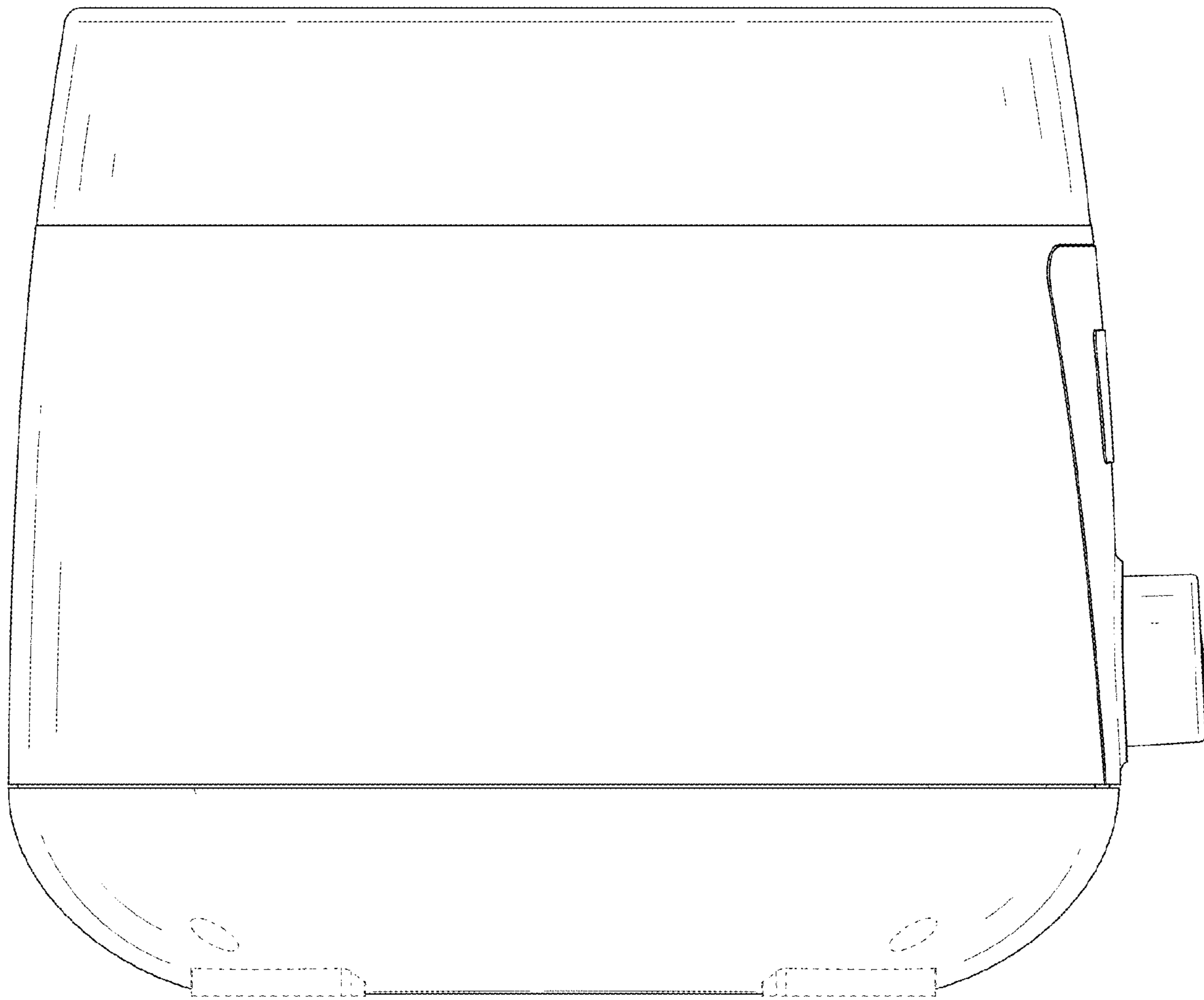


FIG. 5

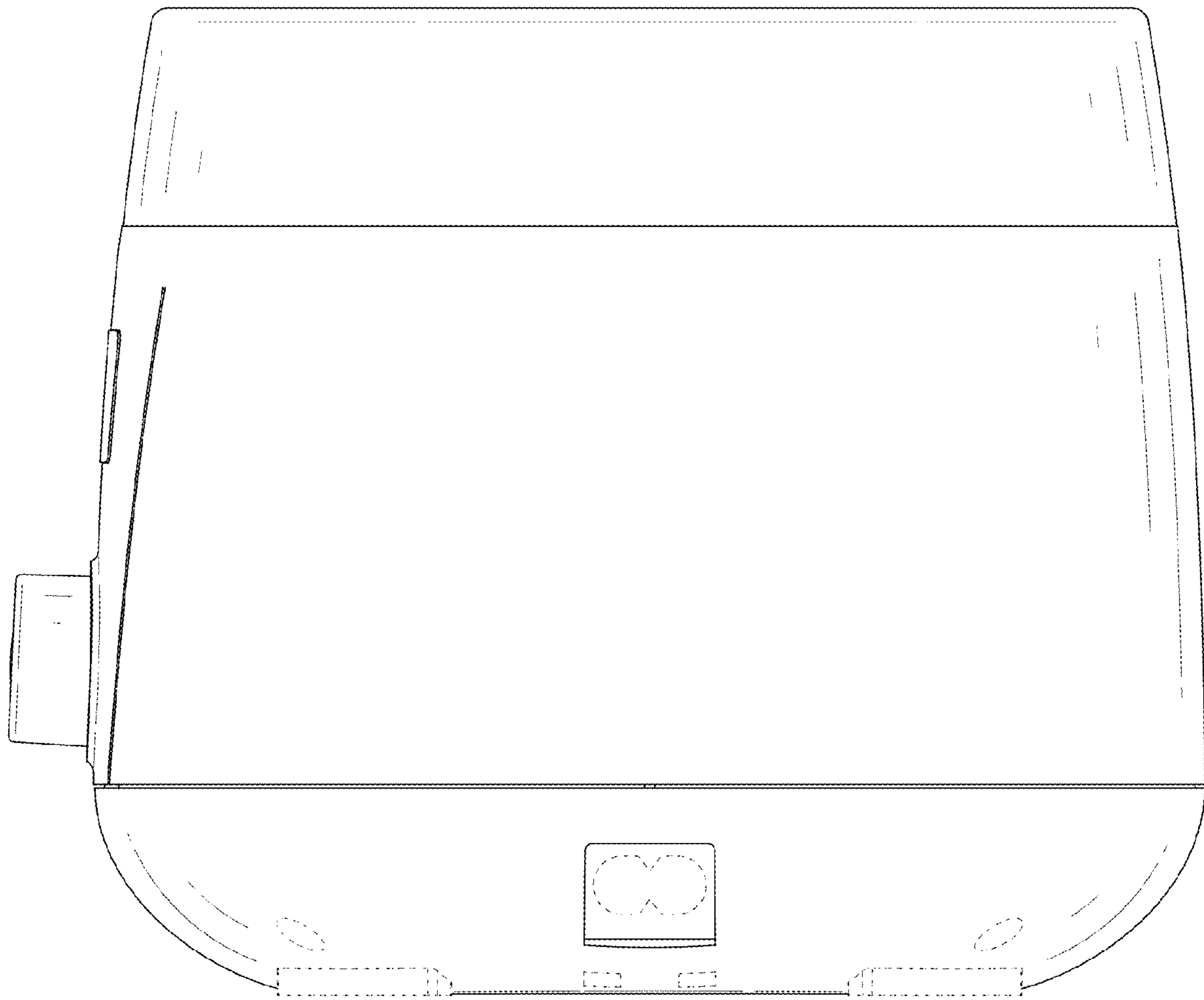


FIG. 6

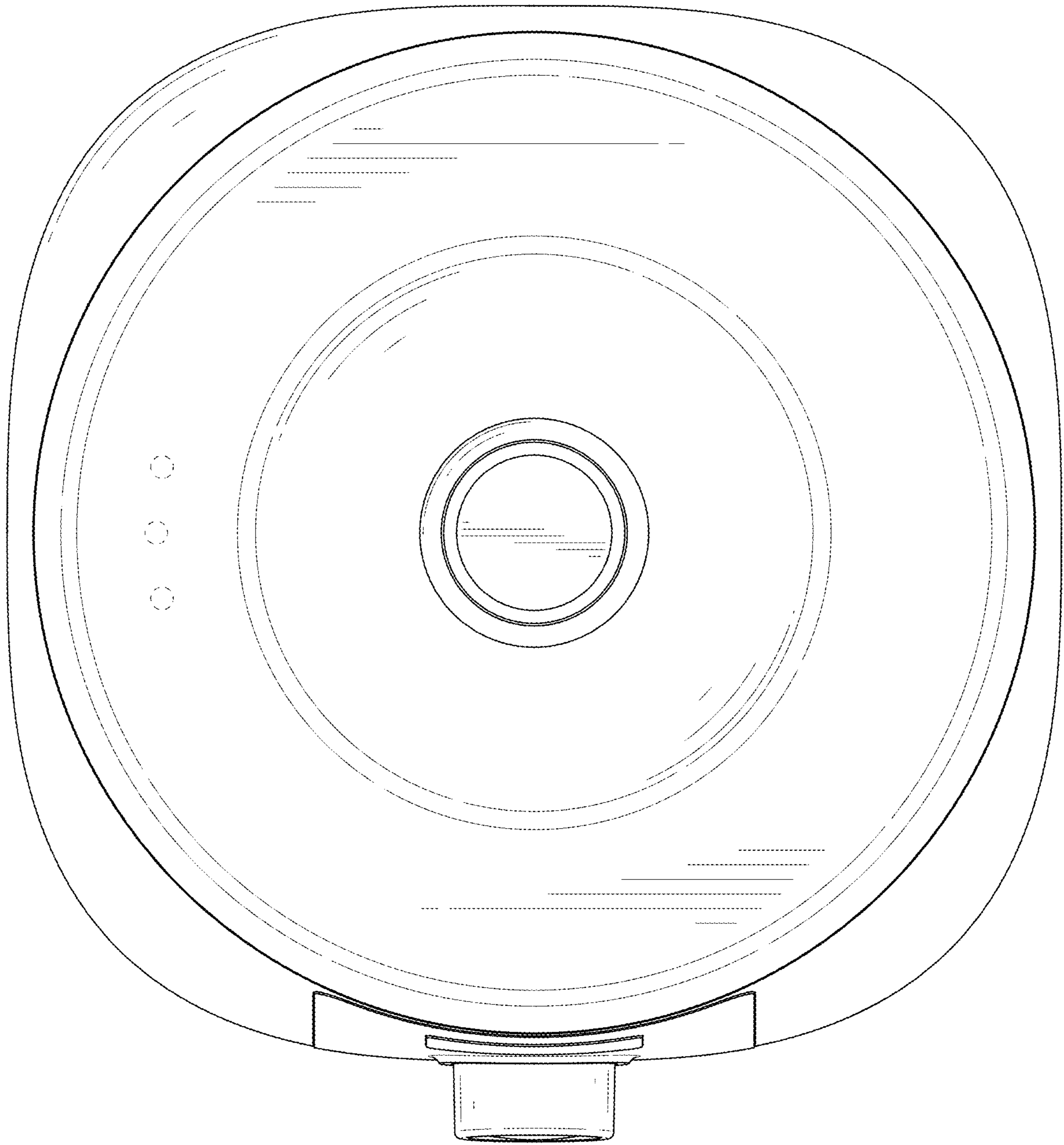


FIG. 7

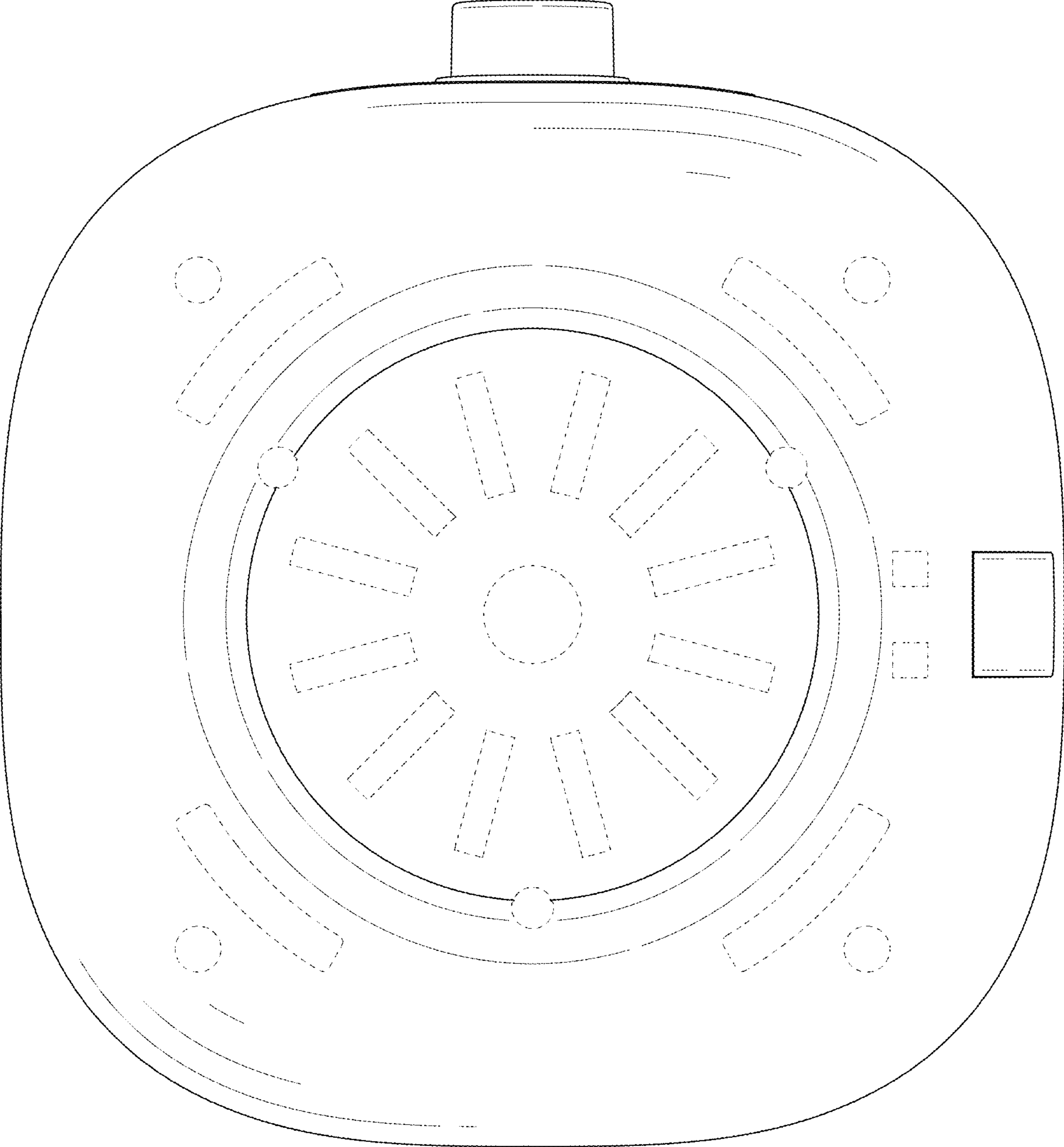


FIG. 8