

US00D942073S

(12) **United States Design Patent**
Huang

(10) **Patent No.:** **US D942,073 S**
(45) **Date of Patent:** **** Jan. 25, 2022**

(54) **HAIR DRYER BRUSH**

(71) Applicant: **Yubing Huang**, Guangdong (CN)

(72) Inventor: **Yubing Huang**, Guangdong (CN)

(**) Term: **15 Years**

(21) Appl. No.: **29/743,696**

(22) Filed: **Jul. 23, 2020**

(30) **Foreign Application Priority Data**

Jun. 9, 2020 (CN) 202030287582.2

(51) **LOC (13) Cl.** **28-03**

(52) **U.S. Cl.**
USPC **D28/35; D4/100; D28/15**

(58) **Field of Classification Search**
USPC D28/10, 12-16, 21, 25, 26, 35, 99;
D4/100

CPC A45D 33/00; A45D 33/22; A45D 33/24;
A45D 29/00; A45D 20/00; A45D 20/04;
A45D 20/08; A45D 20/48; A45D
2002/005; A45D 2/12; A45D 2/14; A45D
2/04; A45D 2/06; A45D 1/00; A45D
7/02; A45D 24/34; A45D 2024/345

See application file for complete search history.

(56) **References Cited**

U.S. PATENT DOCUMENTS

D383,245 S *	9/1997	Seifert	D28/13
8,490,633 B1 *	7/2013	Kennedy	A45D 20/00 132/228
D879,374 S *	3/2020	Liao	D28/13
D880,061 S *	3/2020	Liao	D28/15
D890,425 S *	7/2020	Liao	D28/13
D899,781 S *	10/2020	Liang	D4/100
D901,772 S *	11/2020	Huang	D28/35
D901,898 S *	11/2020	Zhanye	D4/102
D902,603 S *	11/2020	Zhanye	D4/102
D903,941 S *	12/2020	Koenemann	D28/35
D908,956 S *	1/2021	Kwok	D28/35

(Continued)

FOREIGN PATENT DOCUMENTS

WO WO-2016150092 A1 * 9/2016 A45D 20/50

OTHER PUBLICATIONS

Revlon One-Step Hair Dryer and Volumizing Hot Air Brush, Revlon, reviewed on Nov. 27, 2016, retrieved on Aug. 24, 2021, retrieved from the Internet URL: https://www.amazon.com/Revlon-One-Step-Dryer-Volumizer-Brush/dp/B01LSUQSB0/ref=sr_1_3?dchild=1&keywords=hot%2Bair%2Bcomb%2Brevlon&qid=1629817560&sr=8-3&th=1.*

(Continued)

Primary Examiner — Jennifer Rivard

Assistant Examiner — Alison M Ofstun

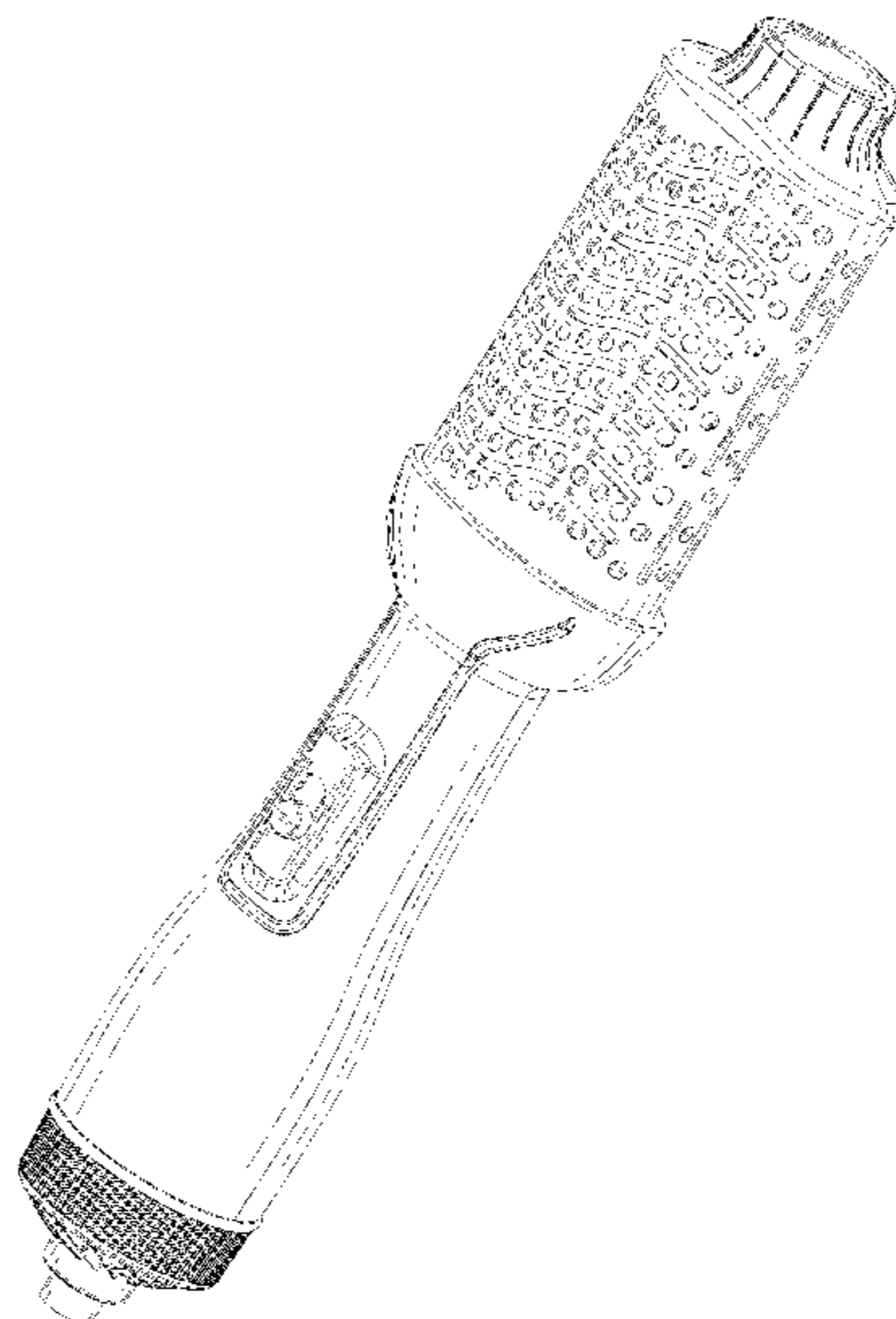
(57) **CLAIM**

The ornamental design for a hair dryer brush, as shown and described.

DESCRIPTION

FIG. 1 is a perspective view of a hair dryer brush showing my new design;
FIG. 2 is another perspective view thereof;
FIG. 3 is a front elevation view thereof;
FIG. 4 is a back elevation view thereof;
FIG. 5 is a left side view thereof;
FIG. 6 is a right side view thereof;
FIG. 7 is an enlarged top plan view thereof;
FIG. 8 is an enlarged bottom plan view thereof;
FIG. 9 is an enlarged view of portion “9” shown in FIG. 3;
FIG. 10 is an enlarged view of portion “10” shown in FIG. 3; and,
FIG. 11 is an enlarged view of portion “11” shown in FIG. 4.
The broken lines illustrate portions of the article and enlarged view indicators and form no part of the claimed design.

1 Claim, 11 Drawing Sheets



(56)

References Cited

U.S. PATENT DOCUMENTS

D916,368 S * 4/2021 Koenemann D28/35
D917,173 S * 4/2021 Li D4/100
D921,291 S * 6/2021 Zhang D28/35

OTHER PUBLICATIONS

L'Ange Hair Le Volume 2-in-1 Volumizing Brush, L'Ange Hair, first available on Apr. 14, 2020 amazon.com, retrieved on Aug. 23, 2021, retrieved from the Internet URL: https://www.amazon.com/Volumizing-Titanium-Finish-Smooth-Frizz-Free/dp/B08747JQ2Q/ref=sr_1_1_sspa?crid=UUMW29GJYRDG&dchild=1&keywords=l%27ange+hair+le+volu.*

JAMIEWYN Hair Dryer Brush, JAMIEWYN, first available Mar. 11, 2019 amazon.com, retrieved on Aug. 23, 2021, retrieved from the Internet URL: https://www.amazon.com/One-Step-Hot-Air-Brush/dp/B07PJMP732/ref=sr_1_5?dchild=1&keywords=hot+air+brush+jamiewin&qid=1629827193&sr=8-5.*

* cited by examiner

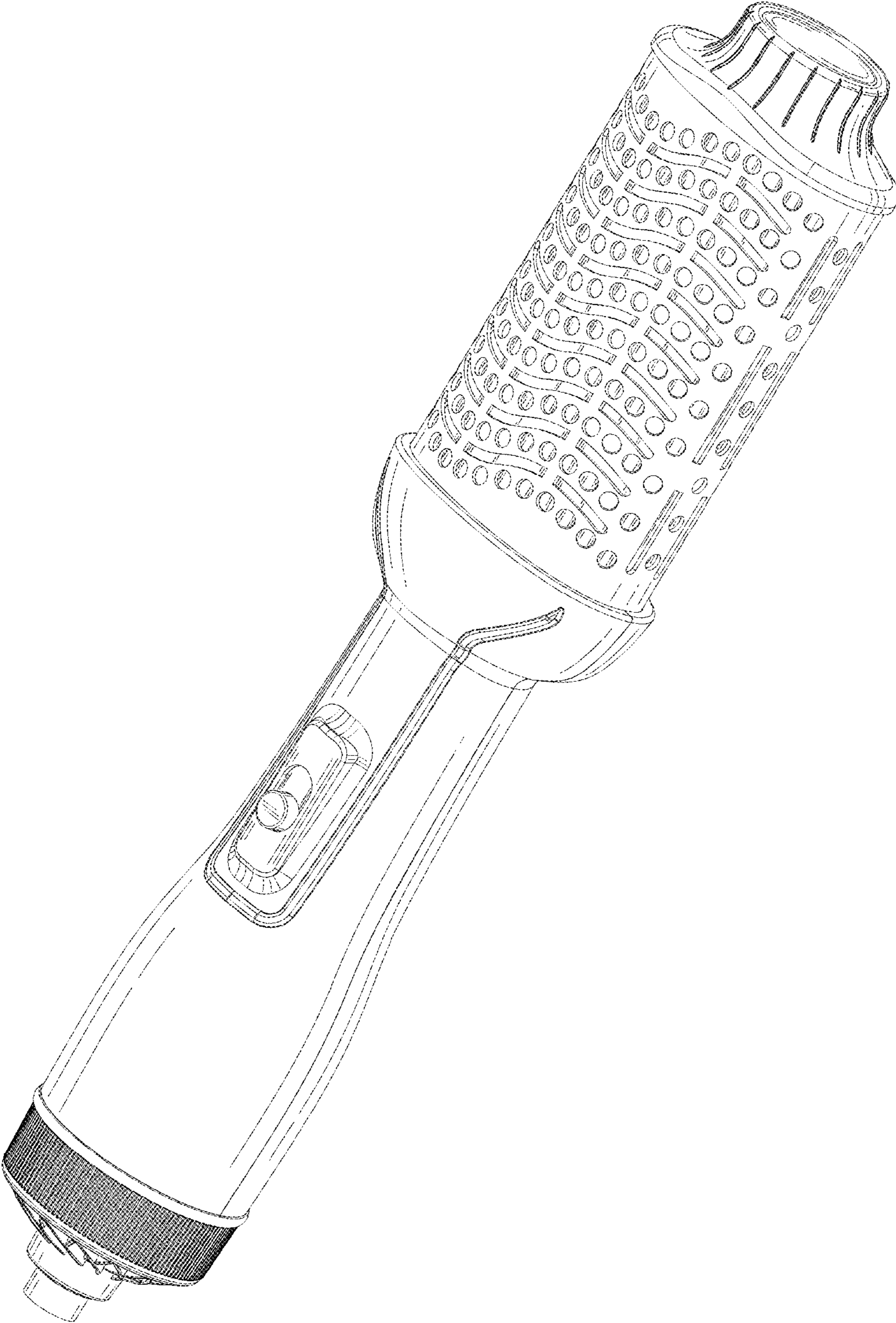


FIG. 1

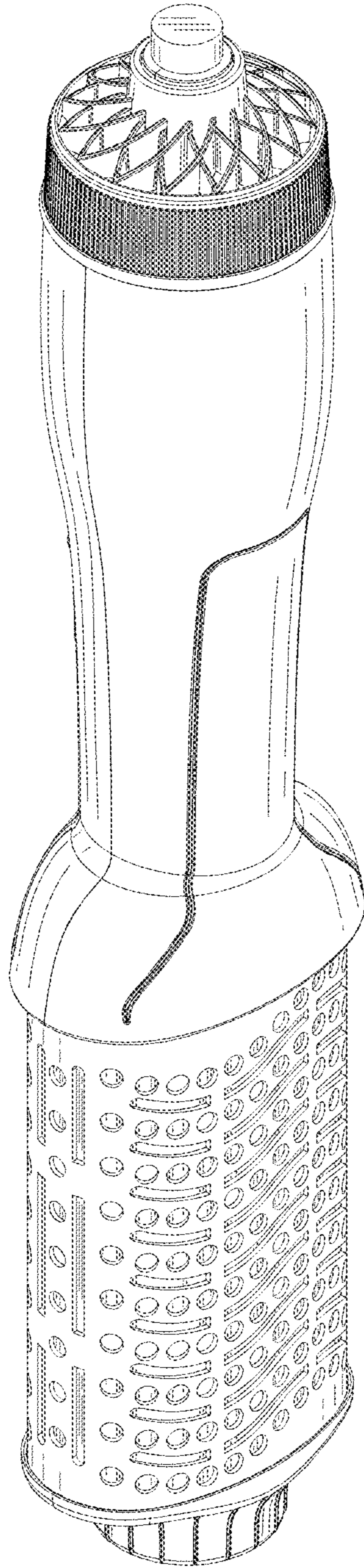


FIG. 2

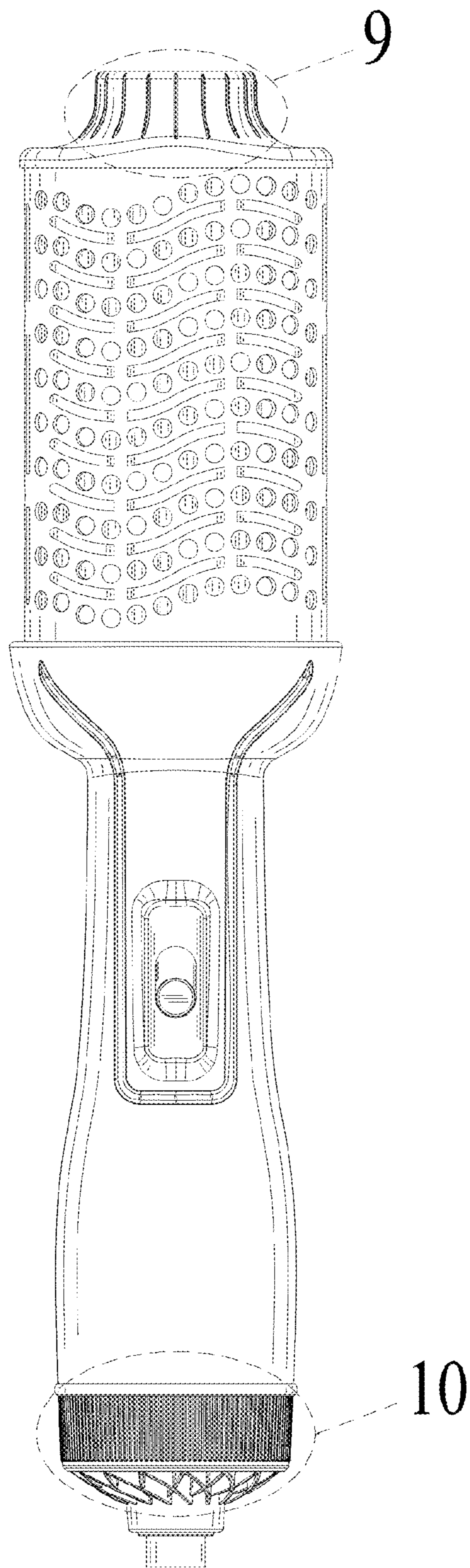


FIG. 3

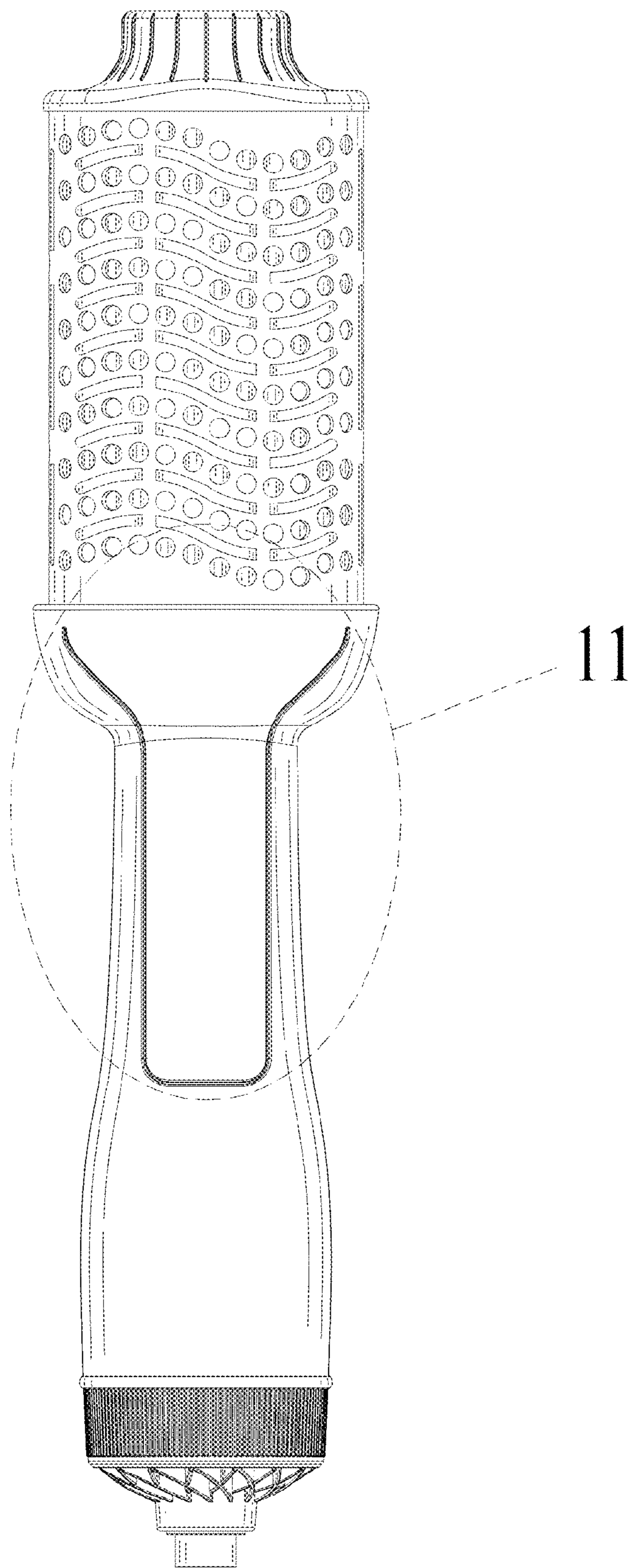


FIG. 4

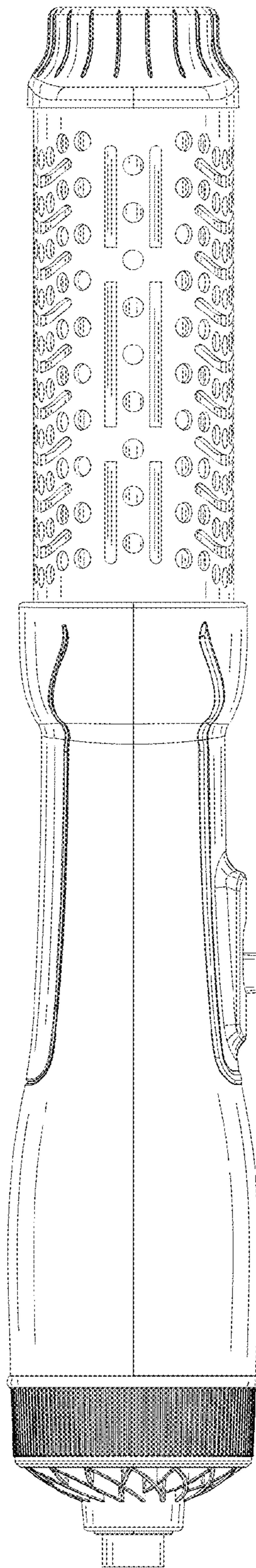


FIG. 5

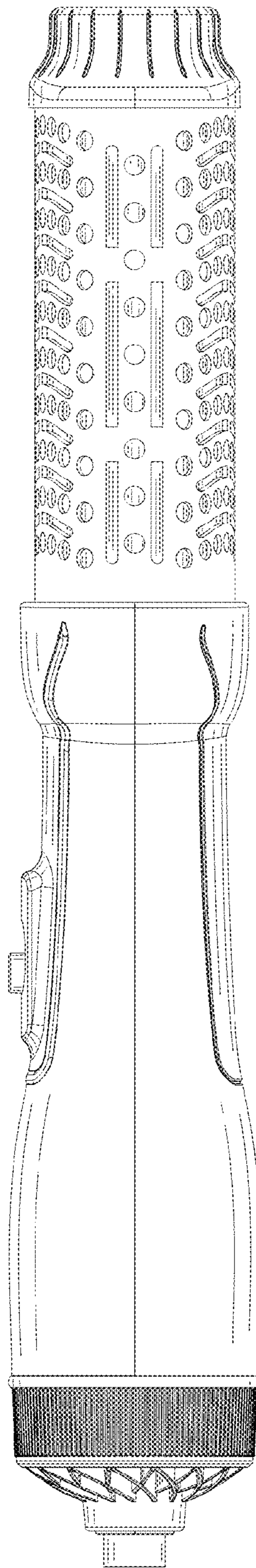


FIG. 6

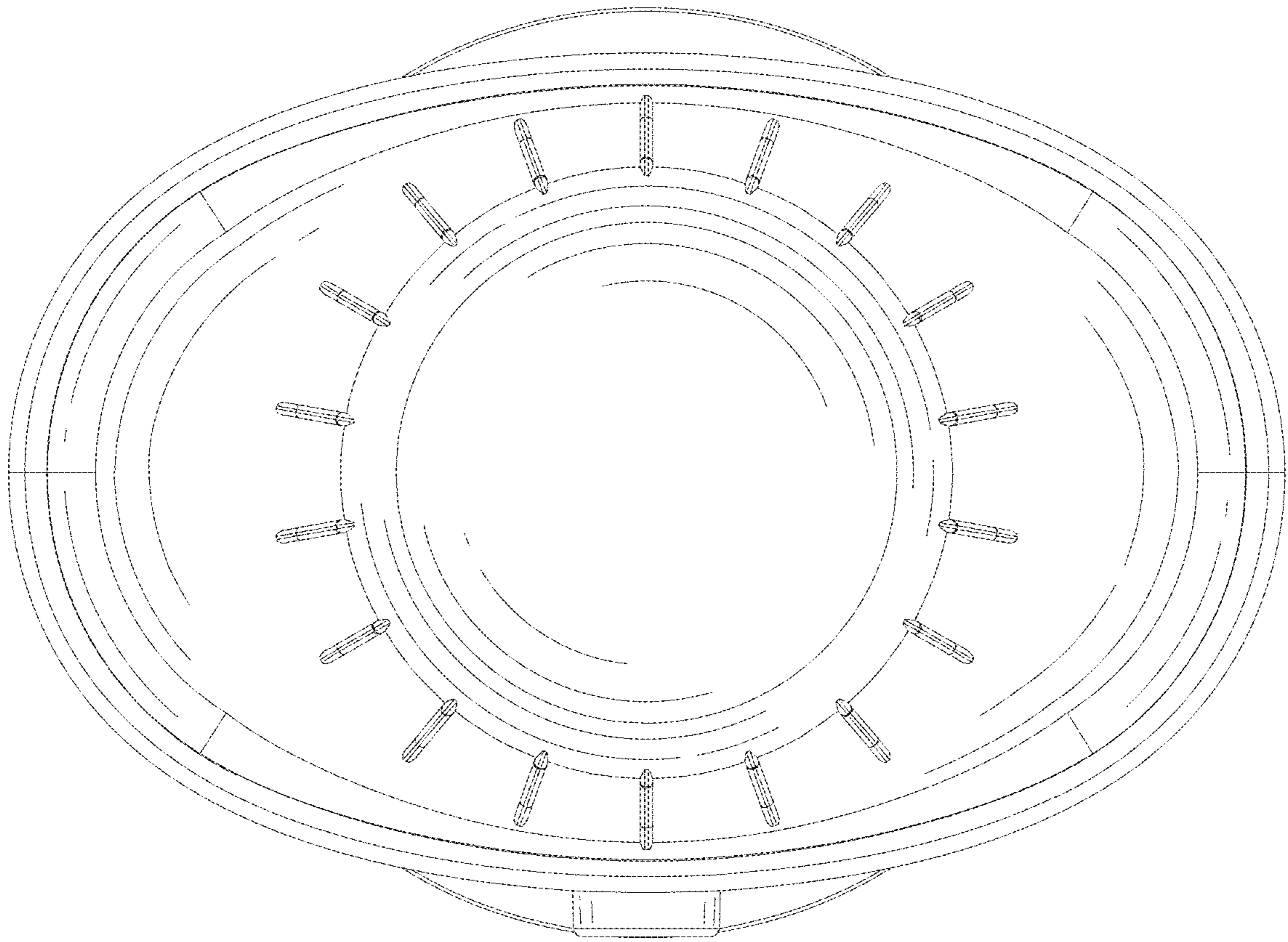


FIG. 7

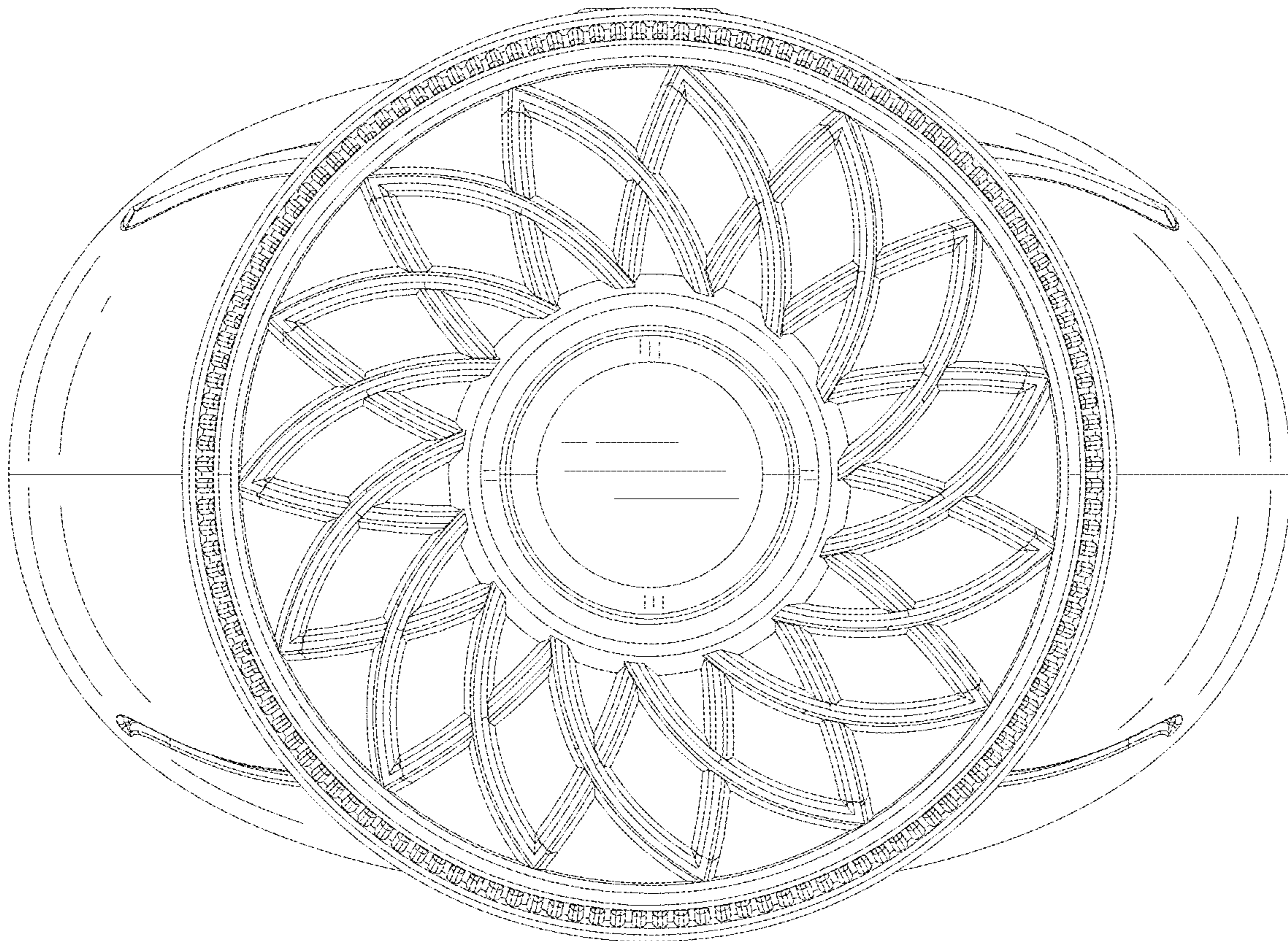


FIG. 8

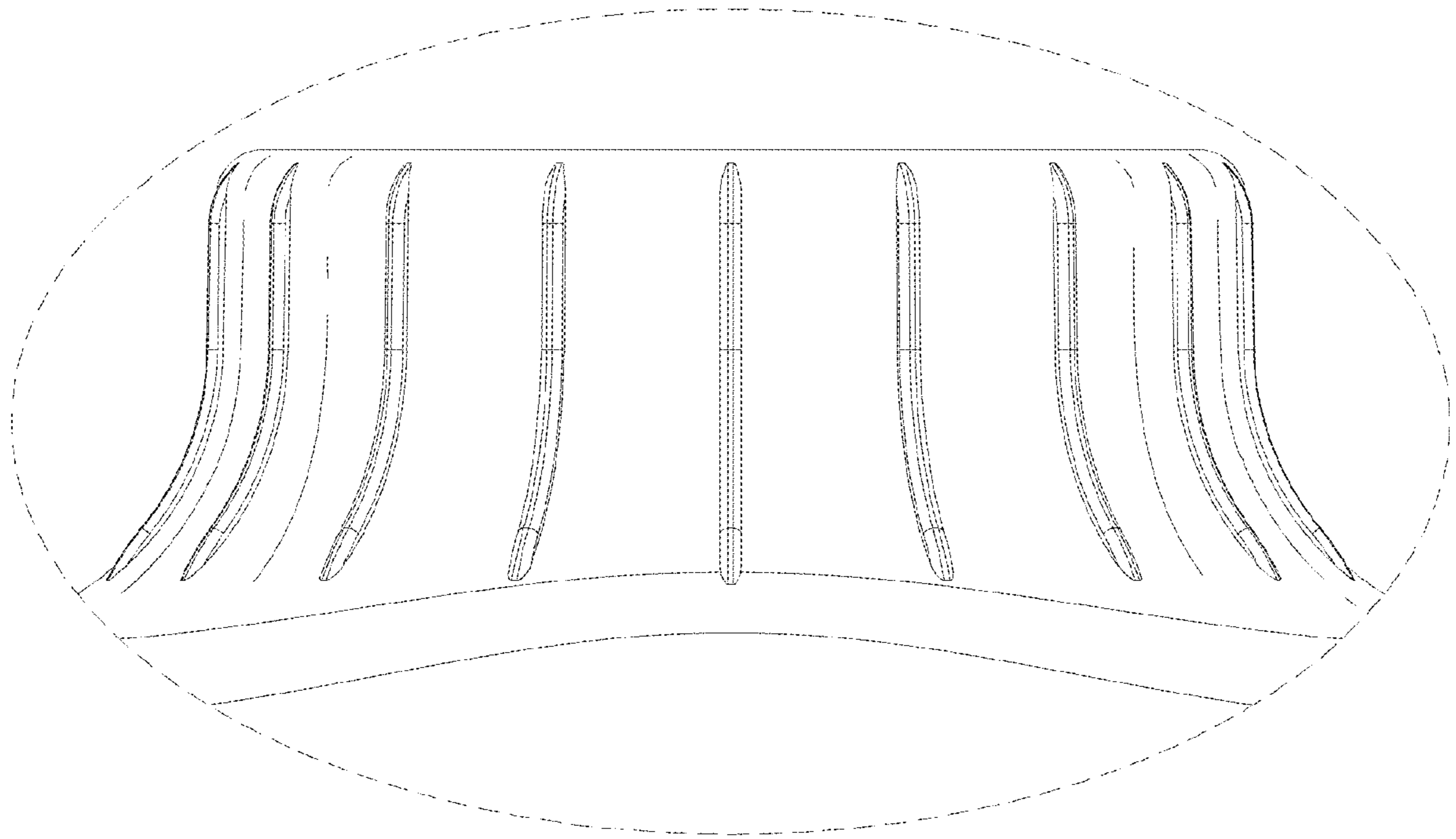


FIG. 9

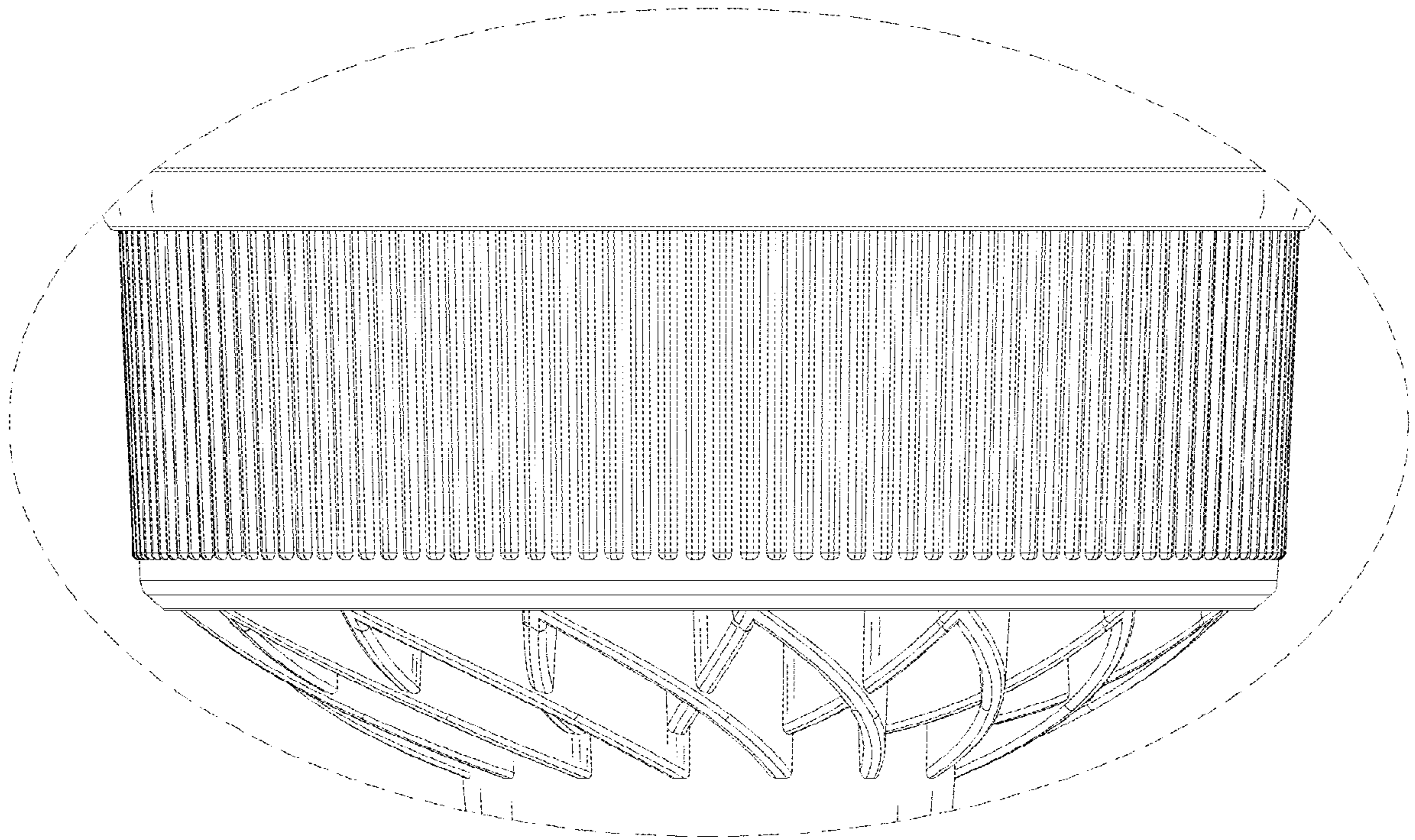


FIG. 10

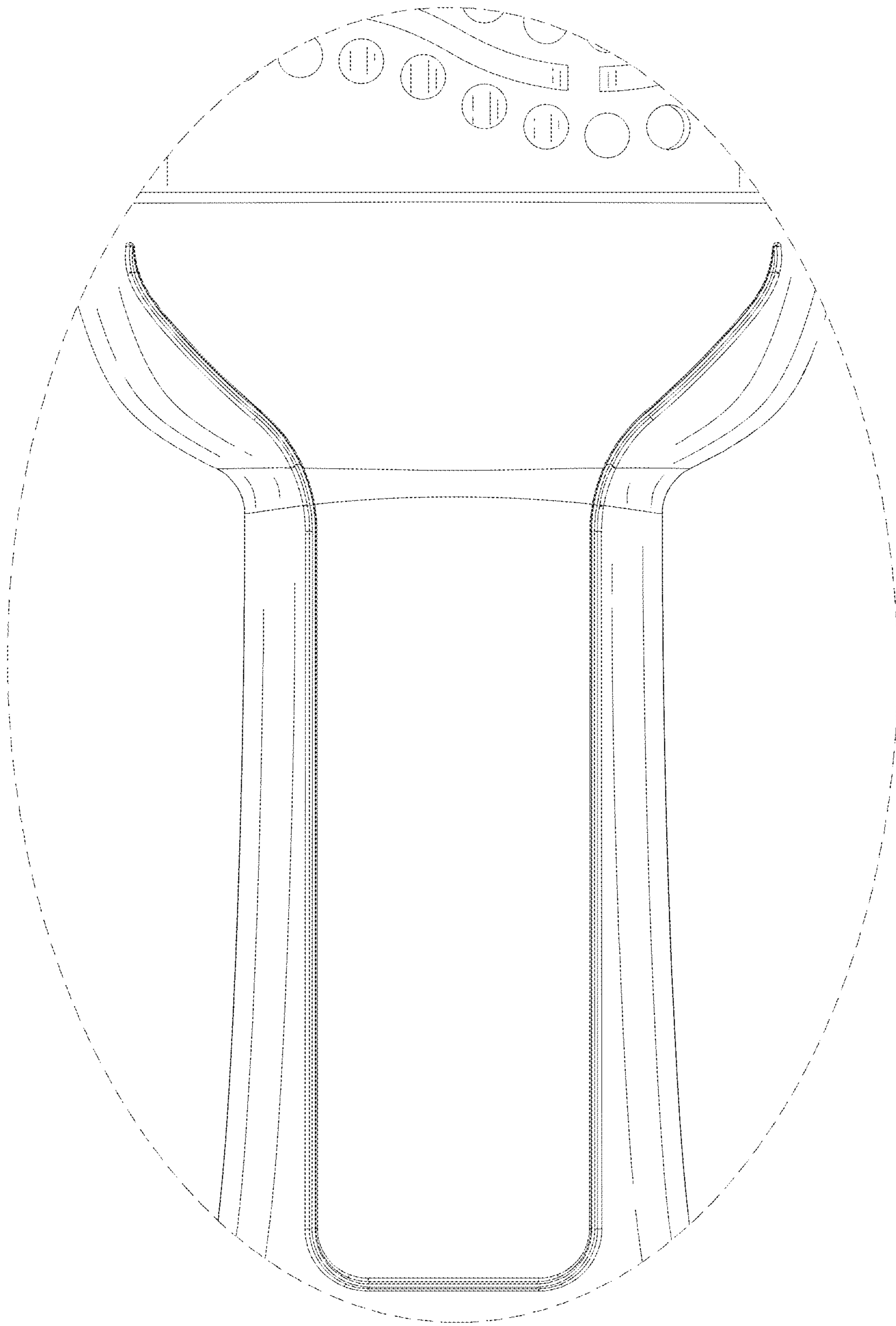


FIG. 11