



US00D942068S

(12) **United States Design Patent** (10) **Patent No.:** **US D942,068 S**
Wilson et al. (45) **Date of Patent:** **** Jan. 25, 2022**

(54) **INHALANT DISPENSER**
(71) Applicant: **Loop Laboratories, LLC**, Chicago, IL (US)
(72) Inventors: **Scott H. Wilson**, Chicago, IL (US); **Matteo Iavicoli**, Chicago, IL (US); **Greg Ettenson**, Austin, TX (US); **Keith Alsberg**, Evanston, IL (US)
(73) Assignee: **Loop Laboratories, LLC**, Chicago, IL (US)
(**) Term: **15 Years**
(21) Appl. No.: **29/715,433**
(22) Filed: **Dec. 2, 2019**
(51) **LOC (13) Cl.** **27-02**
(52) **U.S. Cl.**
USPC **D27/162**
(58) **Field of Classification Search**
USPC D27/100, 101, 162, 163, 164, 165, 167, D27/168, 169, 170, 171, 172, 173, 174, D27/175, 176, 177, 178, 179, 180, 181, D27/182, 183, 184, 185, 186, 187, 188, D27/189, 190, 191, 192, 193; D24/110, D24/110.2, 110.5, 110.6; D28/91.1; D19/115, 116, 117, 118, 119, 120, 130, D19/50, 170, 174, 66
CPC A24F 47/008; A24F 40/10; A24F 40/40; A24F 40/42; A24F 40/46; A24F 47/00; A24F 40/44; A24F 40/50; A24F 40/90; A24F 40/485; A24F 40/70; A24F 40/60; A24F 47/002; A24F 40/48; A24F 40/51; A24F 40/53; A24F 40/57; A24F 40/65; A24F 7/00; A24F 40/20; A24F 40/05; A24F 40/30; A24F 7/02; A24F 7/04; A24F 15/015; A24F 1/32; A24F 40/00; A24F 40/49; A24F 40/85; A24F 40/95; A24F

(Continued)

(56) **References Cited**
U.S. PATENT DOCUMENTS
D261,010 S * 9/1981 Itoh D19/168
D267,655 S * 1/1983 Verona D19/169
(Continued)

FOREIGN PATENT DOCUMENTS
CN 201830733201.1 * 7/2019
CN 201930123132.7 * 10/2019
(Continued)

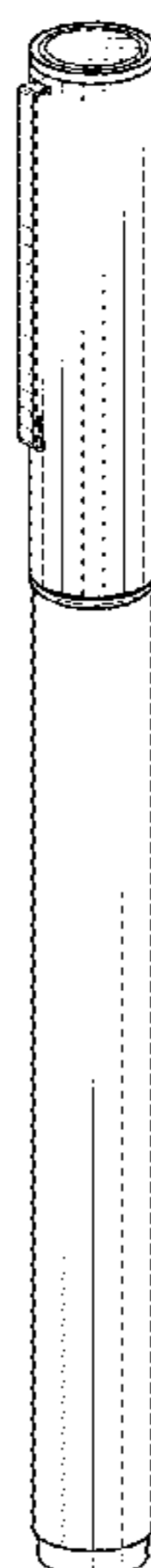
OTHER PUBLICATIONS
Black Box. By Rove. Dated Apr. 13, 2020. Found online [Dec. 21, 2020].<https://rovebrand.com/blackbox/> (Year: 2020).*
(Continued)

Primary Examiner — Marissa J Cash
Assistant Examiner — William B Melliar
(74) *Attorney, Agent, or Firm* — Neal, Gerber & Eisenberg LLP

(57) **CLAIM**
The ornamental design for an inhalant dispenser, as shown and described.

DESCRIPTION
FIG. 1 is an exploded, front perspective view of an inhalant dispenser.
FIG. 2 is a front perspective view of the inhalant dispenser.
FIG. 3 is a front elevation view thereof.
FIG. 4 is a rear elevation view thereof.
FIG. 5 is a first side elevation view thereof, the other side elevation view being a mirror image thereof.
FIG. 6 is a top plan view thereof; and,
FIG. 7 is a bottom plan view thereof.
The broken lines represent portions of the inhalant dispenser that form no part of the claimed design.

1 Claim, 4 Drawing Sheets



(58) **Field of Classification Search**

CPC . 42/60; A24F 40/465; A24F 1/00; A24F 1/02;
 A24F 47/004; A24F 9/16; A24F 42/20;
 A24F 15/01; A61M 11/042; A61M 15/06;
 A61M 2205/8206; A61M 2205/3653;
 A61M 2016/0024; A61M 11/005; A61M
 2016/0027; A61M 2205/587; A61M
 11/003; A61M 11/044; A61M 15/002;
 A61M 15/0085; A61M 16/0003; A61M
 2205/3368; A61M 2205/8256; A61M
 11/001; A61M 15/0021; A61M
 2016/0018; A61M 2016/0021; A61M
 2021/0016; A61M 2205/8268; A61M
 2209/02; A61M 11/041; A61M 15/0025;
 A61M 15/008; A61M 2016/0033; A61M
 2016/0039; A61M 21/00; A61M
 2205/0211; A61M 2205/3331; A61M
 2205/3334; A61M 2205/3379; A61M
 2205/52; A61M 2205/58; A61M
 2205/583; A61M 2205/6018; A61M
 2205/6054; A61M 2205/75; A61M
 2206/11; A61M 2206/20; A61M
 2209/045; A61M 11/04; A61M 11/02;
 A61M 15/0001; A61M 2205/42; A61M
 35/003; A61M 35/25; A61M 11/00;
 A61M 11/002; A61M 11/006; A61M
 11/007; A61M 11/06; A61M 5/00; A61M
 15/0028; A61M 15/0065; A61M 15/0066;
 A61M 15/0091; A61M 15/0095; A61M
 16/06; A61M 2016/0036; A61M
 2202/0007; A61M 2202/0468; A61M
 2205/0238; A61M 2205/0288; A61M
 2205/07; A61M 2205/103; A61M
 2205/12; A61M 2205/18; A61M
 2205/3317; A61M 2205/3327; A61M
 2205/3337; A61M 2205/3372; A61M
 2205/3375; A61M 2205/3569; A61M
 2205/3592; A61M 2205/50; A61M
 2205/581; A61M 2205/6009; A61M
 2205/8243; A61M 2205/8262; A61M
 2206/16; A61M 2206/18; A61M 2207/00;
 A61M 2209/086; A61M 2209/10; A61M
 2210/04; A61M 2210/0612; A61M
 2230/42; A61M 2240/00; A61M 35/30;
 A61M 39/24; A24B 15/167; A24B 15/16;
 A24B 15/18; A24B 15/303; A24B
 15/308; A24B 15/34

See application file for complete search history.

(56) **References Cited**

U.S. PATENT DOCUMENTS

D267,982 S * 2/1983 Kennedy D19/169
 D267,984 S * 2/1983 Ballereaud D19/933

D286,790 S * 11/1986 Bove D19/164
 D311,774 S * 10/1990 Lax D24/224
 D365,851 S * 1/1996 Reynolds D19/196
 D406,387 S * 3/1999 Smithey D27/189
 D409,327 S * 5/1999 Brock D19/170
 D467,970 S * 12/2002 Beneyto D19/169
 D522,689 S * 6/2006 Bores D27/136
 D611,098 S * 3/2010 Collin D19/169
 D678,944 S * 3/2013 Xie D19/167
 D679,322 S * 4/2013 Martin D19/168
 D700,656 S * 3/2014 Schweig D19/168
 D728,689 S * 5/2015 Ikeda D19/168
 D739,598 S * 9/2015 Lavanchy D27/100
 D755,440 S * 5/2016 Collen D27/163
 D774,247 S * 12/2016 Chen D27/101
 D784,609 S * 4/2017 Liu D27/101
 D797,369 S * 9/2017 Yamada D27/101
 D803,475 S * 11/2017 Scheiber D27/101
 D804,091 S * 11/2017 Fornarelli D27/101
 D805,246 S * 12/2017 Fakhouri D27/101
 D814,102 S * 3/2018 Lehoux D27/101
 D832,498 S * 10/2018 Chen D27/101
 D857,983 S * 8/2019 Bramley D27/101
 D873,345 S * 1/2020 Morrison D19/164
 D873,479 S * 1/2020 Lehoux D27/167
 D874,058 S * 1/2020 Liu D27/162
 D880,059 S * 3/2020 Goldstein D27/177
 D881,275 S * 4/2020 Xie D19/163
 D893,798 S * 8/2020 Liu D27/162
 D903,763 S * 12/2020 Zhang D19/196
 D907,289 S * 1/2021 Stewart D27/162
 D912,889 S * 3/2021 Liu D27/162
 D914,272 S * 3/2021 Bramley D27/101
 D919,173 S * 5/2021 Li D27/162

FOREIGN PATENT DOCUMENTS

CN 201930177798.0 * 11/2019
 CN 201930587355.9 * 6/2020
 GB 4041366 * 7/2015

OTHER PUBLICATIONS

Special K. By Kandypens. Dated Dec. 30, 2017. Found online [Dec. 21, 2020], <https://www.kandypens.com/special-k/> (Year: 2017).*

Marvy Calligraphy Pen. By Marvy. Dated Sep. 29, 2016. Found online [Mar. 15, 2021], <https://www.amazon.com/Marvy-Calligraphy-Pen-2-0-Black/dp/B0029009JC> (Year: 2016).*

Black Ballpoint Pen with a Green Cap. By inside1703. Dated Oct. 25, 2020. Found online [Mar. 15, 2021], <https://depositphotos.com/203793200/stock-photo-black-ballpoint-pen-green-cap.html> (Year: 2020).*

* cited by examiner

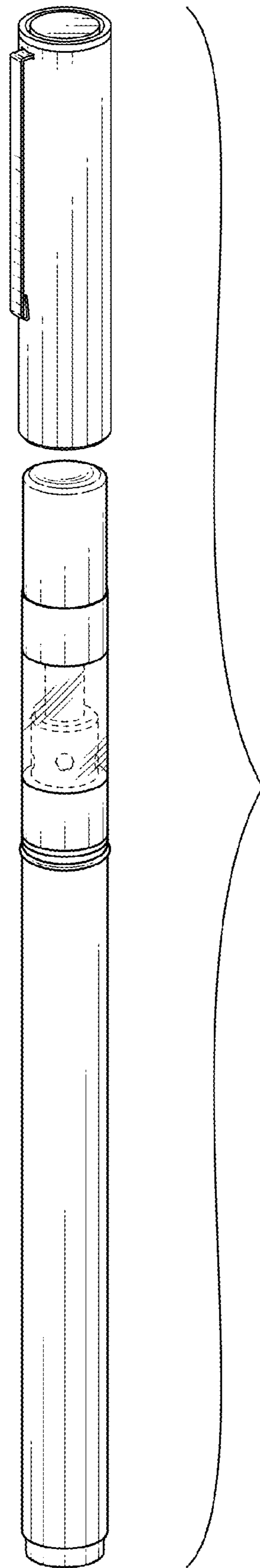


FIG. 1

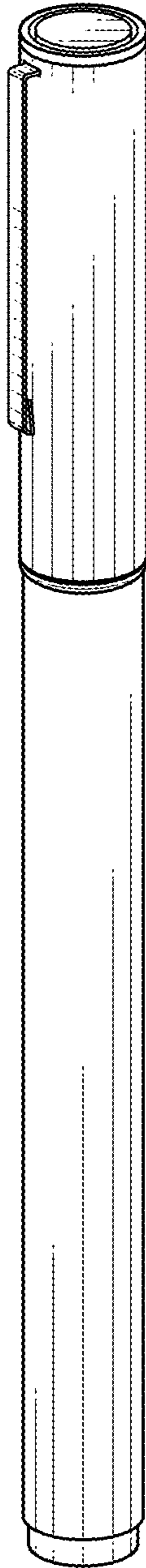


FIG. 2

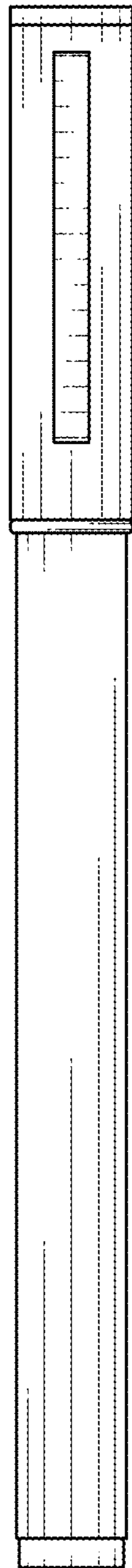


FIG. 3

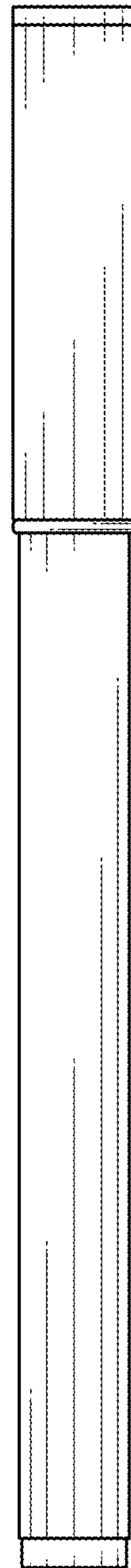


FIG. 4

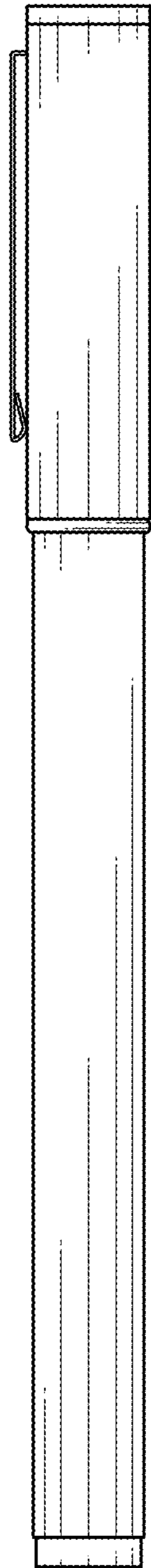


FIG. 5

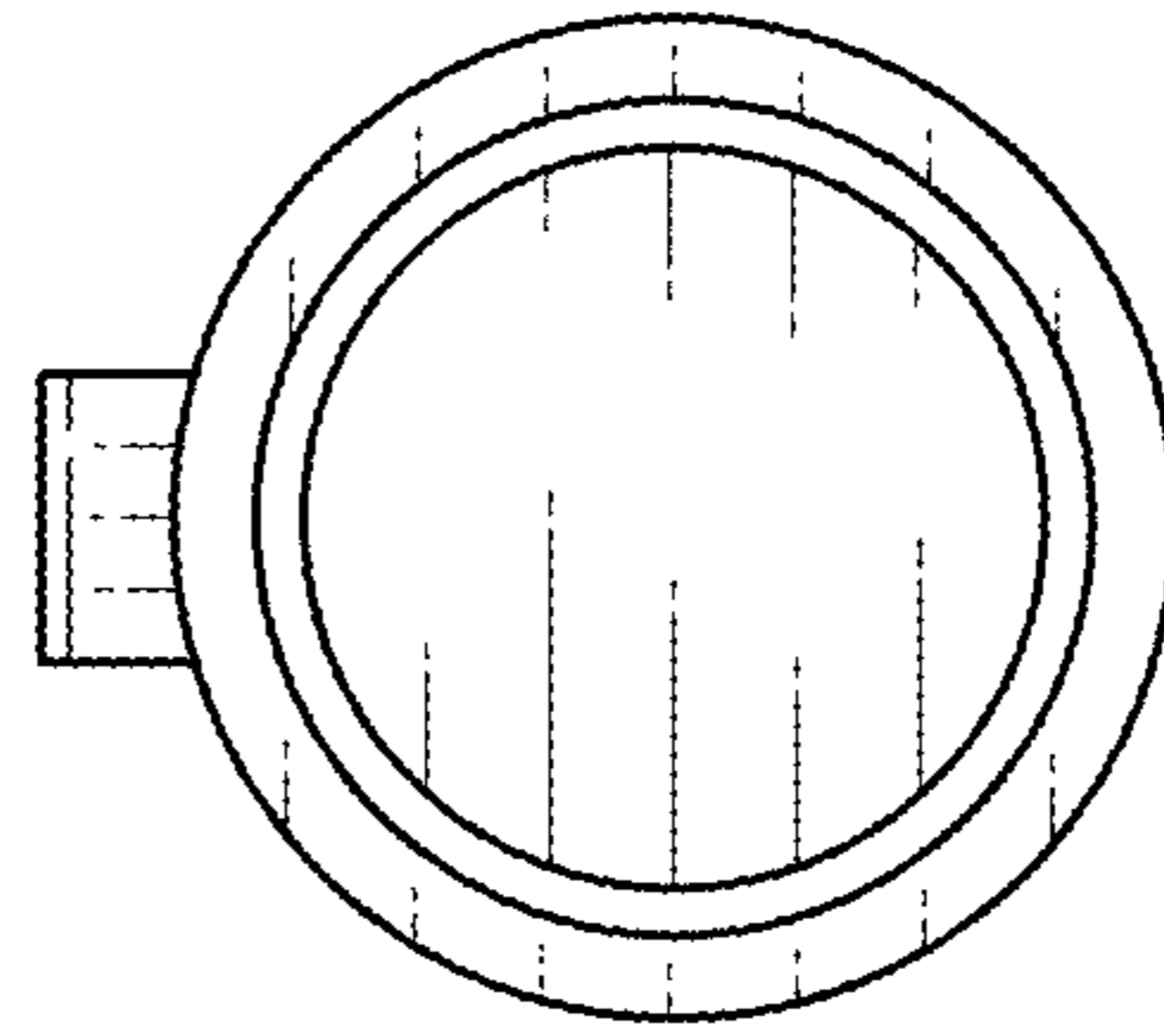


FIG. 6

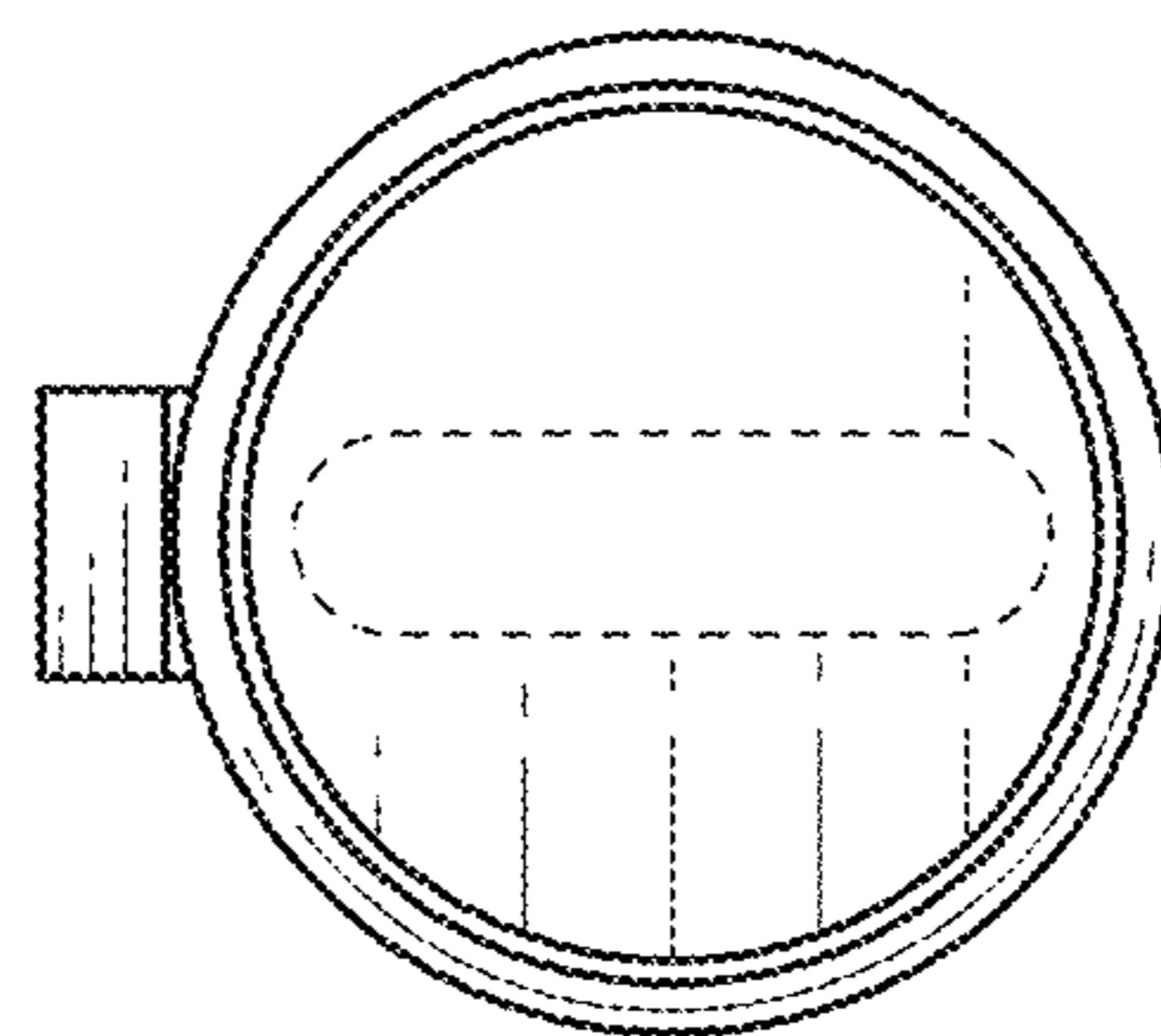


FIG. 7