

US00D942066S

(12) **United States Design Patent**
Gillespie

(10) **Patent No.:** **US D942,066 S**
(45) **Date of Patent:** **** Jan. 25, 2022**

(54) **LAMP**

(71) Applicant: **OVUUD, LLC**, Philadelphia, PA (US)

(72) Inventor: **Benjamin J Gillespie**, Philadelphia, PA (US)

(73) Assignee: **OVUUD, LLC**, Philadelphia, PA (US)

(**) Term: **15 Years**

(21) Appl. No.: **29/725,892**

(22) Filed: **Feb. 27, 2020**

(51) **LOC (13) Cl.** **26-03**

(52) **U.S. Cl.**
USPC **D26/90**

(58) **Field of Classification Search**
USPC D26/72, 76, 80-86, 88-91

(Continued)

(56) **References Cited**

U.S. PATENT DOCUMENTS

D382,664 S 8/1997 Benghozi
D558,379 S 12/2007 Citterio

(Continued)

OTHER PUBLICATIONS

Radius 56" Pendant 3000K from WAC Lighting, Model No. PD-27802, available from waclighting.com, visited Sep. 8, 2021. (Year: 2021).*

(Continued)

Primary Examiner — Clare E Heflin

(74) *Attorney, Agent, or Firm* — Benjamin J. Gillespie

(57) **CLAIM**

The ornamental design for a lamp, as shown and described.

DESCRIPTION

FIG. 1 is a front-right top perspective view of a lamp according to a first embodiment of the present invention;

FIG. 2 is a rear-left bottom perspective view of the lamp thereof;

FIG. 3 is a front plan view of the lamp thereof;

FIG. 4 is a rear plan view of the lamp thereof;

FIG. 5 is a right-side plan view of the lamp thereof;

FIG. 6 is a left-side plan view of the lamp thereof;

FIG. 7 is a top plan view of the lamp thereof;

FIG. 8 is a bottom plan view of the lamp thereof;

FIG. 9 is a front-right top perspective view of a lamp according to a second embodiment of the present invention;

FIG. 10 is a rear-left bottom perspective view of the lamp thereof;

FIG. 11 is a front plan view of the lamp thereof;

FIG. 12 is a rear plan view of the lamp thereof;

FIG. 13 is a right-side plan view of the lamp thereof;

FIG. 14 is a left-side plan view of the lamp thereof;

FIG. 15 is a top plan view of the lamp thereof;

FIG. 16 is a bottom plan view of the lamp thereof;

FIG. 17 is a front-right top perspective view of a lamp according to a third embodiment of the present invention;

FIG. 18 is a rear-left bottom perspective view of the lamp thereof;

FIG. 19 is a front plan view of the lamp thereof;

FIG. 20 is a rear plan view of the lamp thereof;

FIG. 21 is a right-side plan view of the lamp thereof;

FIG. 22 is a left-side plan view of the lamp thereof;

FIG. 23 is a top plan view of the lamp thereof;

FIG. 24 is a bottom plan view of the lamp thereof;

FIG. 25 is a front-right top perspective view of a lamp according to a fourth embodiment of the present invention;

FIG. 26 is a rear-left bottom perspective view of the lamp thereof;

FIG. 27 is a front plan view of the lamp thereof;

FIG. 28 is a rear plan view of the lamp thereof;

FIG. 29 is a right-side plan view of the lamp thereof;

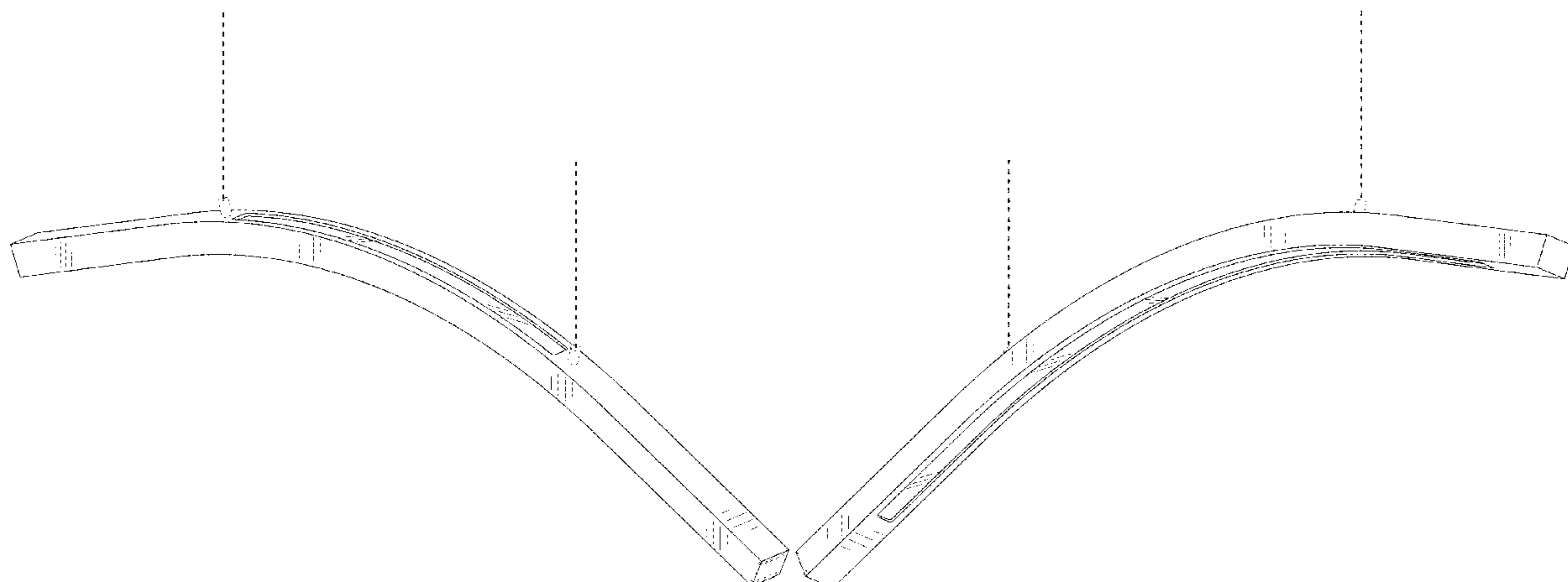
FIG. 30 is a left-side plan view of the lamp thereof;

FIG. 31 is a top plan view of the lamp thereof; and,

FIG. 32 is a bottom plan view of the lamp thereof.

The dashed lines of FIGS. 1-15 and 17-32 formed by segments of equal length are for environmental purposes only and form no part of the claimed design. The dashed lines of FIGS. 17-32 formed by a dash-dot-dash sequence represent an unclaimed boundary. Although not shown, the front-left top perspective view of each embodiment is mir-

(Continued)



rored image of the front-right top perspective view of that respective embodiment. Although not shown, the rear-right bottom perspective view of each embodiment is mirrored image of the rear-left bottom perspective view of that respective embodiment.

1 Claim, 24 Drawing Sheets

(58) **Field of Classification Search**

CPC F21S 8/03; F21S 8/04; F21S 8/043; F21S 8/046; F21S 8/06; F21S 8/061; F21S 8/063; F21S 8/065

See application file for complete search history.

(56) **References Cited**

U.S. PATENT DOCUMENTS

D588,739 S *	3/2009	Janssen	D26/76
D589,640 S *	3/2009	Janssen	D26/76
D591,443 S *	4/2009	Beno	D26/76
D591,444 S *	4/2009	Beno	D26/76
D620,176 S	7/2010	Sabernig		
D620,180 S	7/2010	Sabernig		
D738,557 S *	9/2015	Colombo	D26/85
D761,478 S	7/2016	Ng		
D761,991 S *	7/2016	Clark	F21V 17/06
				D26/88
D762,911 S *	8/2016	Blum	D26/88

D806,927 S *	1/2018	Rashid	D26/76
D807,560 S	1/2018	Jones		
D828,612 S *	9/2018	Silver	D26/91
D858,856 S	9/2019	Genovese		
D866,047 S *	11/2019	Anastassiades	D26/88
D876,702 S	2/2020	Genovese		
D917,760 S *	4/2021	Lissoni	D26/72
D918,458 S *	5/2021	Baylar	D26/86
D922,656 S *	6/2021	MacAllen	D26/86
11,067,256 B2 *	7/2021	Kinsley	F21V 19/0035
2013/0107519 A1 *	5/2013	Kim	F21V 13/04
				362/235
2018/0213627 A1 *	7/2018	Xia	F21V 21/26
2019/0162369 A1 *	5/2019	Sonneman	F21S 2/00

OTHER PUBLICATIONS

Artika Swirl Integrated LED Pendant ASIN: B081ZJBKTX. Available from amazon.com Nov. 25, 2019. (Year: 2019).*

Ziplighting Modern LED Pendant ASIN: B07FLZ9M1N. Available from amazon.com Jul. 16, 2018. (Year: 2018).*

Garwarm Modern Wave Pendant Light ASIN: B08HM1W46G. Available from amazon.com Sep. 7, 2020. (Year: 2020).*

lampegiganten.no website, Lorian—Bueformet LED-Pendellys, retrieved Feb. 27, 2020, www.lampegiganten.no/lorian-bueformet-led-pendellys.html, page:1.

OVUUD Instagram, Sep. 10, 2018, https://www.instagram.com/p/BnjPd8jB5oE/?utm_source=ig_web_copy_link, retrieved Feb. 27, 2020, 1 page.

* cited by examiner

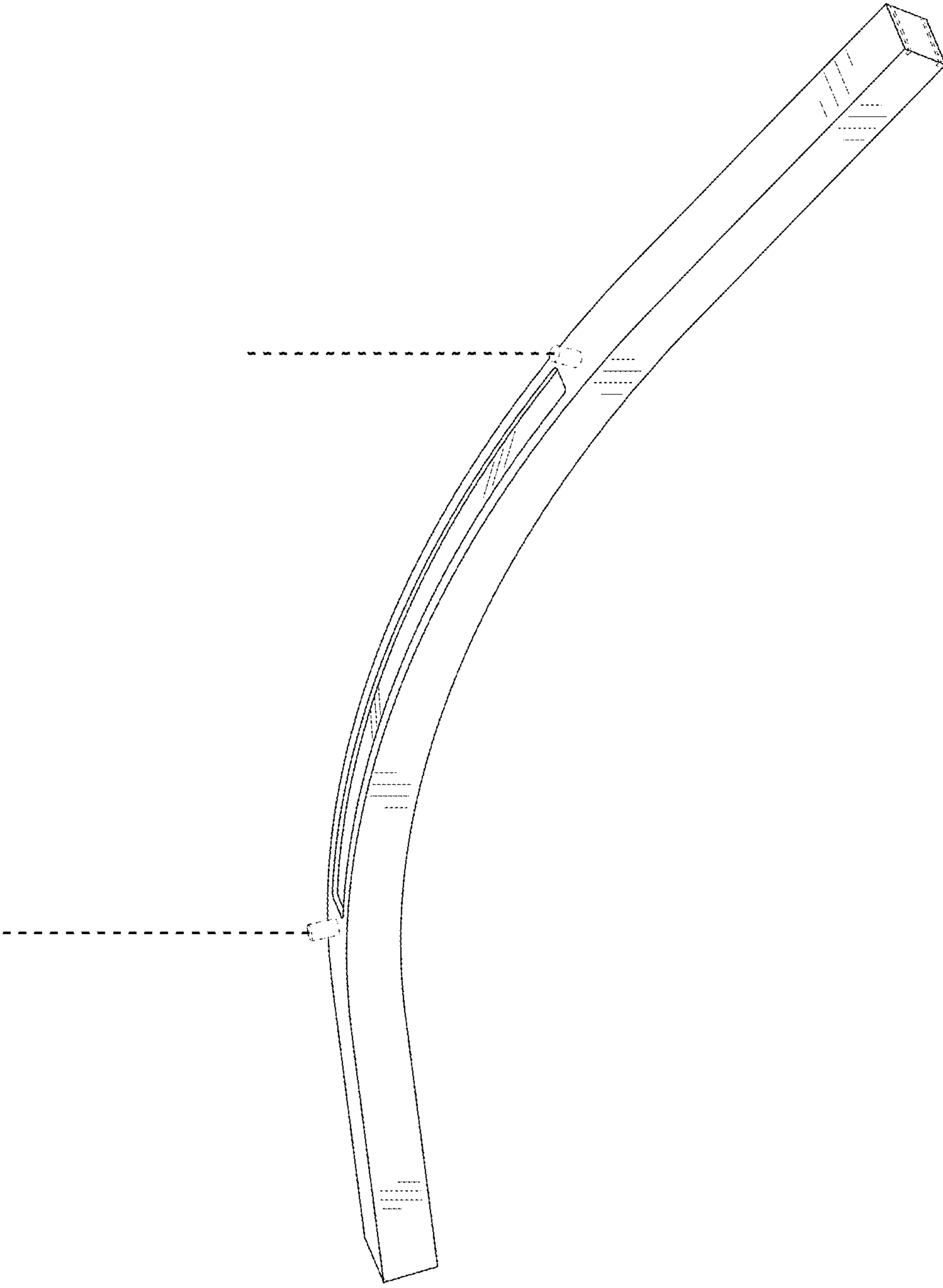


FIG. 1

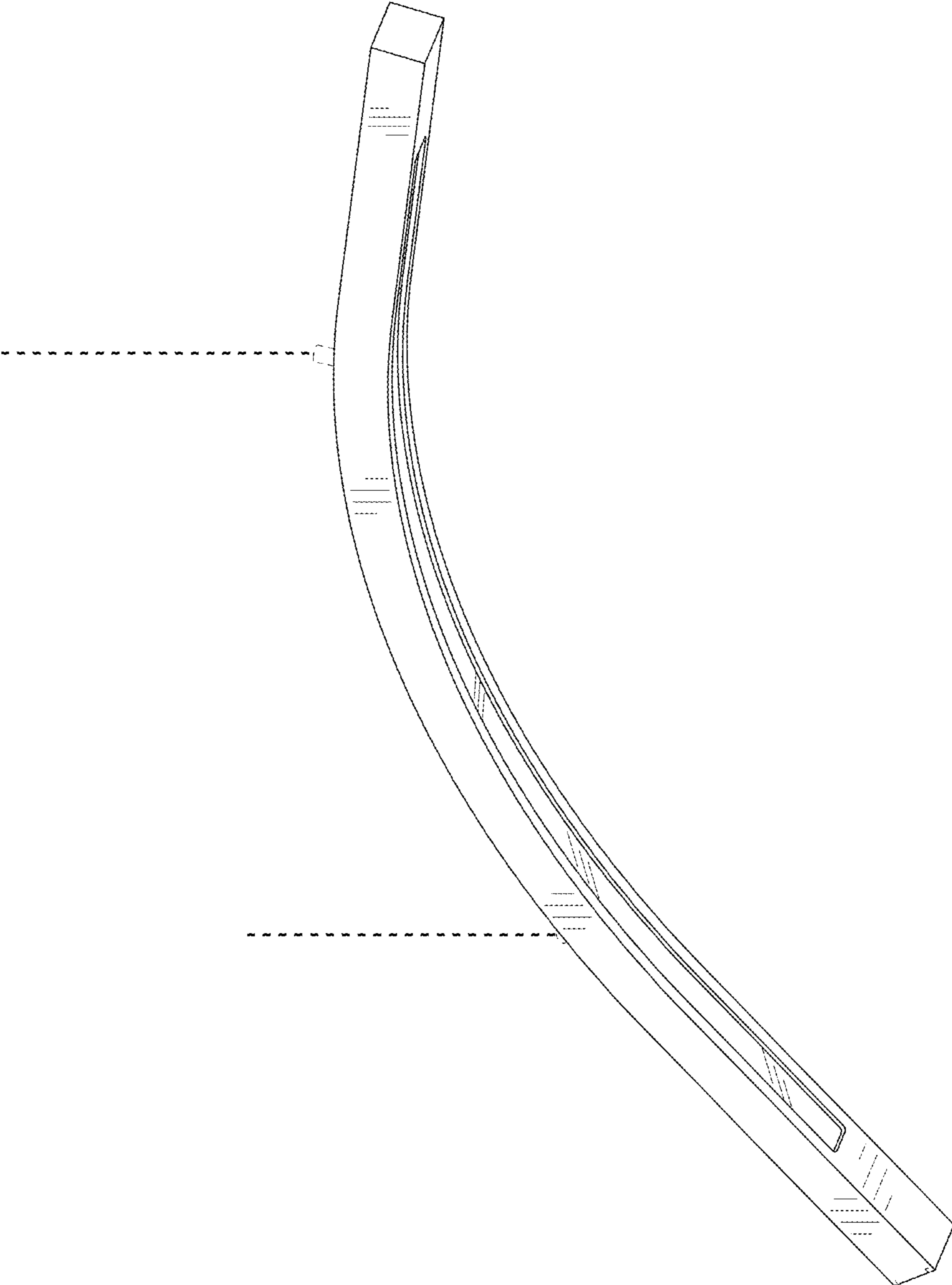


FIG. 2

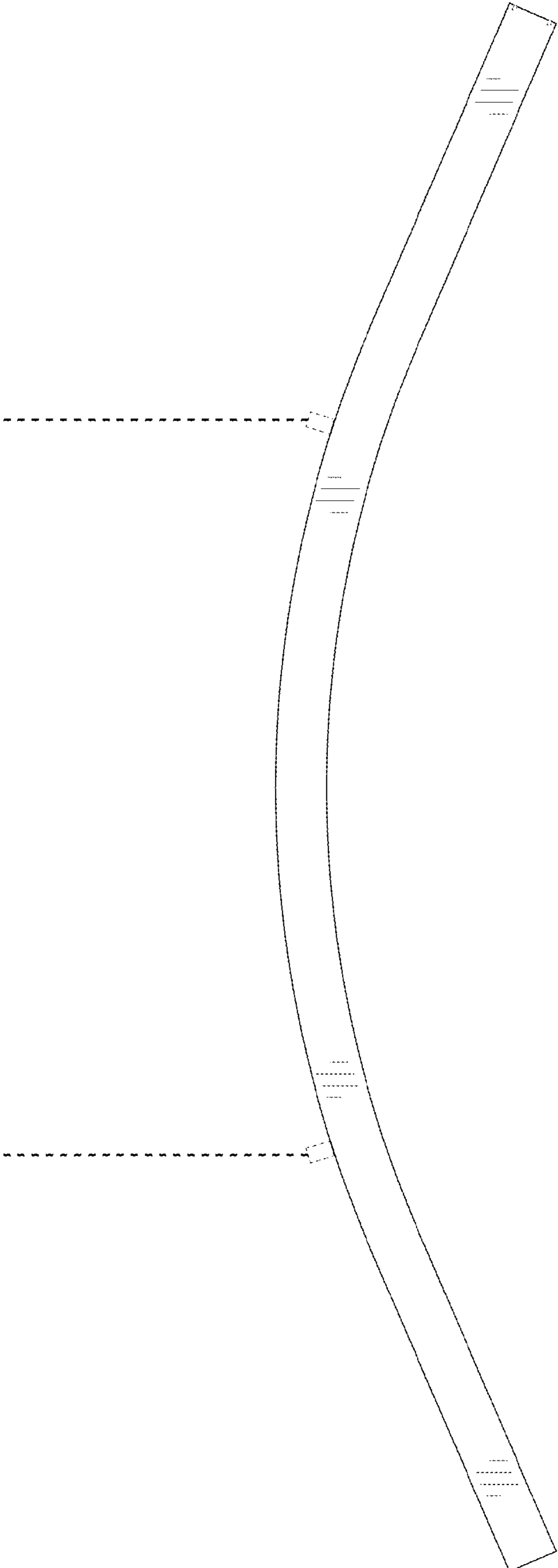


FIG. 3

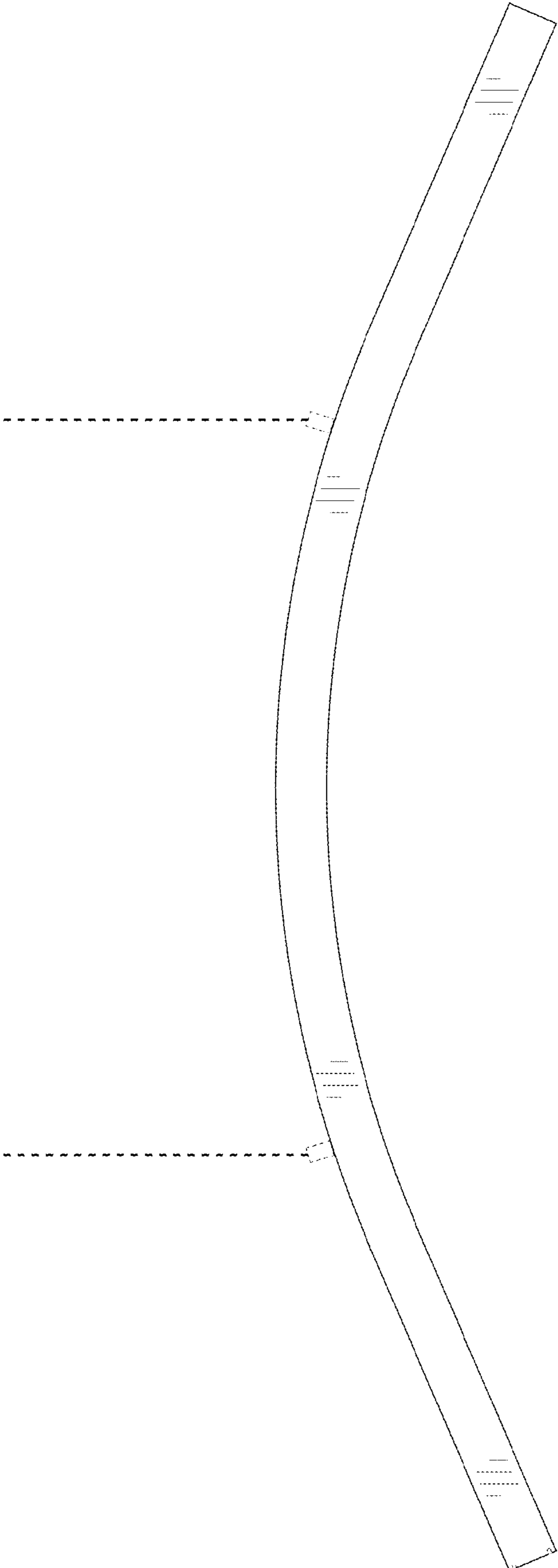


FIG. 4

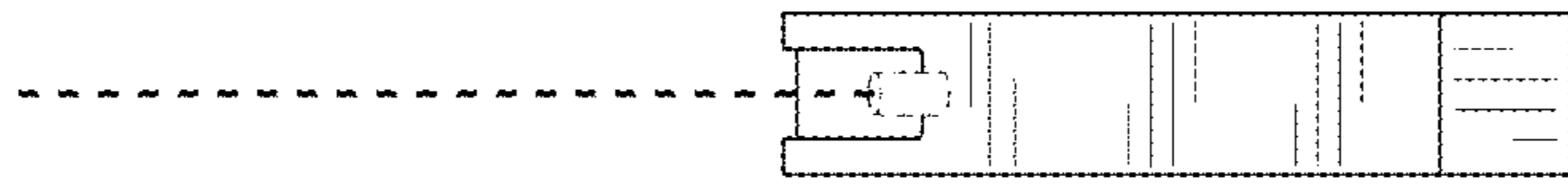


FIG. 5

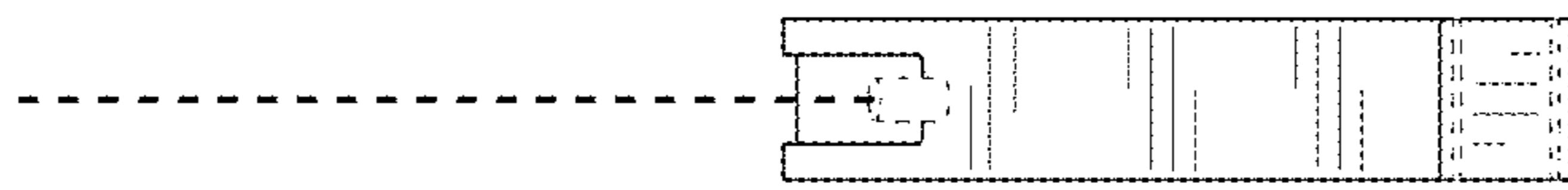


FIG. 6

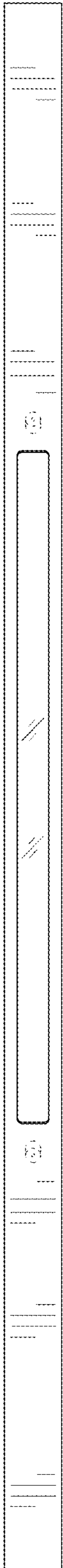


FIG. 7

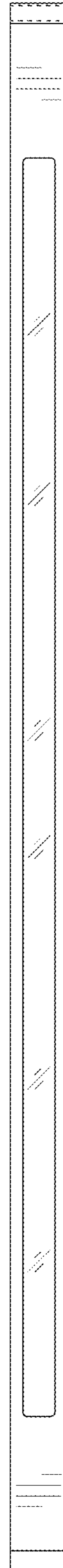


FIG. 8

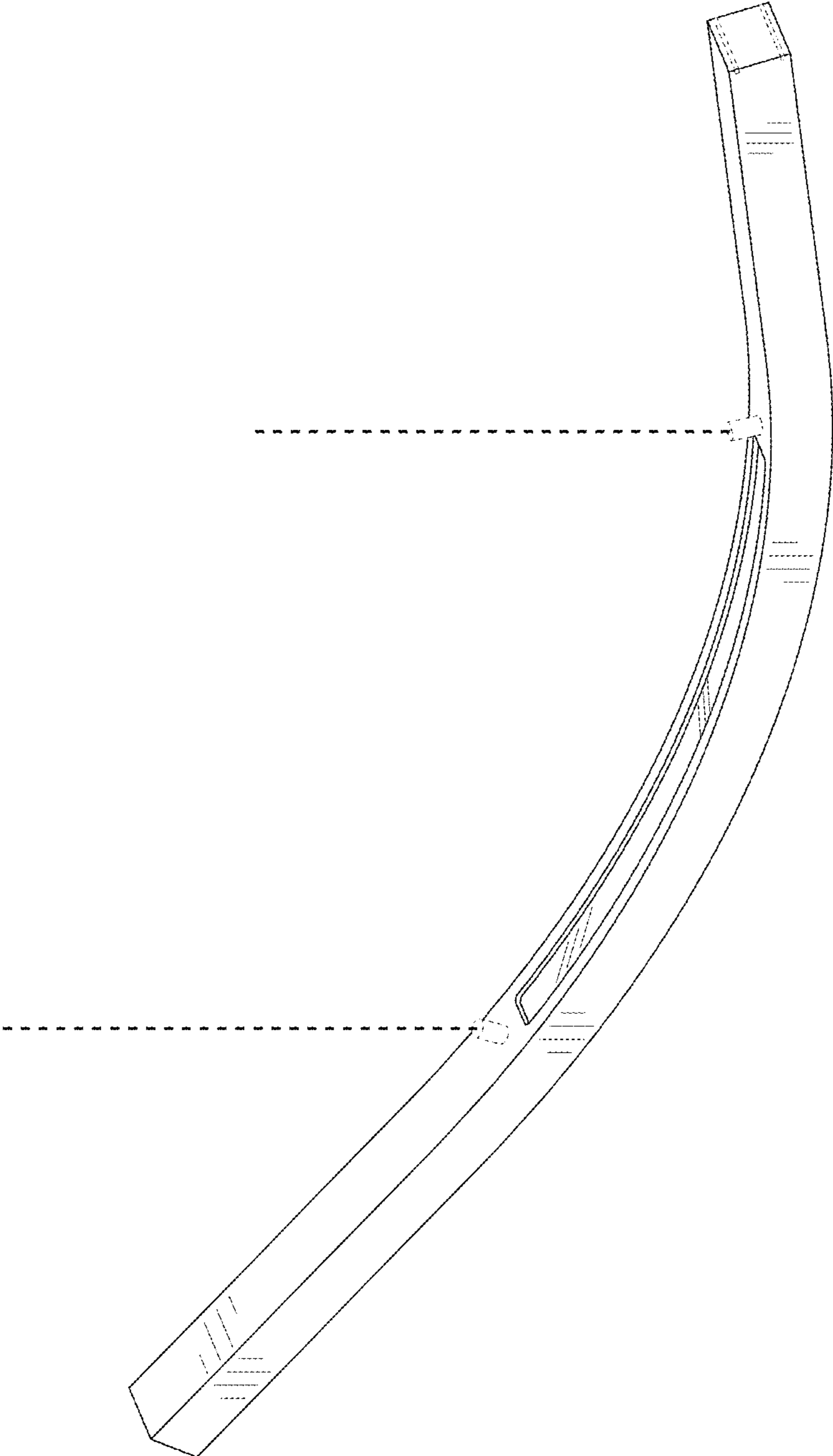


FIG. 9

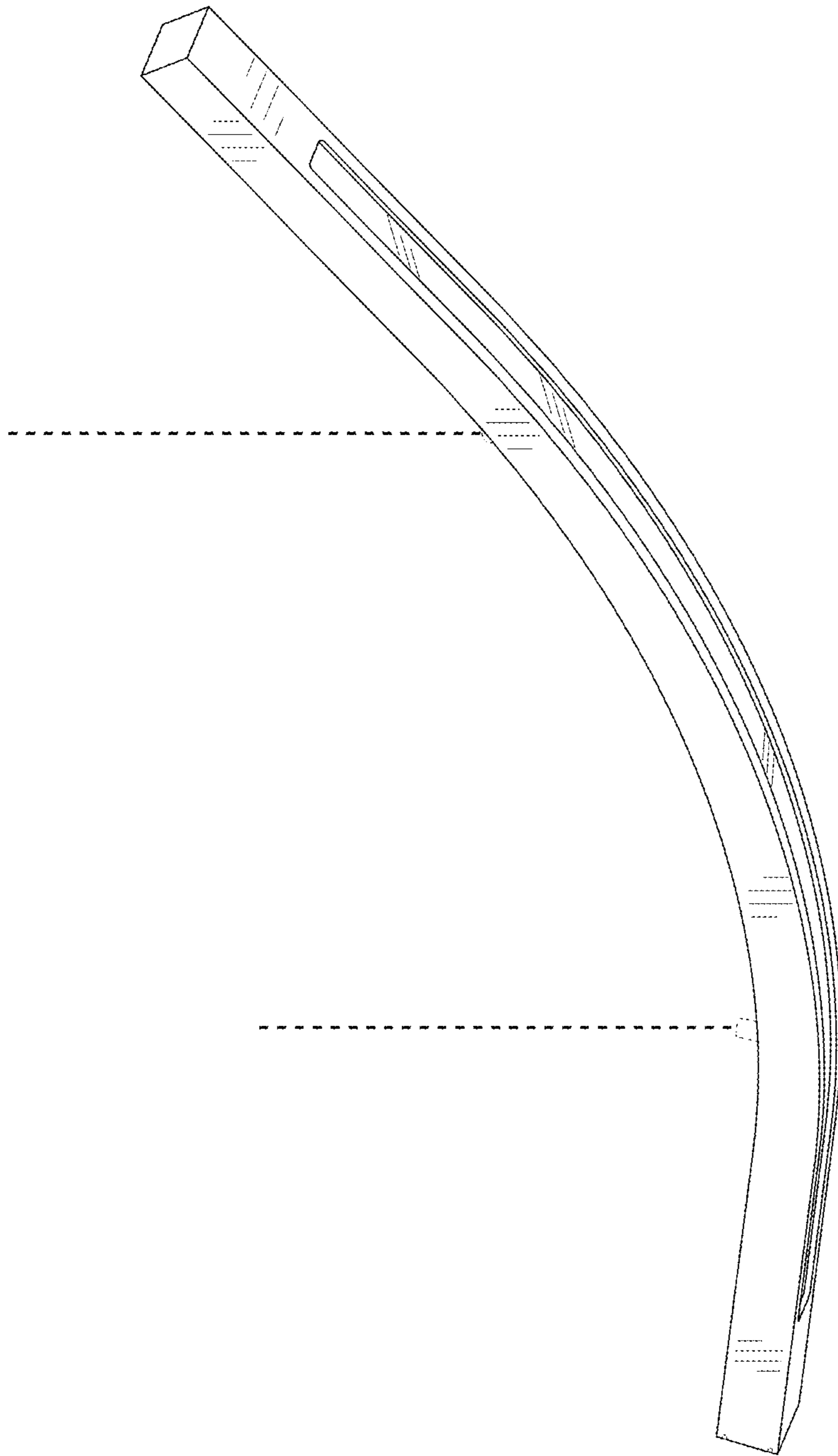


FIG. 10

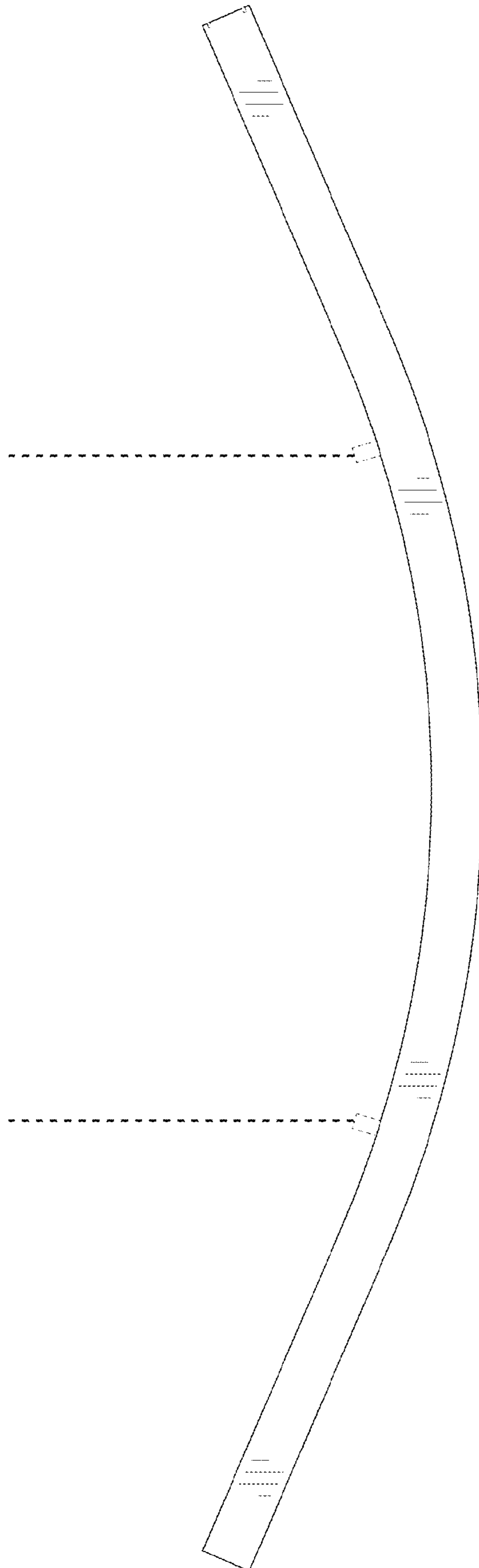


FIG. 11

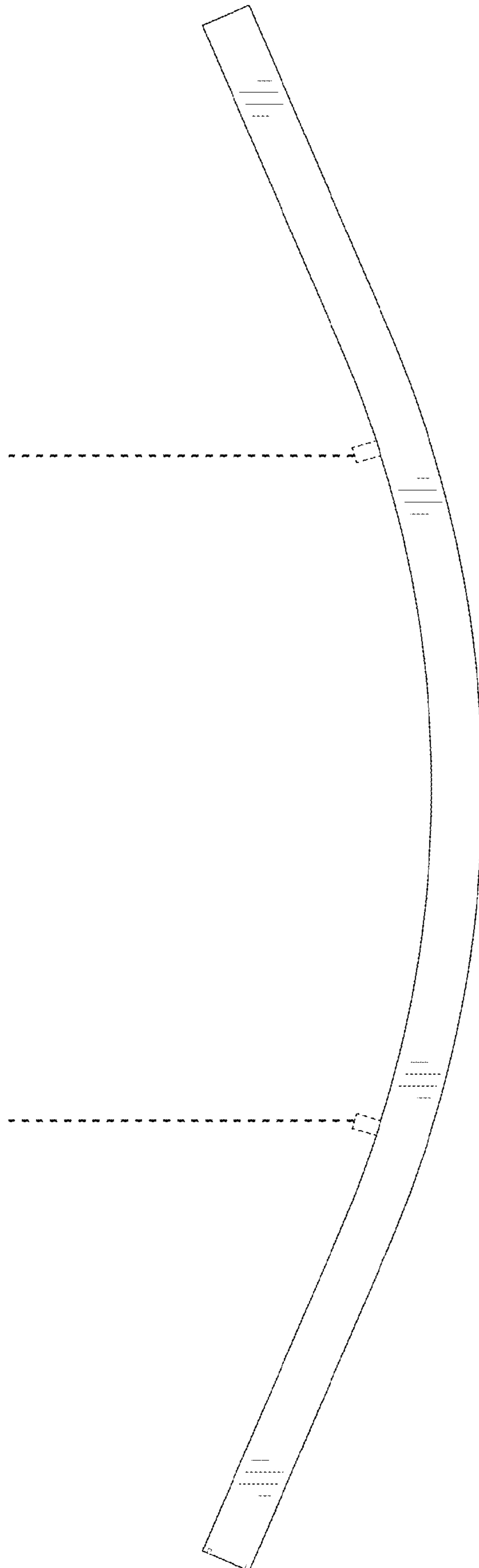


FIG. 12

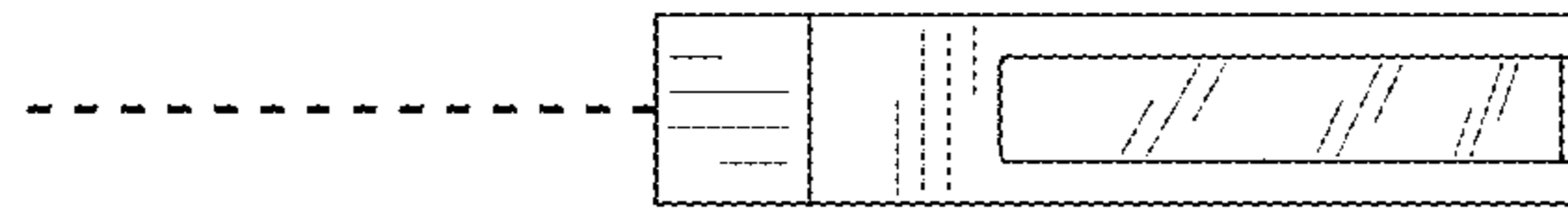


FIG. 14



FIG. 13

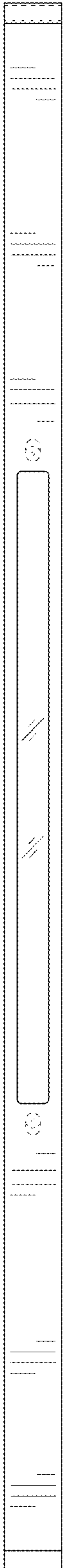


FIG. 15

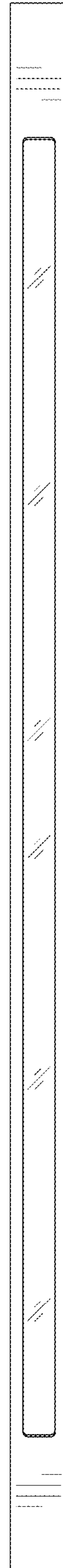


FIG. 16

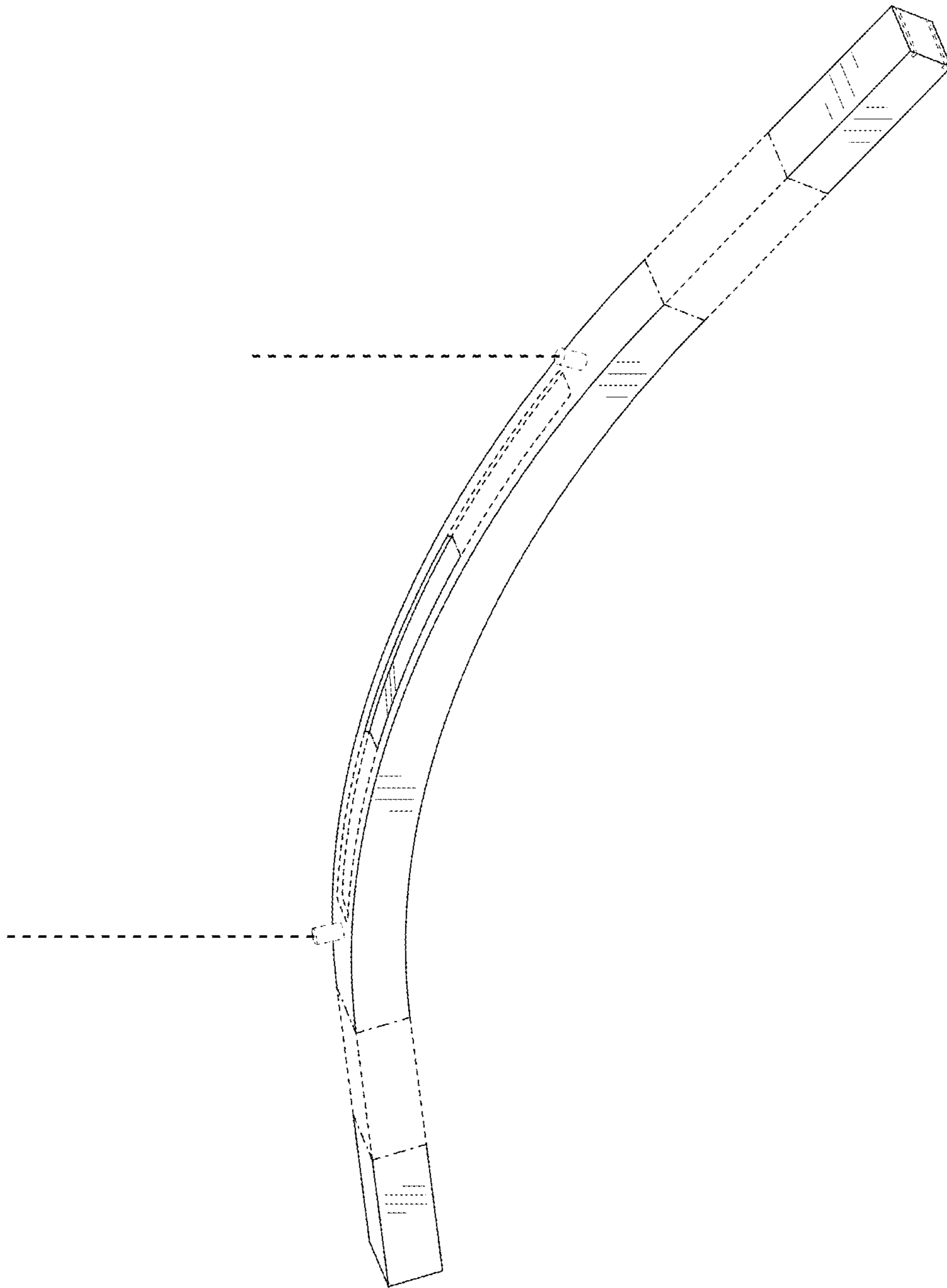


FIG. 17

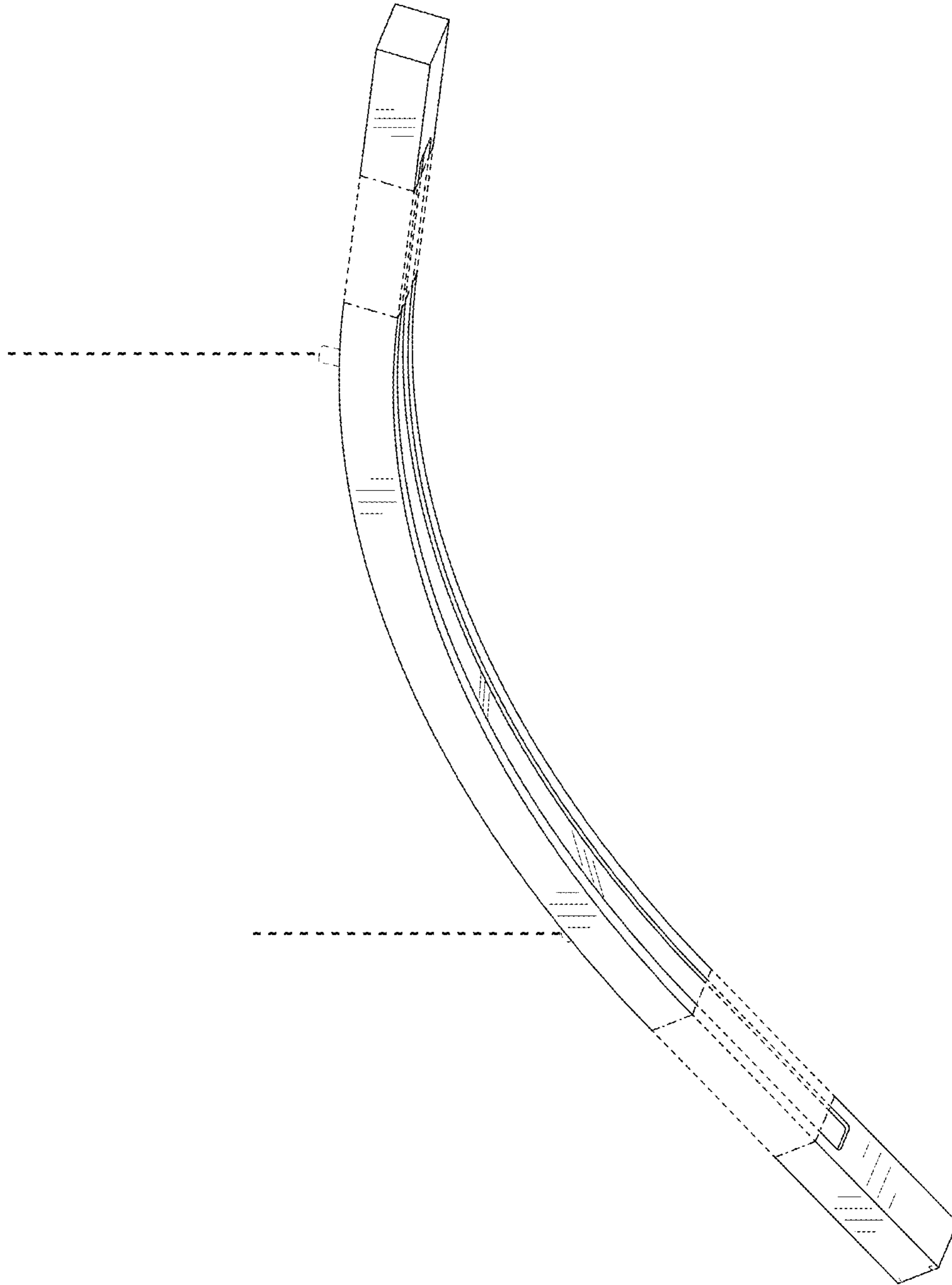


FIG. 18

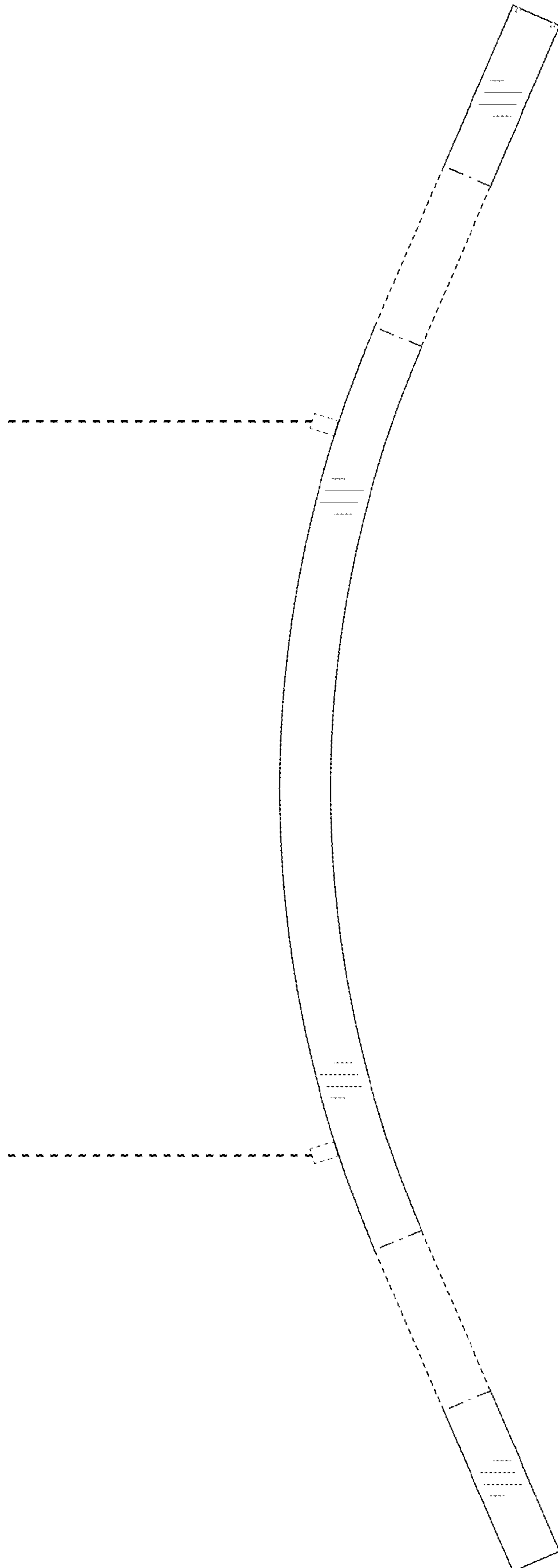


FIG. 19

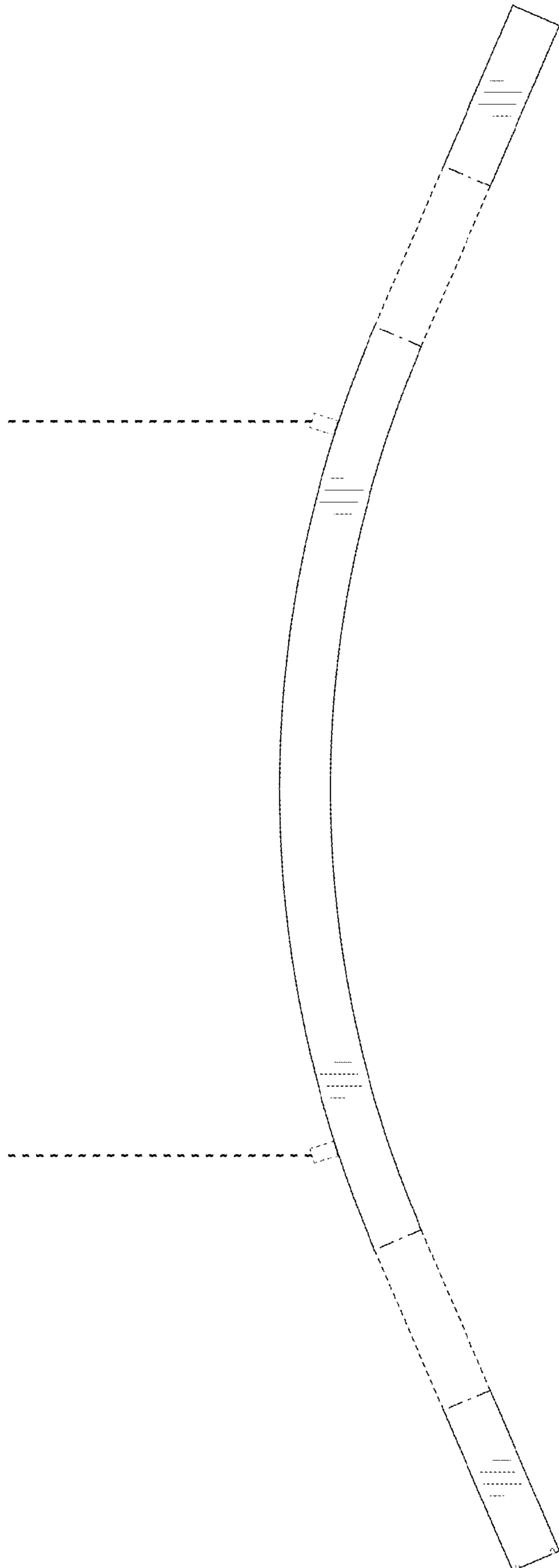


FIG. 20

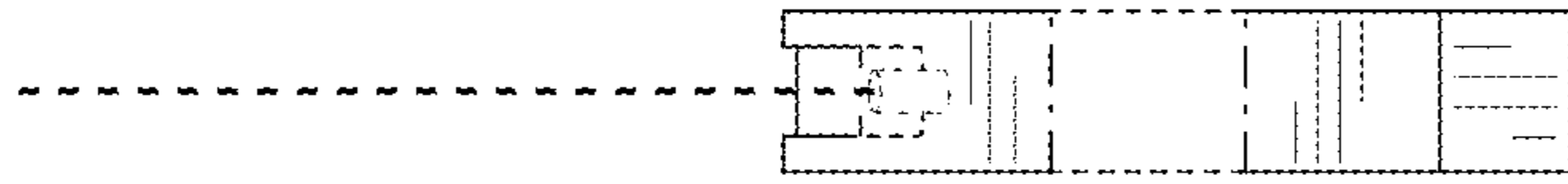


FIG. 22

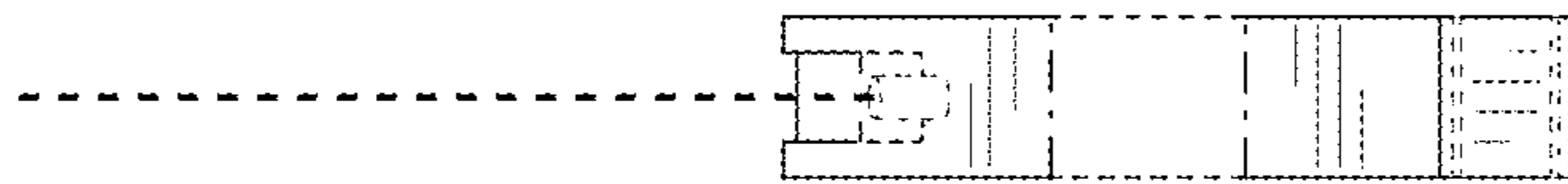


FIG. 21

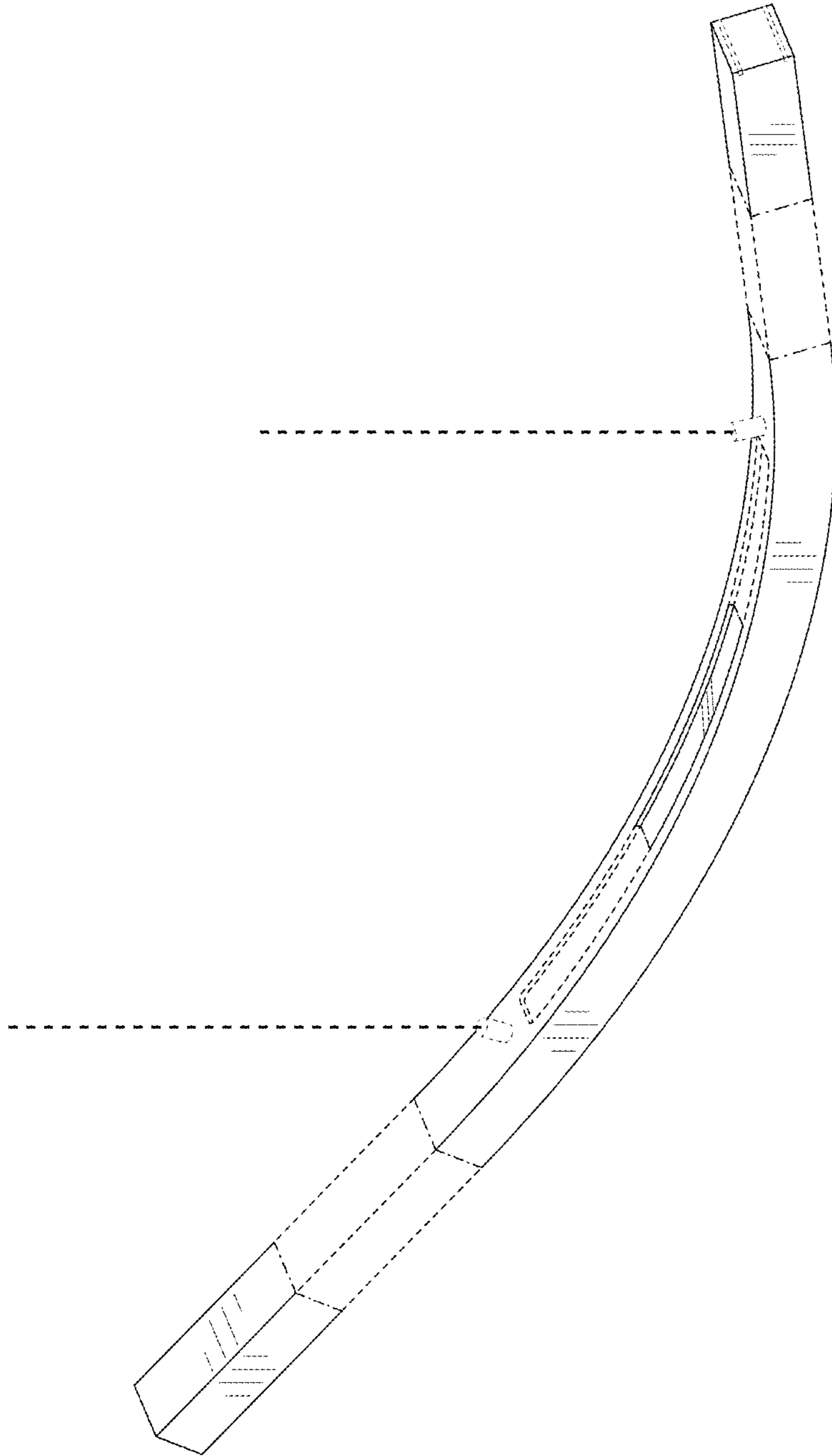


FIG. 25

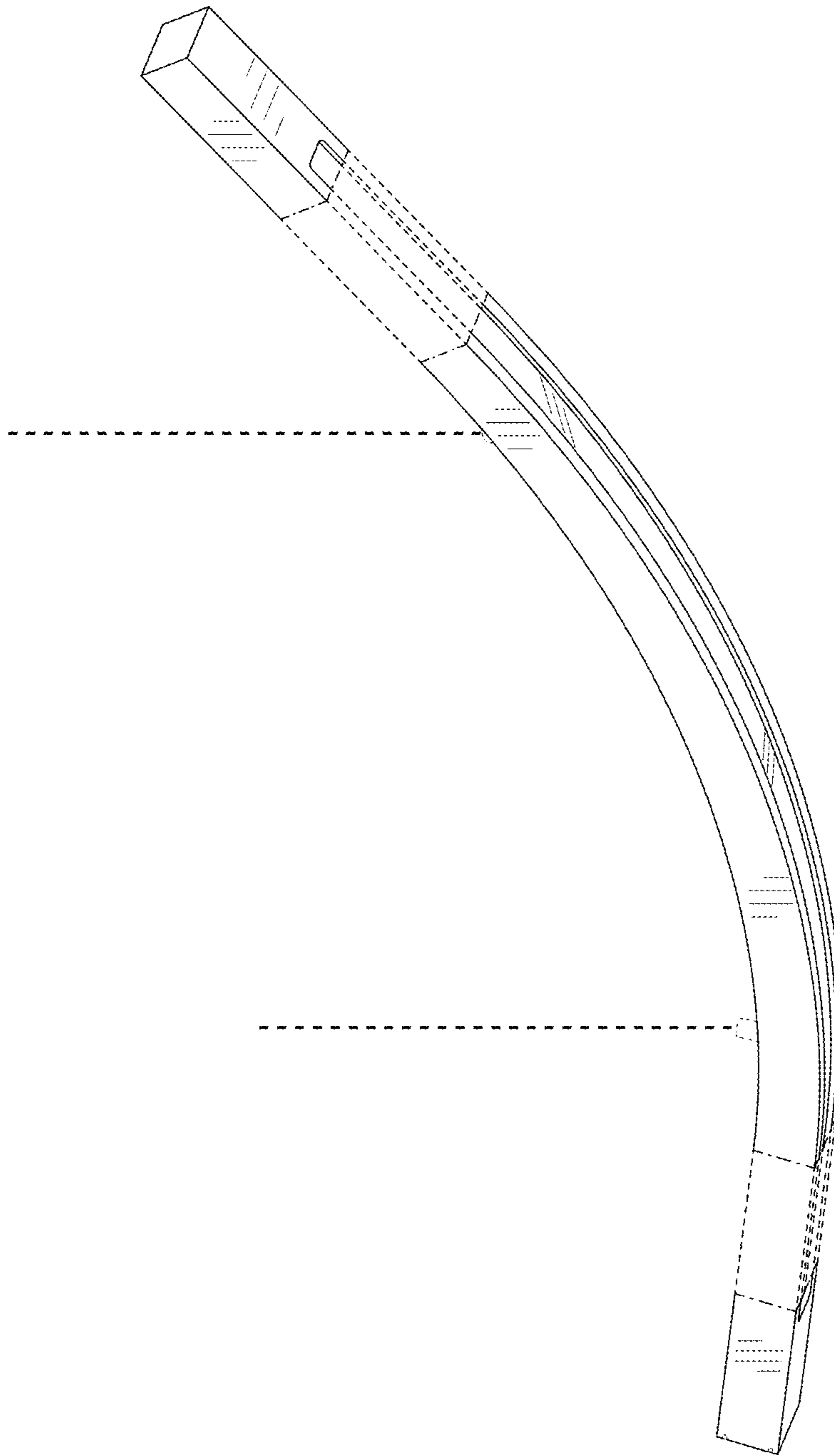


FIG. 26

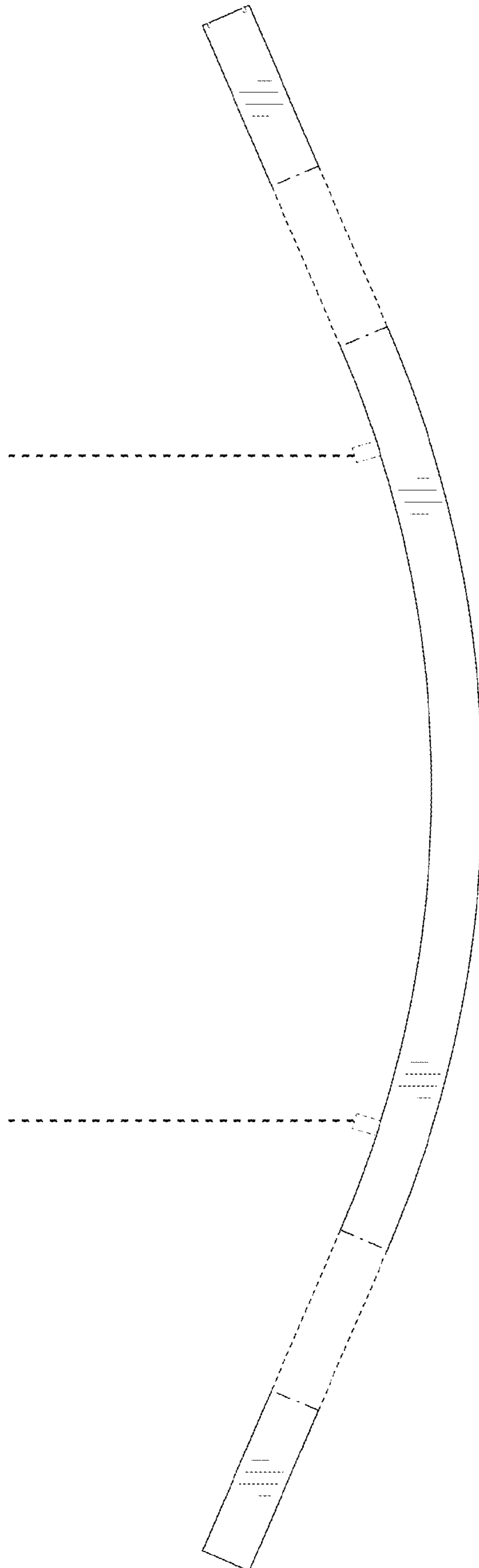


FIG. 27

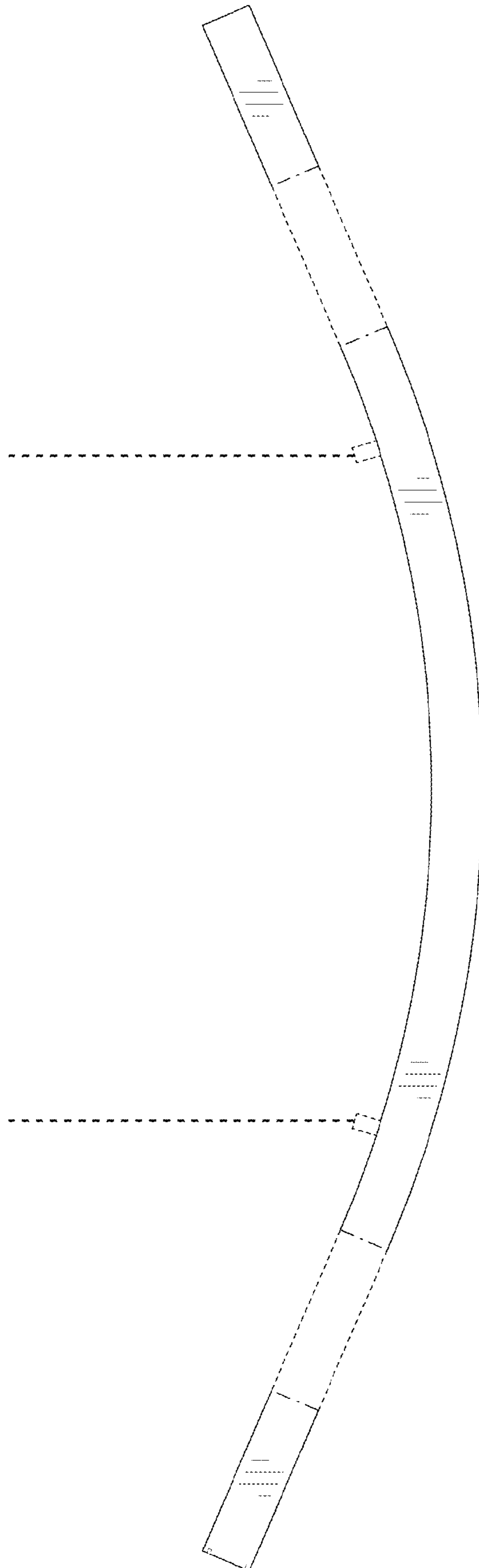


FIG. 28

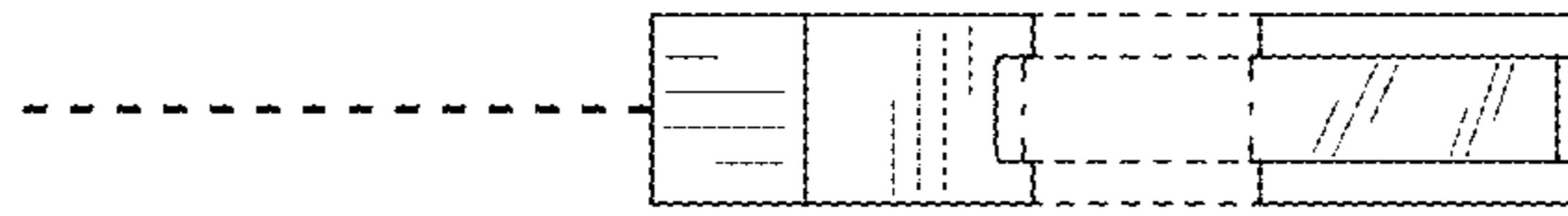


FIG. 30

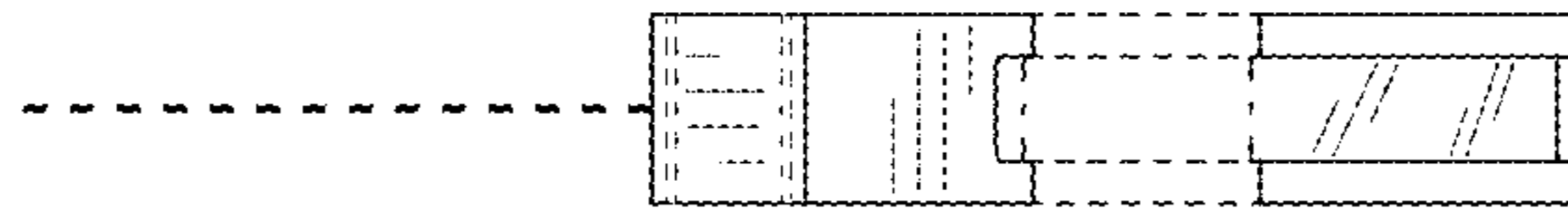


FIG. 29

