



US00D942065S

(12) **United States Design Patent**
Orozco

(10) **Patent No.:** **US D942,065 S**

(45) **Date of Patent:** **** Jan. 25, 2022**

(54) **LIGHTING FIXTURE**

(71) Applicant: **Hinkley Lighting, Inc.**, Avon Lake, OH (US)

(72) Inventor: **Sergio Orozco**, New York, NY (US)

(73) Assignee: **HINKLEY LIGHTING, INC.**, Avon Lake, OH (US)

(**) Term: **15 Years**

(21) Appl. No.: **29/678,629**

(22) Filed: **Jan. 30, 2019**

Related U.S. Application Data

(62) Division of application No. 29/606,526, filed on Jun. 5, 2017, now abandoned.

(51) **LOC (13) Cl.** **26-03**

(52) **U.S. Cl.**
USPC **D26/85; D26/87**

(58) **Field of Classification Search**
USPC D26/72, 80, 81, 83-88, 89, 90
CPC F21S 8/03; F21S 8/04; F21S 8/043; F21S 8/046; F21S 8/06; F21S 8/061; F21S 8/063; F21S 8/065

See application file for complete search history.

(56) **References Cited**

U.S. PATENT DOCUMENTS

D62,887 S *	8/1923	Dahl	D26/87
D427,352 S *	6/2000	Miranda	D26/67
D427,355 S *	6/2000	Miranda	D26/87
D438,661 S *	3/2001	Hidalgo	D26/72
D481,819 S *	11/2003	Cheong	D26/67
D553,285 S *	10/2007	Curtin	D26/67
D722,719 S *	2/2015	Pyle	D26/85
D754,907 S *	4/2016	Orozco	D26/87
D782,097 S *	3/2017	Orozco	D26/85
D807,551 S *	1/2018	Wiedemer	D26/67

(Continued)

OTHER PUBLICATIONS

Hinkley Bromley 15 1/2" High Museum Black Outdoor Wall Light, available from lampsplus.com as early as Dec. 28, 2018. (Year: 2018).*

(Continued)

Primary Examiner — Clare E Heflin

(74) *Attorney, Agent, or Firm* — Pearne & Gordon LLP

(57) **CLAIM**

The ornamental design for a lighting fixture, as shown and described.

DESCRIPTION

FIGS. 1-8 are drawings of a first embodiment of a lighting fixture.

FIG. 1 is a top perspective view;

FIG. 2 is a bottom perspective view;

FIG. 3 is a left side view;

FIG. 4 is a front view;

FIG. 5 is a right side view;

FIG. 6 is a rear view;

FIG. 7 is a top view; and

FIG. 8 is a bottom view.

FIGS. 9-16 are drawings of a second embodiment of a lighting fixture.

FIG. 9 is a top perspective view;

FIG. 10 is a bottom perspective view;

FIG. 11 is a left side view;

FIG. 12 is a front view;

FIG. 13 is a right side view;

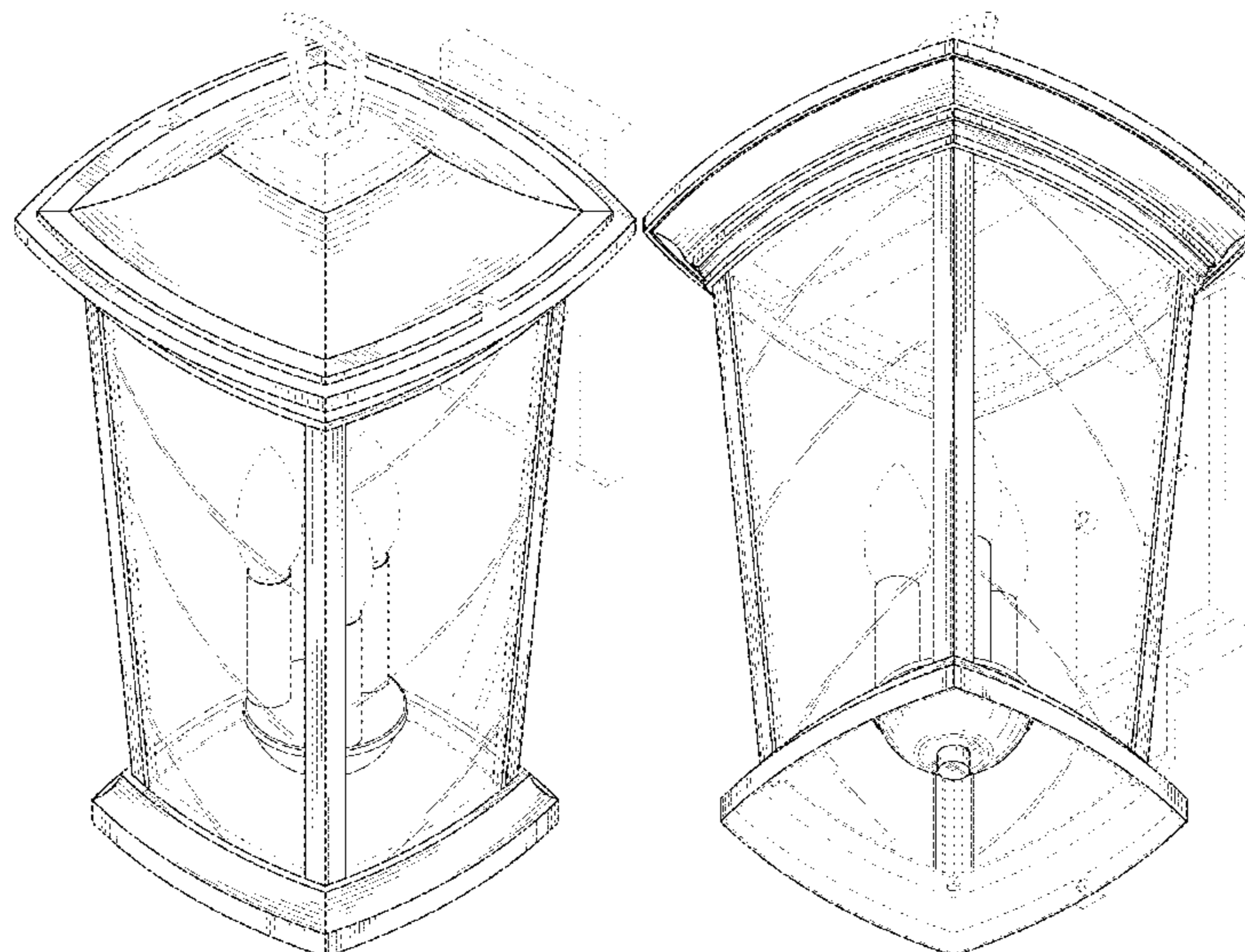
FIG. 14 is a rear view;

FIG. 15 is a top view; and,

FIG. 16 is a bottom view.

Features illustrated in broken lines represent portions of the lighting fixture that form no part of the claimed design.

1 Claim, 14 Drawing Sheets



(56)

References Cited

U.S. PATENT DOCUMENTS

10,670,203 B1 * 6/2020 Glazer F21S 8/036
D906,573 S * 12/2020 Smith D26/85
2019/0203890 A1 * 7/2019 Moore F21S 8/033

OTHER PUBLICATIONS

Bransford 17" High Black-Specked Gray Outdoor Wall Light,
available from lampsplus.com as early as Sep. 19, 2017. (Year:
2017).*

* cited by examiner

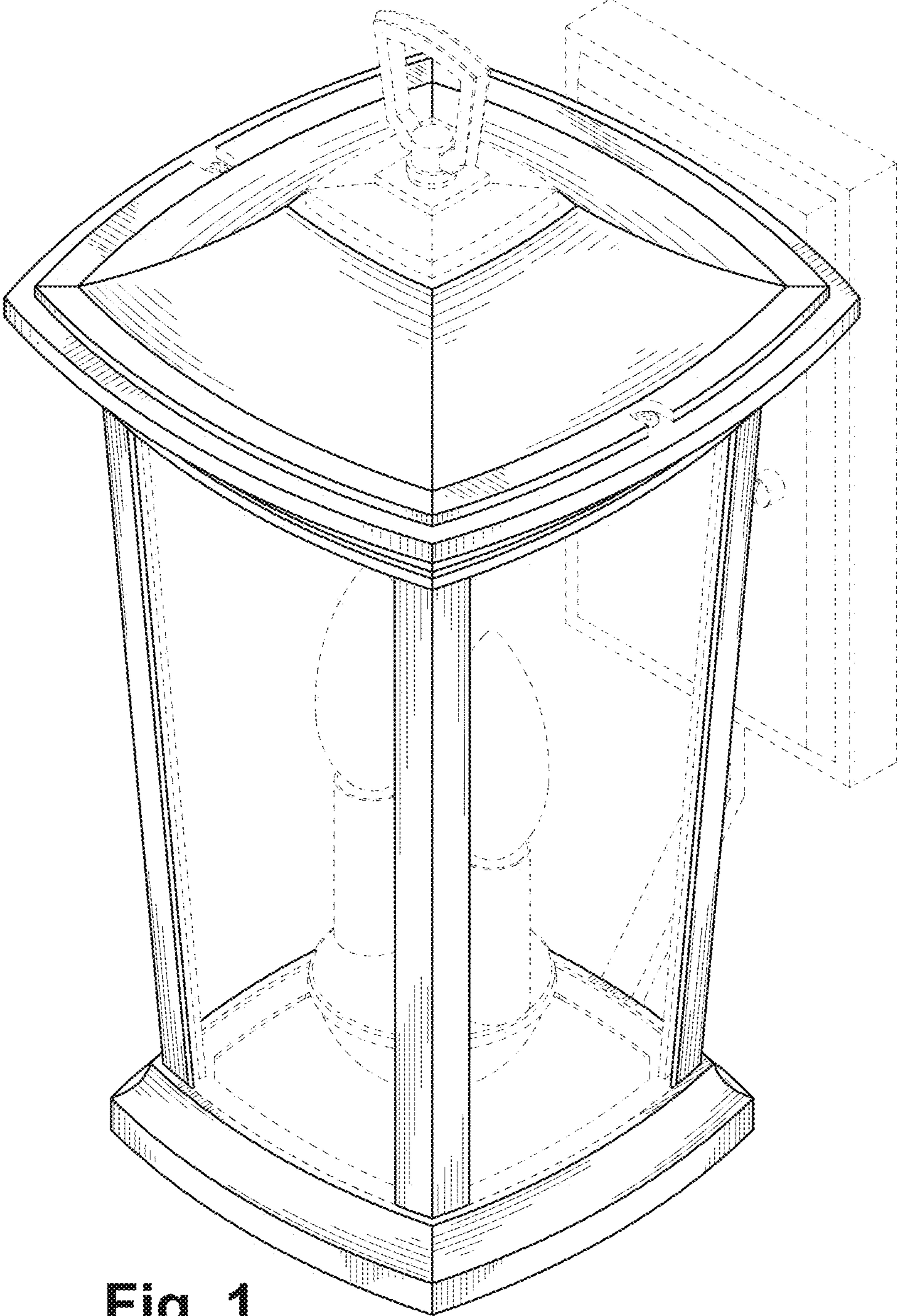


Fig. 1

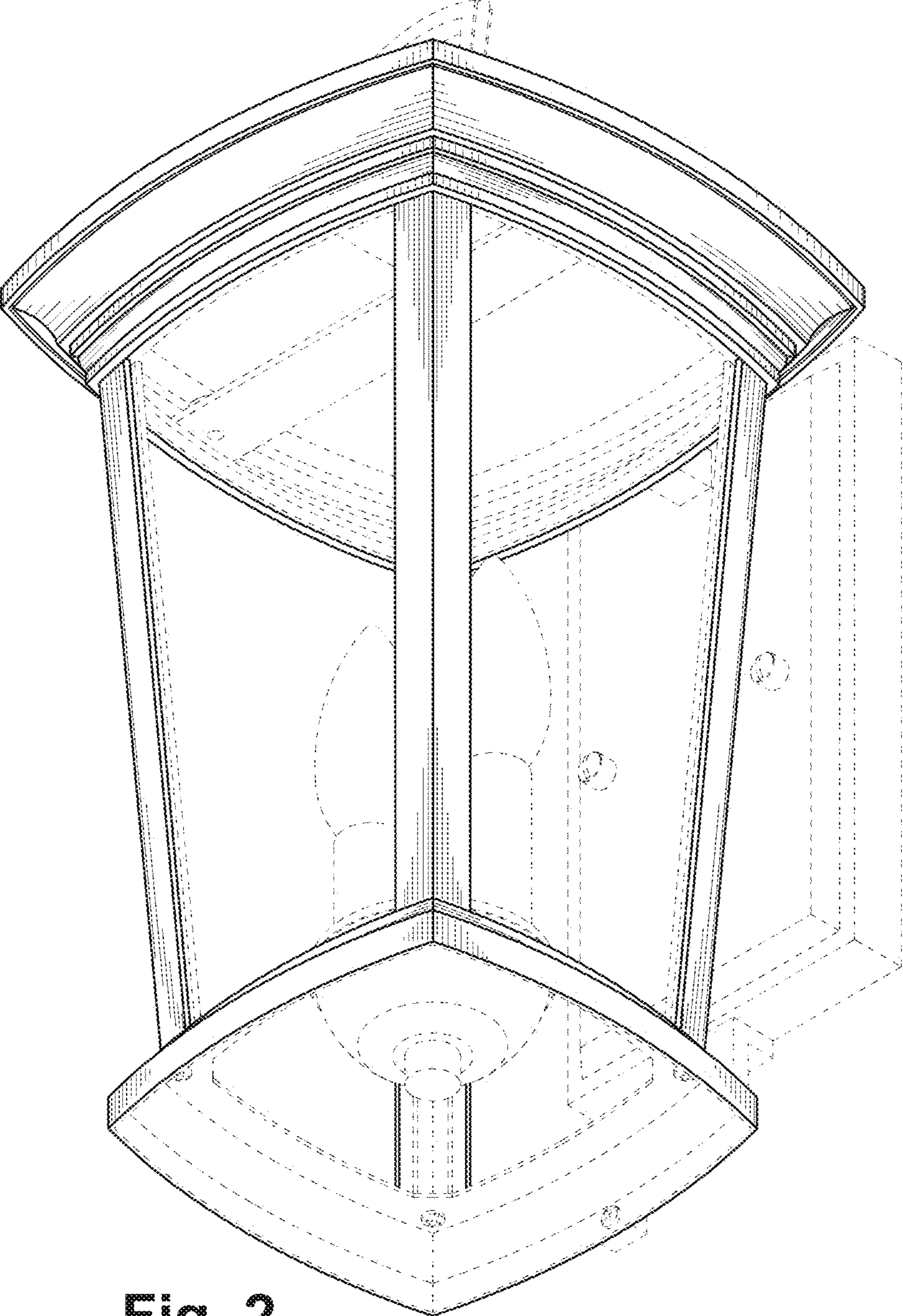


Fig. 2

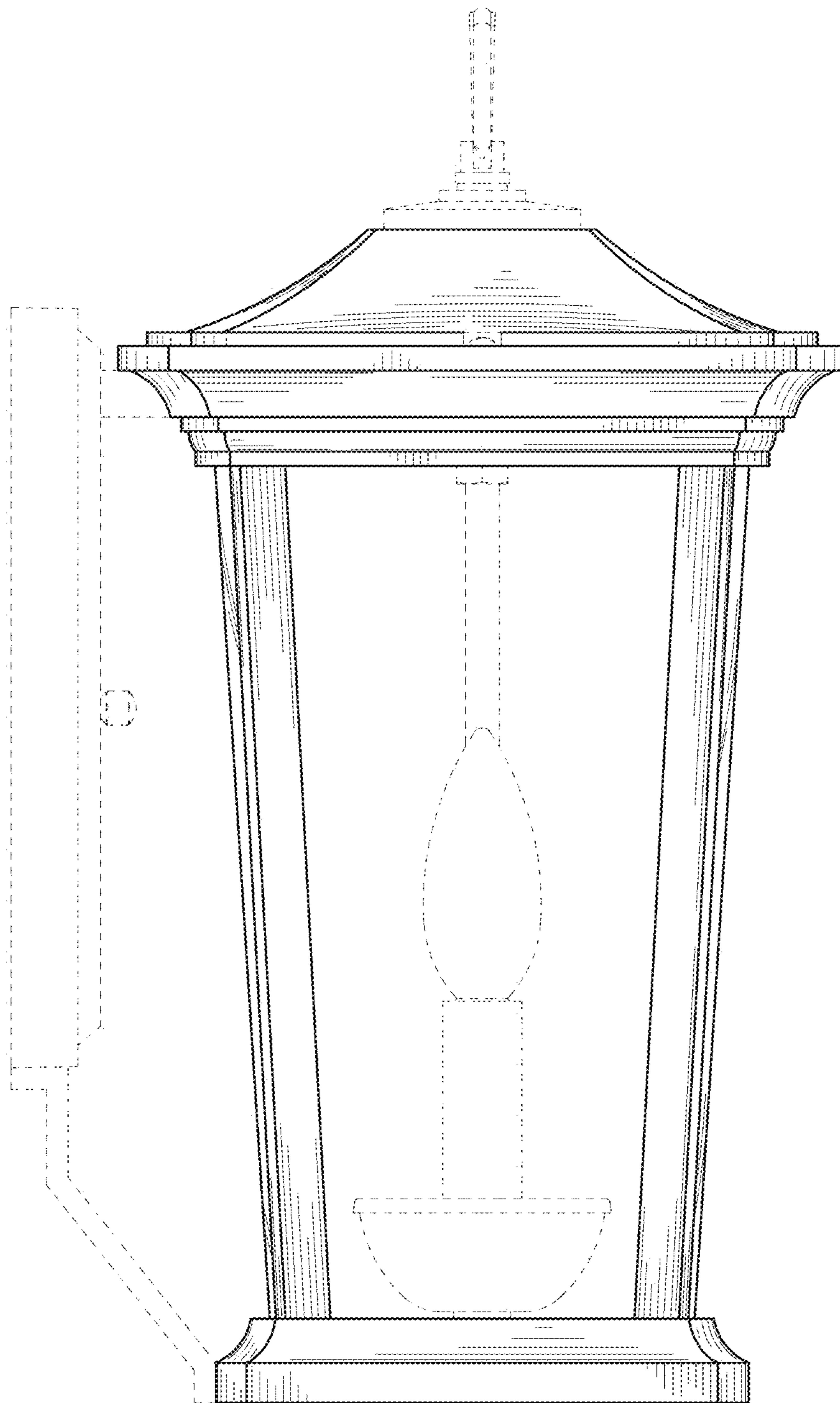


Fig. 3

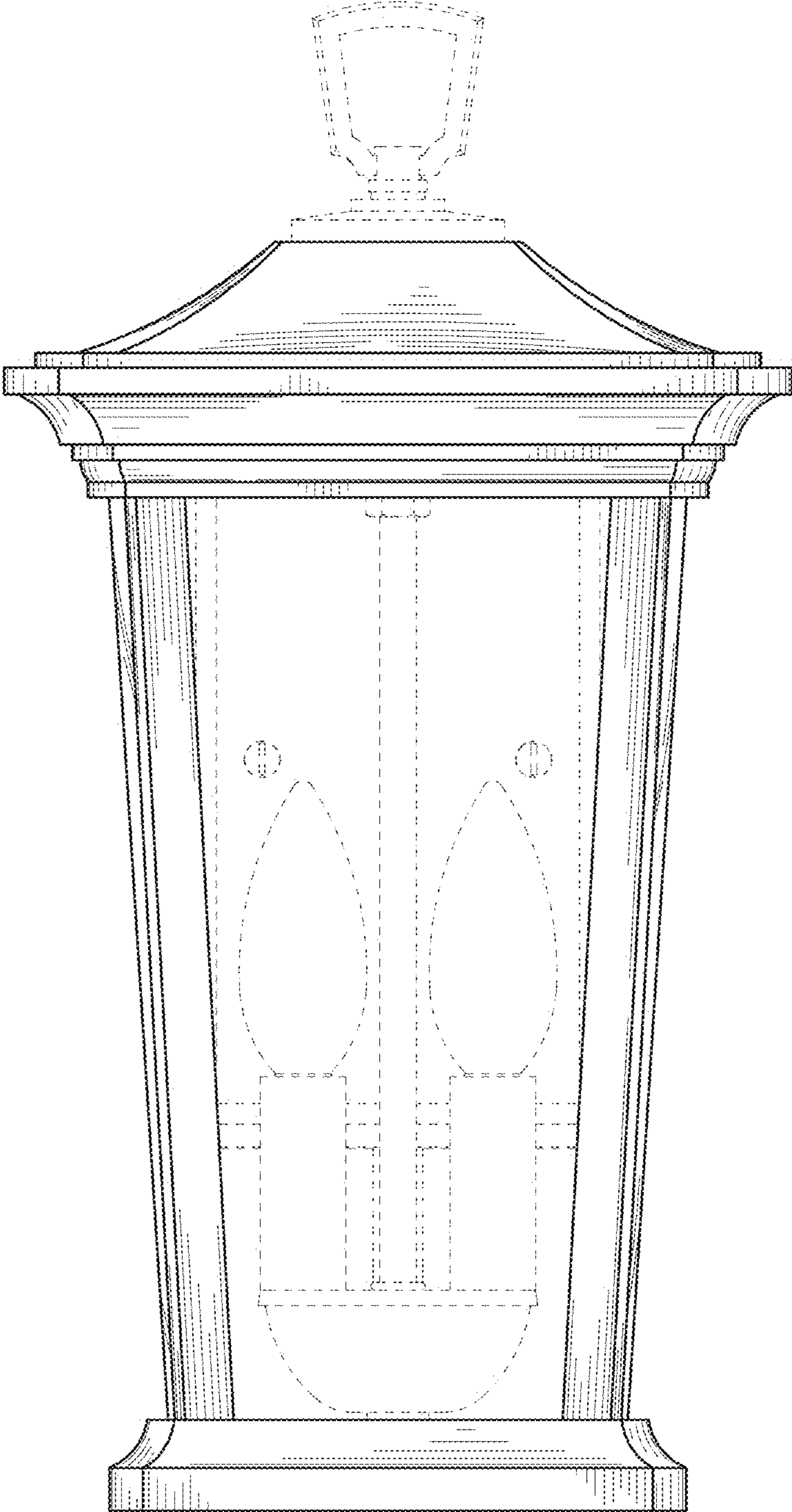


Fig. 4

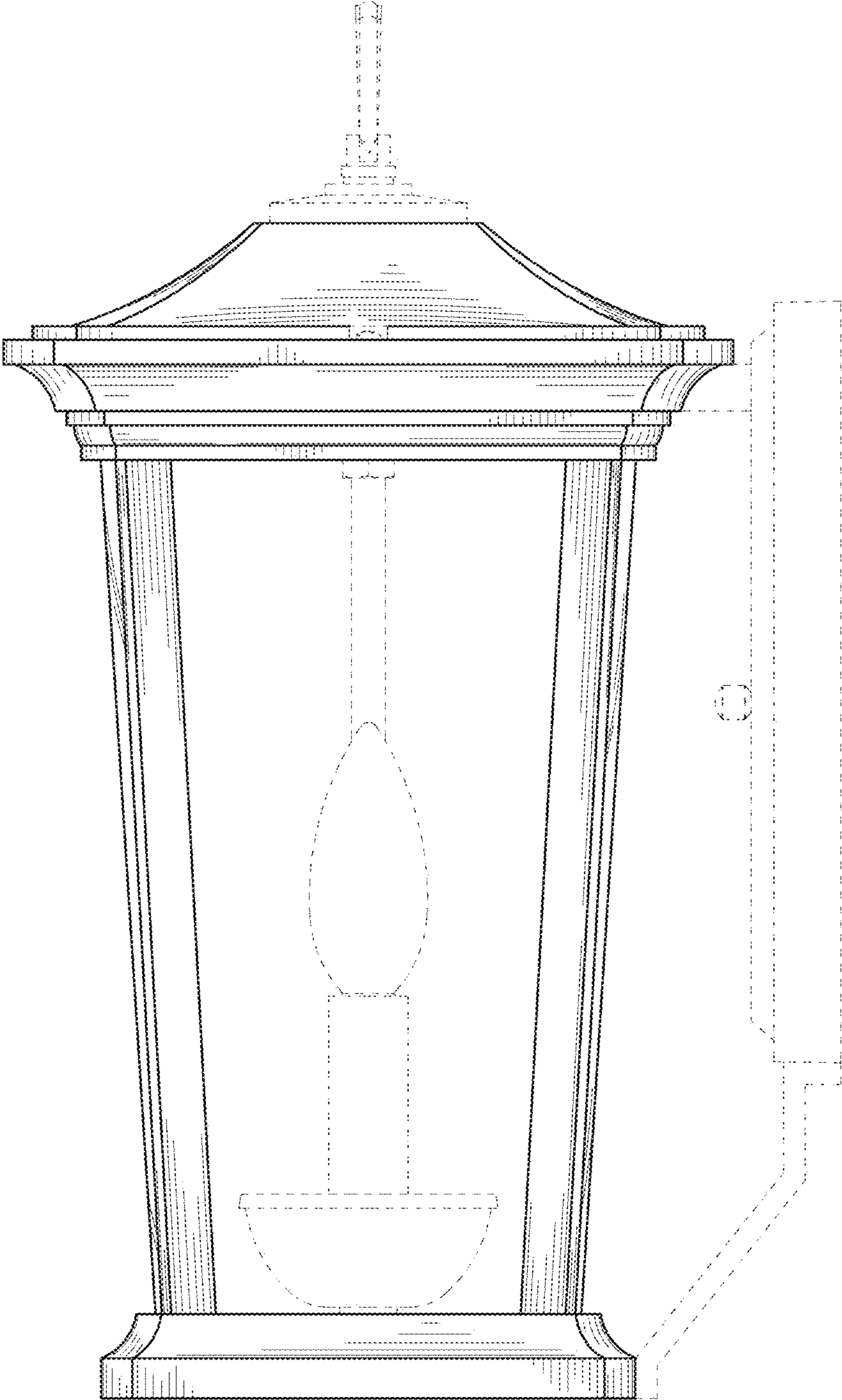


Fig. 5

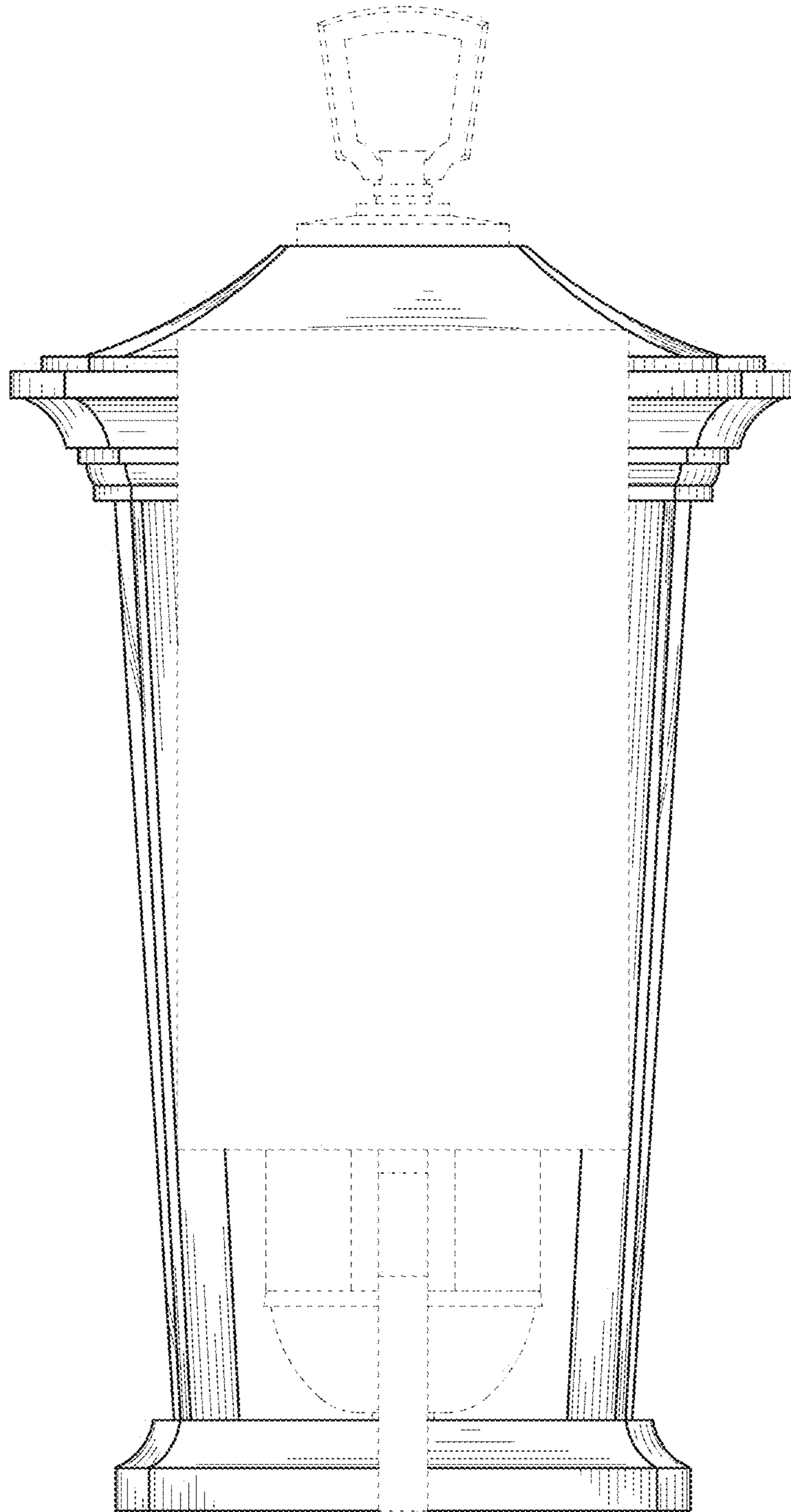


Fig. 6

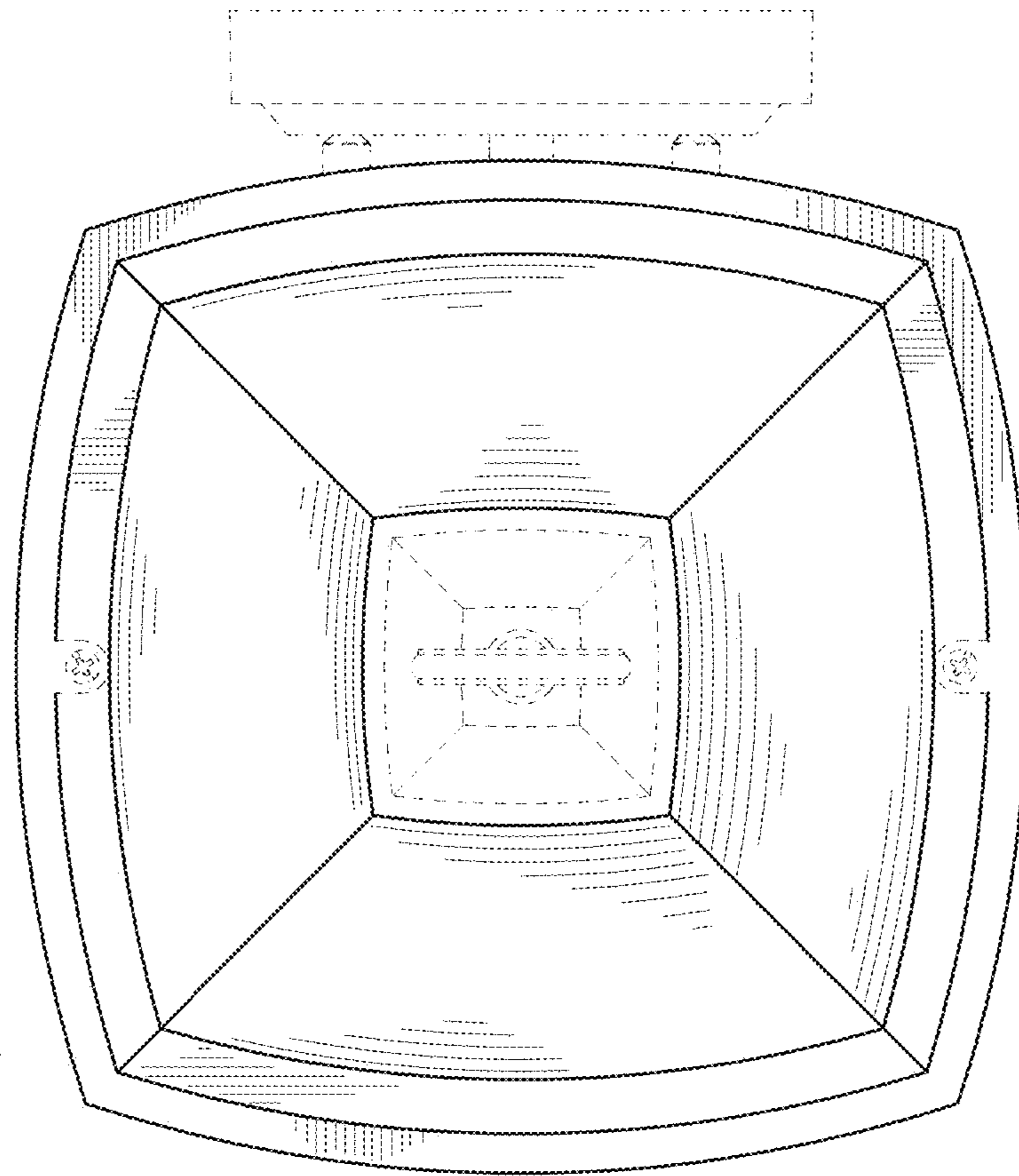


Fig. 7

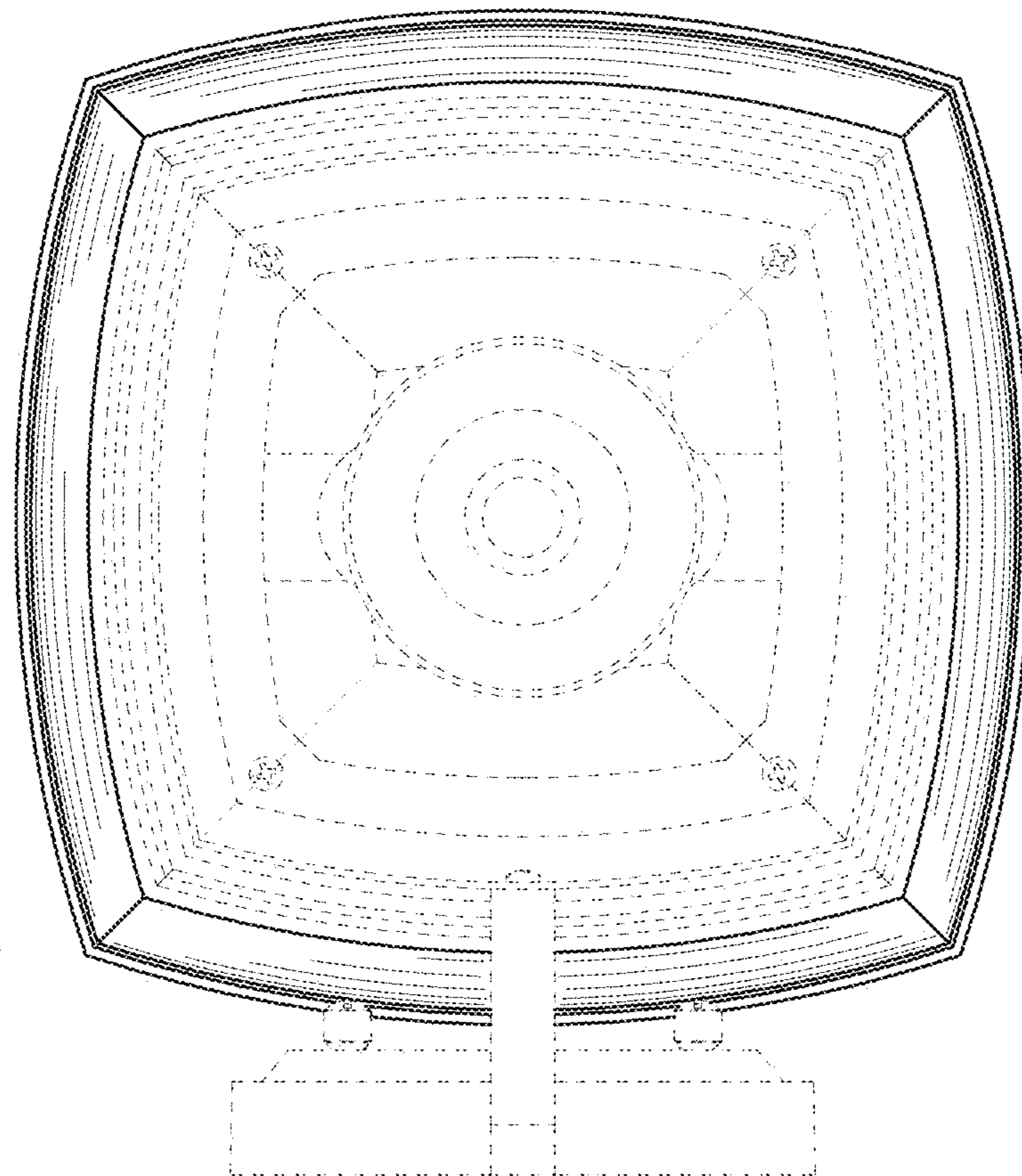


Fig. 8

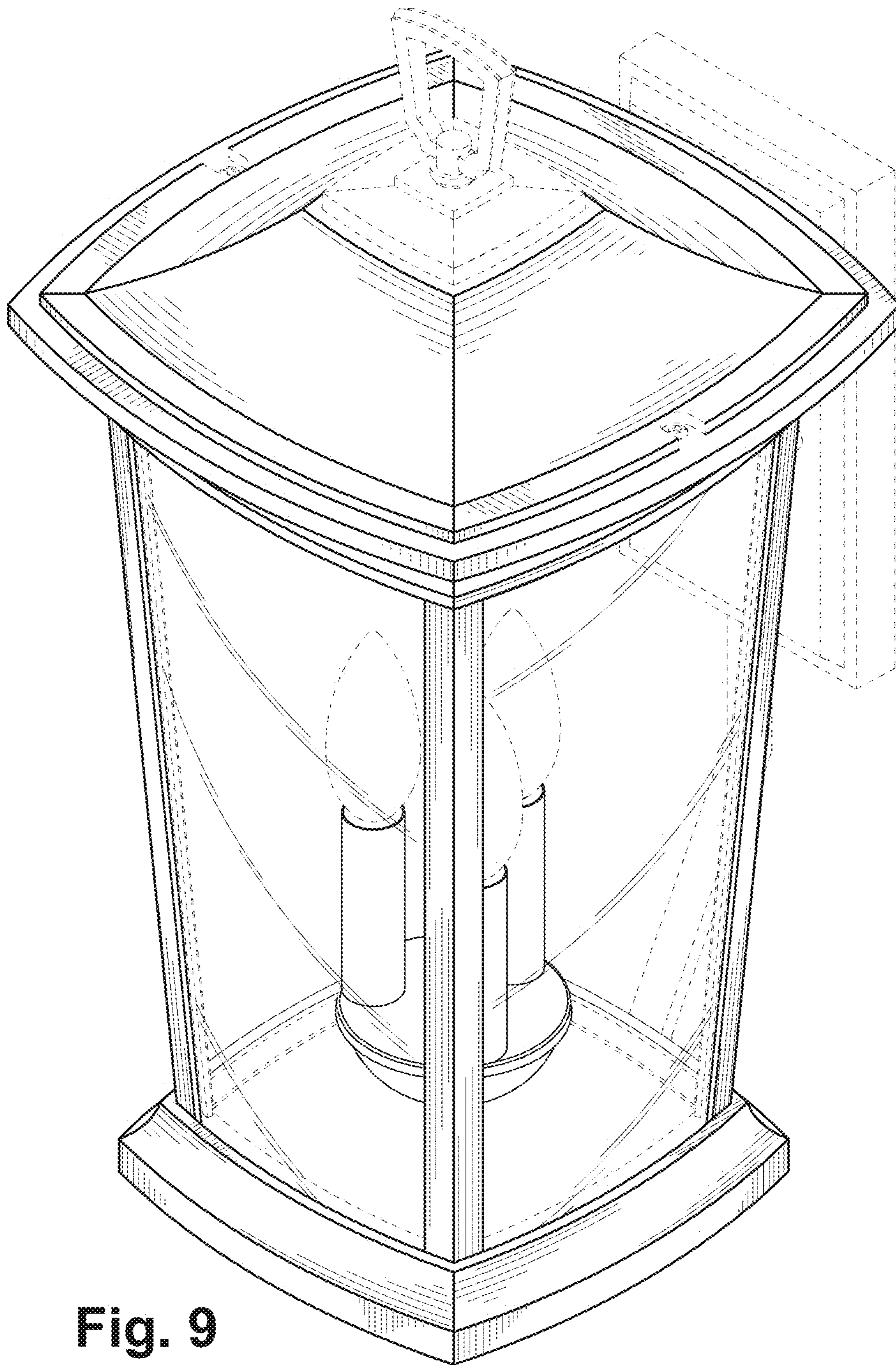


Fig. 9

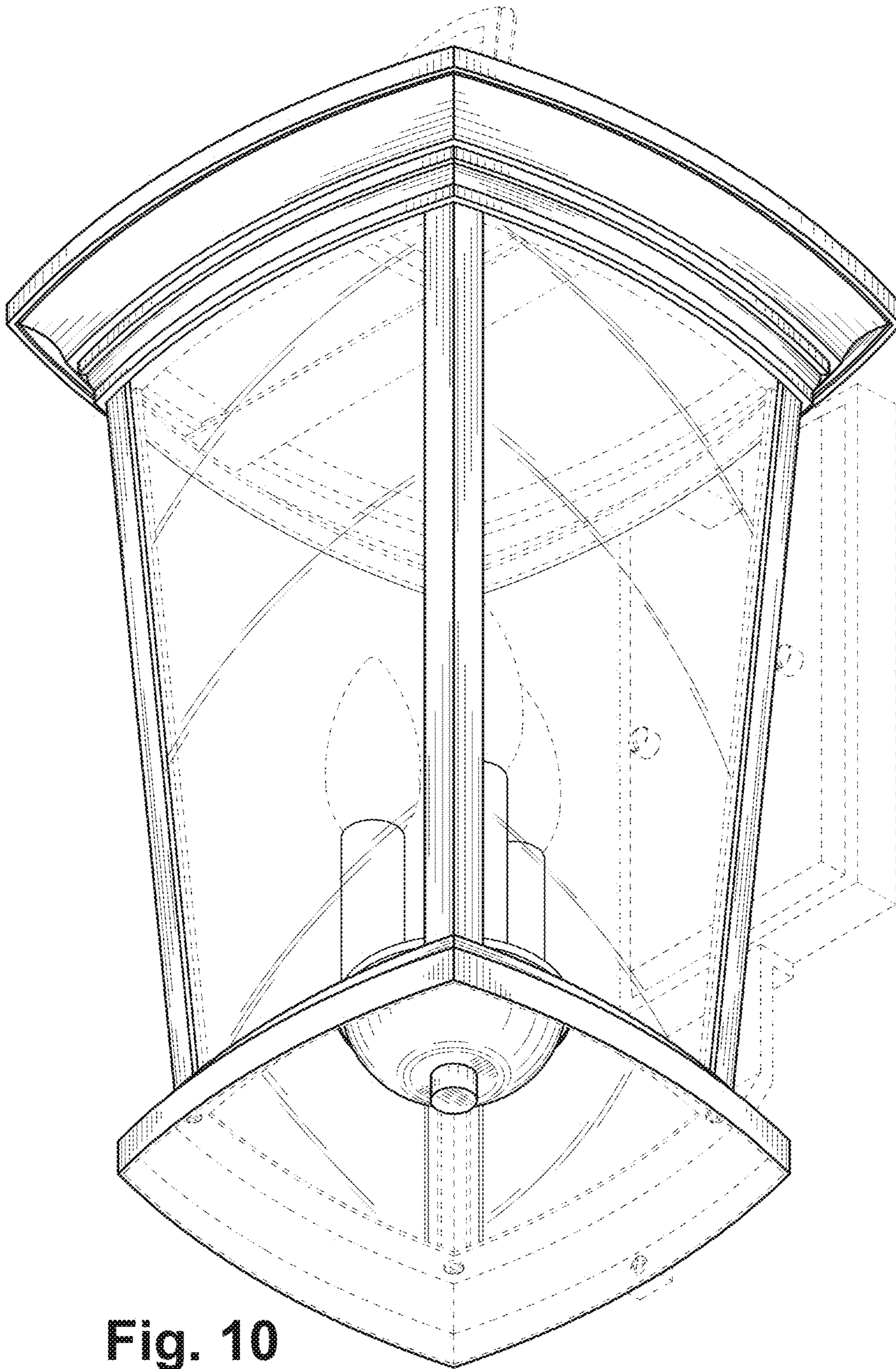


Fig. 10

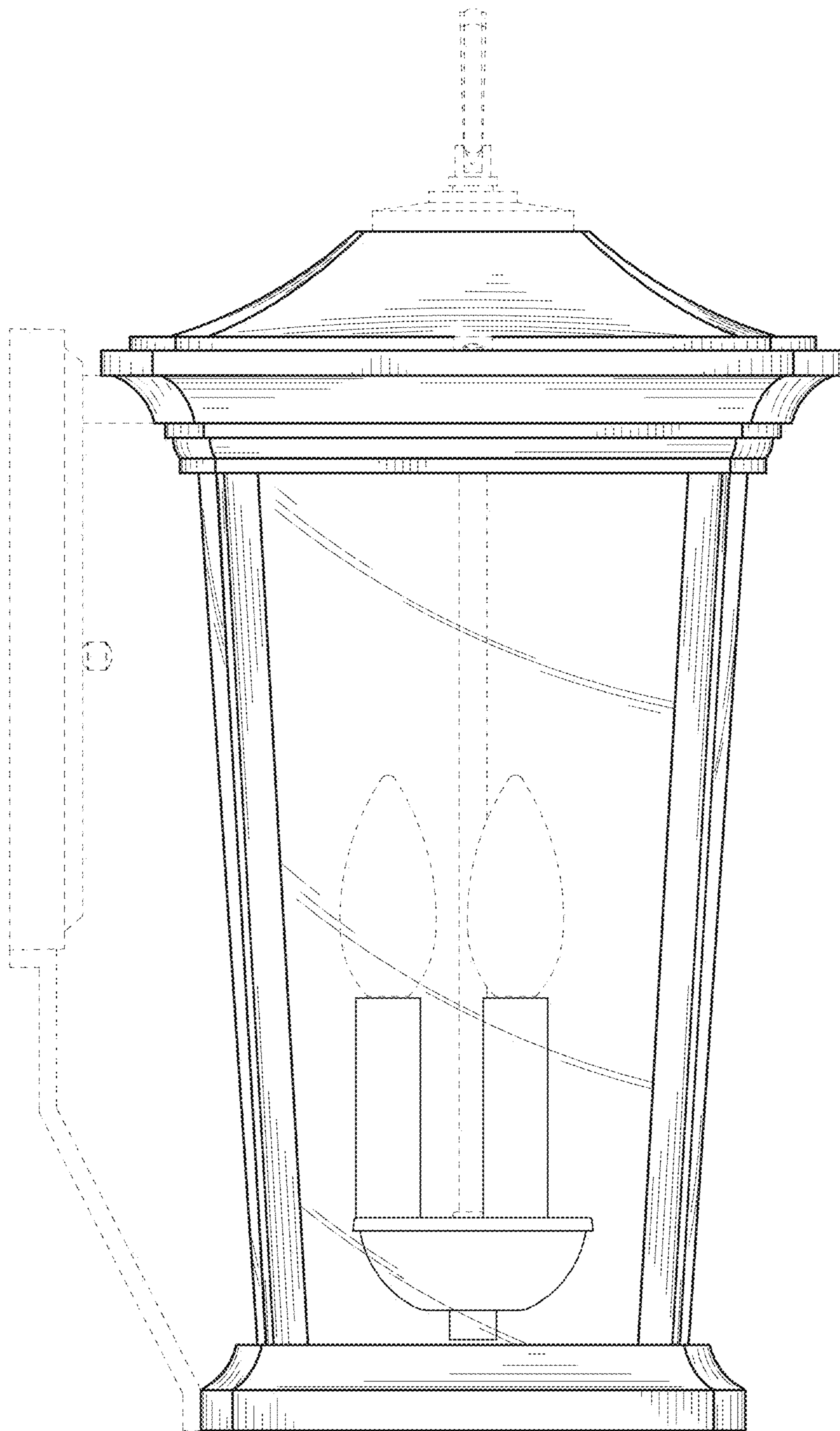


Fig. 11

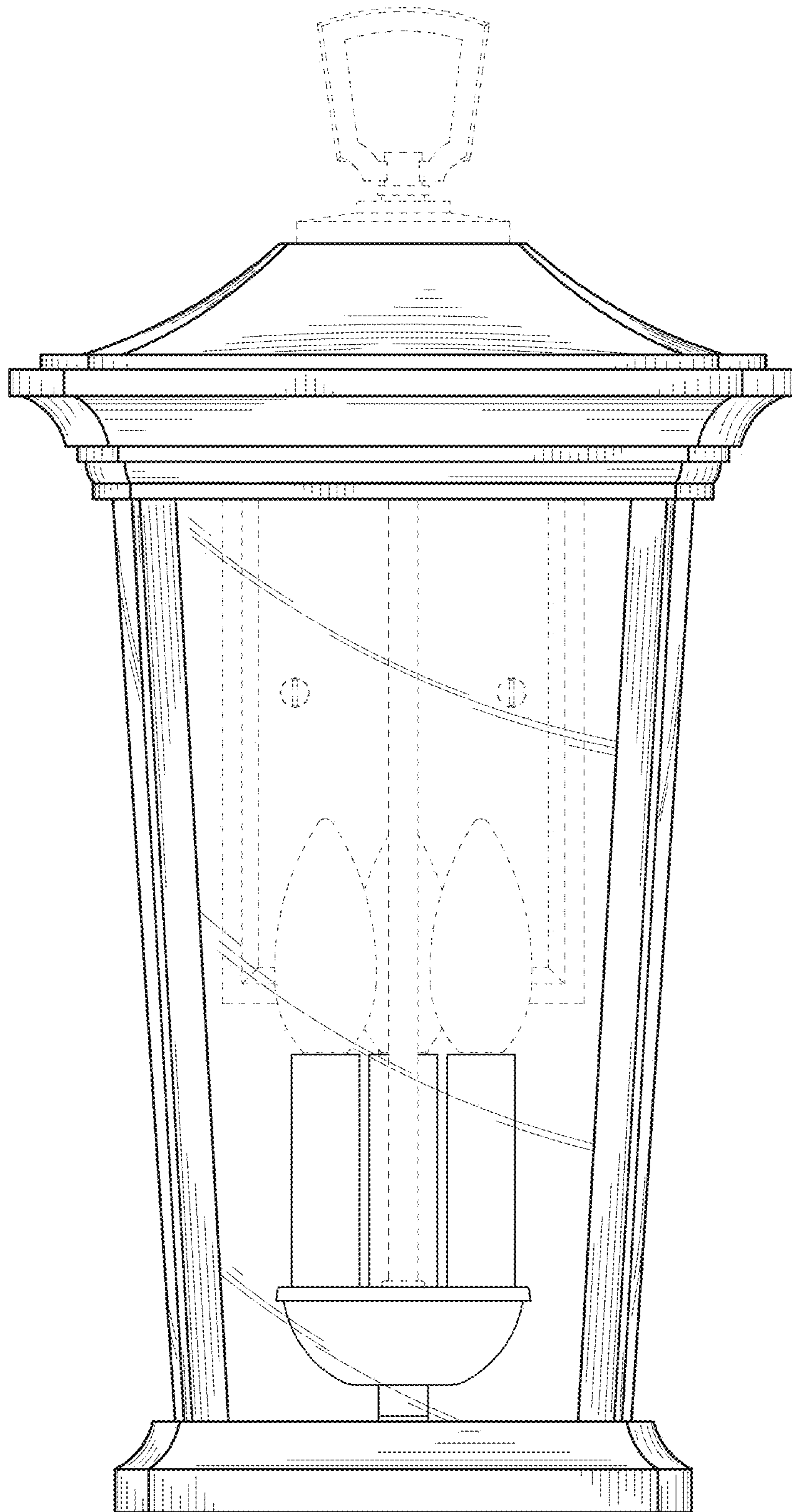


Fig. 12

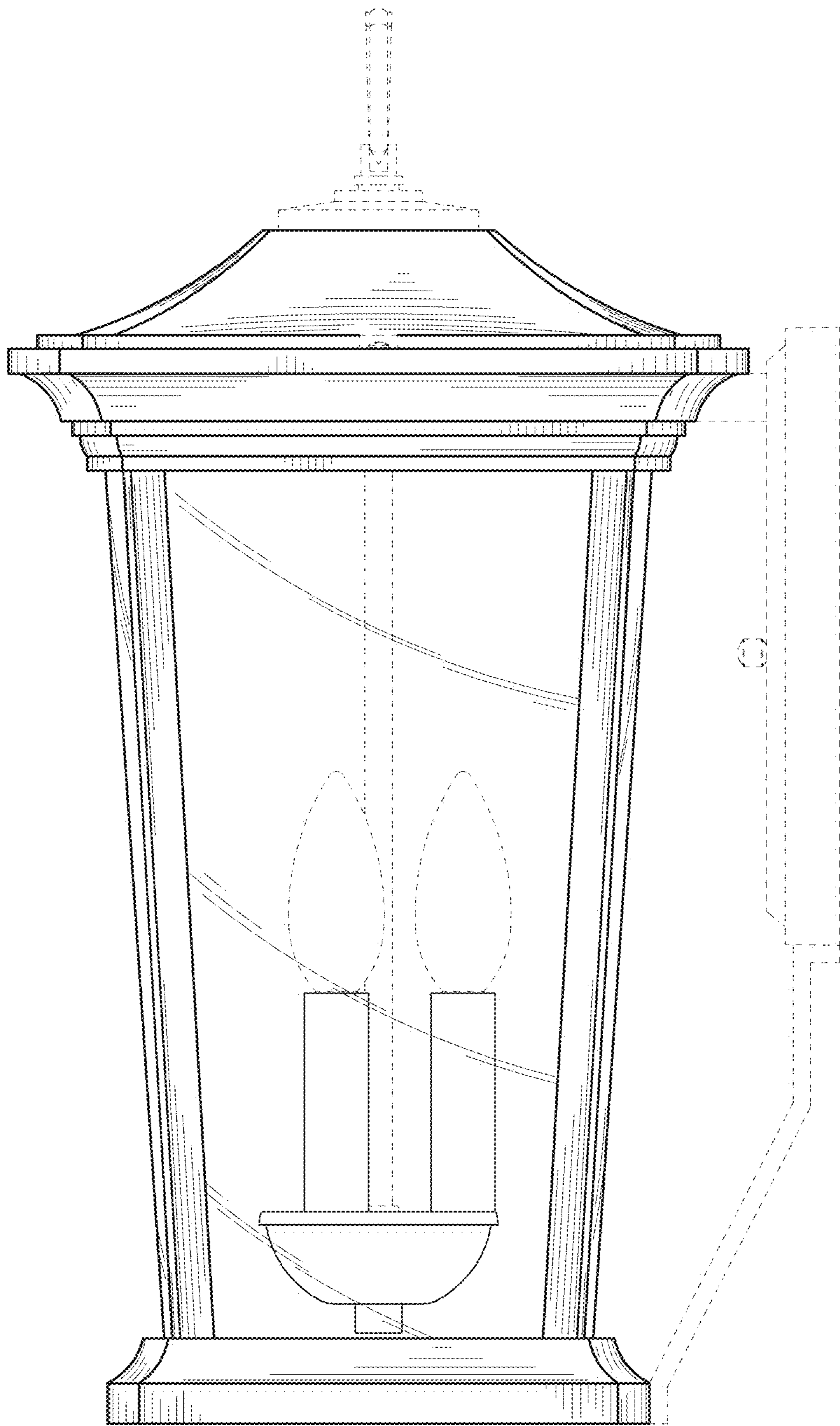


Fig. 13

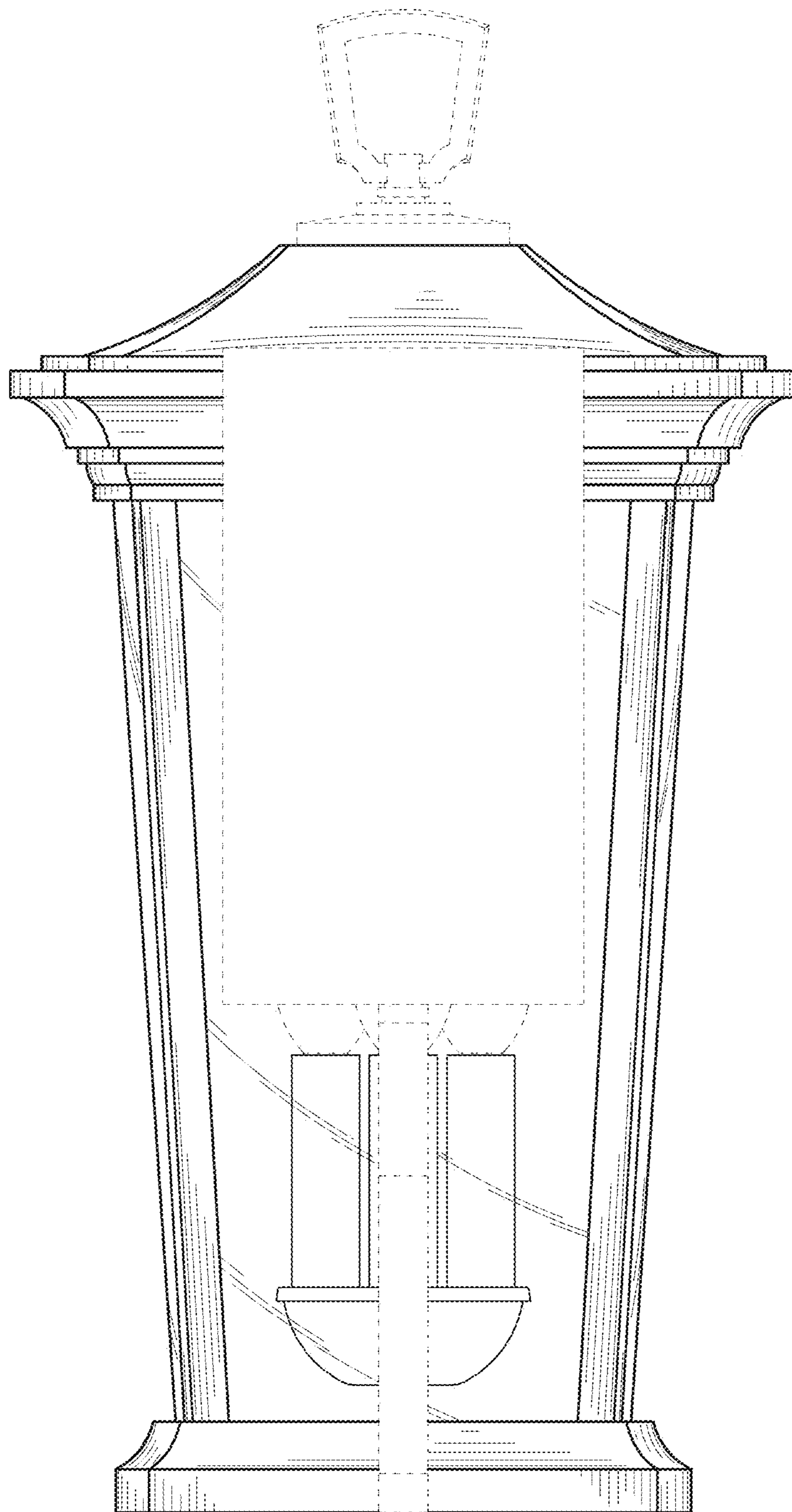


Fig. 14

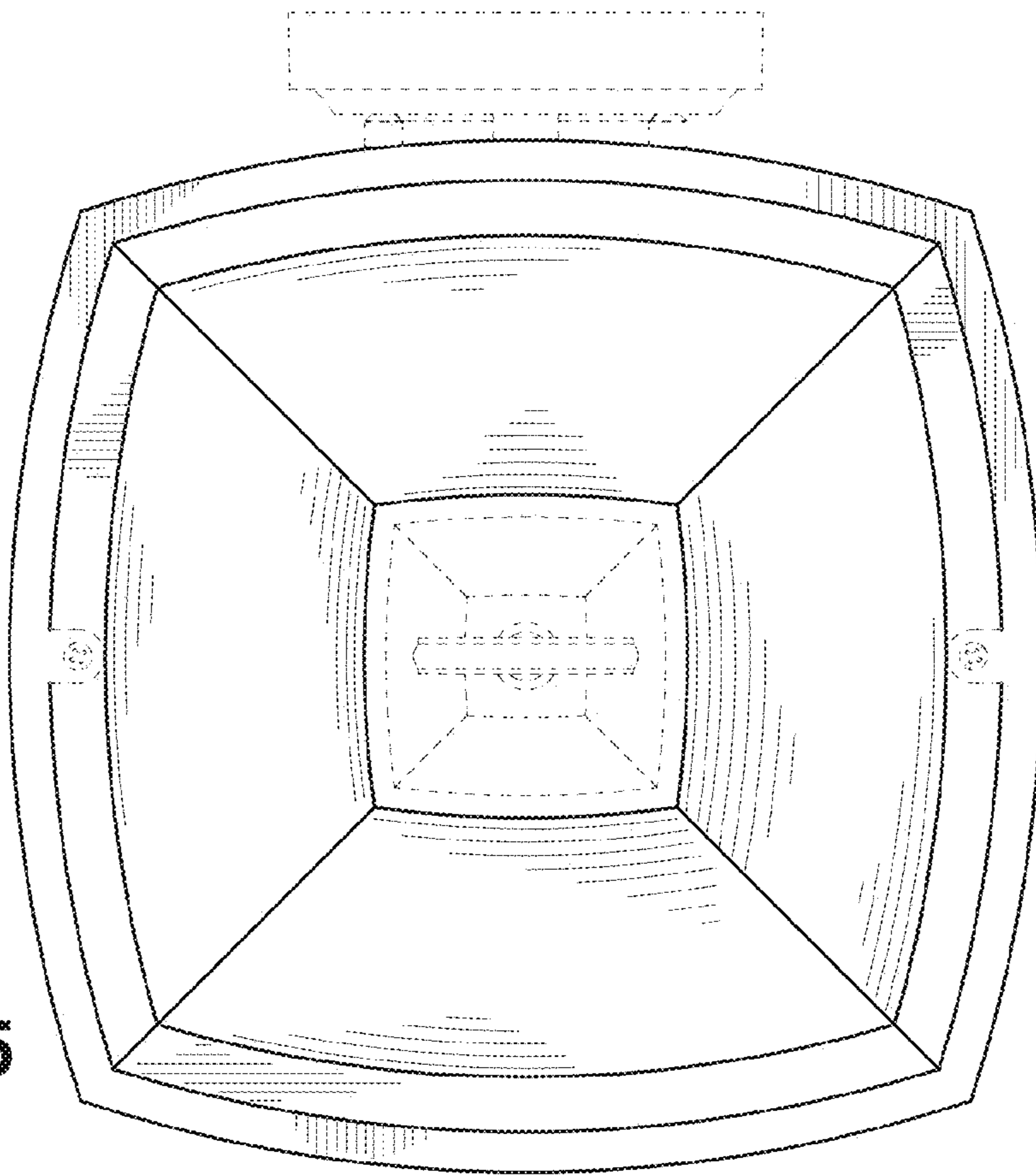


Fig. 15

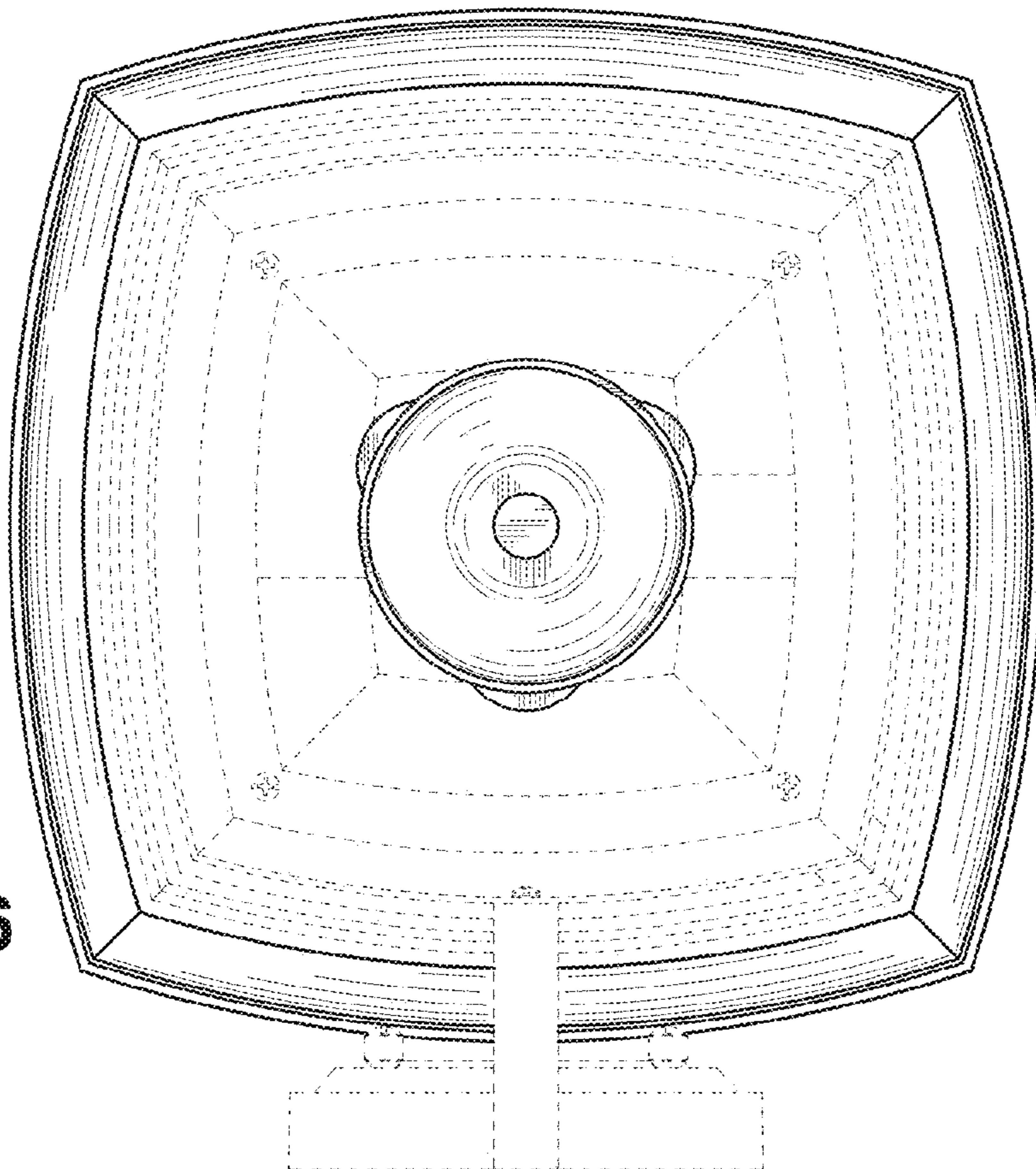


Fig. 16