



US00D942064S

(12) **United States Design Patent**
Zhu et al.

(10) **Patent No.:** **US D942,064 S**
(45) **Date of Patent:** **** Jan. 25, 2022**

(54) **LIGHT FIXTURE**

(71) Applicant: **Hubbell Incorporated**, Shelton, CT
(US)

(72) Inventors: **Zhongjie Zhu**, West Covina, CA (US);
Kevin Lu, Fountain Valley, CA (US);
Syed Raza, Rancho Palos Verdes, CA
(US); **Dean Dal Ponte**, Glendale, CA
(US); **Armin Ahrari**, Chino, CA (US);
Christian Victoria Arechiga, Pomona,
CA (US); **Tomi Lin**, Irvine, CA (US);
Yohanes Hsu, Diamond Bear, CA (US);
Dennis Luu, Cerritos, CA (US)

(73) Assignee: **Hubbell Incorporated**, Shelton, CT
(US)

(**) Term: **15 Years**

(21) Appl. No.: **29/646,211**

(22) Filed: **May 2, 2018**

(51) **LOC (13) Cl.** **26-03**

(52) **U.S. Cl.**
USPC **D26/63**

(58) **Field of Classification Search**
USPC D26/1, 24, 60, 61, 63, 65-67, 72, 75, 80,
D26/85, 92, 102, 113, 138-140, 145
CPC F21S 4/00; F21S 2/00; F21V 3/02; F21V
7/00; F21V 13/04; F21V 15/01; F21V
19/02; F21V 21/00; F21V 21/14; F21V
21/116; F21V 29/00; F21V 29/76; F21V
29/83

See application file for complete search history.

(56) **References Cited**

U.S. PATENT DOCUMENTS

D360,962 S * 8/1995 Cornell D26/63
D392,066 S * 3/1998 Morrow D10/106.1
D550,387 S * 9/2007 Guercio D26/63
D550,392 S * 9/2007 Guercio D26/63
D552,282 S * 10/2007 Guercio D26/63

D552,283 S * 10/2007 Guercio D26/63
D552,778 S * 10/2007 Butler D26/63
D565,223 S * 3/2008 Guercio D26/63

(Continued)

OTHER PUBLICATIONS

KFL Collection from KIM Lighting—Architectural Floodlight Lights, dated Feb. 25, 2019, [online], [site visited Mar. 11, 2021]. Available from Internet, URL: <https://www.youtube.com/watch?v=nXwQd-1ldyU> (Year: 2019).*

KFL RGBW Architectural Floodlights, dated Sep. 28, 2020, [online], [site visited Mar. 11, 2021]. Available from Internet, URL: <https://www.hubbell.com/kimlighting/en/Products/Lighting-Controls/Commercial-Outdoor-Lighting/Flood-Lighting/KFL-RGBW-Architectural-Floodlights/p/3245567> (Year: 2020).*

(Continued)

Primary Examiner — Shawn T Gingrich

(74) *Attorney, Agent, or Firm* — Michael Best & Friedrich LLP

(57) **CLAIM**

We claim the ornamental design for a light fixture, as shown and described.

DESCRIPTION

FIG. 1 is a perspective view of a light fixture showing our new design.

FIG. 2 is another perspective view of the light fixture shown in FIG. 1.

FIG. 3 is a top plan view of the light fixture shown in FIG. 1.

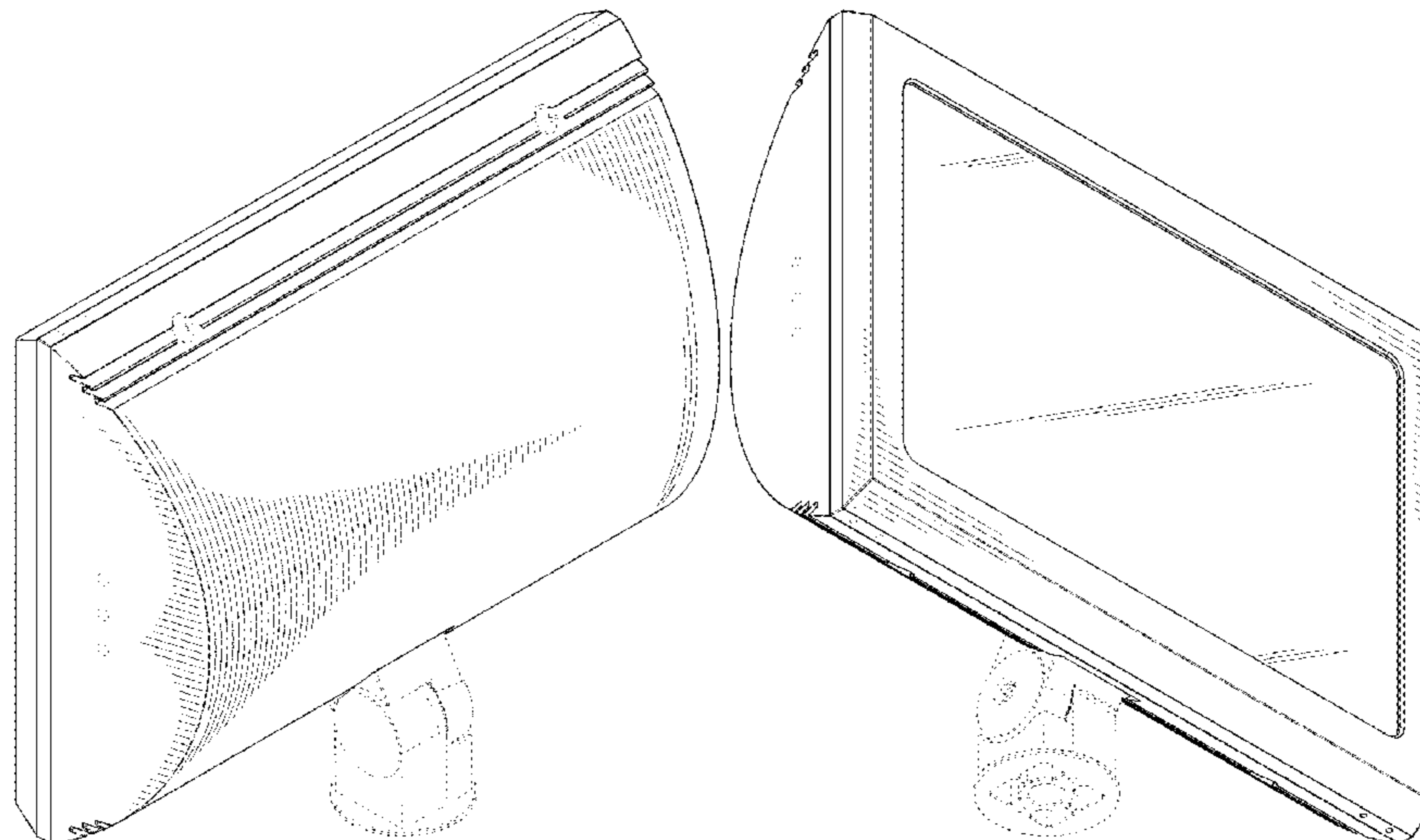
FIG. 4 is a first side view of the light fixture shown in FIG. 1.

FIG. 5 is a second side view of the light fixture shown in FIG. 1.

FIG. 6 is a rear view of the light fixture shown in FIG. 1; and, FIG. 7 is a front view of the light fixture shown in FIG. 1.

The broken lines shown in the drawings illustrate portions of the light fixture that form no part of the claimed design.

1 Claim, 6 Drawing Sheets



(56)

References Cited

U.S. PATENT DOCUMENTS

D565,772	S *	4/2008	Guercio	D26/63
D583,977	S *	12/2008	Guercio	D26/85
D584,445	S *	1/2009	Guercio	D26/85
D643,147	S *	8/2011	Guercio	D26/118
D693,509	S *	11/2013	Hosick	D26/63
D736,984	S *	8/2015	Dal Ponte	D26/92
D744,684	S *	12/2015	Guercio	D26/63
D804,074	S *	11/2017	Fang	D26/65
10,480,756	B1 *	11/2019	Oh	F21V 5/04
2007/0236942	A1 *	10/2007	Tsao	F21V 15/01 362/351
2009/0116247	A1 *	5/2009	Kauffman	F21V 23/026 362/346

OTHER PUBLICATIONS

Philips Color Kinetics, “ColorReach Powercore gen 2—Premium long-throw exterior LED floodlight with intelligent color light”, Product Guide, copyright 2017. (18 pages).

Philips Color Kinetics, “ColorBlast 12—The original exterior LED wash fixture with intelligent color light”, Specification Sheet, copyright 2016 (4 pages).

Philips Color Kinetics, “Burst Powercore gen2 Accessories”, Installation Instructions, copyright 2016 (8 pages).

Philips Color Kinetics, “ColorBurst IntelliHue Powercore, ColorBurst Powercore gen2” Installation Instructions, copyright 2016 (8 pages).

Lumenpulse Group Inc., “lumenbeam Grande” Specification Sheet, copyright 2017 (15 pages).

* cited by examiner

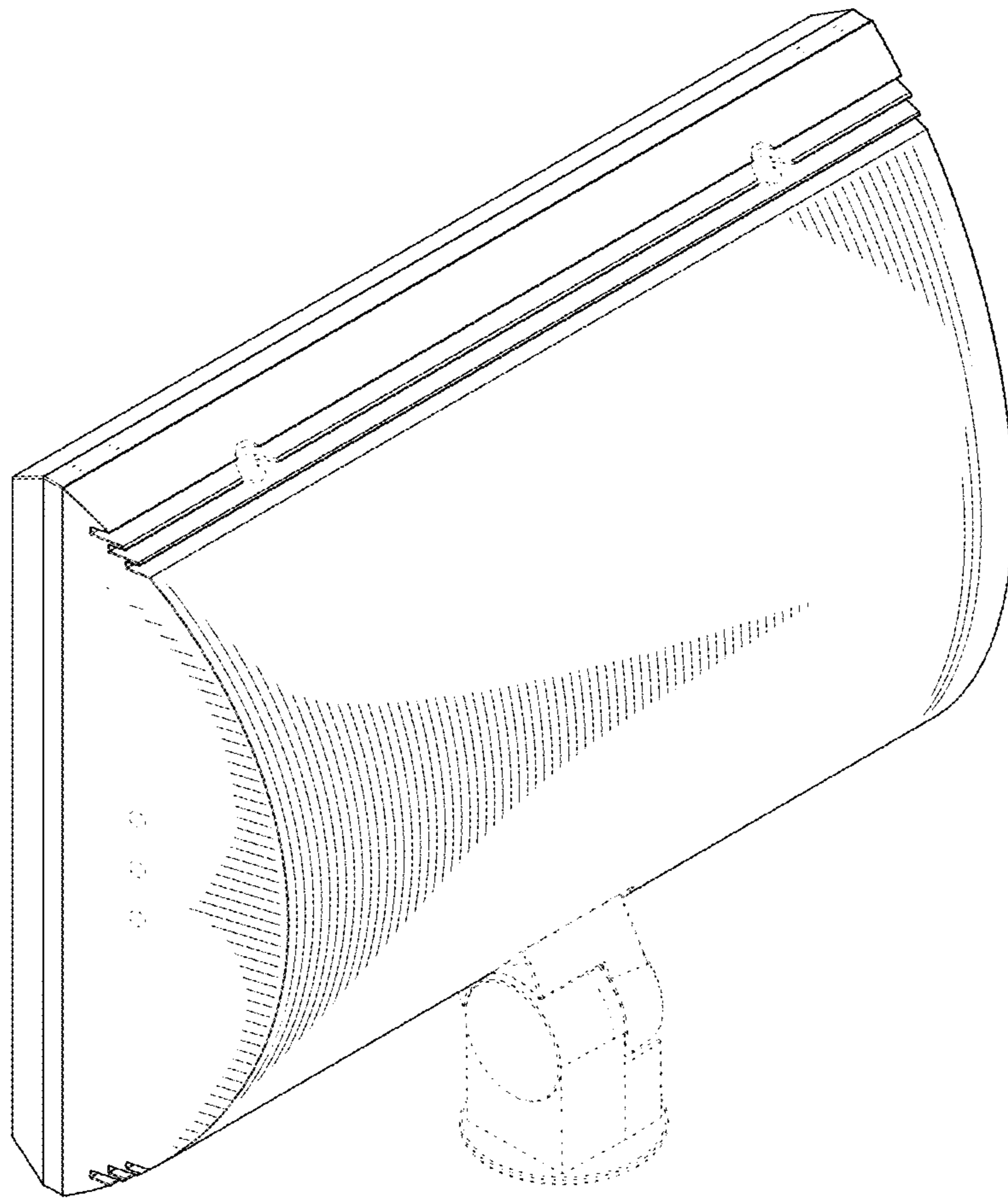


FIG. 1

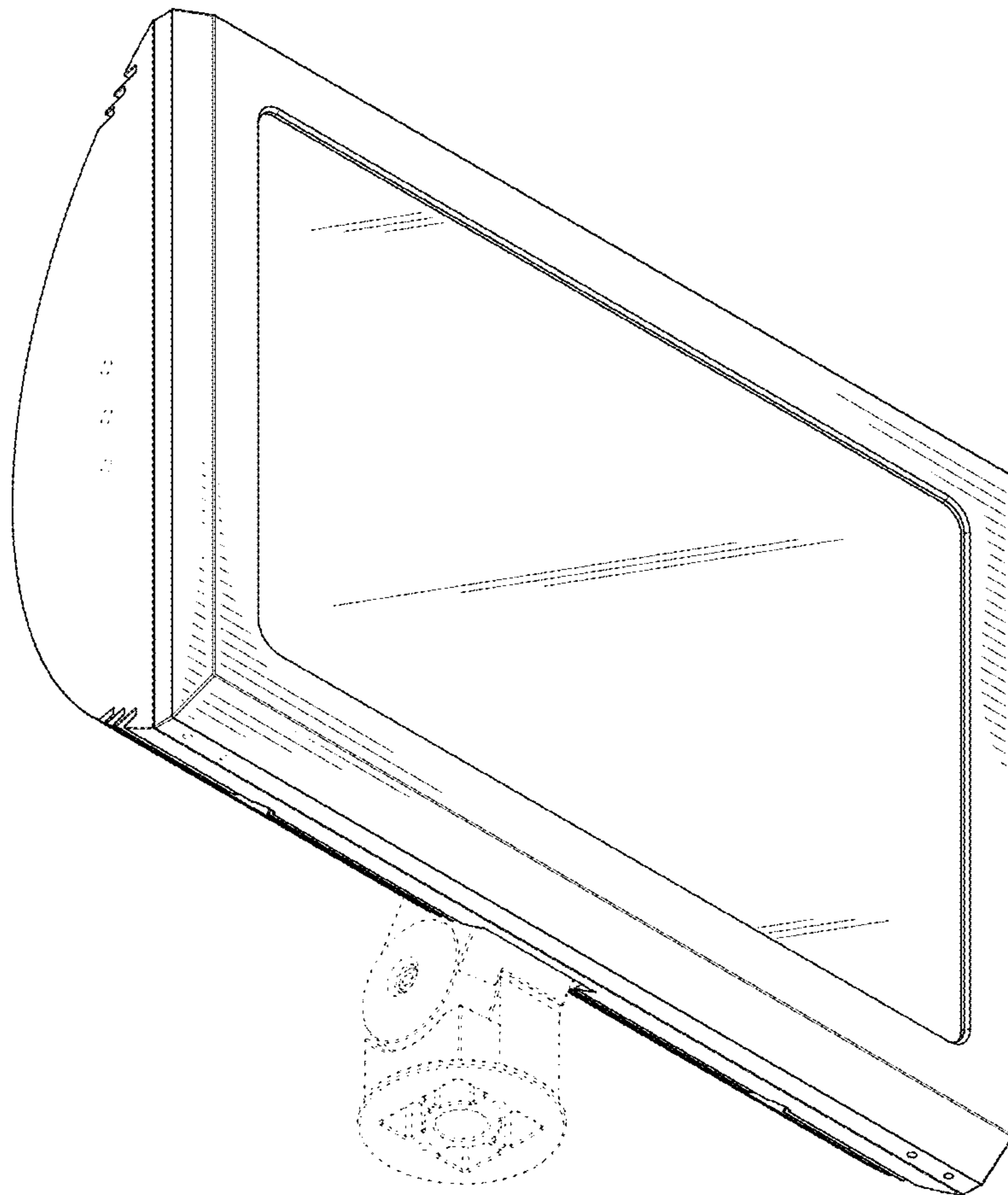


FIG. 2

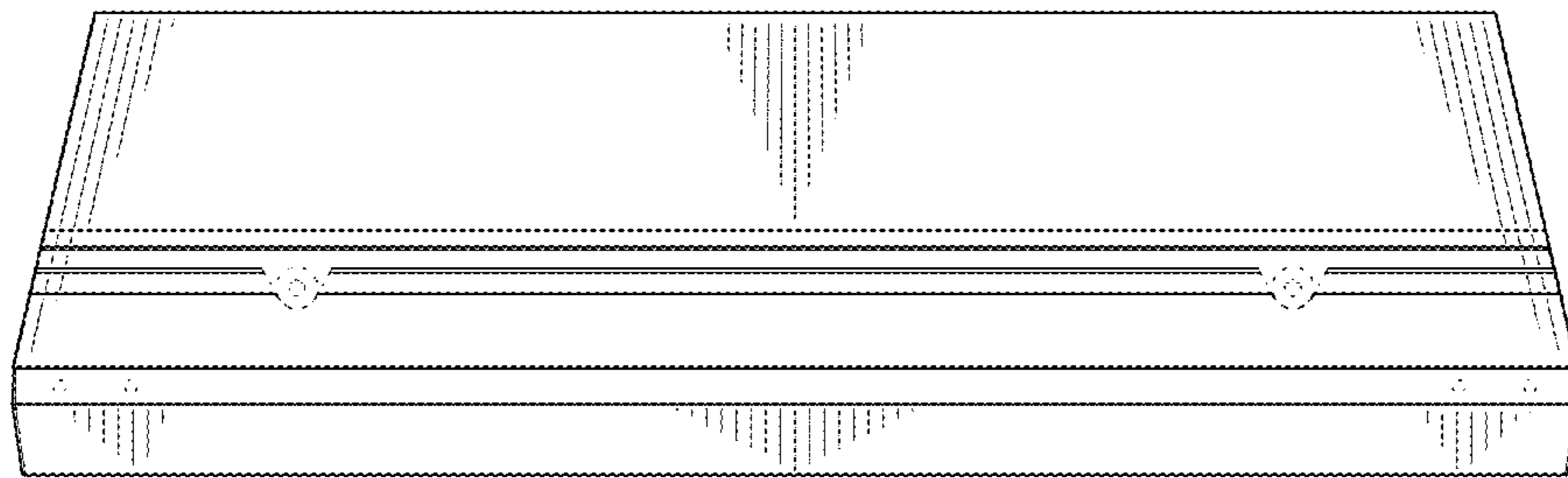


FIG. 3

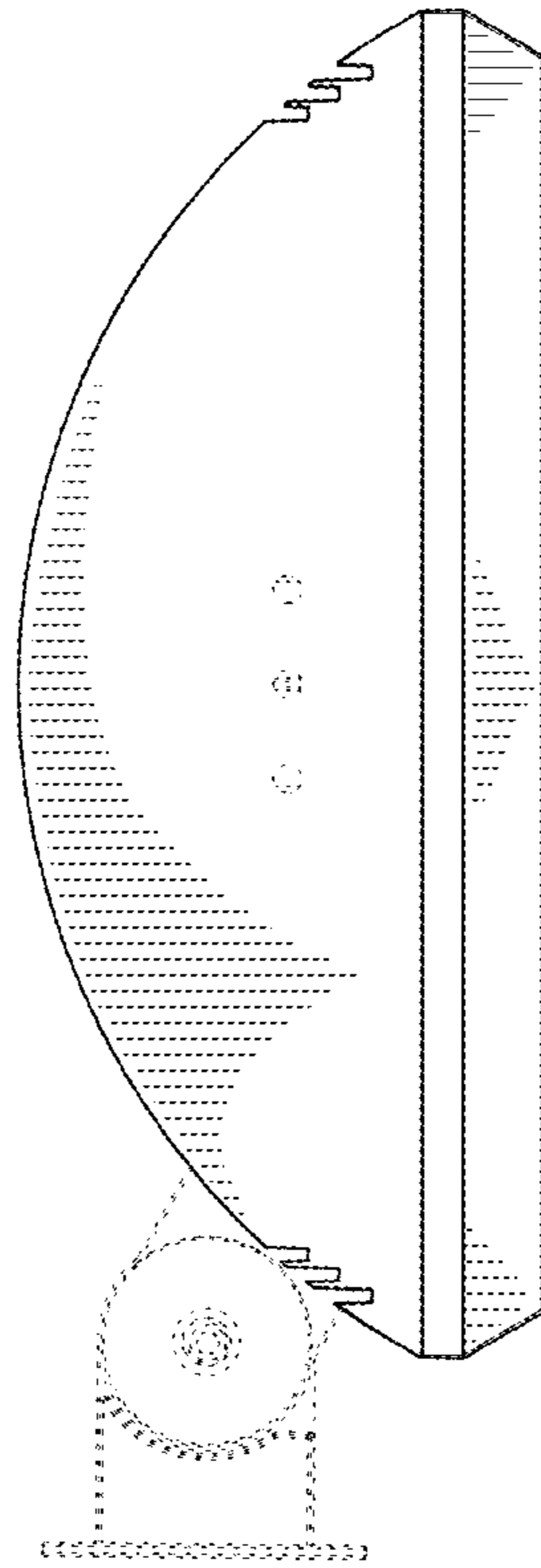


FIG. 4

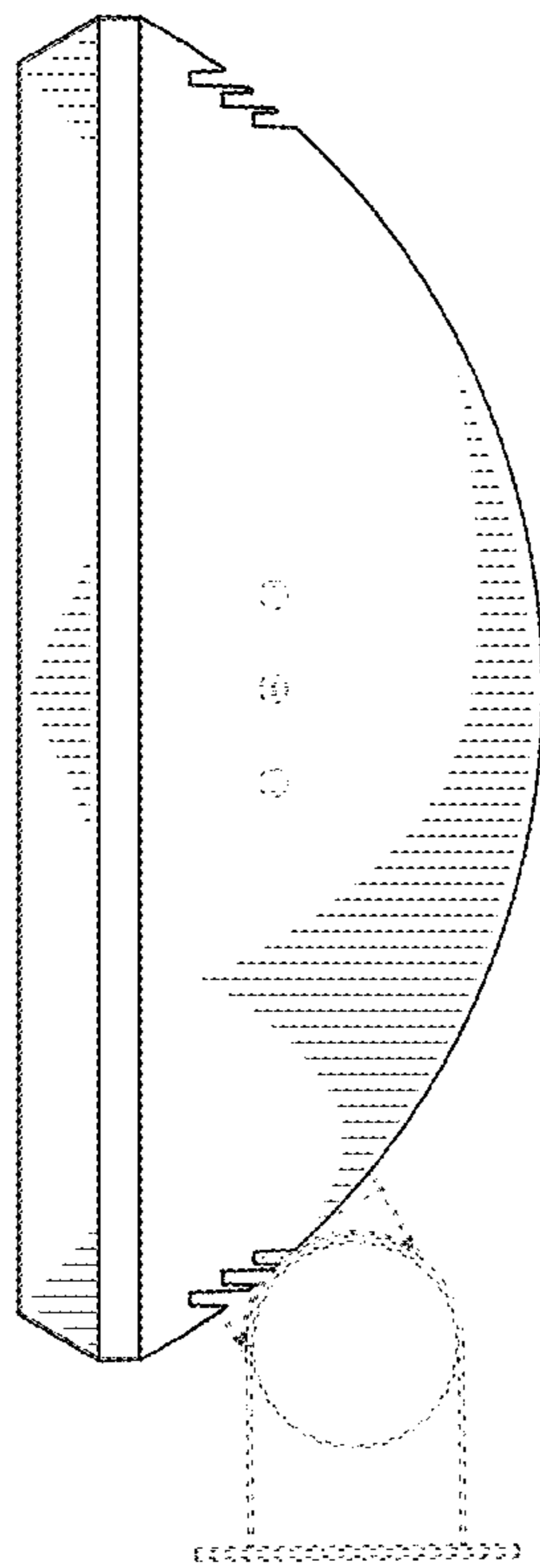


FIG. 5

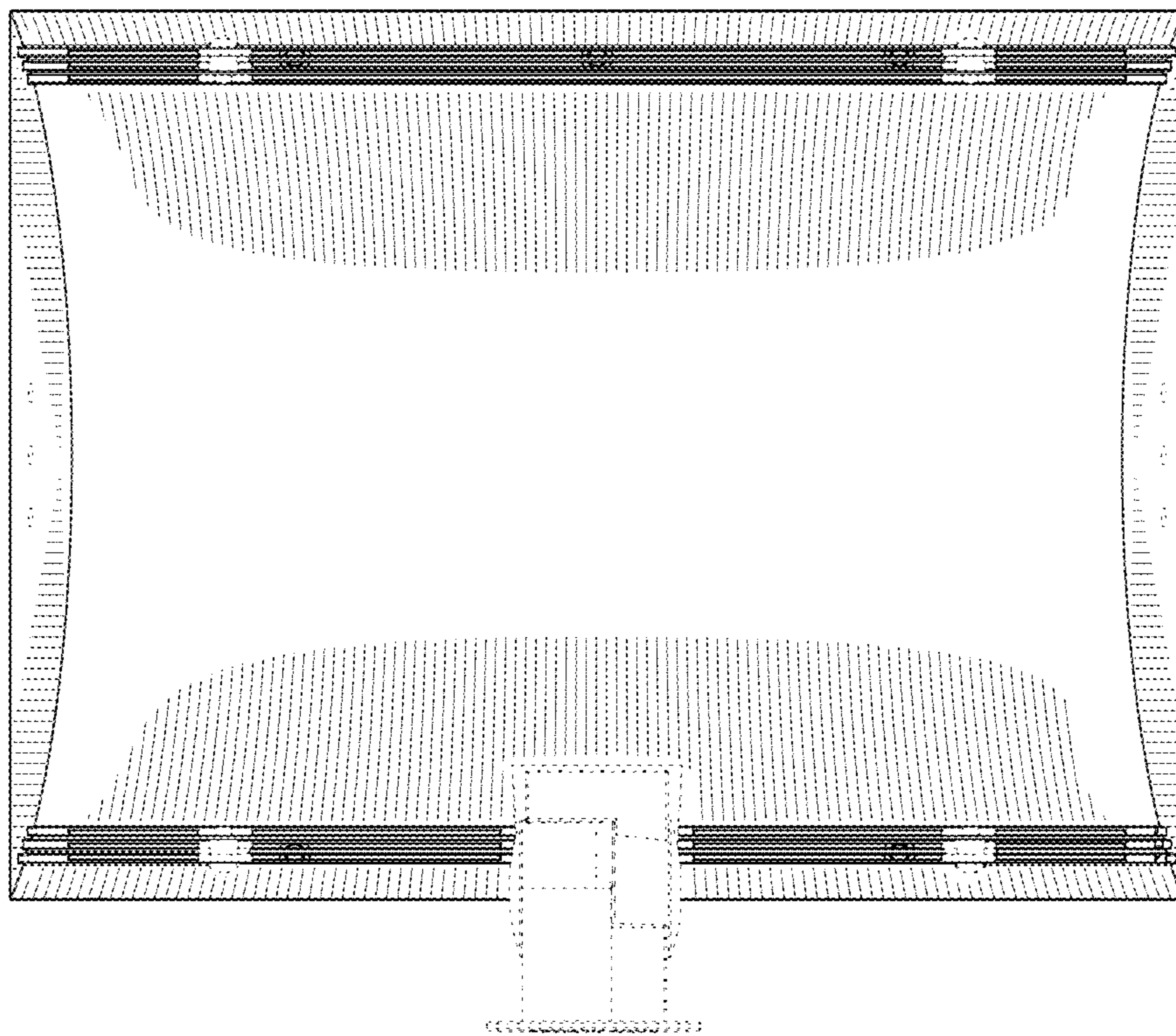


FIG. 6

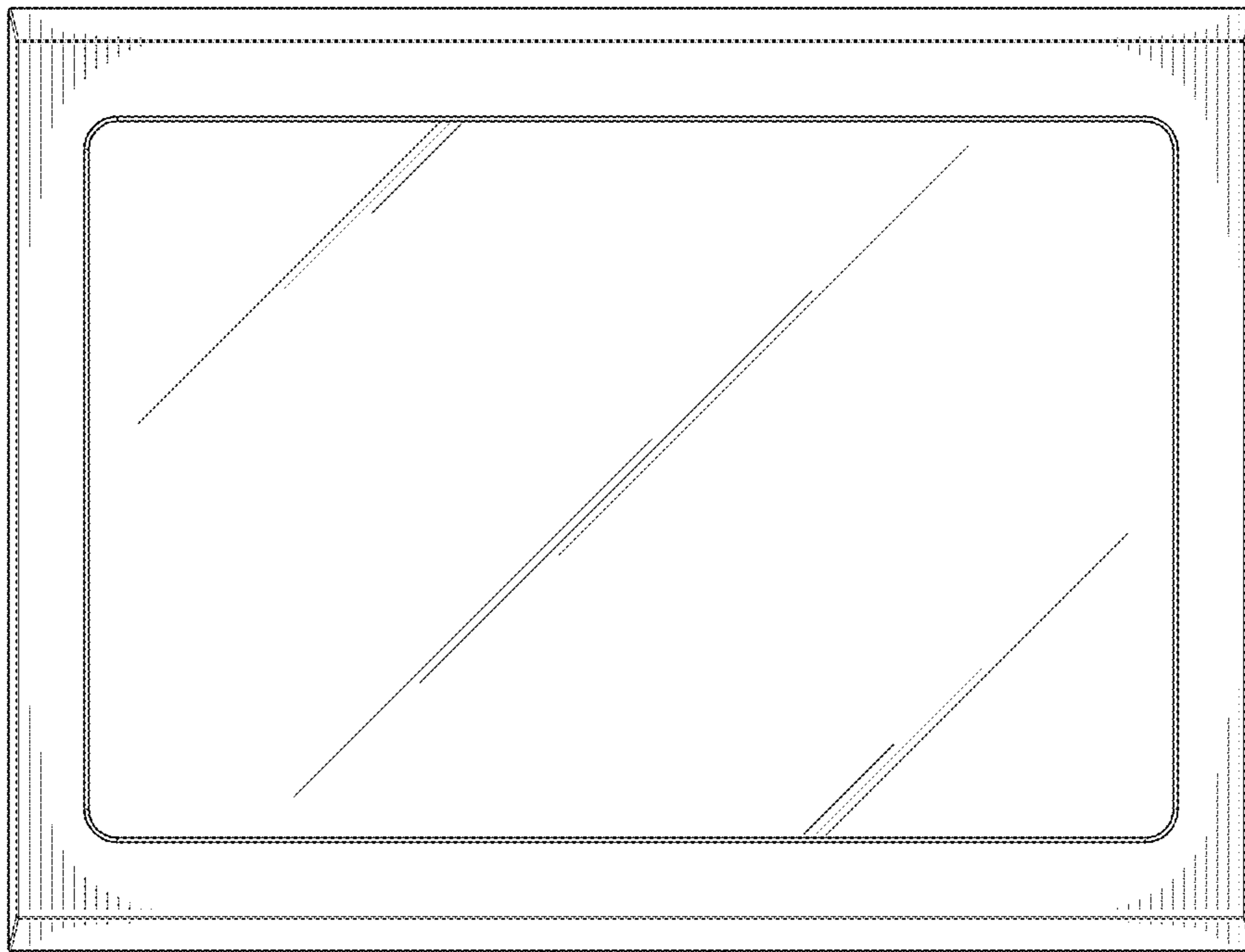


FIG. 7

FIG. 7