



US00D942062S

(12) **United States Design Patent**
Ma

(10) **Patent No.:** **US D942,062 S**
(45) **Date of Patent:** **** Jan. 25, 2022**

- (54) **FLASHLIGHT**
- (71) Applicant: **Energizer Brands, LLC**, St. Louis, MO (US)
- (72) Inventor: **Eliza Ma**, Hong Kong (CN)
- (73) Assignee: **Energizer Brands, LLC**, St. Louis, MO (US)
- (**) Term: **15 Years**
- (21) Appl. No.: **29/655,094**
- (22) Filed: **Jun. 29, 2018**
- (51) **LOC (13) Cl.** **26-02**
- (52) **U.S. Cl.**
USPC **D26/49**
- (58) **Field of Classification Search**
USPC D26/37-51
CPC F21L 2003/00; F21L 4/005; F21L 4/025; F21L 4/027; F21L 4/04; F21L 4/08; F21L 13/00; F21L 13/08; F21L 14/02; F21L 19/00; F21L 2/00; F21L 4/00-4/085; F21L 15/00-15/14; F21L 2001/00; F21L 2005/00; F21L 25/00
See application file for complete search history.

- D449,395 S 10/2001 Dalton et al.
 - D449,703 S 10/2001 Dalton et al.
 - D452,024 S 12/2001 Sharrah
 - D452,025 S * 12/2001 Poon D26/49
 - D455,513 S 4/2002 Galli
- (Continued)

FOREIGN PATENT DOCUMENTS

- CN 302415703 4/2013
 - CN 305190490 5/2019
- (Continued)

OTHER PUBLICATIONS

Energizer Hard Case Professional Light, [online], [site visited Nov. 13, 2020], [Available from Internet], URL:<https://www.amazon.com/Energizer-Hard-Case-Professional-Light/dp/B000R8J8CQ?ref_ast_sto_dp&th=1&psc=1>5 pages (Year: 2007).*

(Continued)

Primary Examiner — Leanne Was-Englehart
(74) *Attorney, Agent, or Firm* — Alston & Bird LLP

(57) **CLAIM**

The ornamental design for a flashlight, as shown and described.

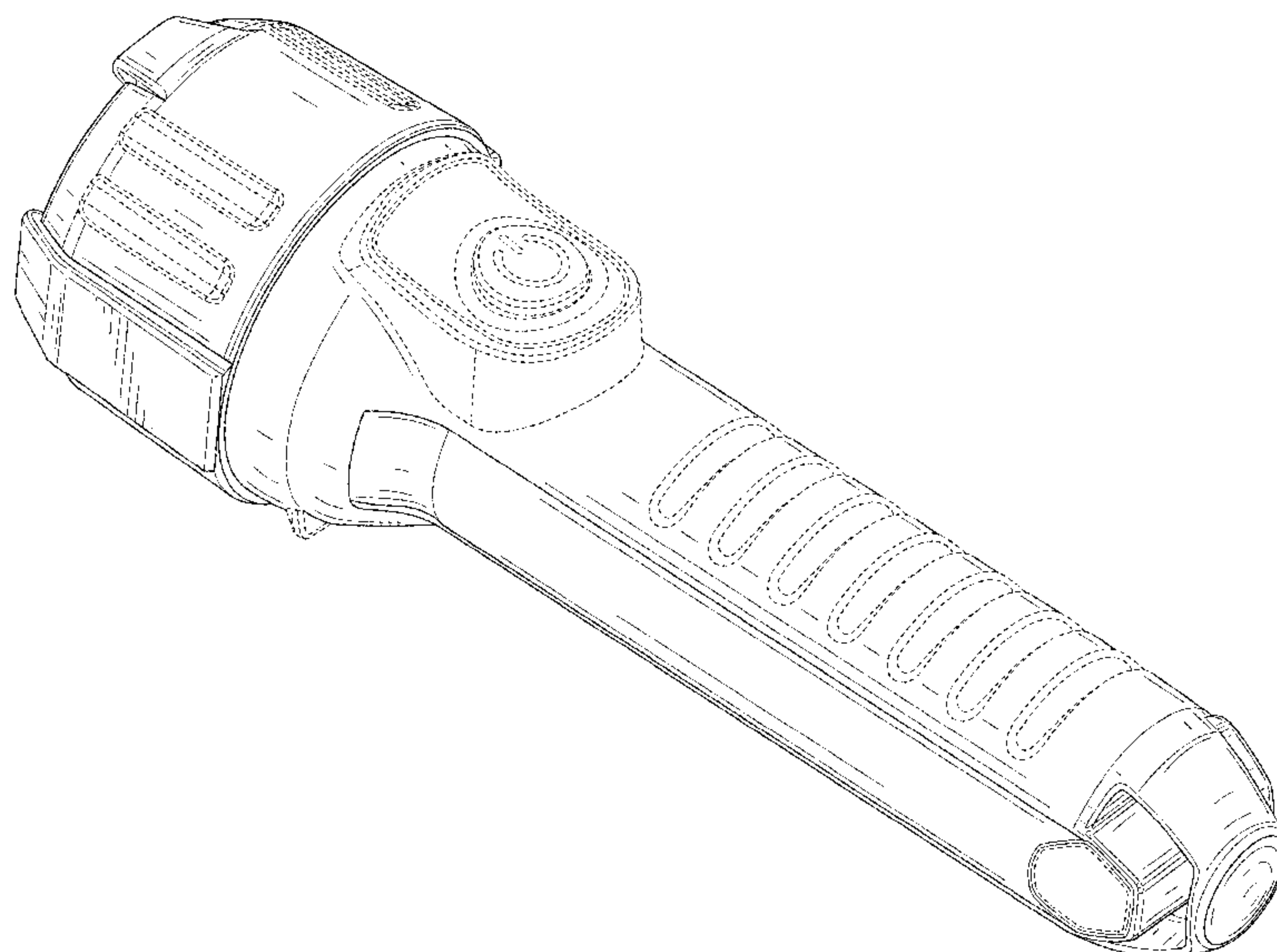
DESCRIPTION

FIG. 1 is a top perspective view of a flashlight; FIG. 2 is a bottom perspective view of the flashlight of FIG. 1; FIG. 3 is a top view of the flashlight of FIG. 1; FIG. 4 is a bottom view of the flashlight of FIG. 1; FIG. 5 is a first side view of the flashlight of FIG. 1; FIG. 6 is a second side view of the flashlight of FIG. 1; FIG. 7 is a front view of the flashlight of FIG. 1; and, FIG. 8 is a back view of the flashlight of FIG. 1. The broken lines show portions of the flashlight which form no part of the claimed design.

1 Claim, 7 Drawing Sheets

(56) **References Cited**
U.S. PATENT DOCUMENTS

- 2,855,499 A 10/1958 Lewis
- 3,737,650 A 6/1973 Kaye et al.
- 4,803,605 A 2/1989 Schaller et al.
- D315,608 S 3/1991 Petterson et al.
- D336,966 S 6/1993 Yau
- D356,650 S 3/1995 Petterson et al.
- D360,045 S * 7/1995 Inukai D26/49
- D421,145 S * 2/2000 Man D26/49
- D445,934 S 7/2001 Dalton et al.
- D447,259 S 8/2001 Lynch et al.
- D448,876 S 10/2001 Osiecki et al.
- D448,878 S 10/2001 Dalton et al.



(56)

References Cited

U.S. PATENT DOCUMENTS

D465,865 S 11/2002 Hamilton et al.
 D467,375 S 12/2002 Dalton et al.
 D480,824 S 10/2003 Englert et al.
 D480,825 S 10/2003 Englert et al.
 D480,826 S 10/2003 Englert et al.
 D483,784 S 12/2003 Ting
 D492,807 S 7/2004 Dalton et al.
 D493,904 S 8/2004 Dalton et al.
 D494,299 S 8/2004 Dalton et al.
 D494,694 S 8/2004 Krieger et al.
 D496,116 S 9/2004 Abernethy et al.
 D496,482 S 9/2004 Osiecki et al.
 D499,499 S 12/2004 Cetera
 D501,056 S 1/2005 Dalton et al.
 D502,278 S 2/2005 Dalton et al.
 D502,564 S 3/2005 Dalton et al.
 D503,991 S 4/2005 Dalton et al.
 D504,534 S 4/2005 Osiecki et al.
 D504,737 S 5/2005 Osiecki et al.
 D504,740 S 5/2005 Dalton et al.
 D504,966 S 5/2005 Osiecki et al.
 D507,064 S 7/2005 Osiecki et al.
 D507,364 S 7/2005 Lo
 D514,721 S 2/2006 Osiecki et al.
 D518,216 S 3/2006 Rugendyke et al.
 D518,217 S 3/2006 Rugendyke et al.
 D520,161 S 5/2006 Krieger et al.
 7,070,297 B1 7/2006 Muhl nickel, Jr.
 D531,337 S 10/2006 Dalton et al.
 D531,747 S 11/2006 Brown
 D536,464 S 2/2007 Kingston et al.
 D544,118 S 6/2007 Osiecki et al.
 D549,373 S 8/2007 Osiecki et al.
 D549,377 S 8/2007 Osiecki et al.
 D552,279 S 10/2007 Osiecki et al.
 D552,280 S 10/2007 Osiecki et al.
 D552,776 S 10/2007 Osiecki et al.
 D553,283 S 10/2007 Rugendyke et al.
 D554,786 S 11/2007 Rugendyke et al.
 D560,297 S 1/2008 Brown et al.
 D562,480 S 2/2008 Spartano et al.
 D574,529 S 8/2008 Squires et al.
 D577,140 S 9/2008 Brown et al.
 D579,135 S * 10/2008 Shiu D26/49
 D582,915 S 12/2008 Leung
 D589,635 S 3/2009 Rugendyke et al.
 D598,151 S * 8/2009 McGraw D26/49
 D603,990 S 11/2009 Brown et al.
 D605,795 S * 12/2009 Baker D26/44
 D617,023 S 6/2010 Rugendyke et al.
 D620,161 S * 7/2010 Kang D26/45
 D625,448 S 10/2010 Brown et al.
 D628,727 S * 12/2010 Risch D26/49
 D629,941 S 12/2010 Robinson et al.
 D630,783 S 1/2011 Baker et al.
 D637,747 S * 5/2011 Hesse D26/49
 D641,510 S * 7/2011 Wang D26/46
 D658,322 S 4/2012 Wu
 D661,734 S 6/2012 Johnson
 D675,764 S 2/2013 Boutet et al.
 D676,170 S 2/2013 Feng et al.
 D681,858 S * 5/2013 Sharrah D26/49
 D687,995 S * 8/2013 Yeh D26/49
 D688,401 S * 8/2013 Kung D26/46
 D689,229 S * 9/2013 Yeh D26/49
 D689,230 S * 9/2013 Yeh D26/49
 D690,448 S * 9/2013 Yeh D26/46
 D706,476 S 6/2014 Lee
 D707,869 S * 6/2014 Wu D26/46
 8,783,908 B2 7/2014 Gross et al.
 D716,983 S * 11/2014 Ma D26/49
 D728,139 S * 4/2015 Wang D26/49
 D742,570 S * 11/2015 Brown D26/46
 D743,075 S 11/2015 Keaton
 D744,136 S * 11/2015 Osiecki D26/49

D757,850 S 5/2016 Zhang
 D765,899 S 9/2016 Hine et al.
 D767,184 S 9/2016 Fitch et al.
 D767,187 S 9/2016 Hine
 D770,071 S 10/2016 Windom et al.
 D772,456 S 11/2016 Bertken
 D785,841 S 5/2017 Brown et al.
 D785,940 S 5/2017 Reed
 D788,965 S 6/2017 Roshak et al.
 D798,482 S 9/2017 O'Doherty et al.
 D799,087 S 10/2017 Koshiba
 D806,295 S 12/2017 Kang et al.
 9,845,938 B1 12/2017 Kaye et al.
 D810,978 S 2/2018 Windom
 D811,636 S 2/2018 Galli et al.
 9,933,146 B2 4/2018 Maglica et al.
 D817,528 S 5/2018 Wu
 D818,621 S 5/2018 Kunzendorf
 D822,864 S 7/2018 Windom
 D826,439 S 8/2018 Ma
 D833,661 S * 11/2018 Ma D26/45
 D837,428 S * 1/2019 Arena D26/44
 D840,854 S 2/2019 Shi et al.
 D844,874 S 4/2019 Eichelberger et al.
 D846,783 S 4/2019 Eichelberger
 D849,979 S 5/2019 Lehovetzki
 D851,310 S * 6/2019 Windom D26/49
 D851,797 S 6/2019 Sharrah
 D855,850 S * 8/2019 Brown D26/46
 D858,831 S * 9/2019 Proeber D26/37
 D866,030 S * 11/2019 Bao D26/44
 D866,830 S 11/2019 Pan et al.
 D871,639 S 12/2019 Prieto
 D882,840 S 4/2020 Liu
 D883,546 S * 5/2020 Li D26/49
 D891,663 S 7/2020 Weizel
 D894,456 S 8/2020 Luo
 D895,868 S 9/2020 Christensen
 D897,578 S 9/2020 Le
 D897,579 S 9/2020 Le
 D905,885 S 12/2020 Kotsis et al.
 D907,826 S 1/2021 Christensen
 D914,938 S 3/2021 Qiu
 D917,753 S 4/2021 Guo et al.
 2004/0012955 A1 1/2004 Hsieh
 2004/0095759 A1 5/2004 Koch et al.
 2008/0304258 A1 12/2008 Mcmillan et al.
 2009/0147506 A1 6/2009 Robinson
 2010/0090613 A1 4/2010 Spartano
 2015/0267882 A1 9/2015 O'Brien
 2016/0381755 A1 12/2016 Qiu
 2020/0018449 A1 1/2020 Christensen
 2020/0400302 A1 12/2020 Zhu et al.

FOREIGN PATENT DOCUMENTS

CN 305246246 7/2019
 CN 305525587 * 12/2019
 EM 006496618-0001 5/2019
 GB 5000659 11/2015
 JP D1424946 9/2011

OTHER PUBLICATIONS

energizer.com: Performance Metal Inspection Light. Undated online product page. Retrieved on Sep. 24, 2020 from <<https://www.energizerconn.com/flashlights-lighting/energizer-performance-metal-inspection-light>> (Year: 2020).
 amazon.com: Energizer LED Pen Light. Date uploaded: Jan. 13, 2020 [site visited Sep. 24, 2020]. Retrieved from internet: <<https://www.amazon.com/dp/B083T6C7DK?tag=price17305-20&ascsubtag=wtbs5f6cda009bce145cf8b6287b>> (Year: 2020).
 ebay.com: Energizer LED Pen Light, Aircraft-Grade Aluminum Body. Undated online product page. Retrieved on Sep. 24, 2020 from <<https://www.ebay.com/i/124250146708?chn=ps&norover=1&nnkevt=1&nnkrid=711-117182-37290-0&nnkcid=2&itennid=124250146708&targetid=935694488066&device=...>> (Year: 2020).

(56)

References Cited

OTHER PUBLICATIONS

amazon.com, "Eveready LED Economy 1D Size Flashlight with Battery (2 Pack)", 8 pages, [retrieved from the Internet Feb. 1, 2021] <URL: <https://www.amazon.com/Eveready-Economy-Size-Flashlight-Battery/dp/B004PZPB2I>>.

doitbest.com, "Energizer 400 Lm. LED 2AA Flashlight", 3 pages [retrieved from the Internet Sep. 24, 2020] <URL: <https://www.doitbest.com/shop/electrical/batteries-and-flashlights/flashlights-and-lanterns/led-flashlight/energizer-400-Inn-led-2aa-flashlight?SKU=802040>>.

gadgetworld2u.com, "Energizer TAC 1000 6AA 1000L Tactical LED Flashlight PMHT61", 8 pages, [retrieved from the Internet Feb. 1, 2021] <URL: <https://www.gadgetworld2u.com/energizer-tac-1000-6aa-1000l-led-flashlight-pmht61>>.

manualzz.com, "Energizer Product Sheet, LED Grip-It (2AA) GPHH21", 2 pages, [retrieved from the Internet Feb. 1, 2021], <URL: <https://manualzz.com/doc/31285241/led-grip-it--2aa----energie-distribution>>.

suntos.com.my, "Eveready One Led Light GPHH25 Included 2 X D Batteries", 15 pages, [retrieved from the Internet Feb. 1, 2021], <URL: <http://Suntos.com.my/v1/product/eveready-one-led-light-gphh25-included-2-x-d-batteries/?v=7516fd43adaa>>.

"Dorcy 4 LED Carabineer Waterproof Flashlight," Nov. 17, 2016, kmart.com, site visited Jun. 24, 2021, URL: <https://www.kmart.com/dorcy-4-led-carabineer-waterproof-flashlight/p-03493785000P> (Year: 2016), 8 pages.

"Lumen Penlight," Jun. 8, 2018 (review), amsterdamprinting.com, site visited Jul. 14, 2021, URL: <https://www.amsterdamprinting.com/p/lumen-penlight?id=43984#pd-reviews> (Year: 2018), 6 pages.

"Stylus Pen," Aug. 23, 2017, amazon.com, site visited Jul. 14, 2021, URL: https://www.amazon.com/Multi-Function-Capacitive-Touchscreen-Flashlight-Multi-Color/dp/B07534MVYZ/ref=sr_1_44?dchild=1&keywords=ergonomic+pen+light&qid=1626350304&sr=8-44 (Year: 2017), 5 pages.

"White Light Tip Pen," Nov. 13, 2014, amazon.com, site visited Jul. 14, 2021, URL: <https://www.amazon.com/White-Light-Tip-Pen-LED/dp/B006IWU48W> (Year: 2014), 3 pages.

"Coast HP1 190 Lumen Pure Beam Focusing LED Flashlight," Feb. 12, 2014, amazon.com, retrieved on Jun. 3, 2021, URL: https://www.amazon.com/COAST-Lumen-Pure-Focusing-Flashlight/dp/B00IEMUOWU/ref=sr_1_136?crd=2IX2UPMAO4DEF&dchild=1&keywords=surefire+flashlights&qid=1622772444&sprefix=surefire%2Caps%2C173&sr=8-136 (Year: 2014).

"Energizer LED Tactical Metal Flashlight," Apr. 4, 2019, amazon.com, retrieved on Jun. 4, 2021, URL: <https://www.amazon.com/Energizer-Tactical-Flashlight-Aircraft-Grade-Water-Resistant/dp/B07QD4X194> (Year: 2019).

"Streamlight 88065 Pro Tac," Feb. 11, 2017, amazon.com, retrieved on Jun. 3, 2021, URL: <https://www.amazon.com/Streamlight-88065-Professional-Flashlight-Rechargeable/dp/B06VTLLC13/> (Year: 2017).

* cited by examiner

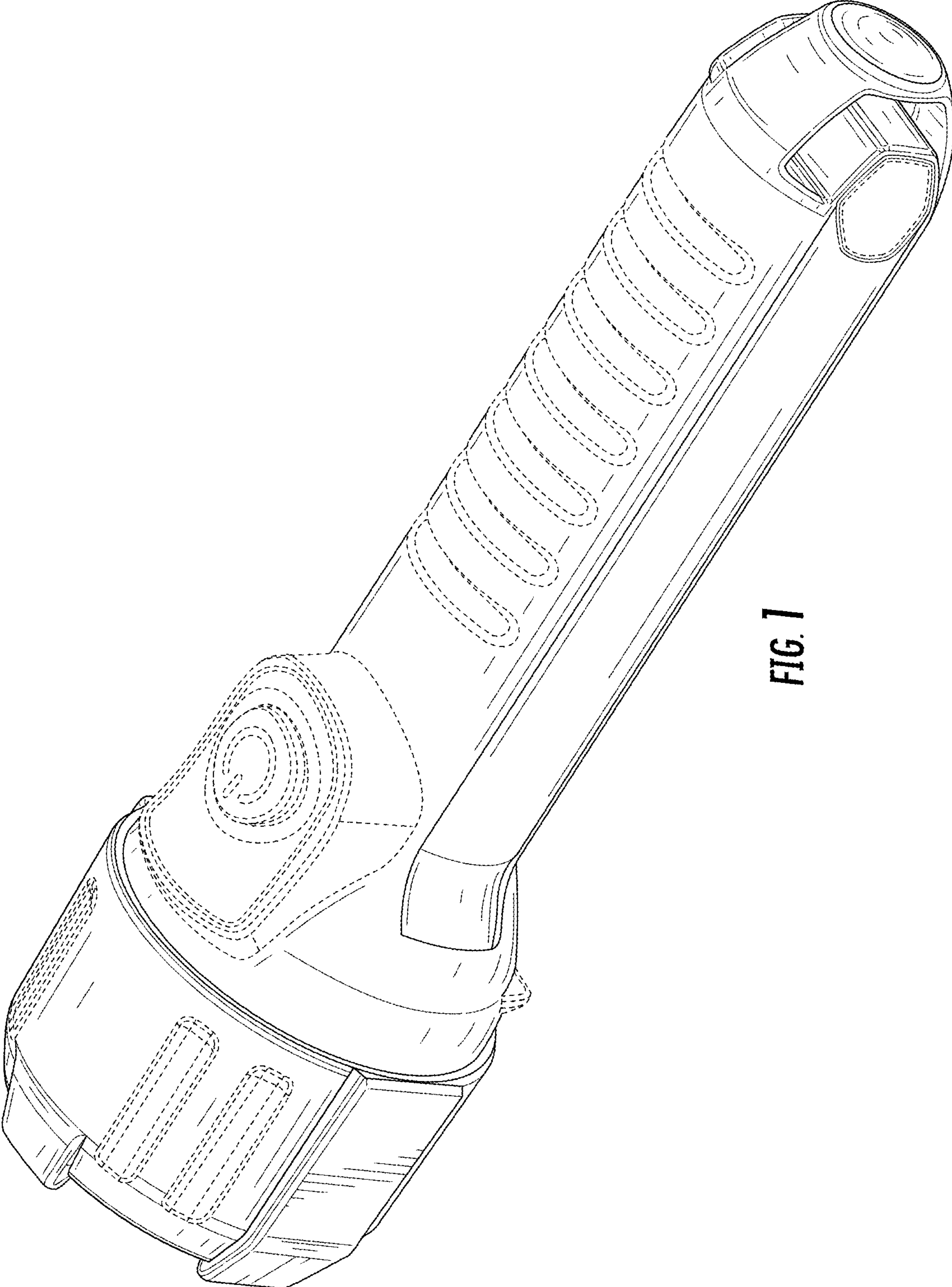


FIG. 1

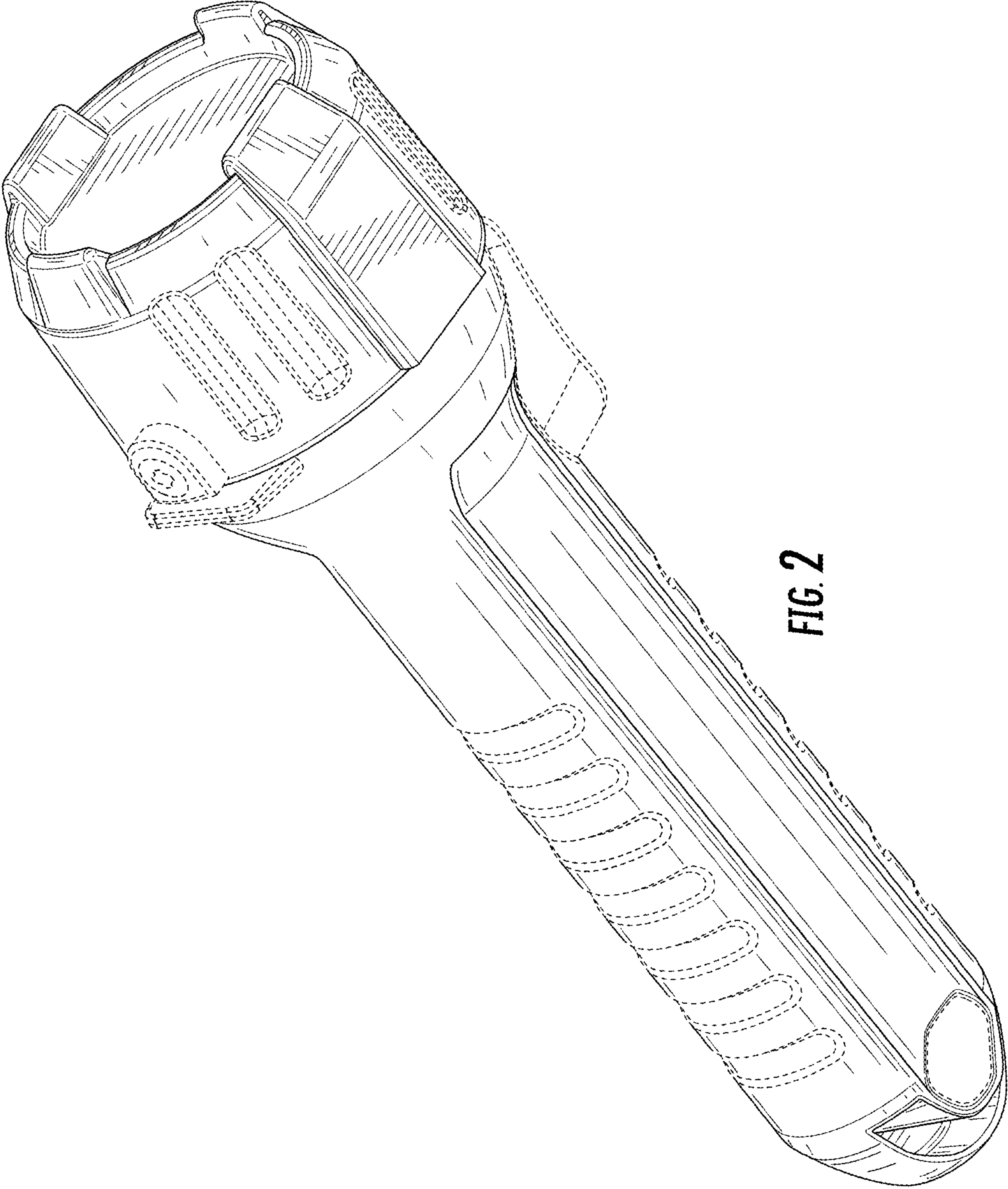


FIG. 2

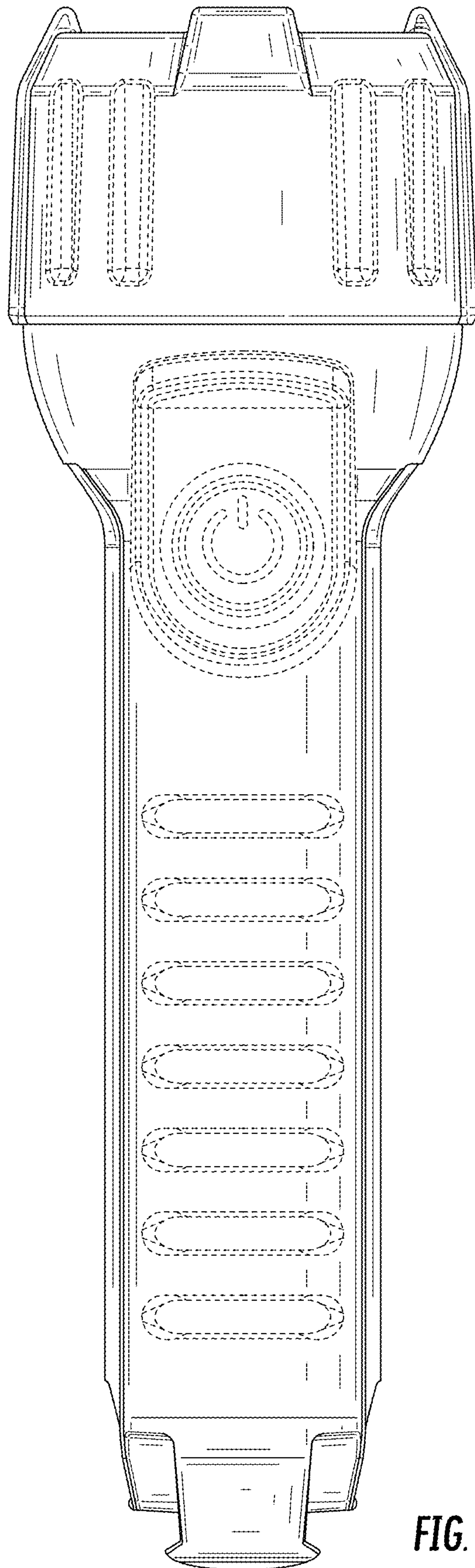


FIG. 3

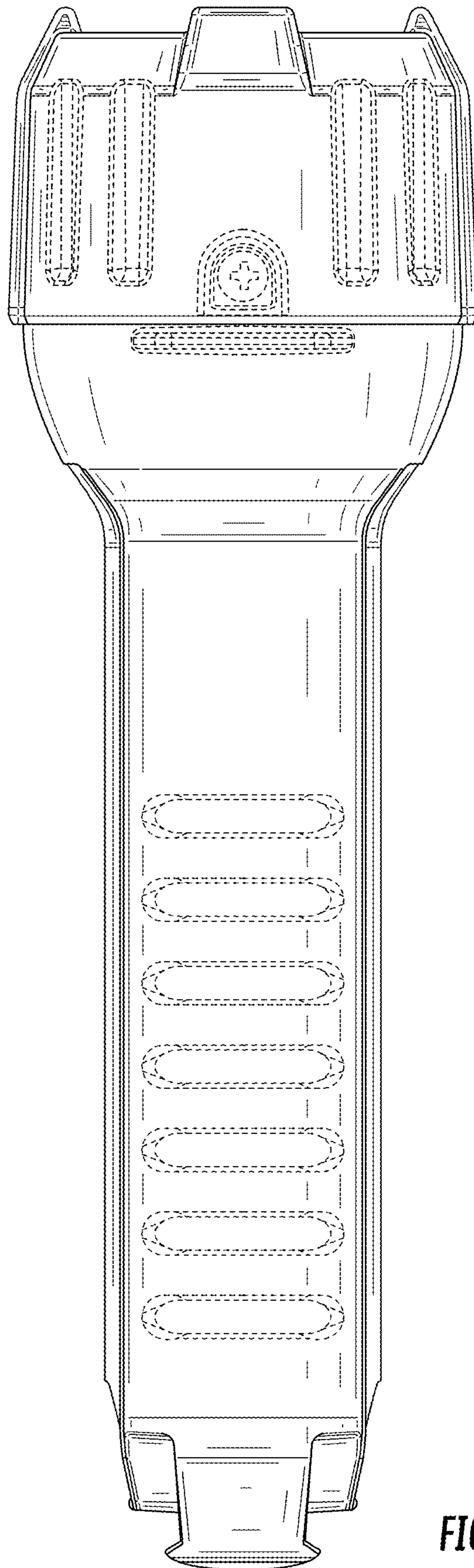


FIG. 4

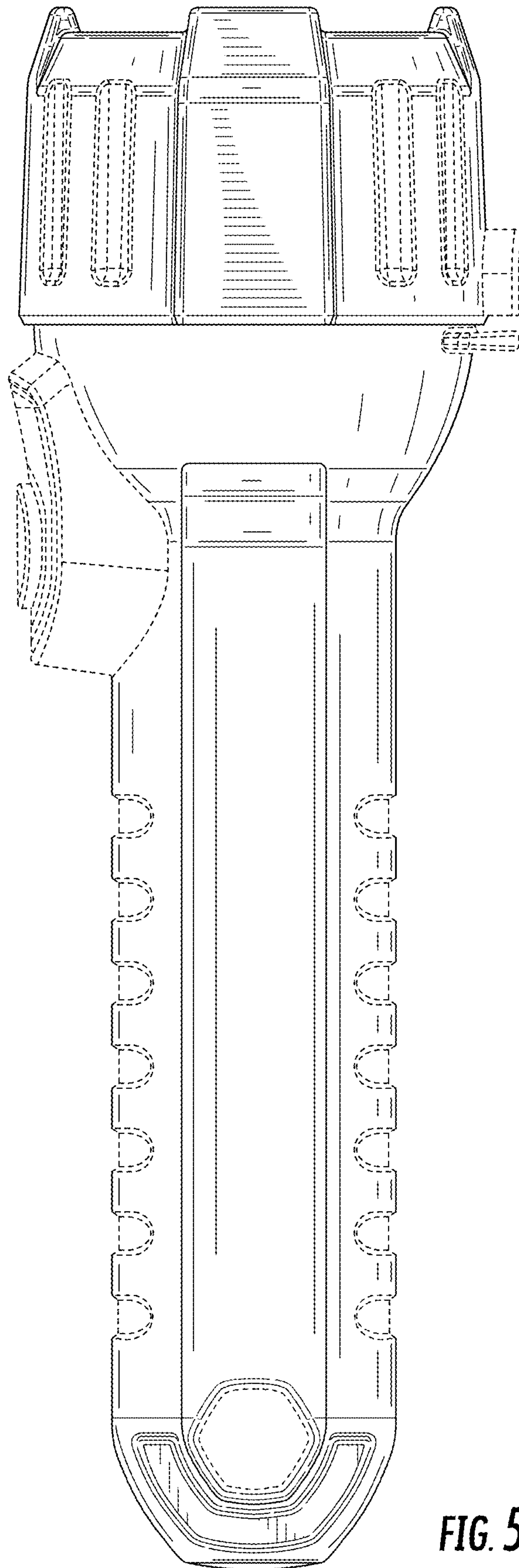


FIG. 5

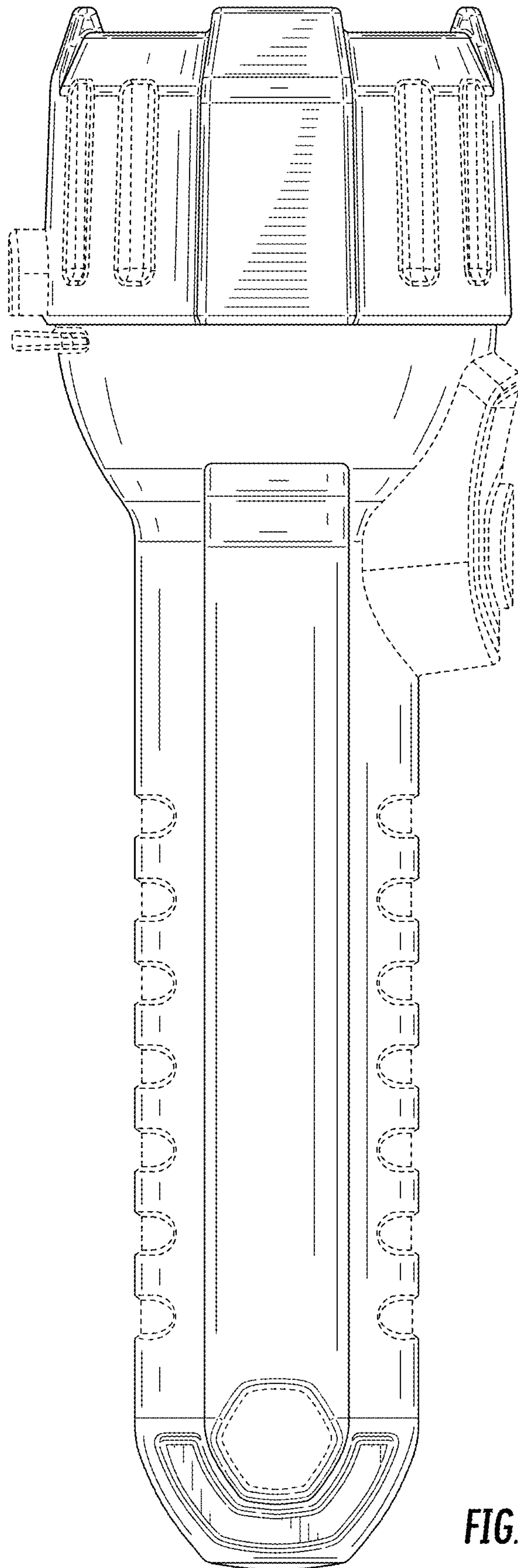


FIG. 6

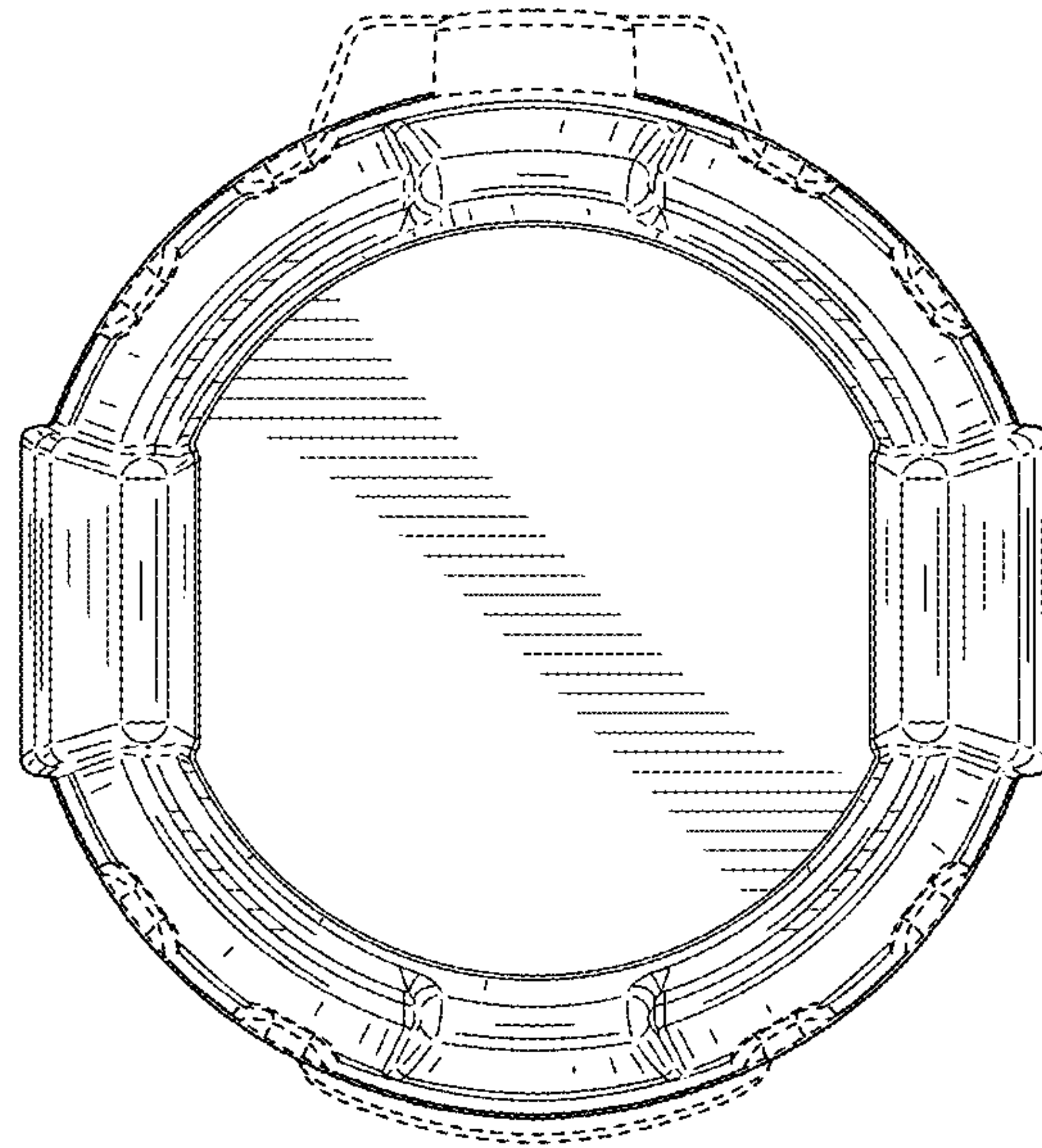


FIG. 7

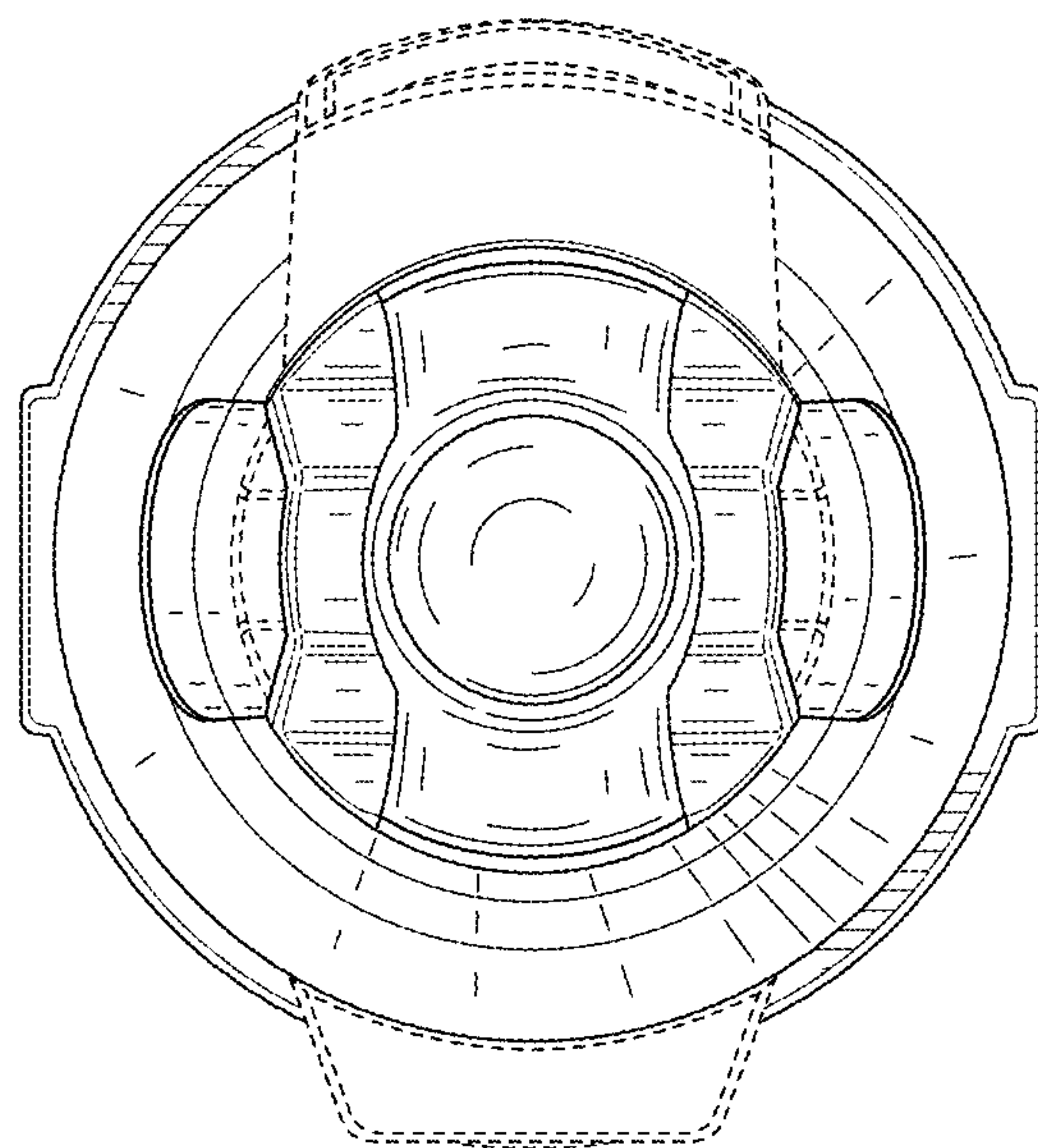


FIG. 8