



US00D942060S

(12) **United States Design Patent** (10) **Patent No.:** **US D942,060 S**
Luo (45) **Date of Patent:** **** Jan. 25, 2022**

(54) **PEN LIGHT**
(71) Applicant: **Xiaojun Luo**, Guangdong (CN)
(72) Inventor: **Xiaojun Luo**, Guangdong (CN)
(**) Term: **15 Years**

D770,071 S * 10/2016 Windom D26/49
D799,084 S * 10/2017 Wu D26/38
D799,087 S * 10/2017 Koshiba D26/49
D810,978 S * 2/2018 Windom D26/38
(Continued)

(21) Appl. No.: **29/698,897**
(22) Filed: **Jul. 22, 2019**

FOREIGN PATENT DOCUMENTS

CN 302571092 * 9/2013
CN 305121209 * 4/2019
(Continued)

(51) **LOC (13) Cl.** **26-02**
(52) **U.S. Cl.**
USPC **D26/38; D26/37**
(58) **Field of Classification Search**
USPC D26/37-44, 46-52; D10/109.1, 111-115
CPC F21V 21/145; F21V 23/0414; F21V 5/006;
F21L 4/005; F21L 4/045; F41B 15/022;
Y10S 362/80

OTHER PUBLICATIONS

“Energizer PLED23AEH Pen Flashlight,” Apr. 6, 2012 (review),
newegg.com, site visited Jul. 14, 2021, URL: <https://www.newegg.com/energizer-silver-pled23aeh-flashlights/p/N82E16882691056> (Year:
2012).*
(Continued)

See application file for complete search history.

Primary Examiner — Eric L Goodman
Assistant Examiner — Sarah L Smith
(74) *Attorney, Agent, or Firm* — Justin Lampel

(56) **References Cited**

(57) **CLAIM**

U.S. PATENT DOCUMENTS

The ornamental design for a pen light, as shown and described.

2,222,879 A * 11/1940 Porter F21L 2/00
362/138
2,443,539 A * 6/1948 Kopp F21V 23/0414
200/60
D354,328 S * 1/1995 McCarty D22/117
D430,321 S * 8/2000 Sharrah D26/37
D452,024 S * 12/2001 Sharrah F21L 4/005
D26/49
D504,531 S * 4/2005 Bhavnani D26/38
6,886,960 B2 * 5/2005 Sharrah F21L 4/005
362/205
D518,906 S * 4/2006 Stoddard D26/37
D548,863 S * 8/2007 Shiu D26/37
D578,236 S * 10/2008 Dalton D26/49
D612,086 S * 3/2010 Brauer D26/49
D622,428 S * 8/2010 Crawford D26/37
D676,170 S * 2/2013 Feng D26/38
D736,975 S * 8/2015 Tang D26/38
D743,075 S * 11/2015 Keaton D26/49

DESCRIPTION

FIG. 1 is a perspective view of a pen light showing the claimed design;
FIG. 2 is a top plan view thereof;
FIG. 3 is a rear elevational view thereof;
FIG. 4 is a bottom plan view thereof;
FIG. 5 is a right side view thereof;
FIG. 6 is a front elevational view thereof; and,
FIG. 7 is a left side view thereof.
The broken lines shown are provided for the purpose of illustrating portions of the pen light and form no part of the claimed design.

1 Claim, 7 Drawing Sheets



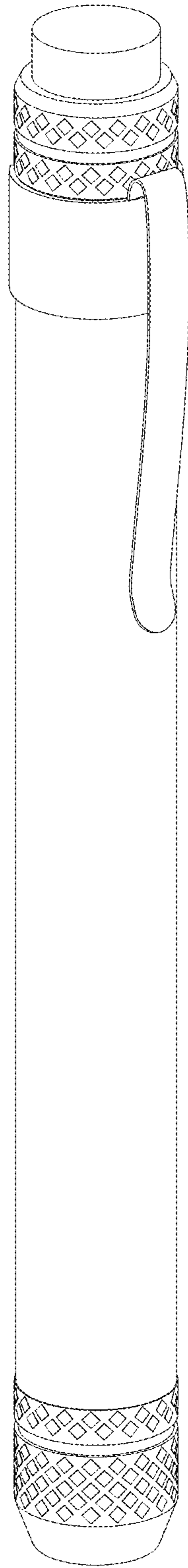


FIG. 1

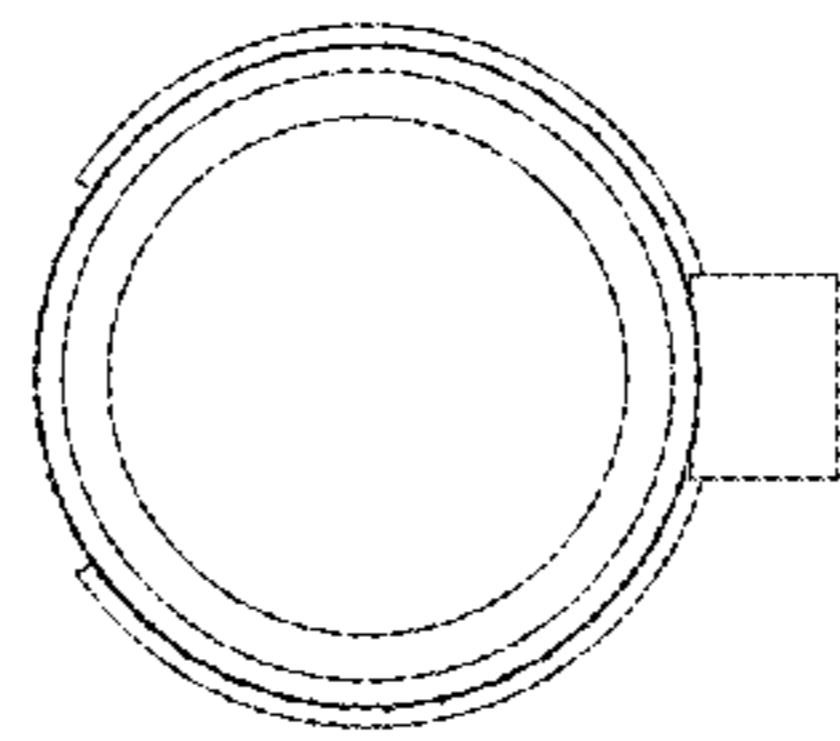


FIG. 2

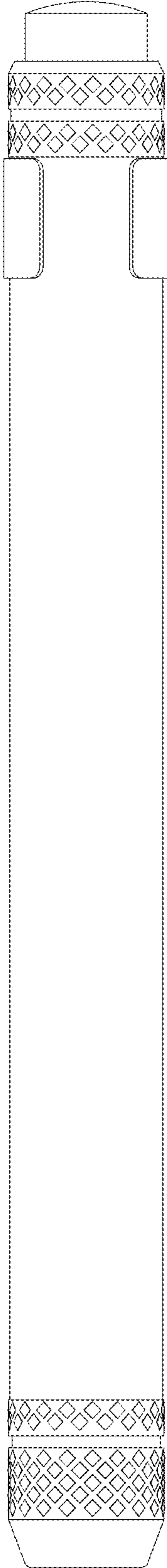


FIG. 3

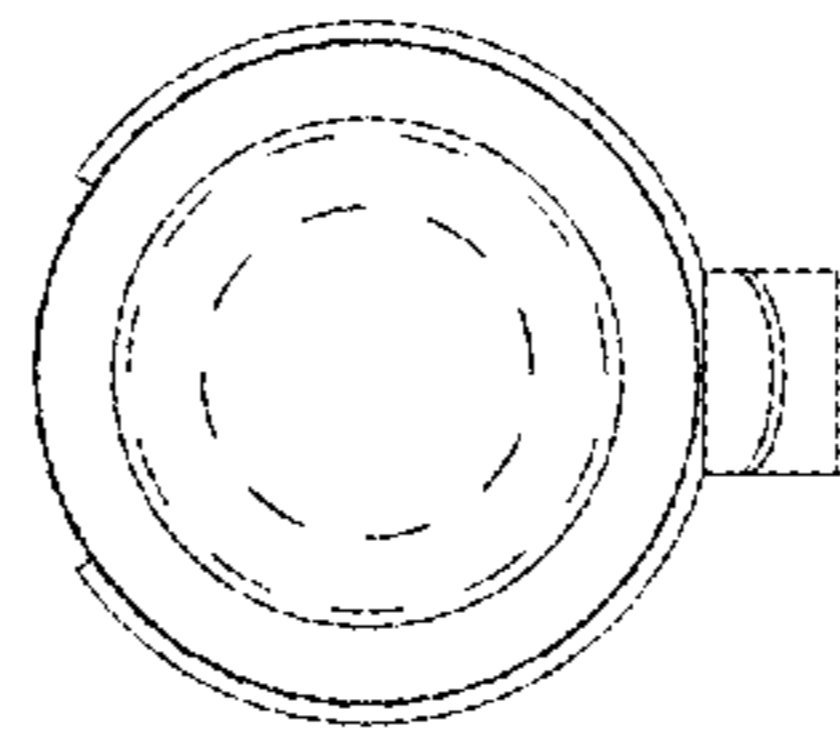


FIG. 4

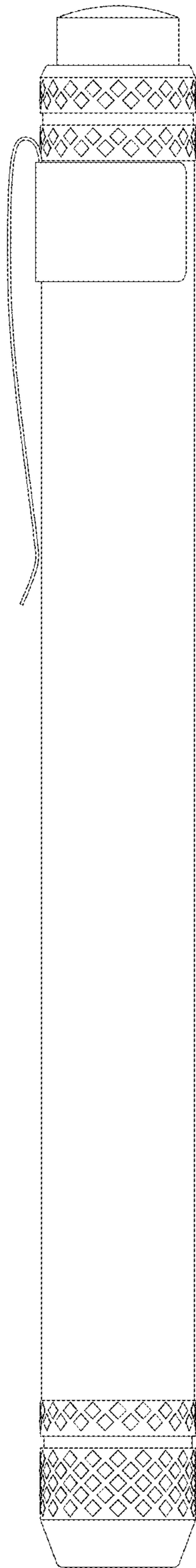


FIG. 5

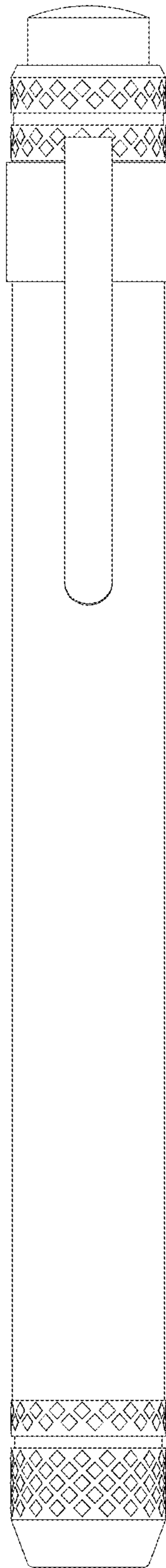


FIG. 6

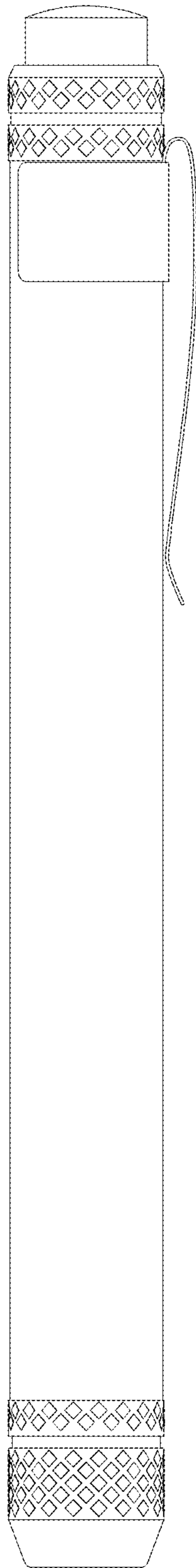


FIG. 7