



US00D942057S

(12) **United States Design Patent**
He

(10) **Patent No.:** **US D942,057 S**

(45) **Date of Patent:** **** Jan. 25, 2022**

(54) **VEHICLE HEADLIGHT**

(71) Applicant: **Arex Industries, Inc.**, Irwindale, CA
(US)

(72) Inventor: **Mizeng He**, TaiZhou (CN)

(**) Term: **15 Years**

(21) Appl. No.: **29/769,353**

(22) Filed: **Feb. 4, 2021**

(51) **LOC (13) Cl.** **26-06**

(52) **U.S. Cl.**
USPC **D26/28**

(58) **Field of Classification Search**
USPC D26/28, 29, 30, 31, 32, 33, 34, 35, 36,
D26/44

CPC F21S 48/00; F21S 48/10; F21S 48/115;
F21S 48/225; F21S 48/1233; F21S
48/1266; F21S 48/1388; F21S 48/2268;
F21V 21/04; F21W 2103/35; F21W 3/40;
F21W 2102/17; F21W 2102/30; F21W
2103/00; F21W 2103/55; F21W 2104/00;
F21W 2107/17; F21W 2107/13

See application file for complete search history.

(56) **References Cited**

U.S. PATENT DOCUMENTS

D765,282 S * 8/2016 Lai D26/28
D797,332 S * 9/2017 Lin D26/28

D809,682 S * 2/2018 Lin D26/28
D838,019 S * 1/2019 Lin D26/28
D854,202 S * 7/2019 Lin D26/28
D870,932 S * 12/2019 Lin D26/28
D884,227 S * 5/2020 He D26/28
D920,551 S * 5/2021 Lin D26/28
D921,939 S * 6/2021 He D26/28
D921,941 S * 6/2021 Lin D26/28
D921,942 S * 6/2021 Lin D26/28
D921,944 S * 6/2021 Lin D26/28
D929,624 S * 8/2021 Yang D26/28

* cited by examiner

Primary Examiner — Angela J Lee

(74) *Attorney, Agent, or Firm* — Theodore S. Lee, Esq.

(57) **CLAIM**

The ornamental design for a vehicle headlight, as shown and described.

DESCRIPTION

FIG. 1 is a perspective view of a vehicle headlight according to the novel design;

FIG. 2 is left side view thereof;

FIG. 3 is a front view thereof;

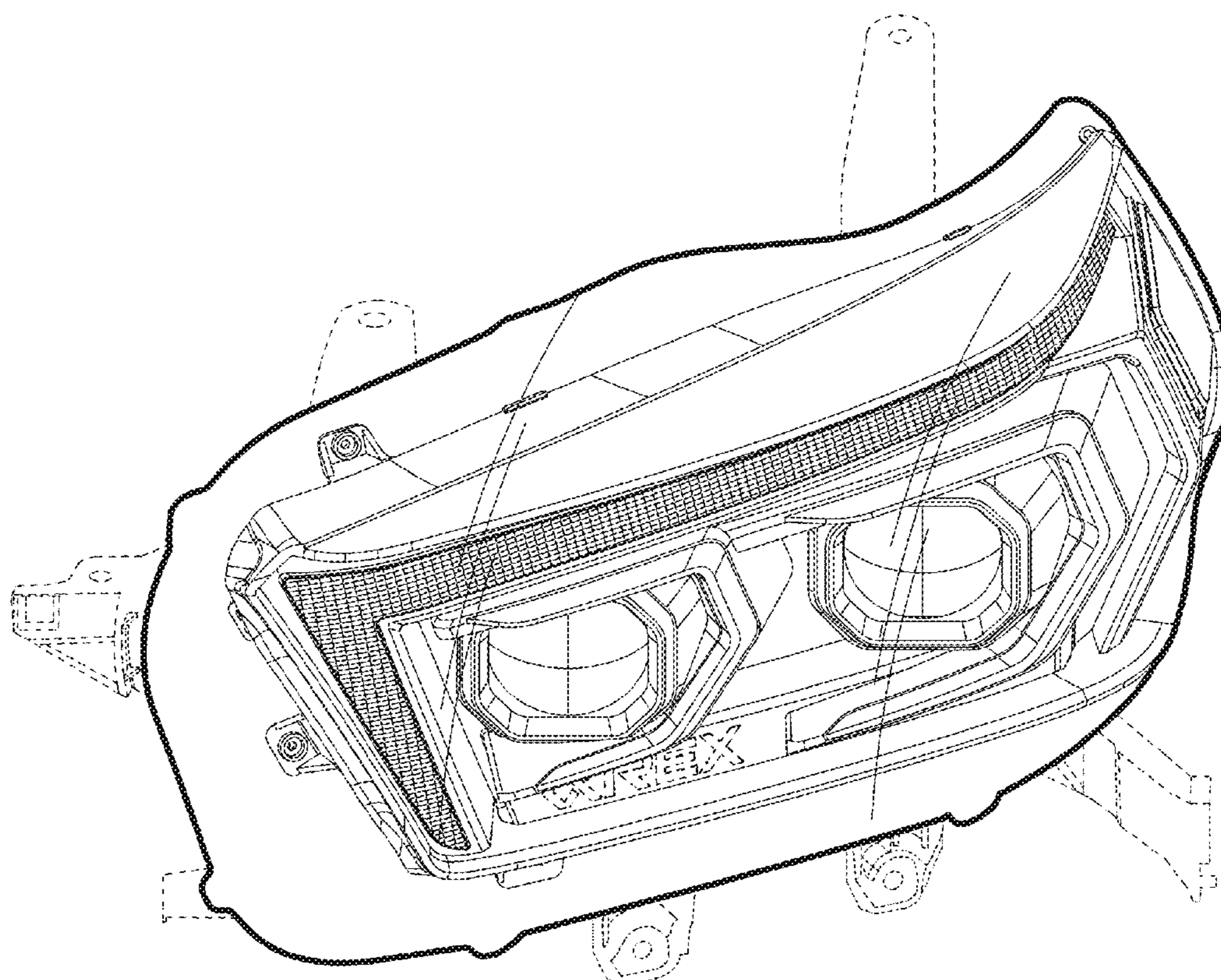
FIG. 4 is a right side view thereof;

FIG. 5 is an alternative perspective view thereof; and,

FIG. 6 is a top view thereof.

The drawings and descriptions represent the right side embodiment. The claim is also for a mirror image of a left side embodiment that is not shown.

1 Claim, 6 Drawing Sheets



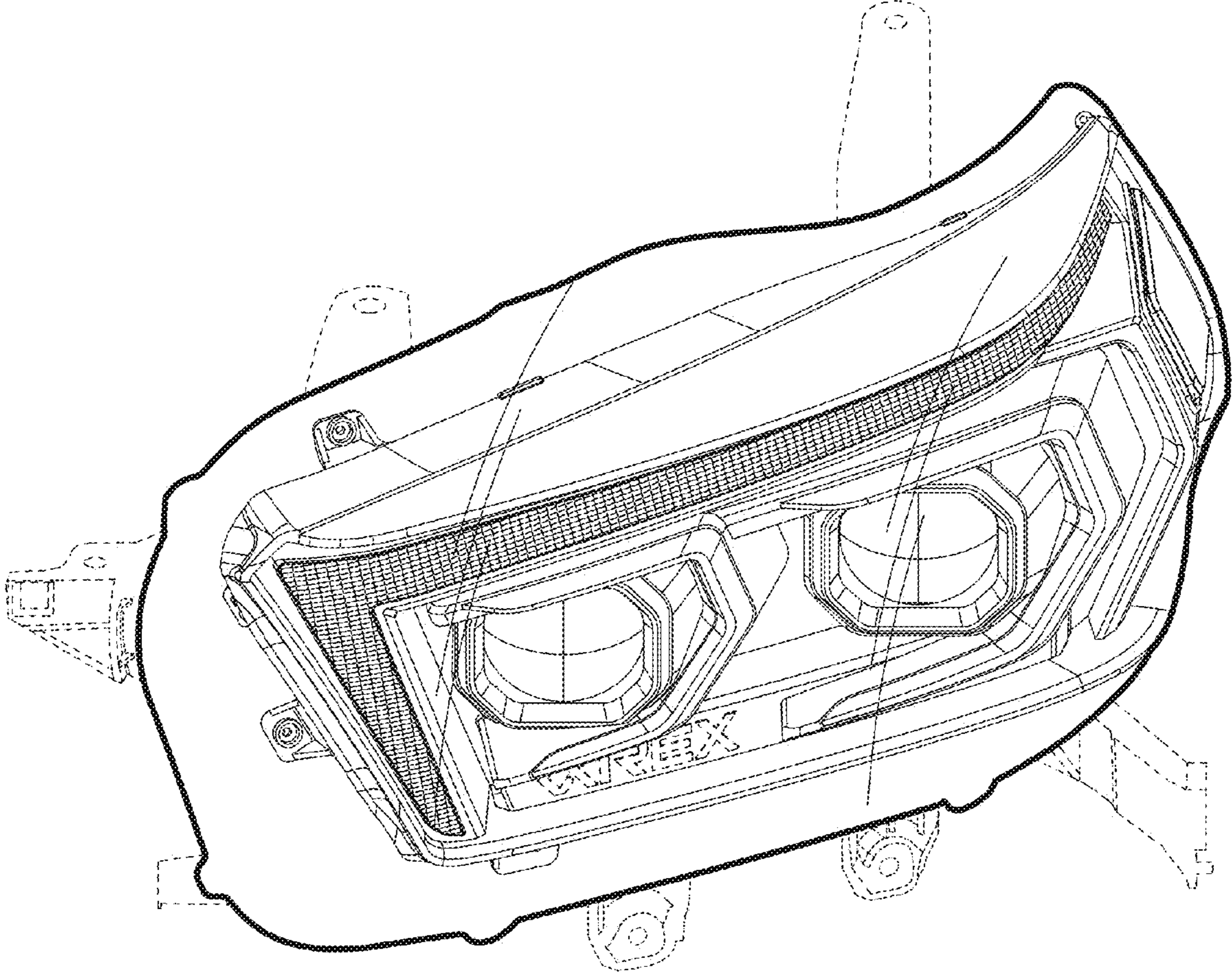


FIG. 1

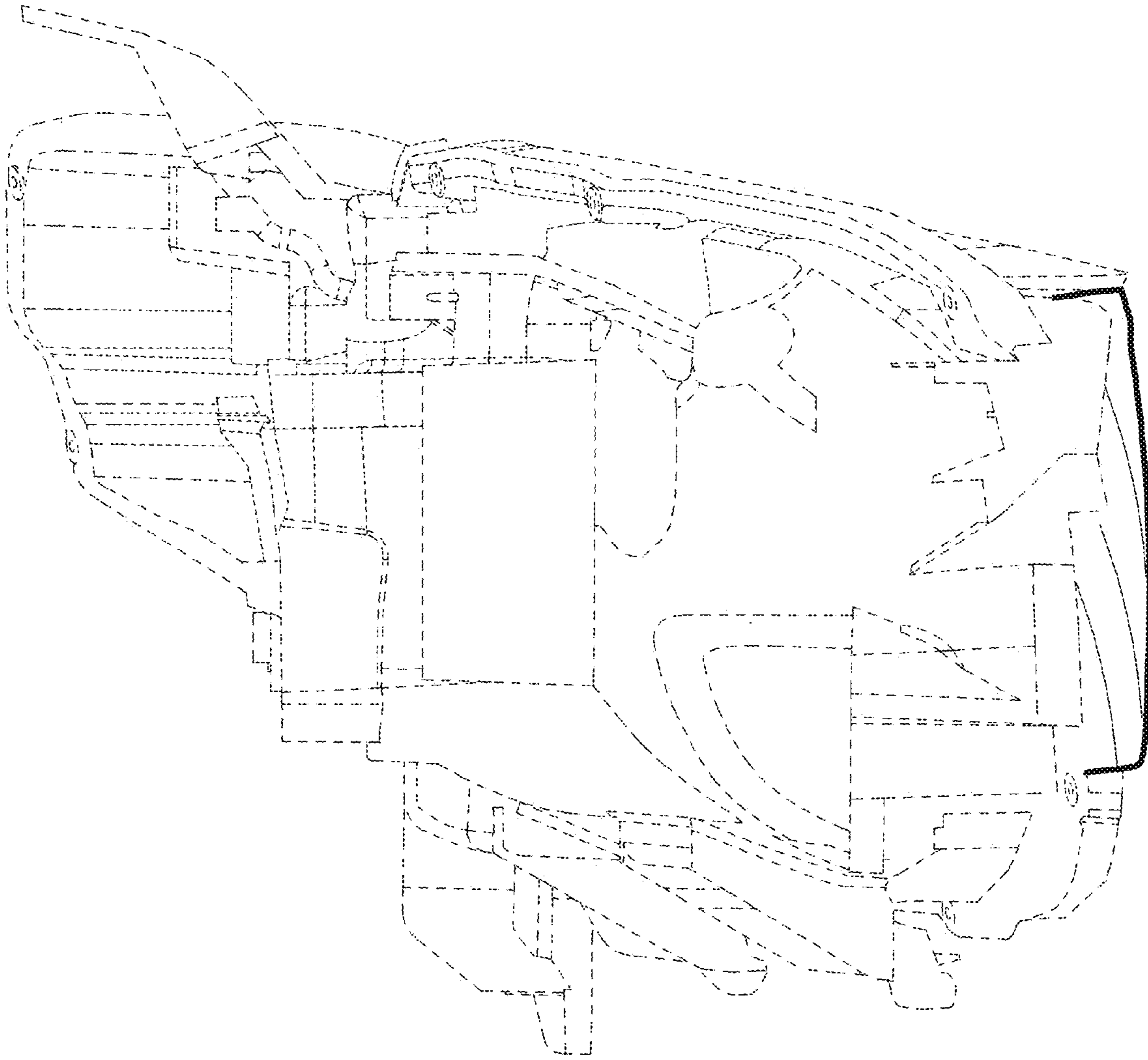


FIG. 2

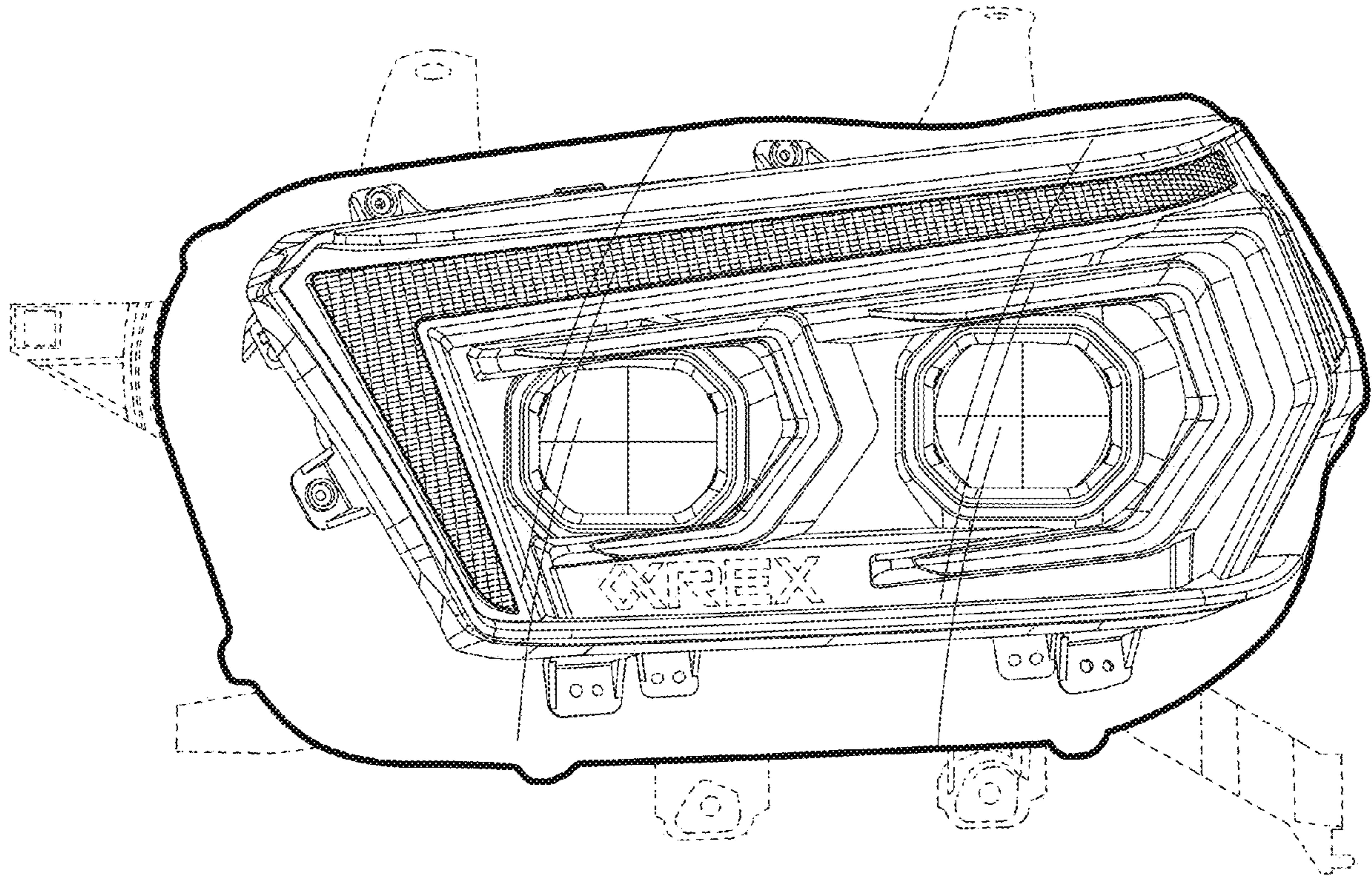


FIG. 3

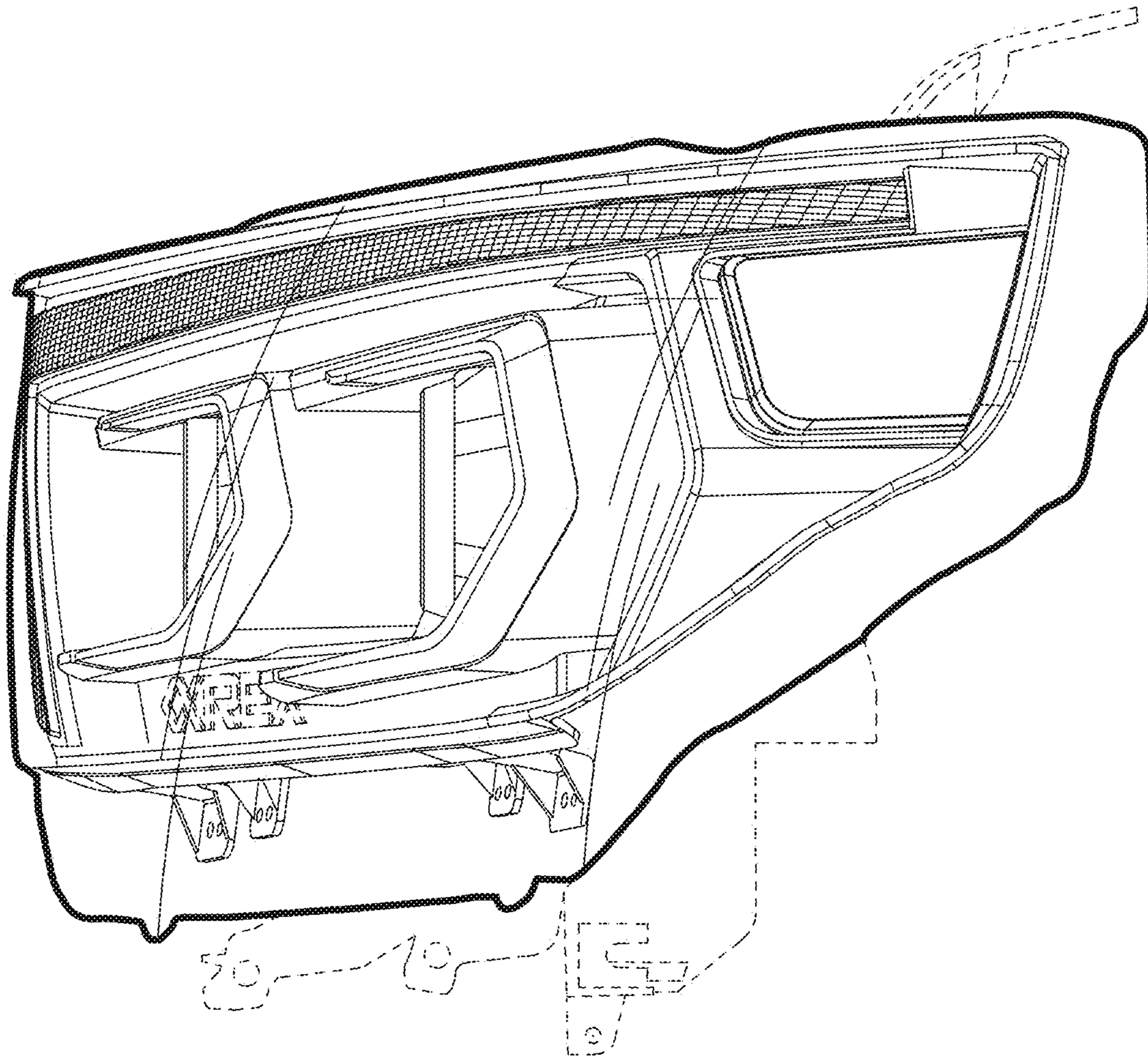


FIG. 4

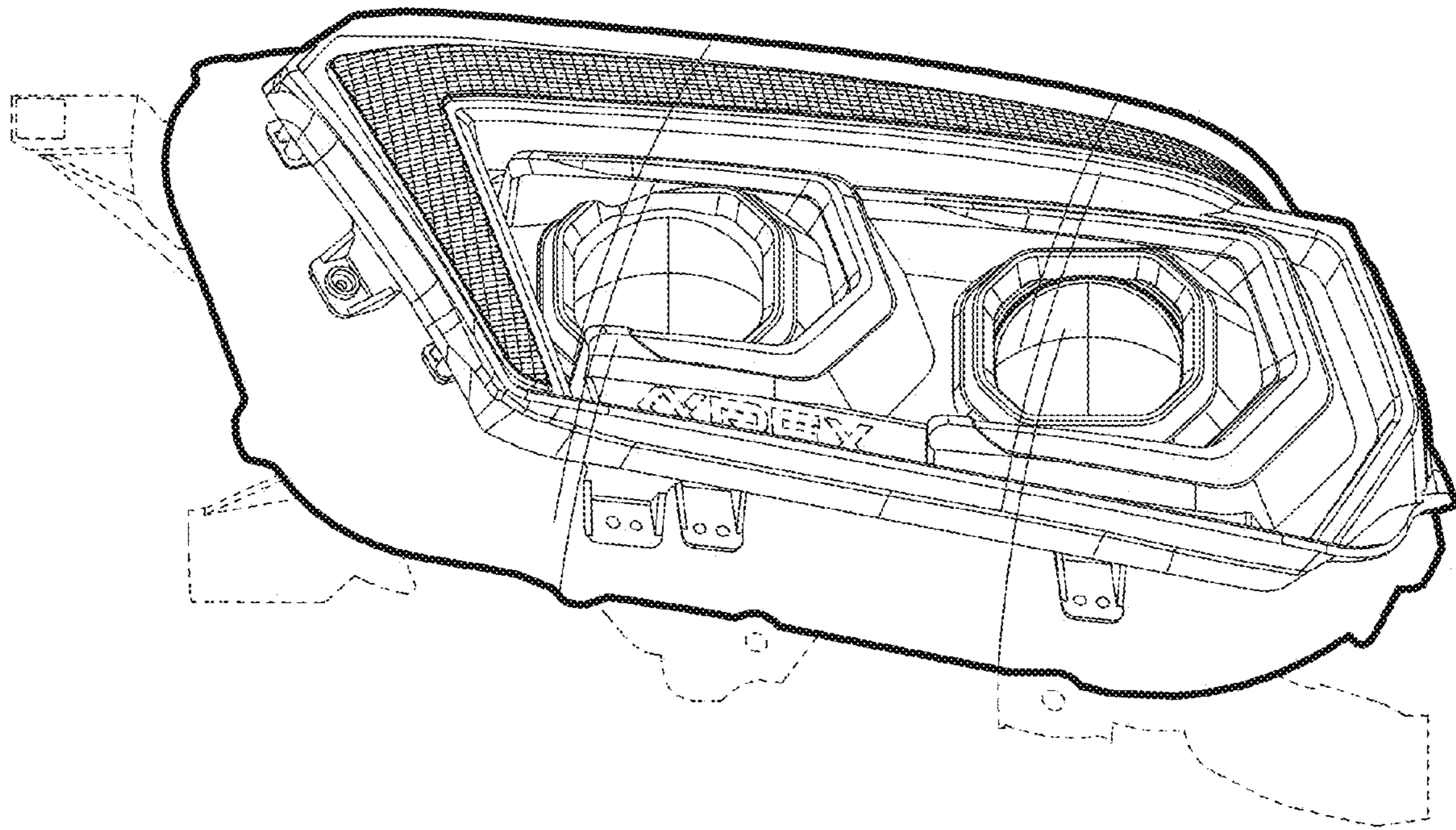


FIG. 5

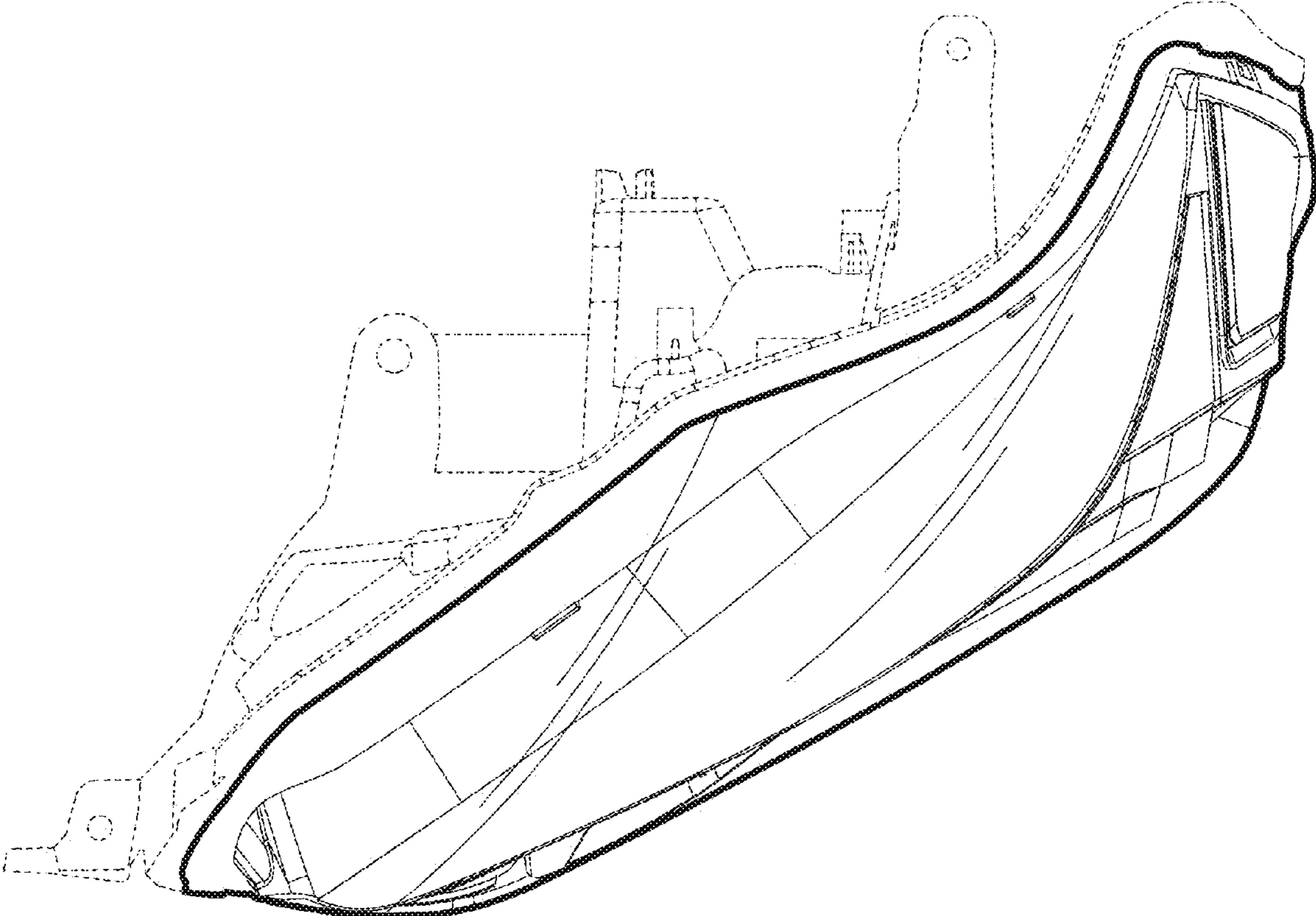


FIG. 6