

US00D942054S

(12) **United States Design Patent** (10) **Patent No.:** **US D942,054 S**
Lan et al. (45) **Date of Patent:** **** Jan. 25, 2022**

(54) **SELF-BALLAST UV LAMP**

(56) **References Cited**

(71) Applicant: **Shenzhen Guanke Technologies Co., Ltd**, Shenzhen (CN)

U.S. PATENT DOCUMENTS

(72) Inventors: **Qing Lan**, Shenzhen (CN); **Ligen Liu**, Shenzhen (CN); **Shoubao Chen**, Shenzhen (CN); **Tianlong Dai**, Shenzhen (CN); **Buyuan Peng**, Shenzhen (CN)

D553,266 S *	10/2007	Maxik	D26/2
D566,300 S *	4/2008	Lo	D26/2
D584,838 S *	1/2009	To	D26/2
D646,802 S *	10/2011	Guohui	D26/2
D695,426 S *	12/2013	Tu	D26/2

* cited by examiner

(73) Assignee: **Shenzhen Guanke Technologies Co., Ltd**, Shenzhen (CN)

Primary Examiner — Marcus A Jackson

(74) *Attorney, Agent, or Firm* — Maier & Maier, PLLC

(**) Term: **15 Years**

(57) **CLAIM**

(21) Appl. No.: **29/755,706**

The ornamental design for a self-ballast UV lamp, as shown and described.

(22) Filed: **Oct. 22, 2020**

(30) **Foreign Application Priority Data**

DESCRIPTION

Apr. 24, 2020 (CN) 202030175061.8

(51) **LOC (13) Cl.** **26-04**

(52) **U.S. Cl.**
USPC **D26/2**

(58) **Field of Classification Search**
USPC D26/1-4
CPC H01R 5/00; H01R 13/46; H01R 13/514;
H01R 31/02; H01R 31/048; H01J 5/00;
H01J 5/16; H01J 1/02; H01J 15/00; H01J
5/48; H01J 5/50; H01J 19/54; F21V 5/00;
F21K 9/00; F21K 13/00

FIG. 1 is a front view of a self-ballast UV lamp, showing our design;

FIG. 2 is a rear view thereof;

FIG. 3 is a left side view thereof;

FIG. 4 is a right side view thereof;

FIG. 5 is a top view thereof;

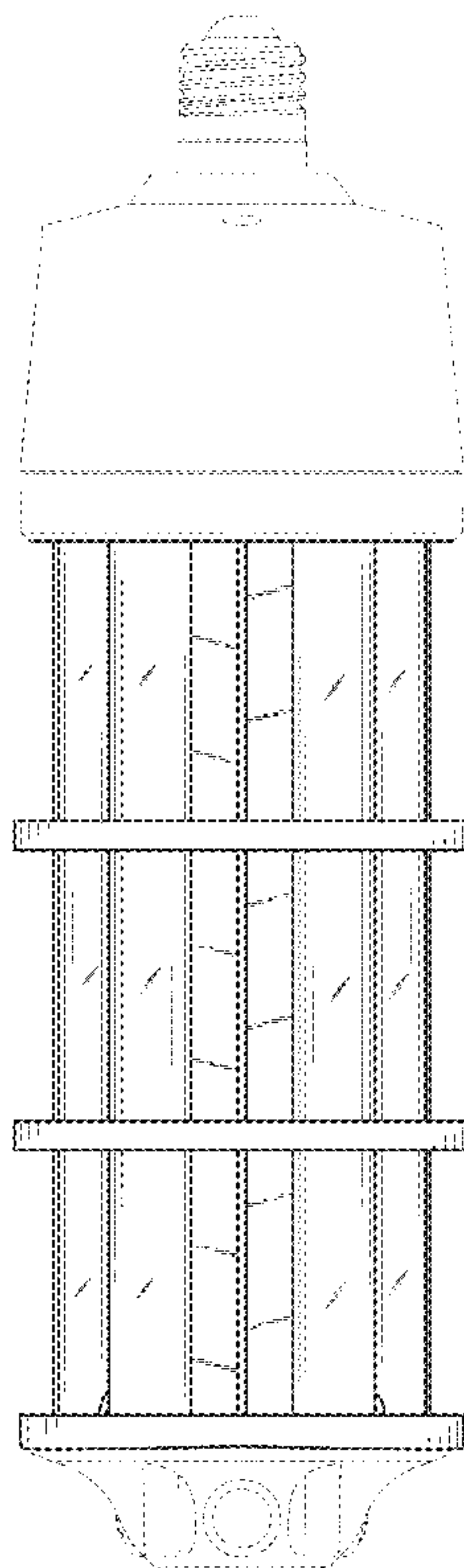
FIG. 6 is a bottom view thereof; and,

FIG. 7 is a front perspective view thereof.

The broken line showing in the Figures illustrates portions of the self-ballast UV lamp and forms no part of the claimed design.

See application file for complete search history.

1 Claim, 7 Drawing Sheets



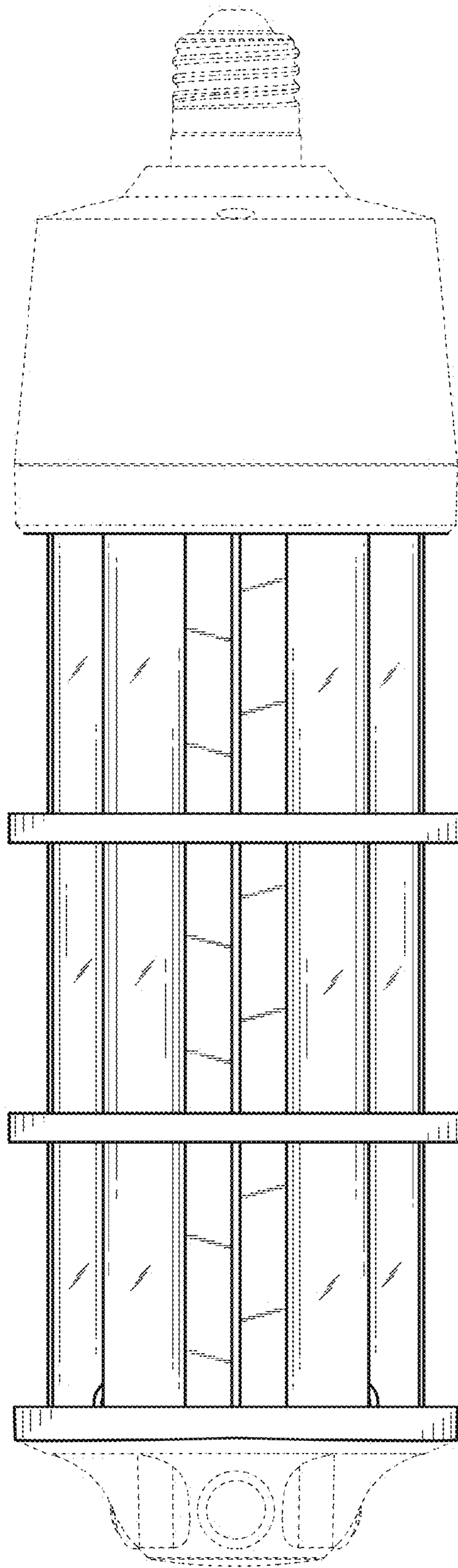


FIG. 1

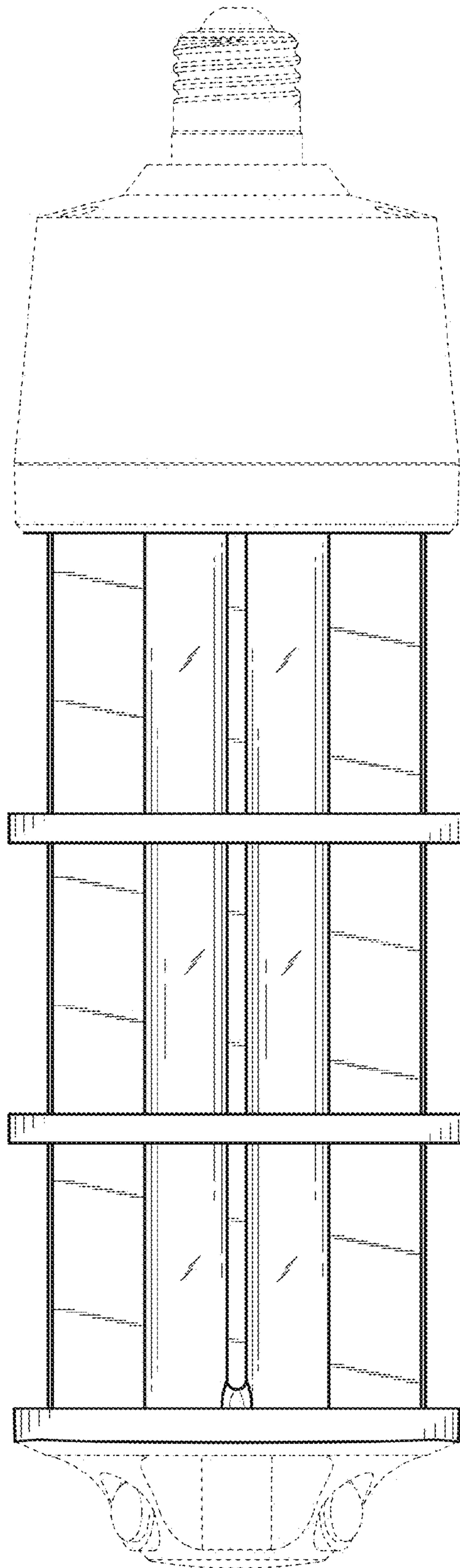


FIG.2

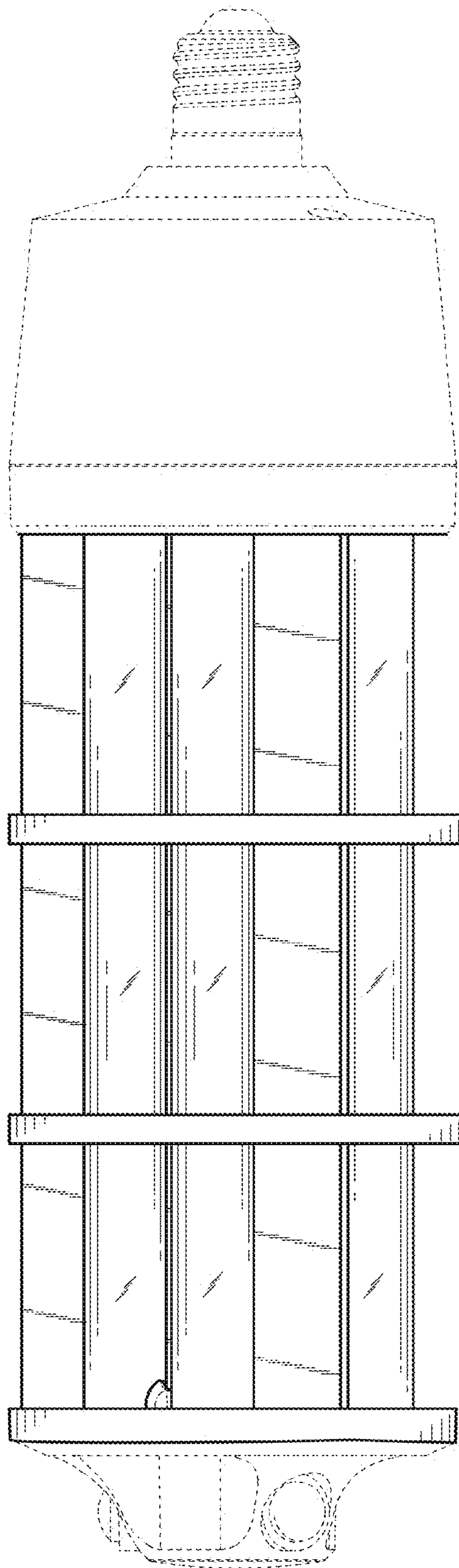


FIG.3

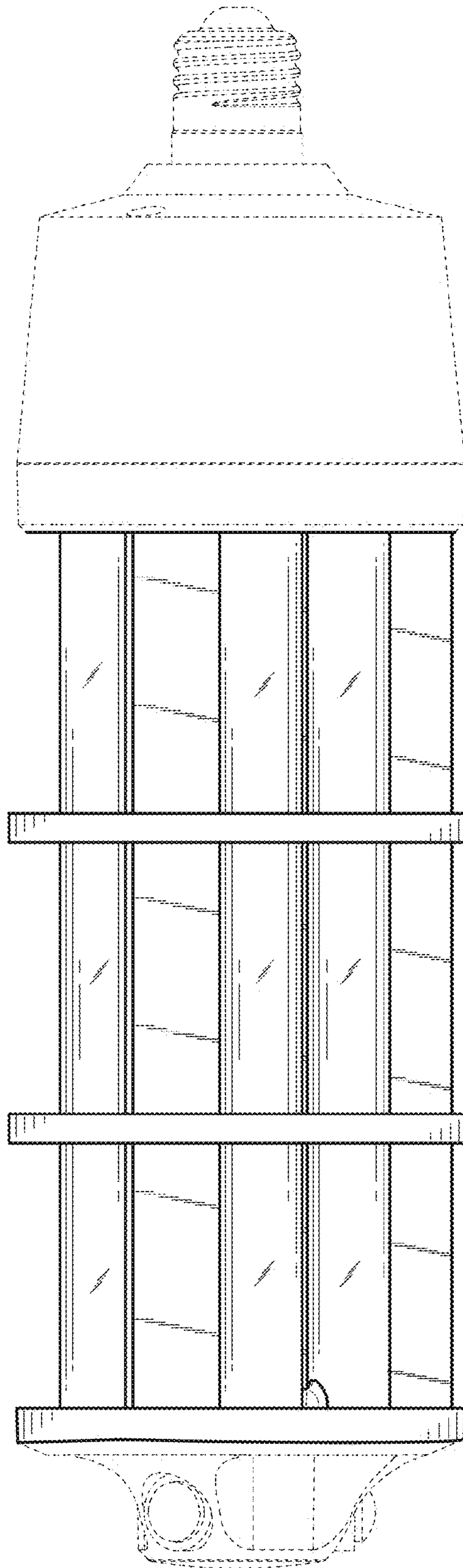


FIG.4

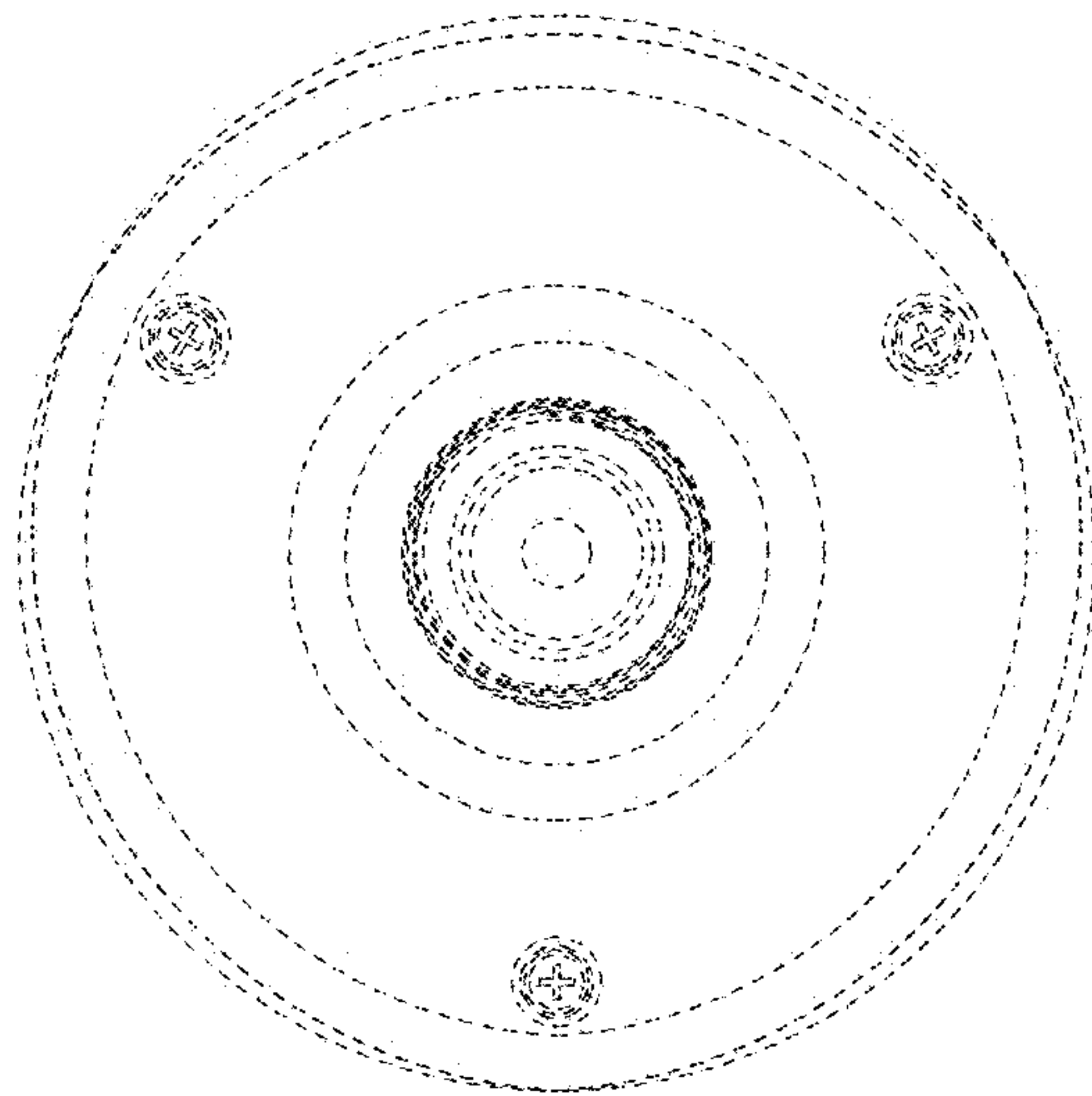


FIG. 5

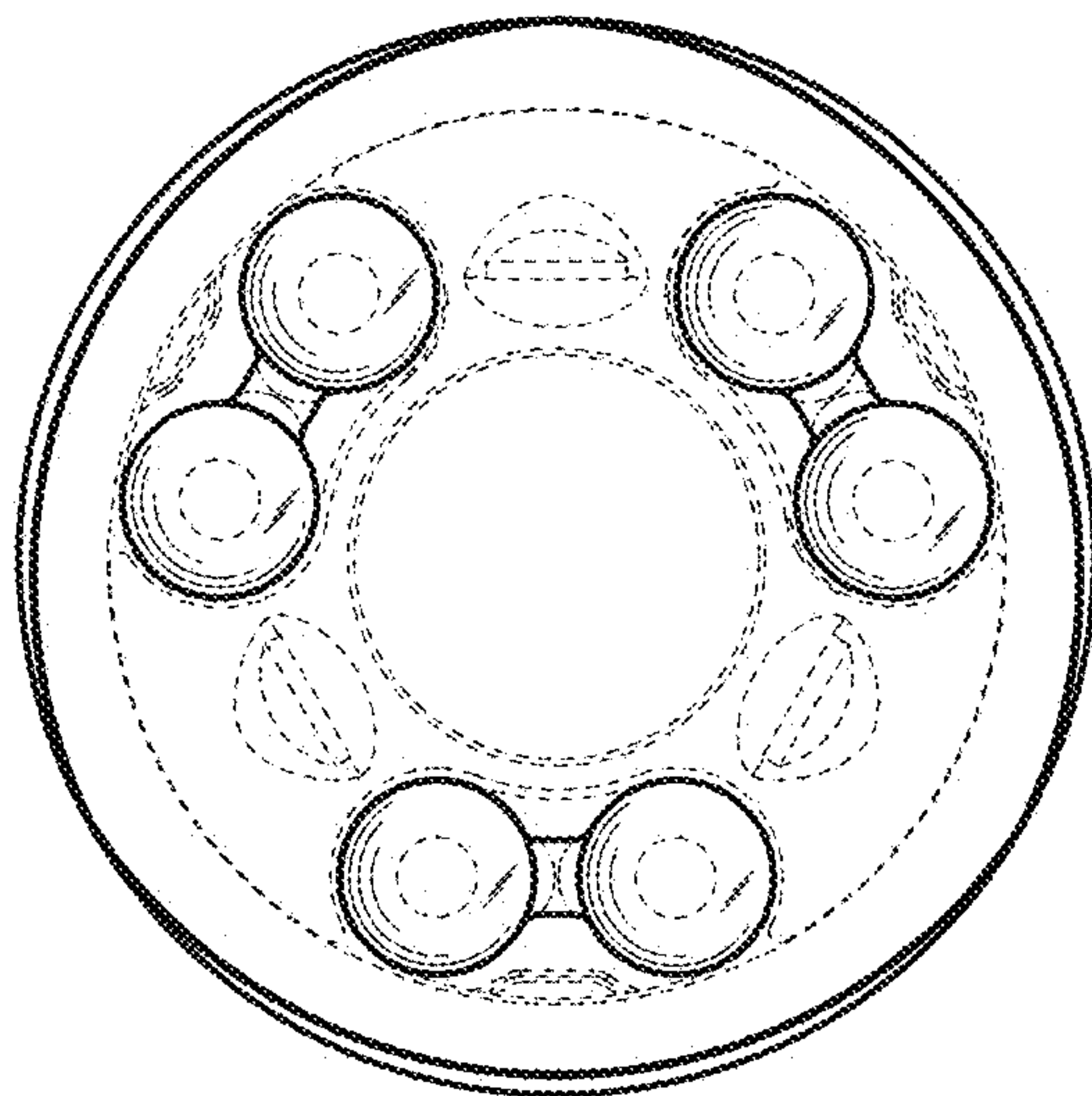


FIG. 6

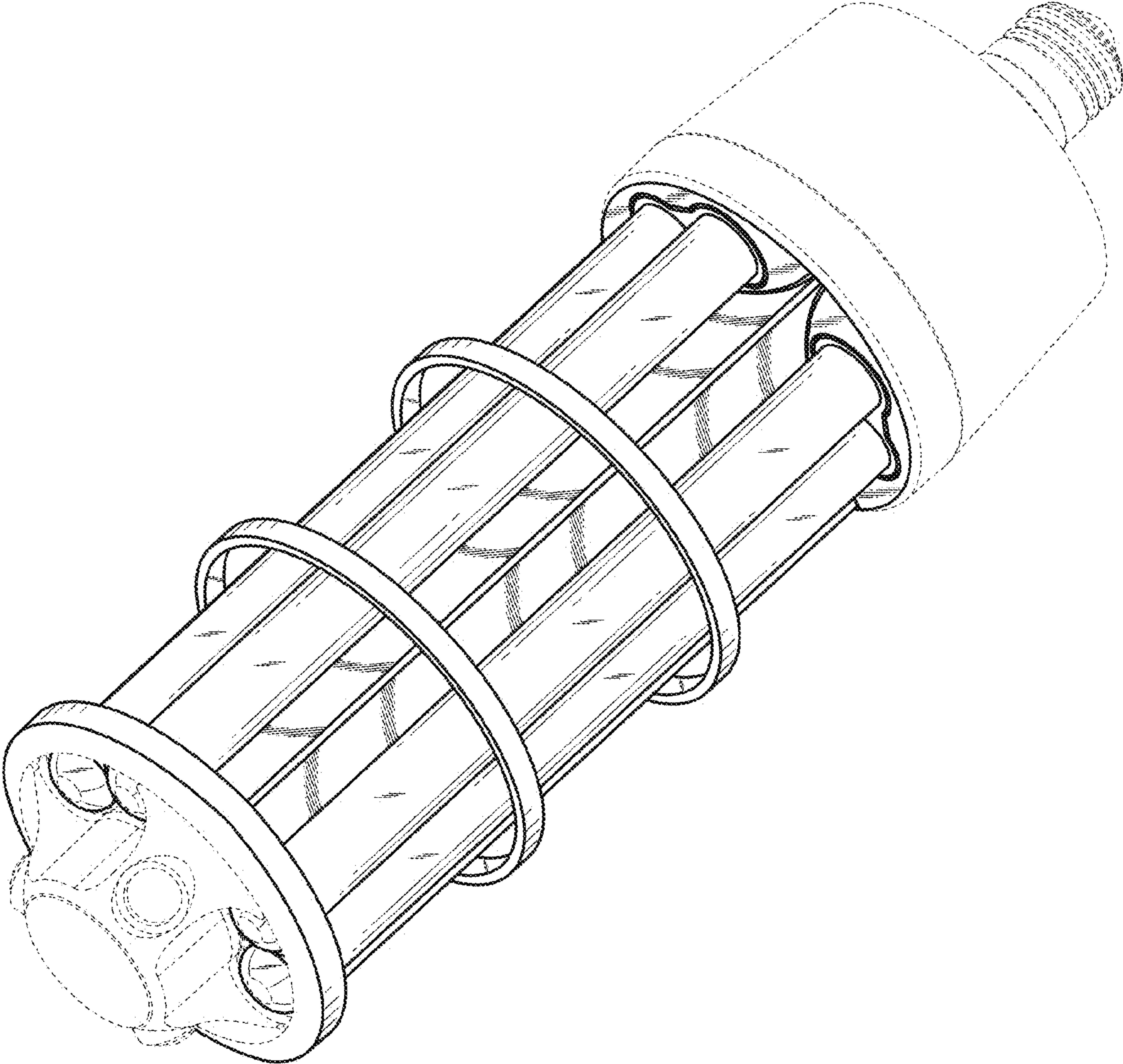


FIG. 7