



US00D942053S

(12) **United States Design Patent**
Tian

(10) **Patent No.:** **US D942,053 S**
(45) **Date of Patent:** **** Jan. 25, 2022**

(54) **DEFORMABLE LIGHT**

(71) Applicant: **ZHONGSHAN SHINYLAND LIGHTING TECHNOLOGY CO., LTD.**, Zhongshan (CN)

(72) Inventor: **Zhengcai Tian**, Wuhan (CN)

(73) Assignee: **ZHONGSHAN SHINYLAND LIGHTING TECHNOLOGY CO., LTD.**, Zhongshan (CN)

(**) Term: **15 Years**

(21) Appl. No.: **29/740,394**

(22) Filed: **Jul. 2, 2020**

(51) **LOC (13) Cl.** **26-04**

(52) **U.S. Cl.**
USPC **D26/2; D26/63**

(58) **Field of Classification Search**
USPC D26/1-4, 63
CPC H01R 5/00; H01R 13/46; H01R 13/514;
H01R 31/02; H01R 31/048; H01J 5/00;
H01J 5/16; H01J 1/02; H01J 15/00; H01J
5/48; H01J 5/50; H01J 19/54; F21V 5/00;
F21K 9/00; F21K 13/00
See application file for complete search history.

(56) **References Cited**

U.S. PATENT DOCUMENTS

D861,926 S * 10/2019 Lin D26/2
D879,334 S * 3/2020 Lin D26/2

D879,335 S * 3/2020 Lin D26/2
D879,349 S * 3/2020 Li D26/63
D908,250 S * 1/2021 Xu D26/2

* cited by examiner

Primary Examiner — Marcus A Jackson

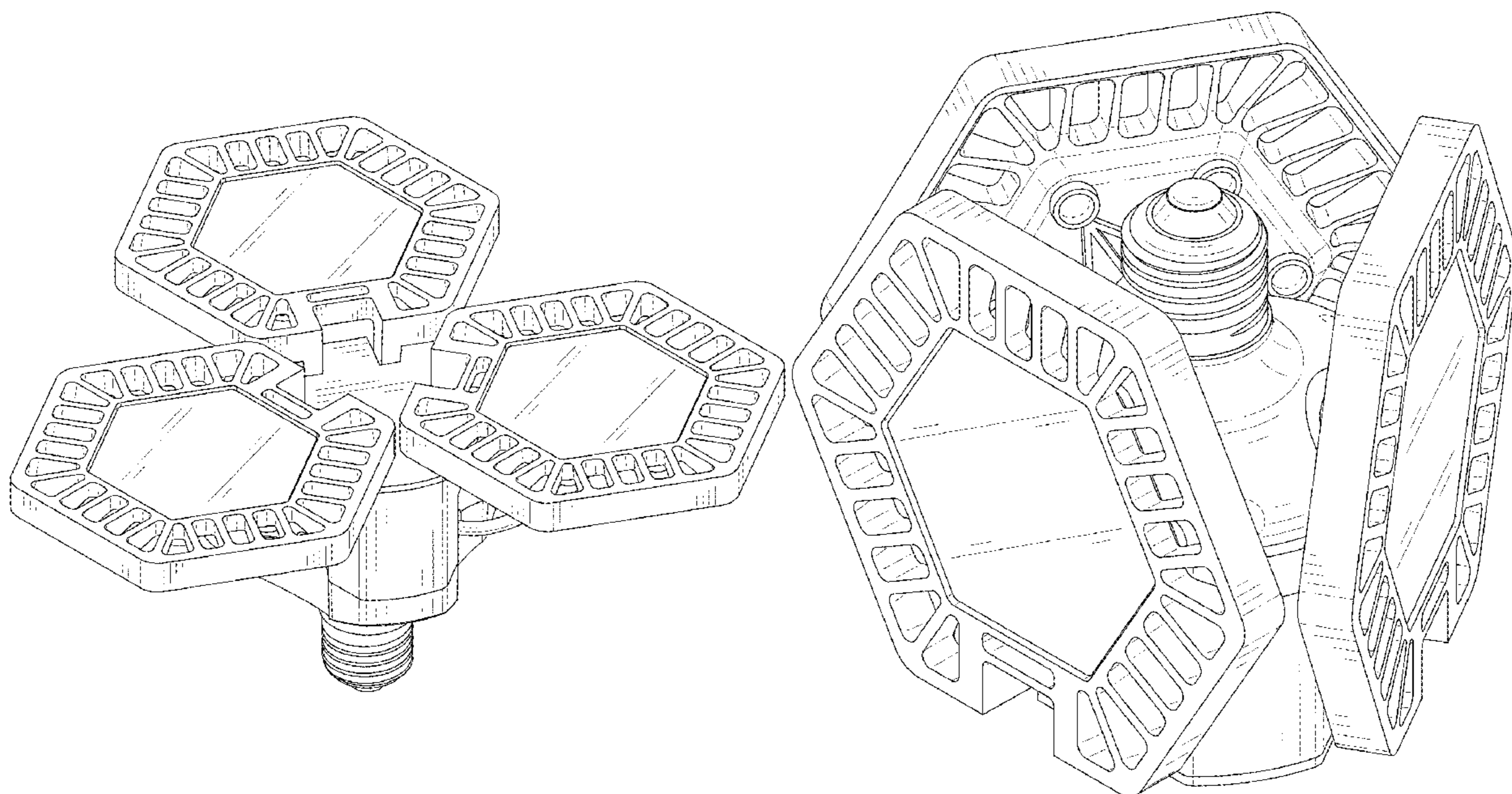
(57) **CLAIM**

The ornamental design for a deformable light, as shown and described.

DESCRIPTION

FIG. 1 is a perspective view of a deformable light showing my new design;
FIG. 2 is another perspective view thereof;
FIG. 3 is a front elevational view thereof;
FIG. 4 is a rear elevational view thereof;
FIG. 5 is a left side elevational view thereof;
FIG. 6 is a right side elevational view thereof;
FIG. 7 is a top plan view thereof;
FIG. 8 is a bottom plan view thereof; and,
FIG. 9 is a perspective view of the deformable light where the deformable light is in a folded state.
The broken lines in the drawings depict portions of the deformable light that form no part of the claimed design.

1 Claim, 9 Drawing Sheets



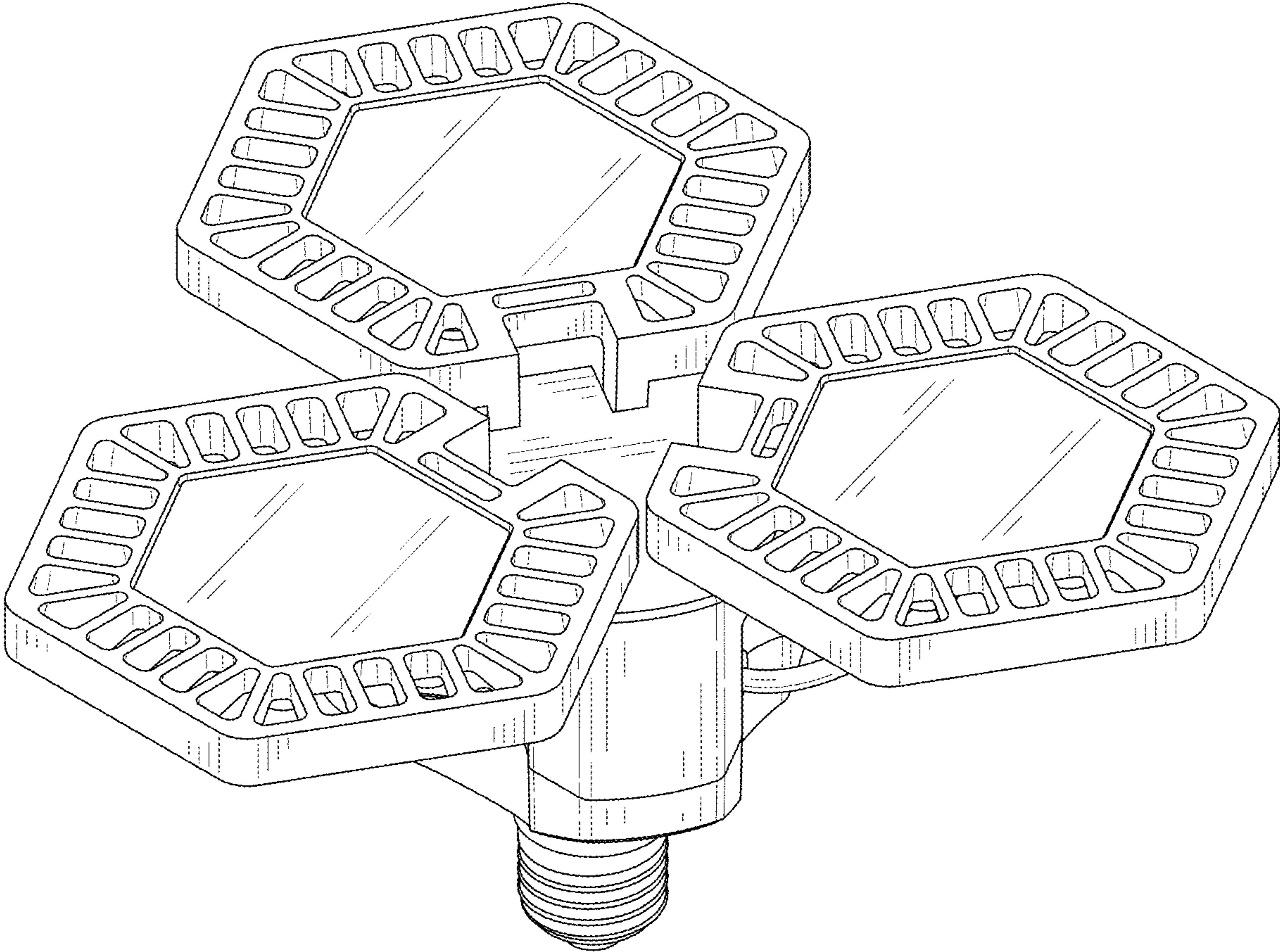


FIG. 1

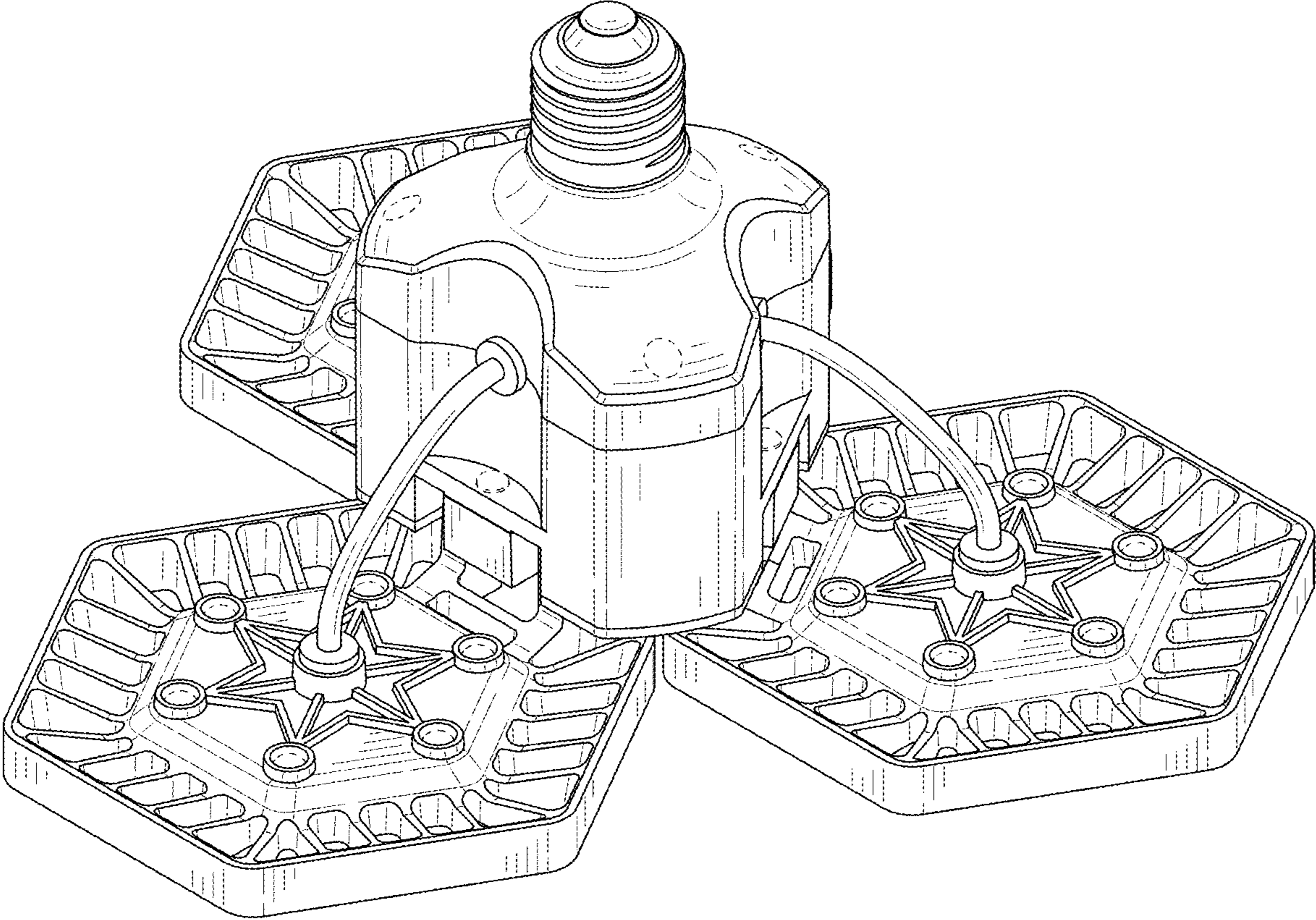


FIG. 2

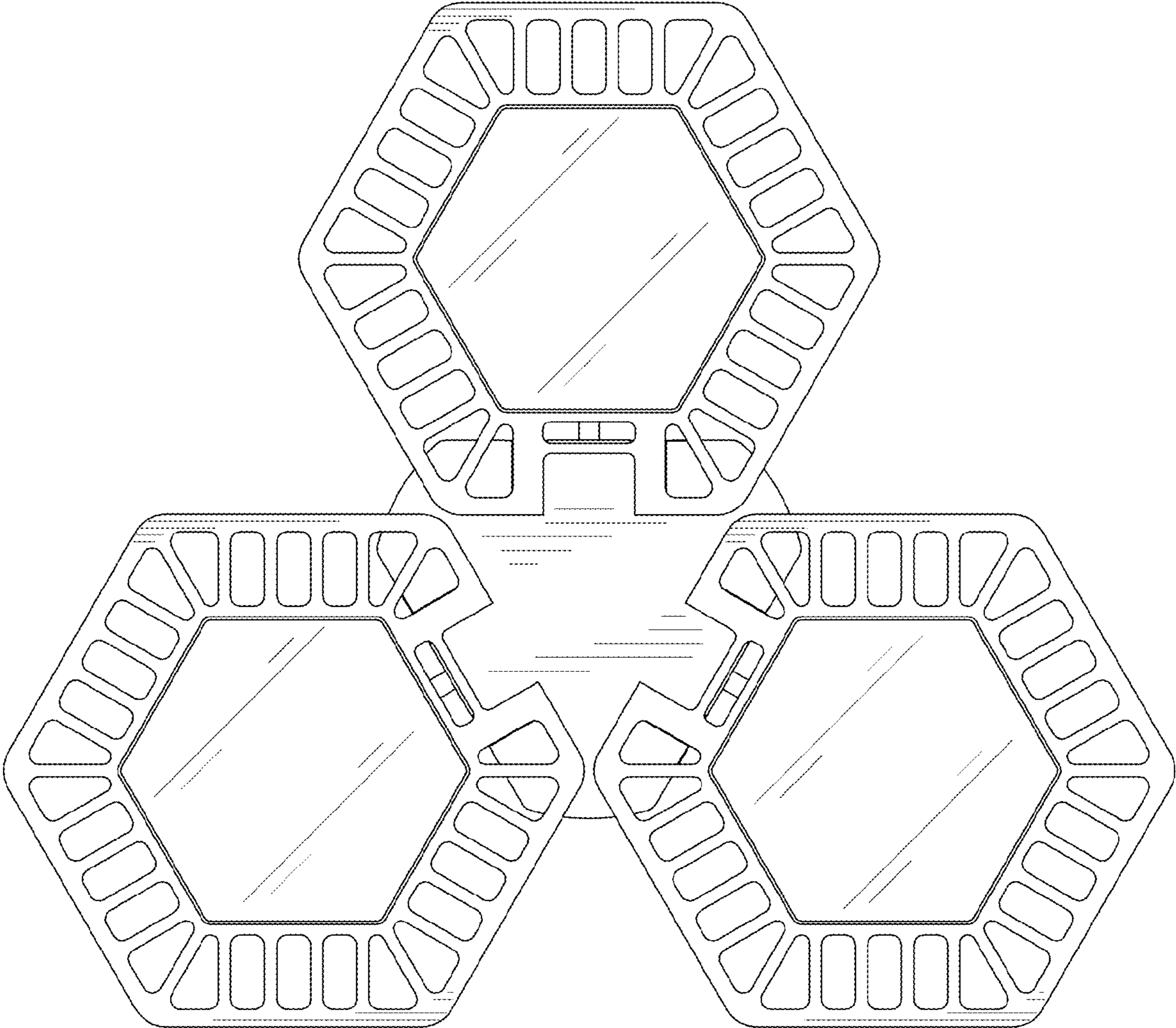


FIG. 3

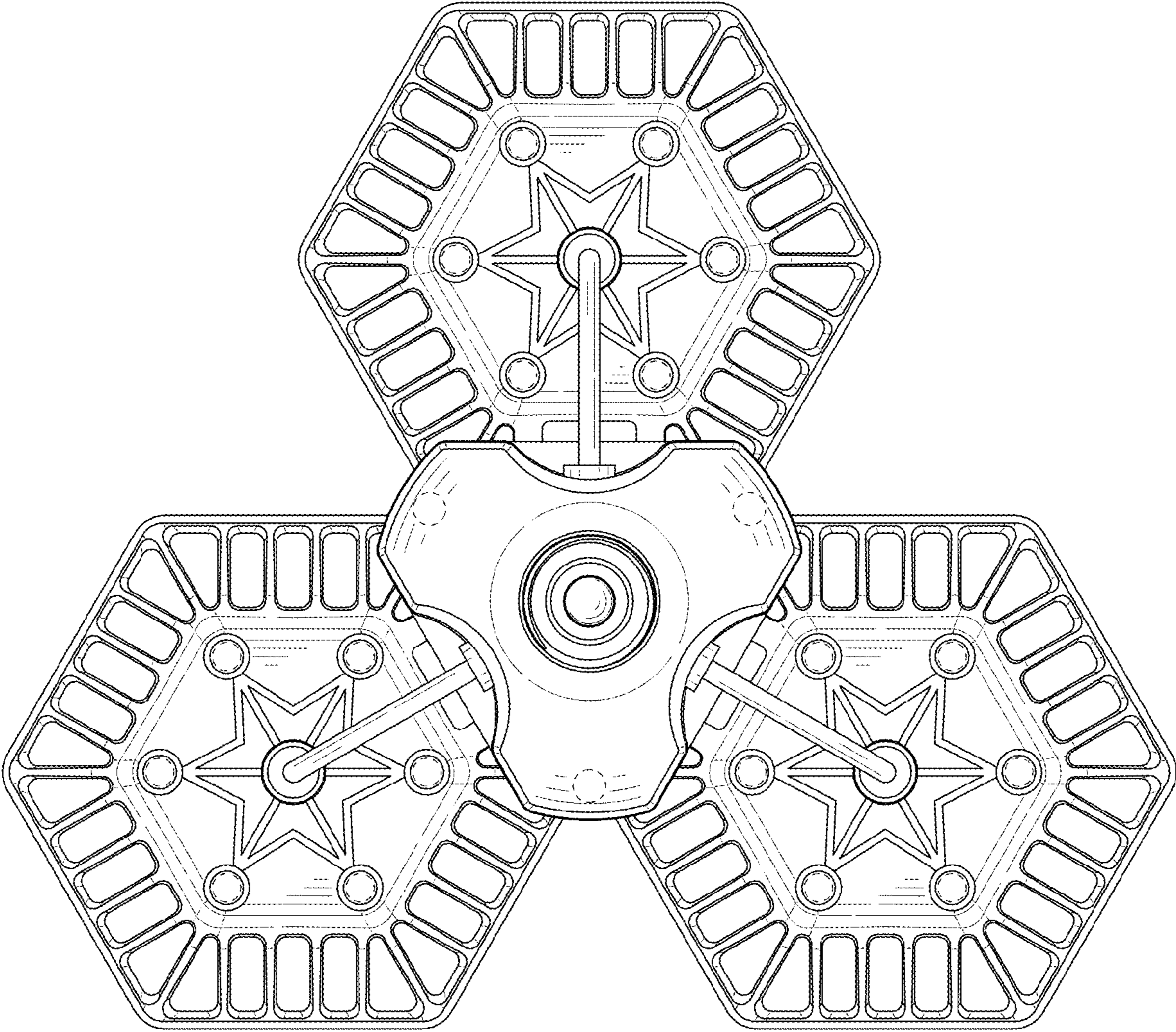


FIG. 4

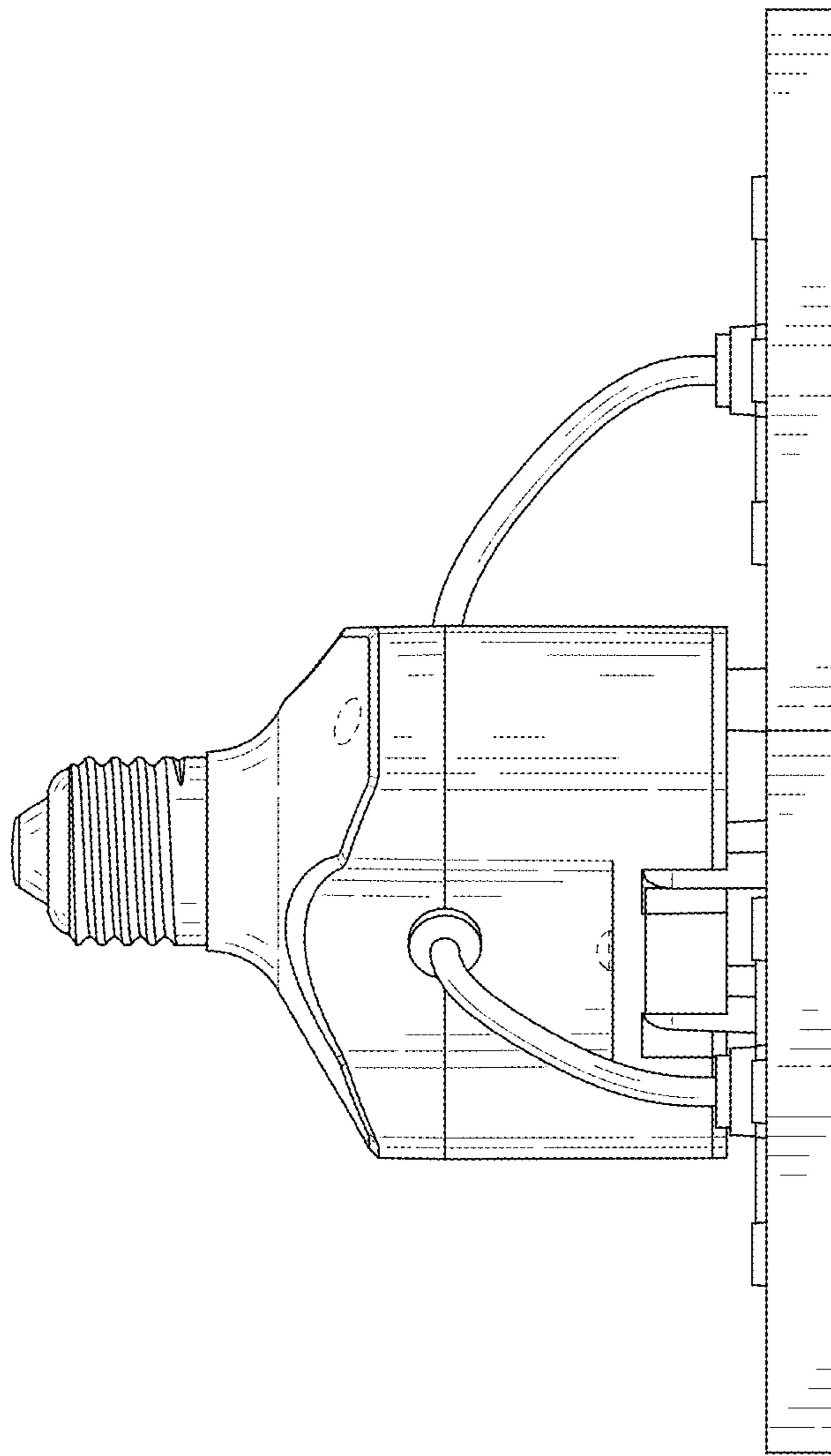


FIG. 5

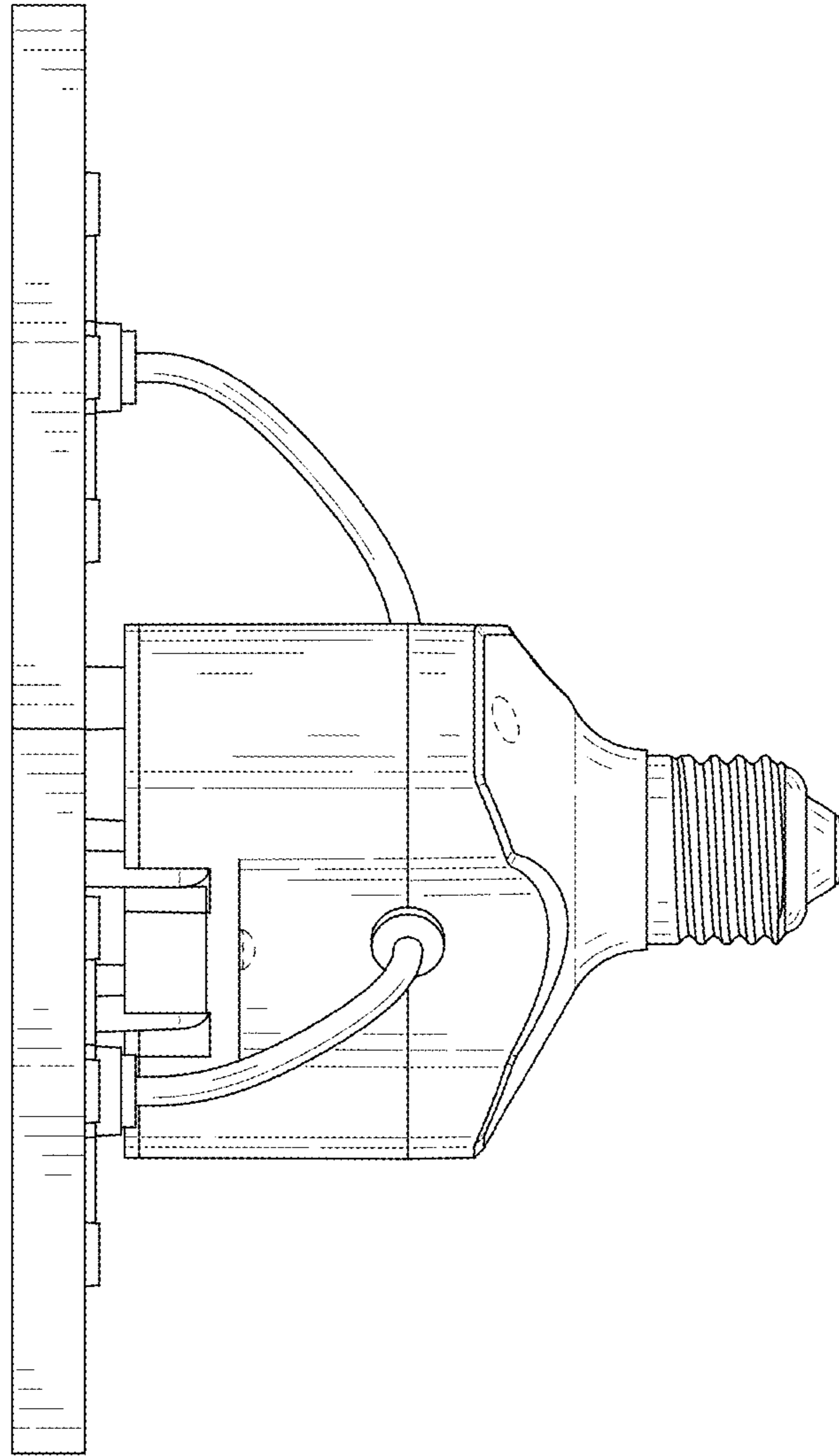


FIG. 6

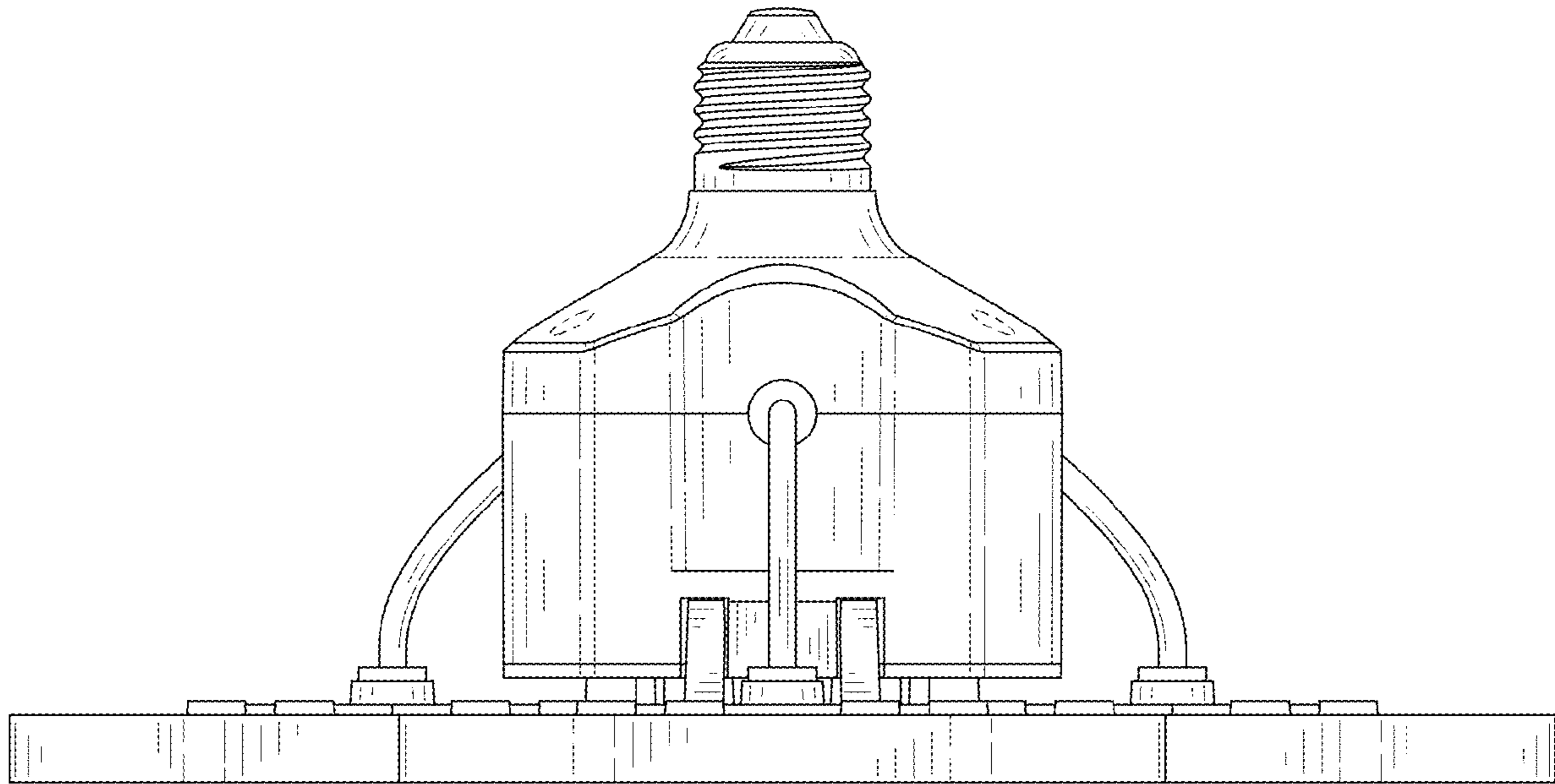


FIG. 7

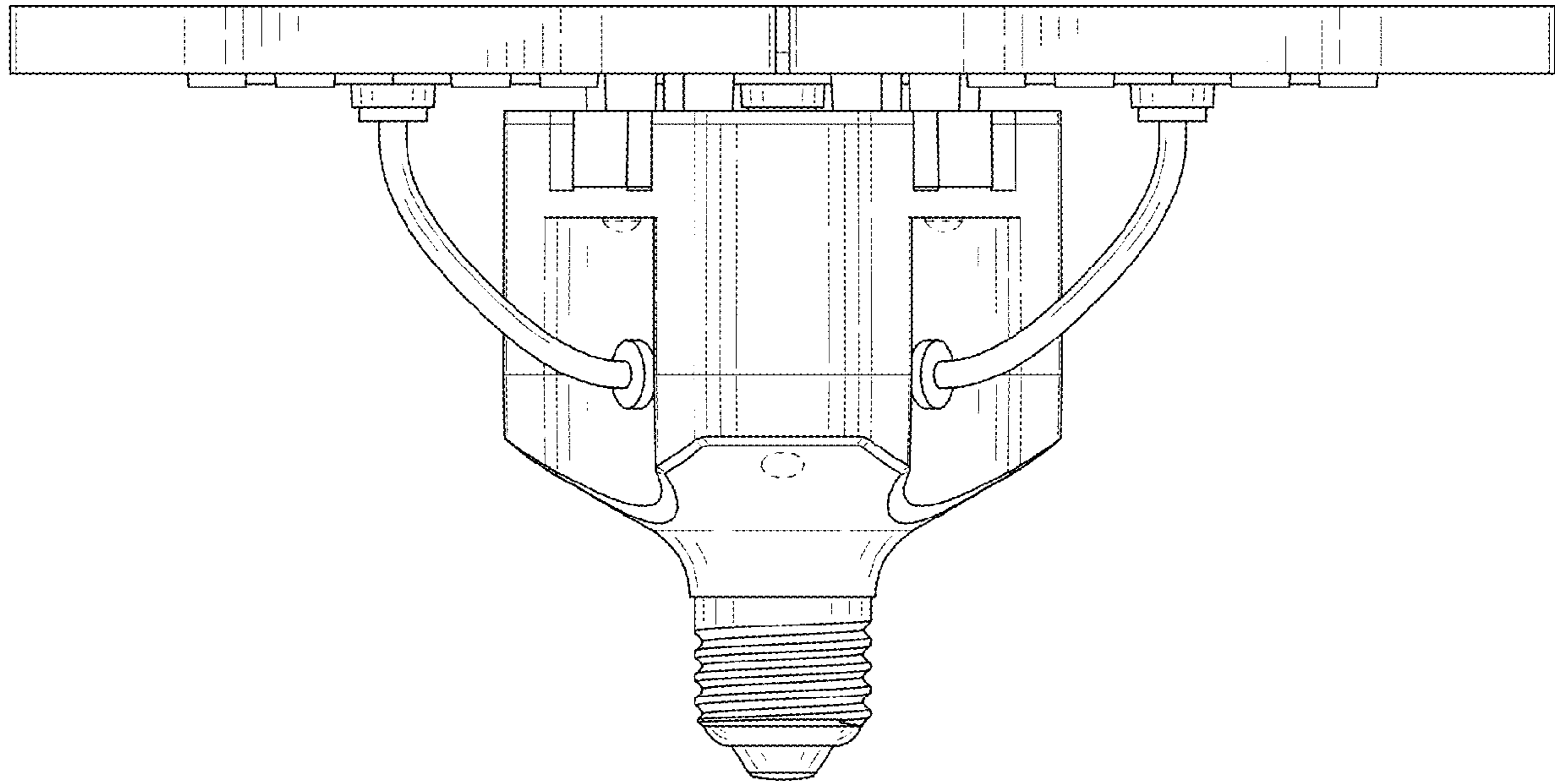


FIG. 8

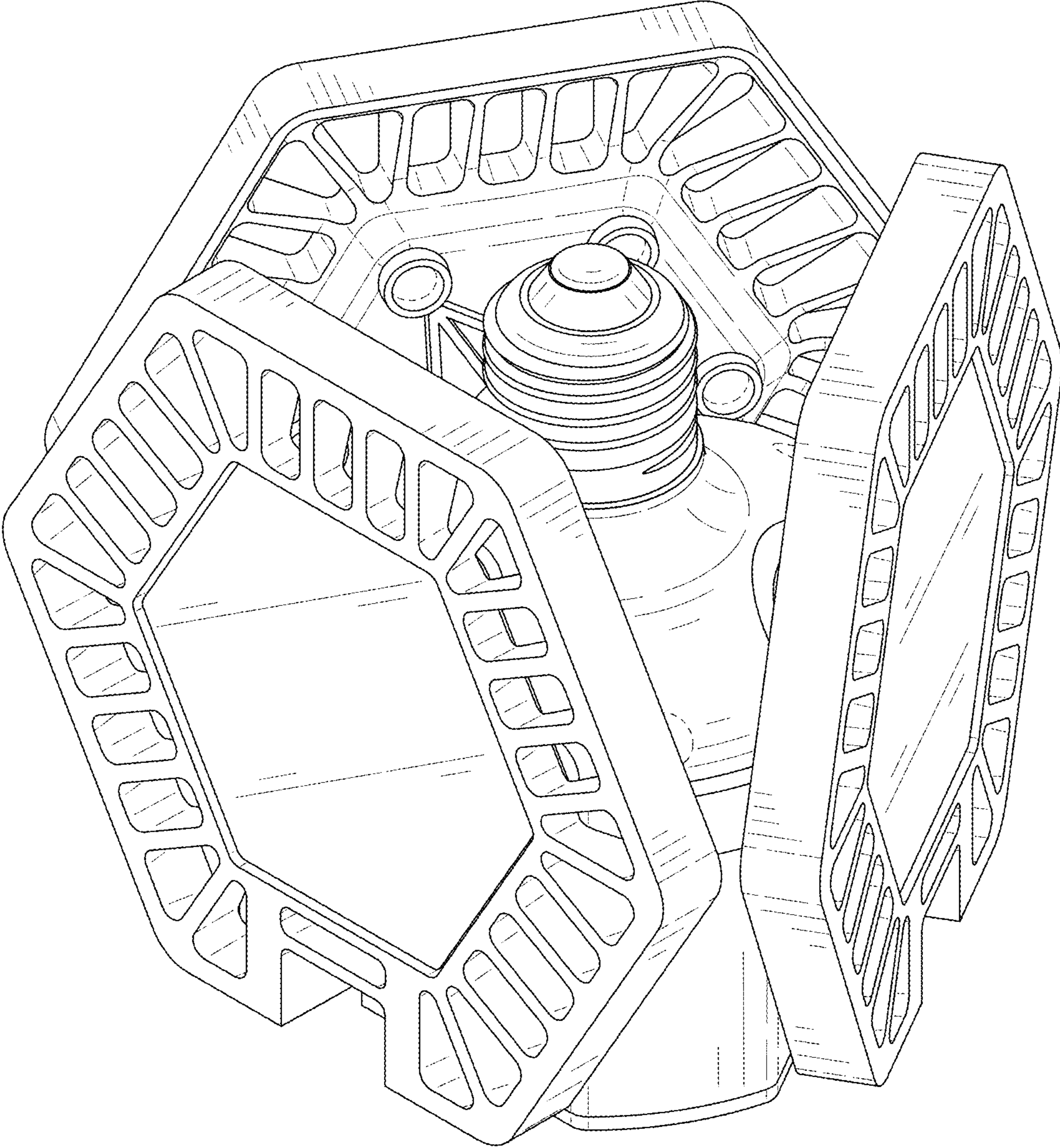


FIG. 9