



US00D942052S

(12) **United States Design Patent** (10) **Patent No.:** **US D942,052 S**
Lette (45) **Date of Patent:** **** Jan. 25, 2022**

(54) **UPPER SHOULDER OF A FAÇADE PANEL**

Primary Examiner — Doris Clark

(71) Applicant: **BLUESCOPE STEEL LIMITED,**
Melbourne (AU)

(74) *Attorney, Agent, or Firm* — Nyemaster Goode, P.C.

(72) Inventor: **Michael Lette,** Kingford (AU)

(57) **CLAIM**

(73) Assignee: **BLUESCOPE STEEL LIMITED,**
Melbourne (AU)

I claim the ornamental design for a façade panel, as shown and described.

(**) Term: **15 Years**

DESCRIPTION

(21) Appl. No.: **29/738,760**

(22) Filed: **Jun. 19, 2020**

(30) **Foreign Application Priority Data**

Dec. 19, 2019 (AU) 201917287

(51) **LOC (13) Cl.** **25-01**

(52) **U.S. Cl.**
USPC **D25/138; D25/119**

(58) **Field of Classification Search**
USPC D25/138, 139, 119
CPC E04C 2/00; E04C 2/02; E04C 2/30; E04C 2/384; E04C 2/38; E04C 2/08; E04C 2/543; E04C 2/40; E04C 2002/004; E04C 2002/001; E04C 2002/005; E04F 13/077; E04F 13/075; E04F 13/076; E04F 13/0867; E04F 13/073; E04F 13/0733; E04F 13/00; E04F 13/007; E04F 13/07; E04F 13/072

See application file for complete search history.

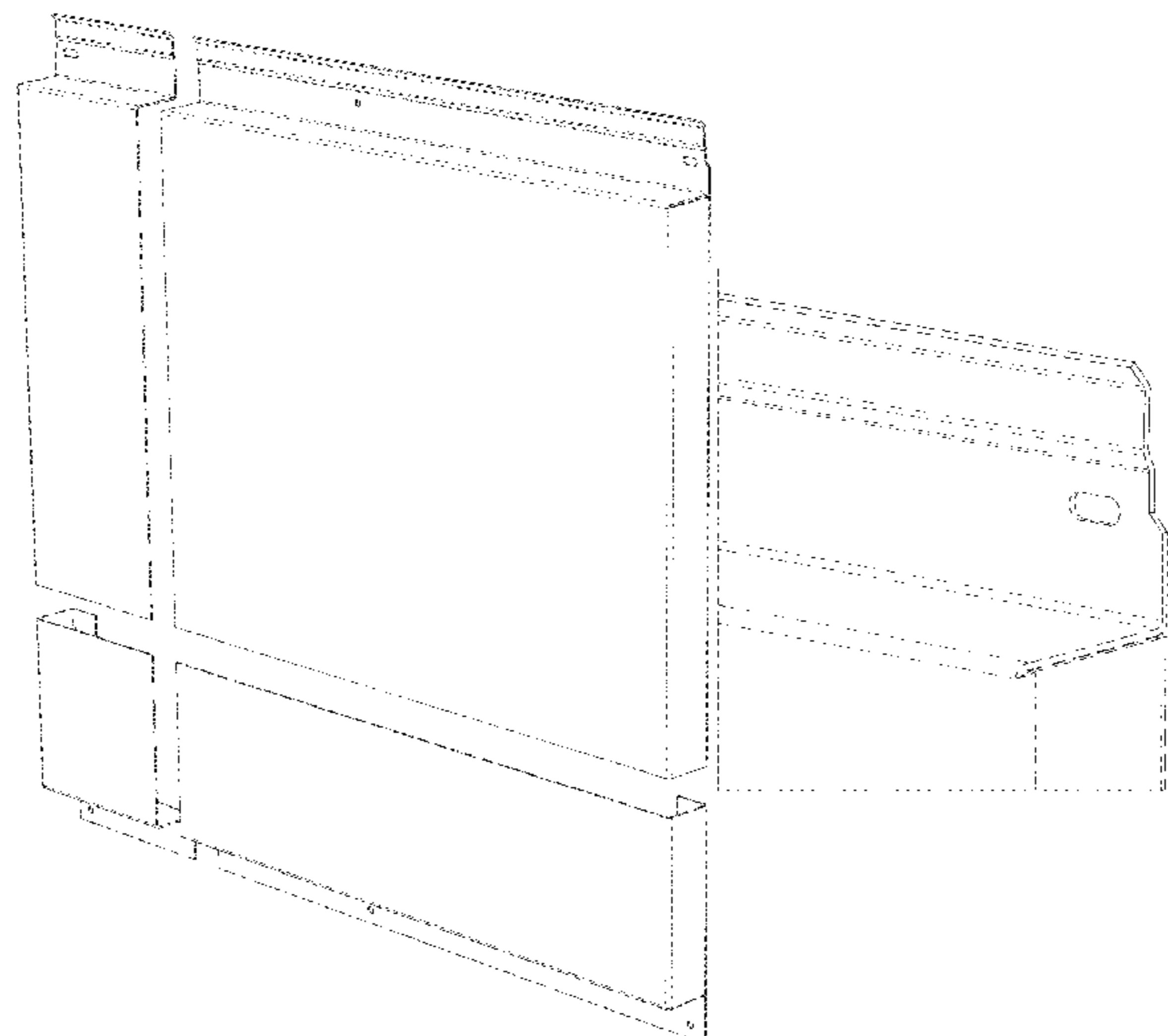
(56) **References Cited**

U.S. PATENT DOCUMENTS

- 3,237,361 A * 3/1966 Norman, Jr. E04F 13/0864
52/508
- 4,962,612 A * 10/1990 Kuwano E04C 2/08
52/506.06
- 5,239,798 A * 8/1993 Saito E04B 2/92
52/235

(Continued)

1 Claim, 7 Drawing Sheets



(56)

References Cited

U.S. PATENT DOCUMENTS

D342,326 S * 12/1993 Hansson D25/119
D454,648 S * 3/2002 Shaw D25/102
6,834,468 B1 * 12/2004 Kroie E04B 1/6141
52/590.2
6,912,822 B2 * 7/2005 Vos E04C 2/08
52/522
D642,288 S * 7/2011 Jenny D25/138
D705,447 S * 5/2014 Chrien D25/36
8,898,977 B2 * 12/2014 Gulino E04F 13/185
52/287.1
9,032,676 B2 * 5/2015 Yarmo E04F 13/0733
52/288.1
9,482,010 B2 * 11/2016 Kartler E04F 13/0733
9,765,513 B2 * 9/2017 Stucky E04F 19/024
9,926,707 B1 * 3/2018 Knight, Jr. E04F 13/12
10,422,125 B2 * 9/2019 Judd E04B 1/61

* cited by examiner

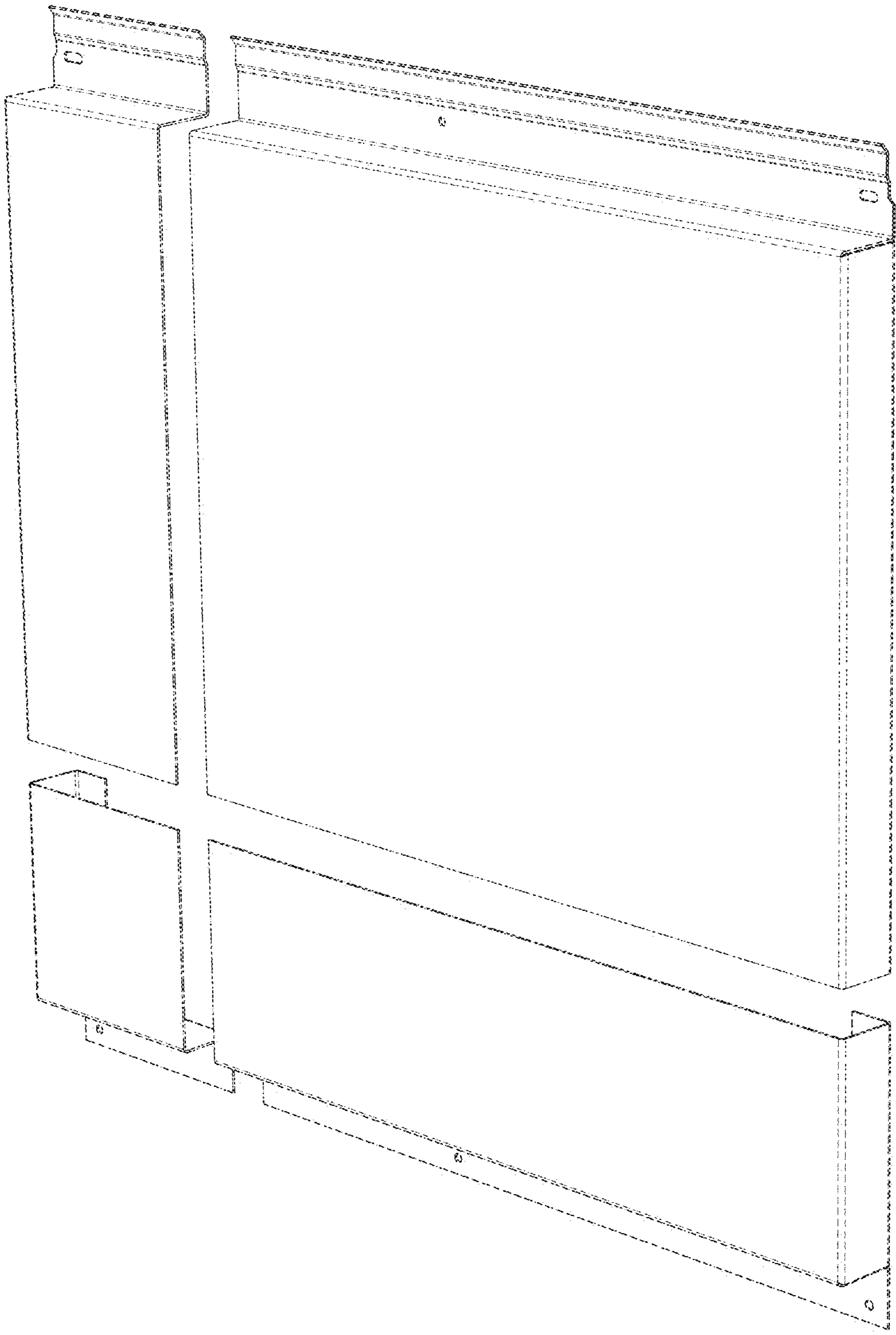


Figure 1

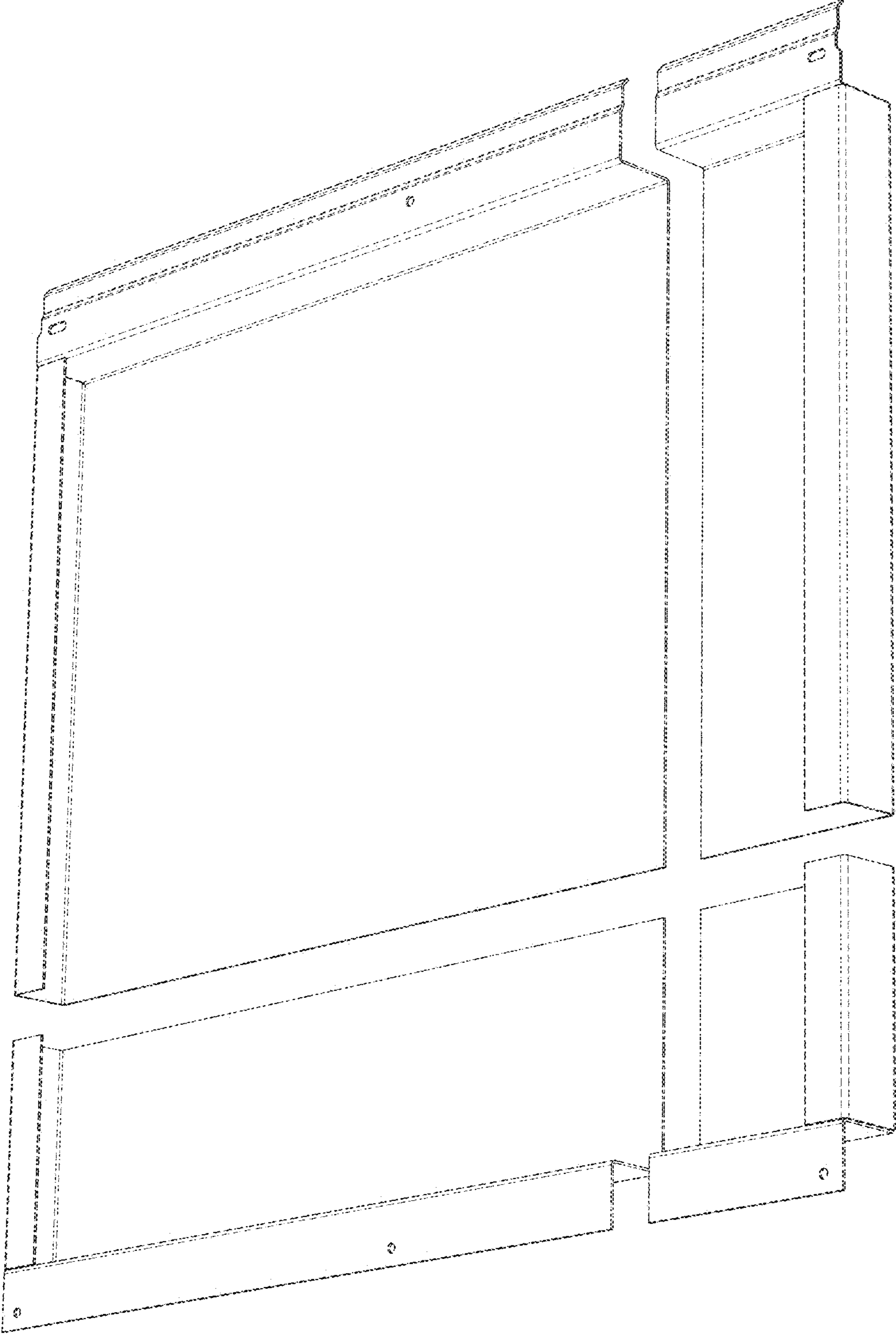


Figure 2

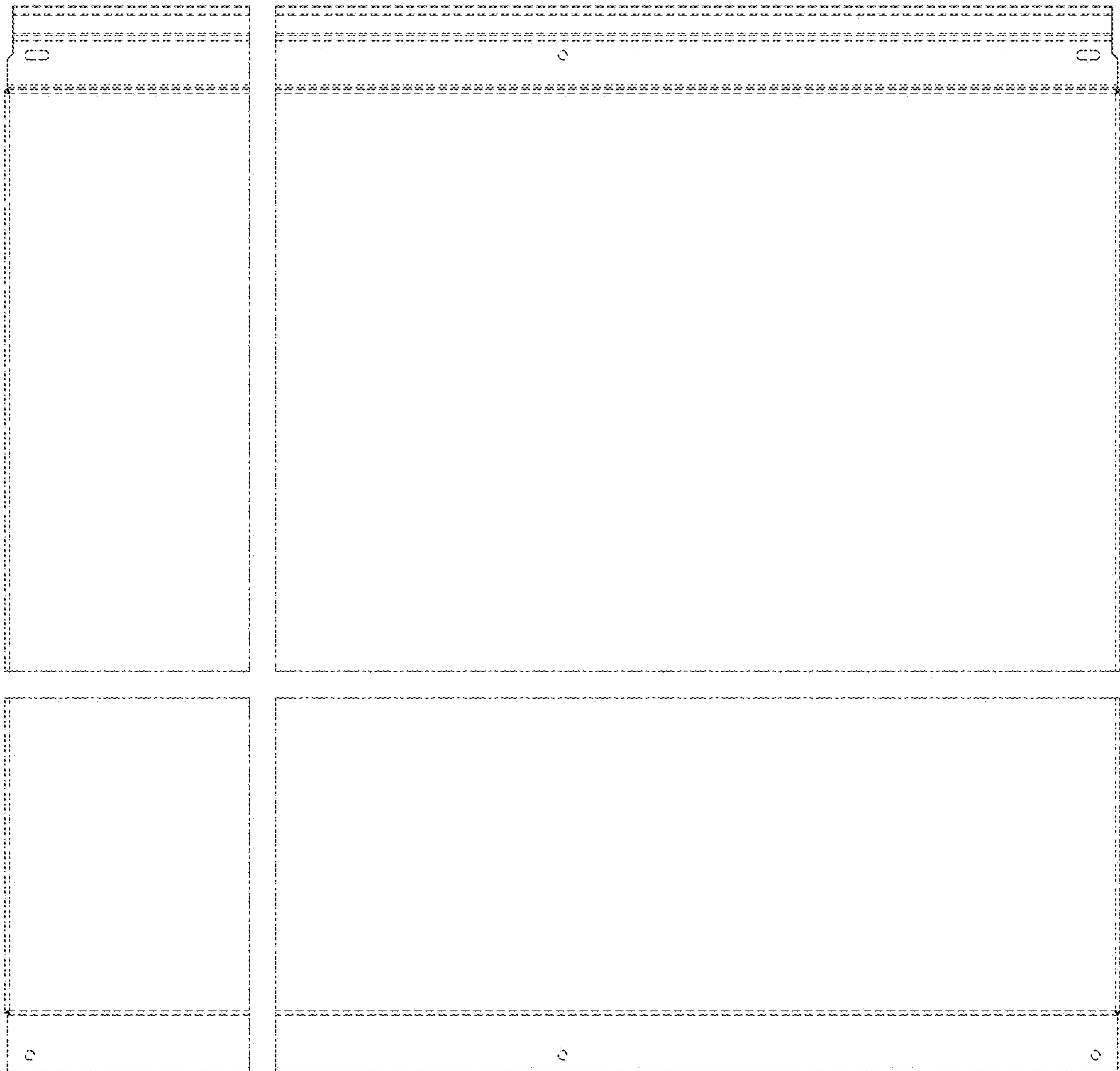


Figure 3

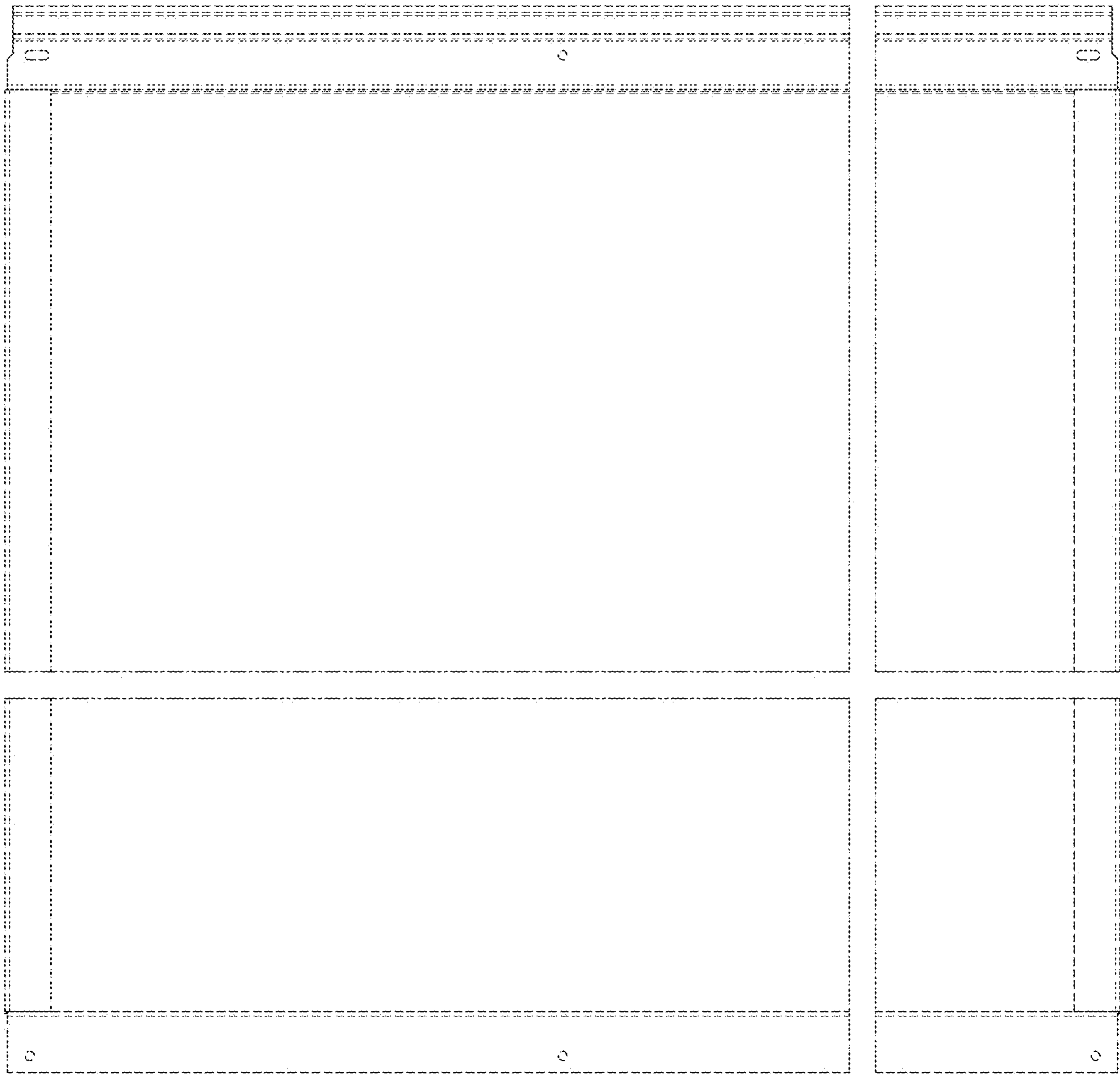


Figure 4



Figure 5

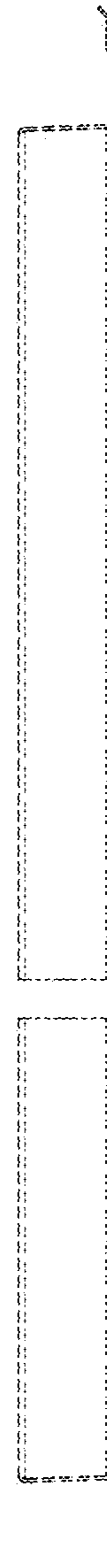


Figure 6



Figure 7

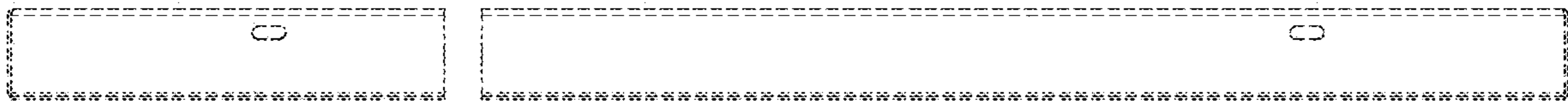


Figure 8

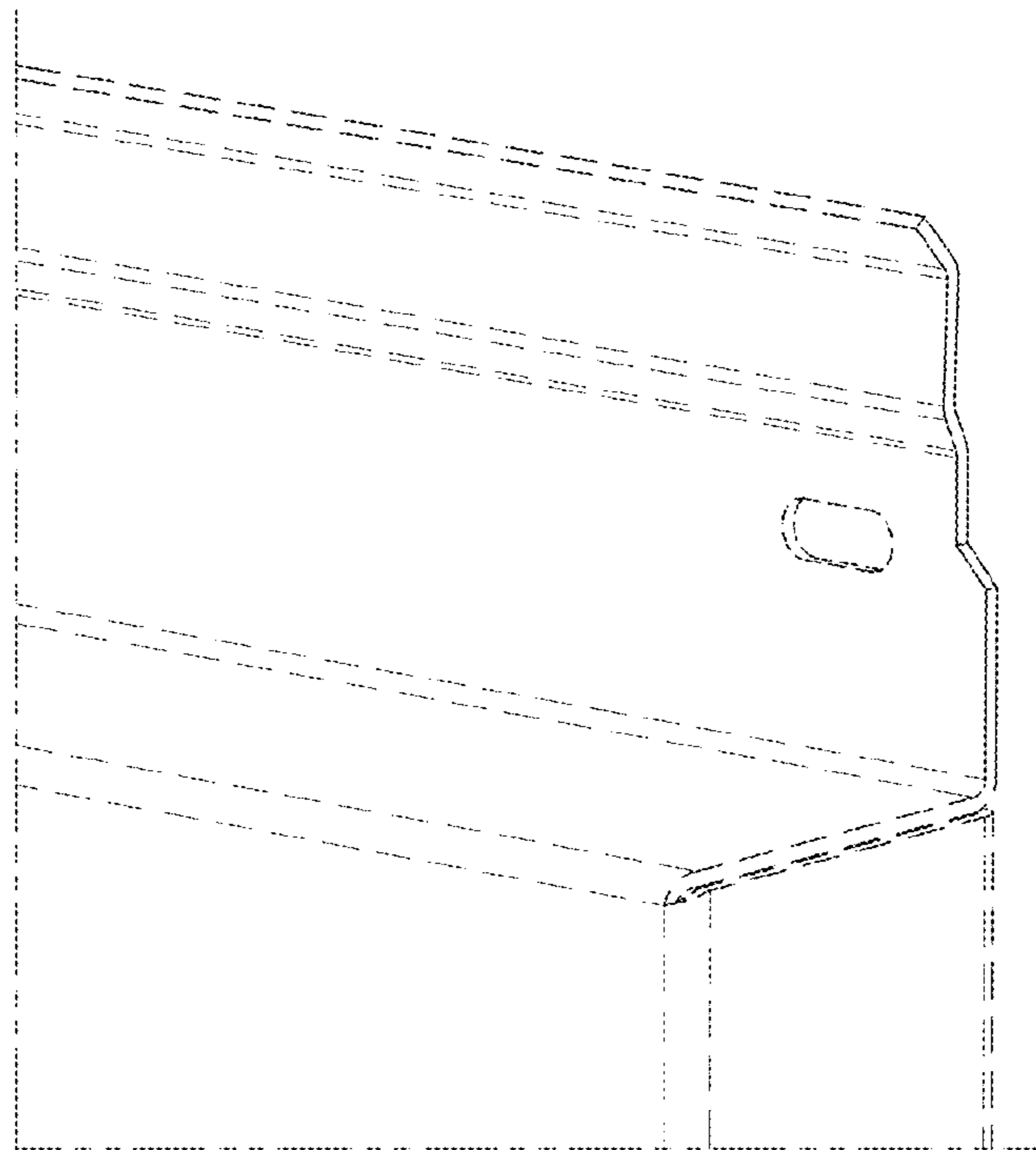


Figure 9

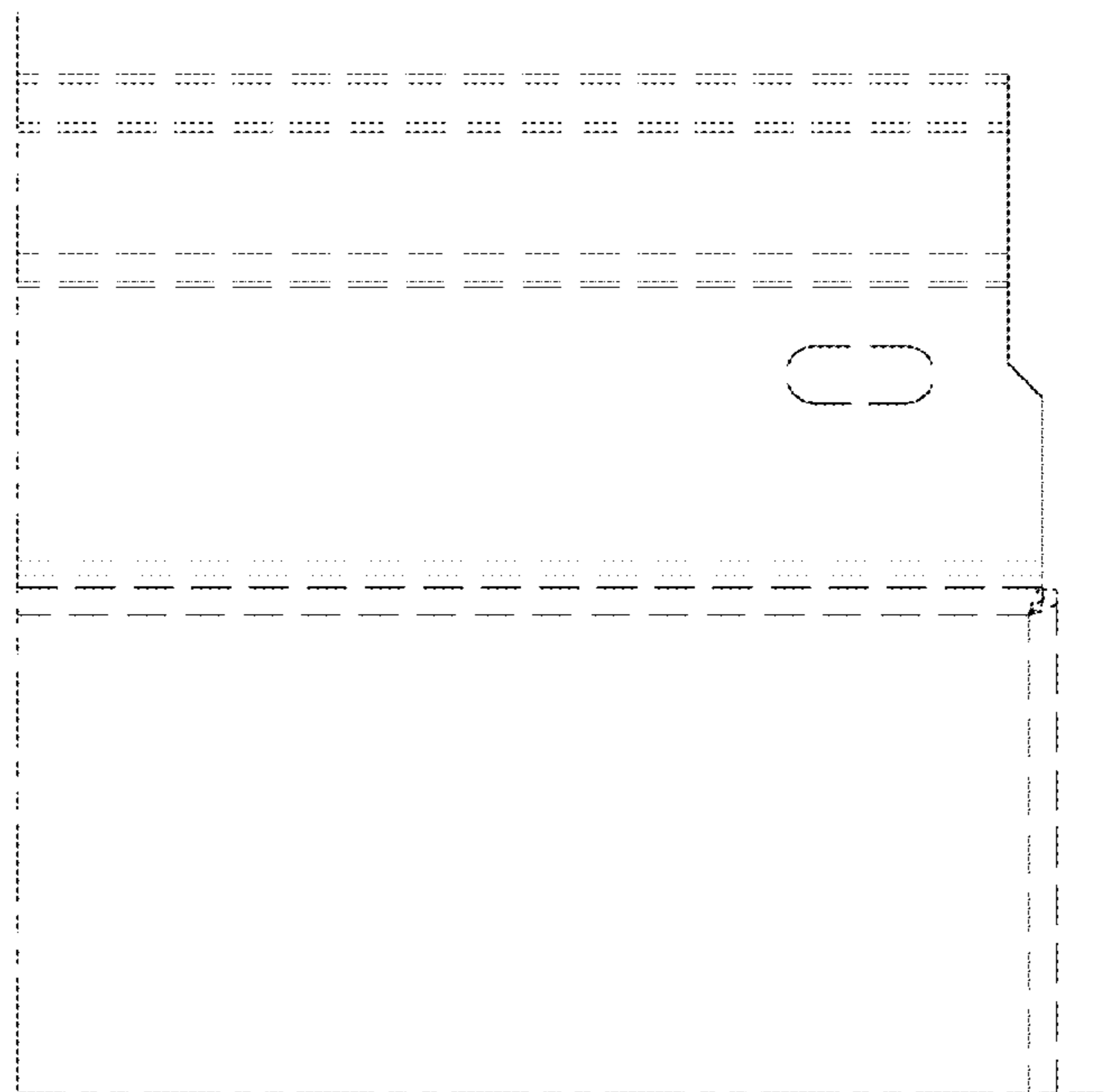


Figure 10