



US00D942051S

(12) **United States Design Patent** (10) **Patent No.:** **US D942,051 S**
Rozas Andreu (45) **Date of Patent:** **** Jan. 25, 2022**

(54) **RACK IMPACT PROTECTOR AND SHOCK ABSORBER**

(71) Applicant: **Energías Naturales Chile**, Quilicura (CL)
 (72) Inventor: **Martin Rozas Andreu**, Quilicura (CL)
 (73) Assignee: **ENERGIAS NATURALES LIMITADA**, Santiago (CL)
 (**) Term: **15 Years**
 (21) Appl. No.: **29/726,083**
 (22) Filed: **Feb. 28, 2020**

(30) **Foreign Application Priority Data**

Aug. 28, 2019 (CL) 2483-2019
 (51) **LOC (13) Cl.** **25-01**
 (52) **U.S. Cl.**
 USPC **D25/126**

(58) **Field of Classification Search**

USPC D25/125, 126, 127, 128, 129, 130, 131, D25/132, 133, 134, 135, 136, 119
 CPC E04H 17/16; E04H 17/20; E04H 17/00; E04H 17/05; E04H 17/124; E04H 17/1404; E04H 17/1447; G09F 15/0006; D10B 2403/0333; E01F 13/022; E01F 15/0469; E01F 15/141; F16M 13/02; G06T 11/60; A47B 95/043; B65G 1/02; B65G 2207/40

See application file for complete search history.

(56) **References Cited**

U.S. PATENT DOCUMENTS

D344,601 S * 2/1994 Jenkins D25/124
 7,771,327 B1 * 8/2010 Reams A63B 21/0552
 482/80
 D735,363 S * 7/2015 Moller D25/136
 D735,364 S * 7/2015 Moller D25/136
 D735,897 S * 8/2015 Moller D25/136
 D741,962 S * 10/2015 Terrian D21/686
 D773,696 S * 12/2016 Molinelli D25/136
 10,180,000 B2 * 1/2019 Asay E04C 3/08
 2005/0095060 A1 * 5/2005 Buttau F16B 5/125
 403/252
 2014/0378283 A1 * 12/2014 Qiu A61H 1/0292
 482/142
 2021/0131140 A1 * 5/2021 Rinerson E04H 17/1452

* cited by examiner

Primary Examiner — Samantha Q Lawrence

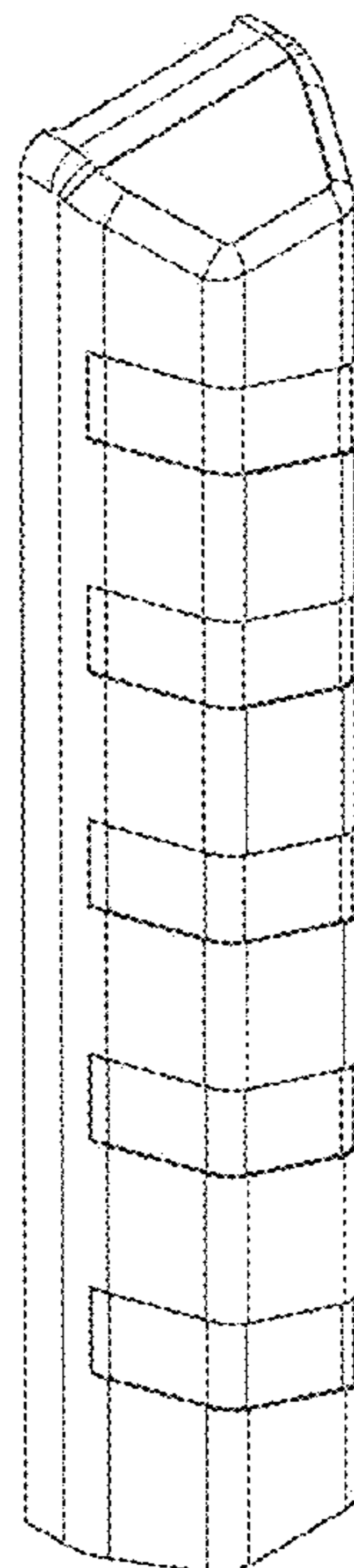
(57) **CLAIM**

The ornamental design for a rack impact protector and shock absorber, as shown and described.

DESCRIPTION

FIG. 1 is a top, left, front perspective view of a rack impact protector and shock absorber showing our new design;
 FIG. 2 is a bottom, rear perspective view thereof;
 FIG. 3 is a front elevational view thereof;
 FIG. 4 is a rear elevational view thereof;
 FIG. 5 is a left side elevational view thereof;
 FIG. 6 is a right side elevational view thereof;
 FIG. 7 is a top plan view thereof; and,
 FIG. 8 is a bottom plan view thereof.

1 Claim, 7 Drawing Sheets



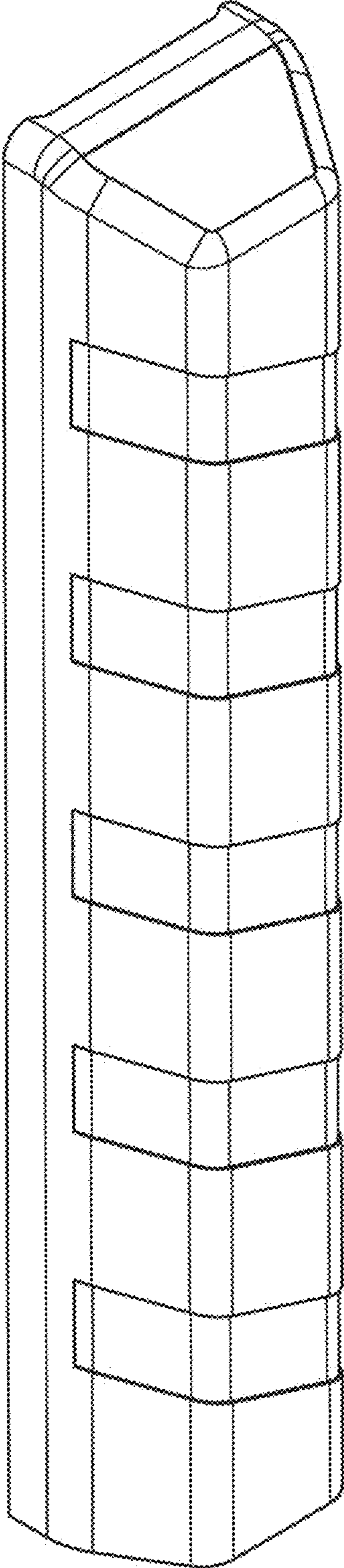


FIG. 1

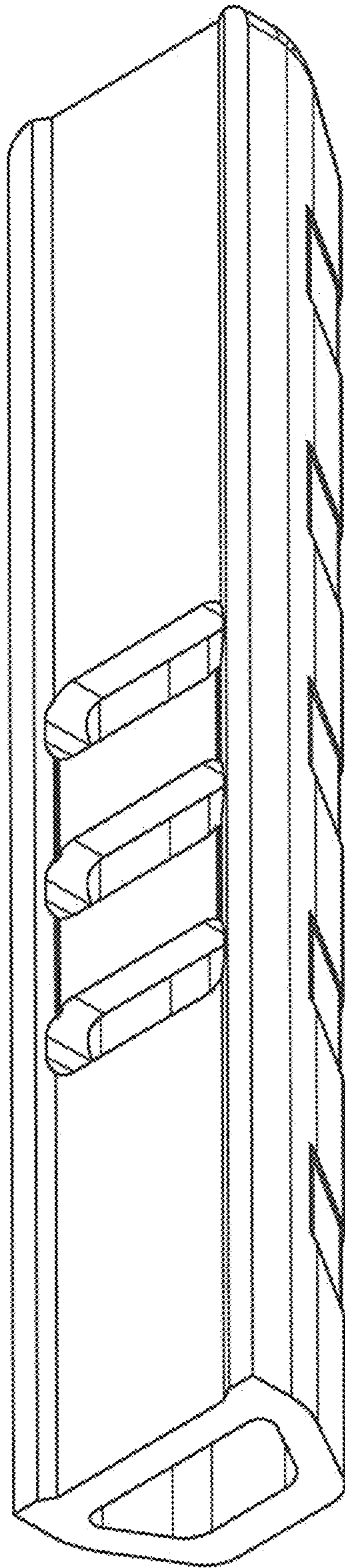


FIG. 2

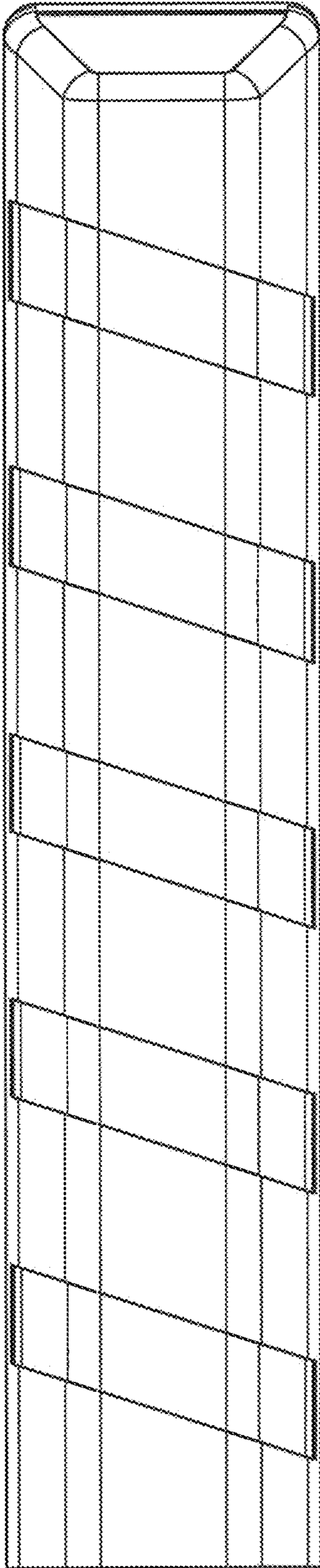


FIG. 3

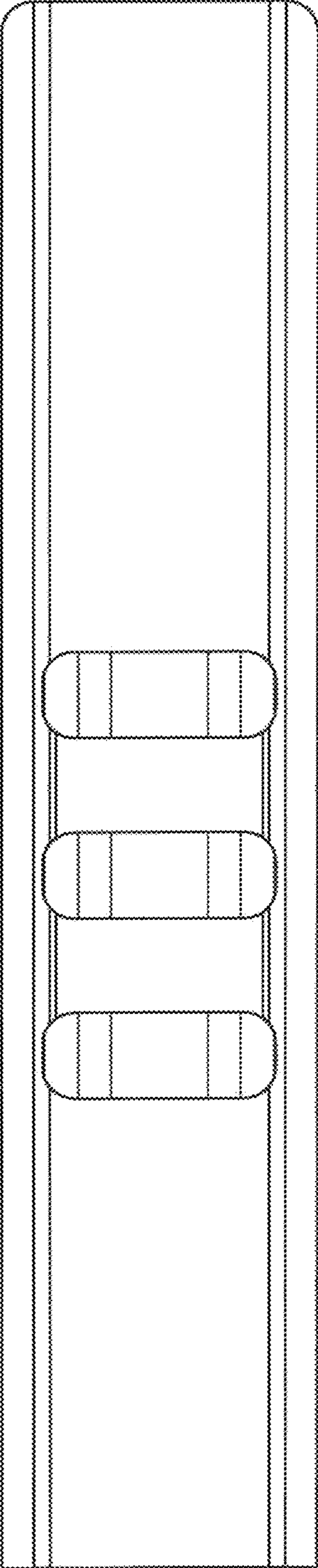


FIG. 4

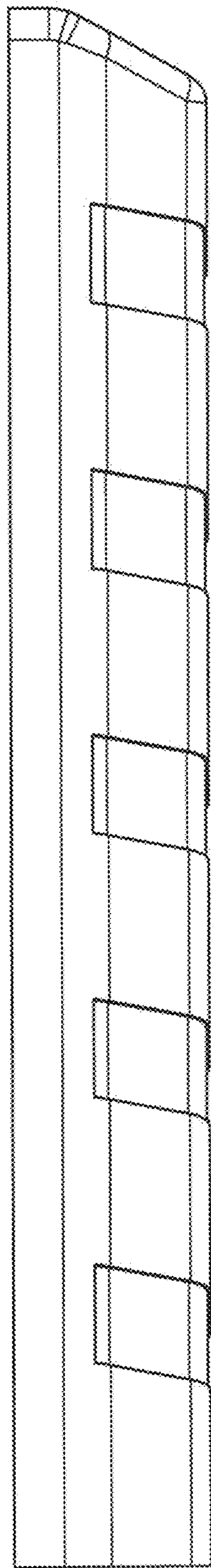


FIG. 5

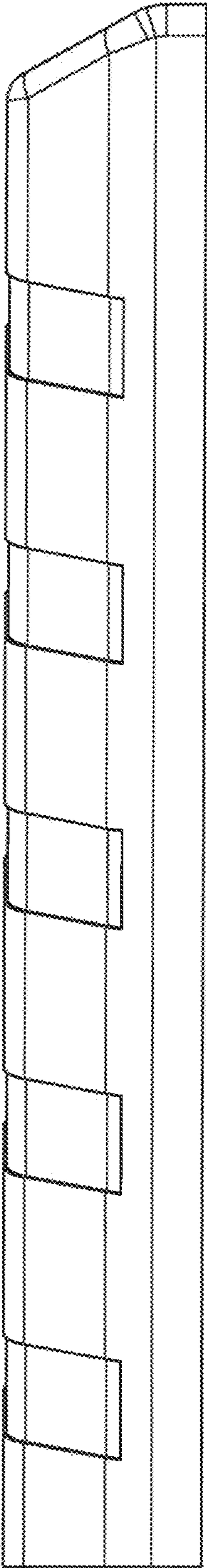


FIG. 6

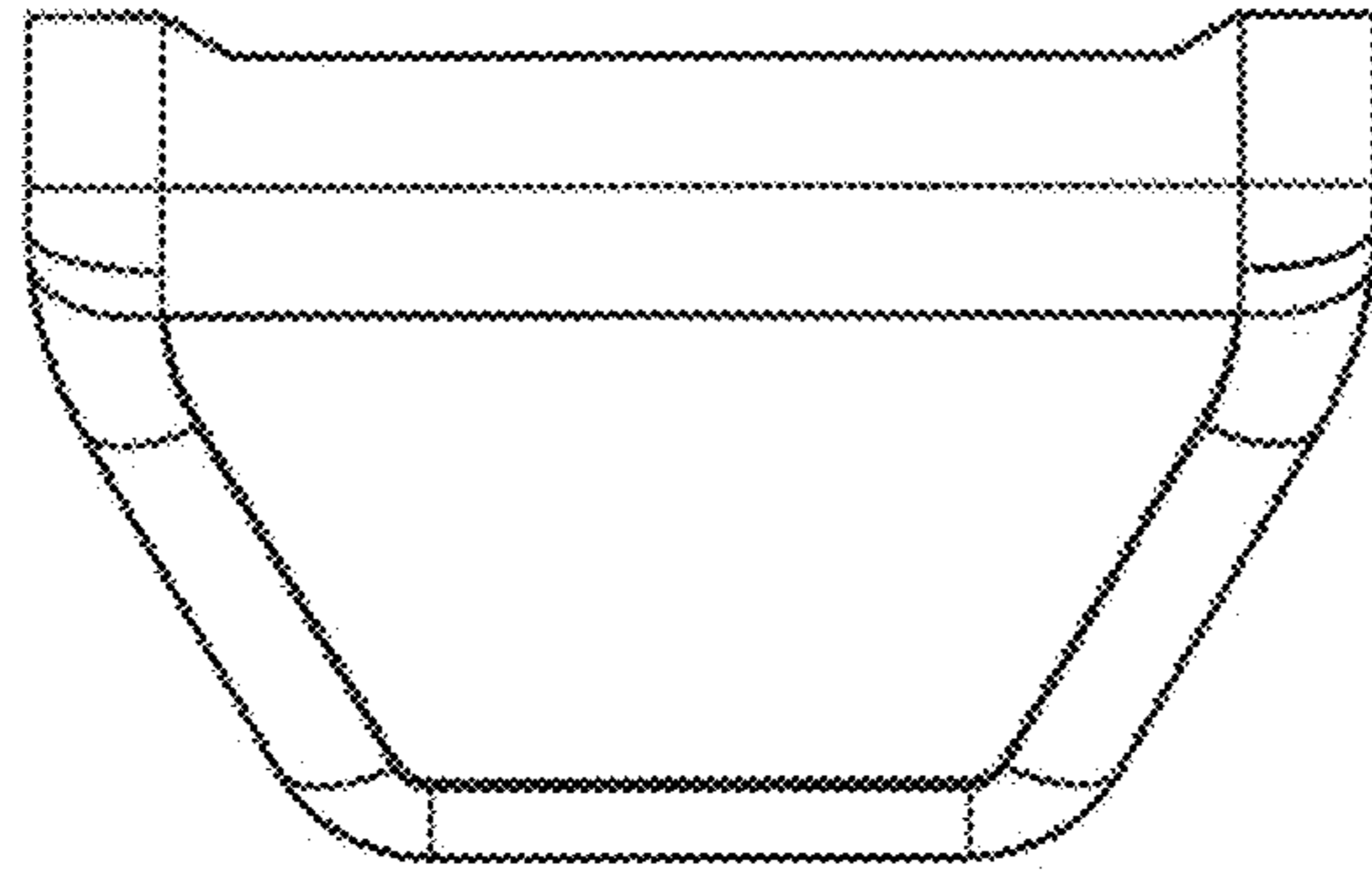


FIG. 7

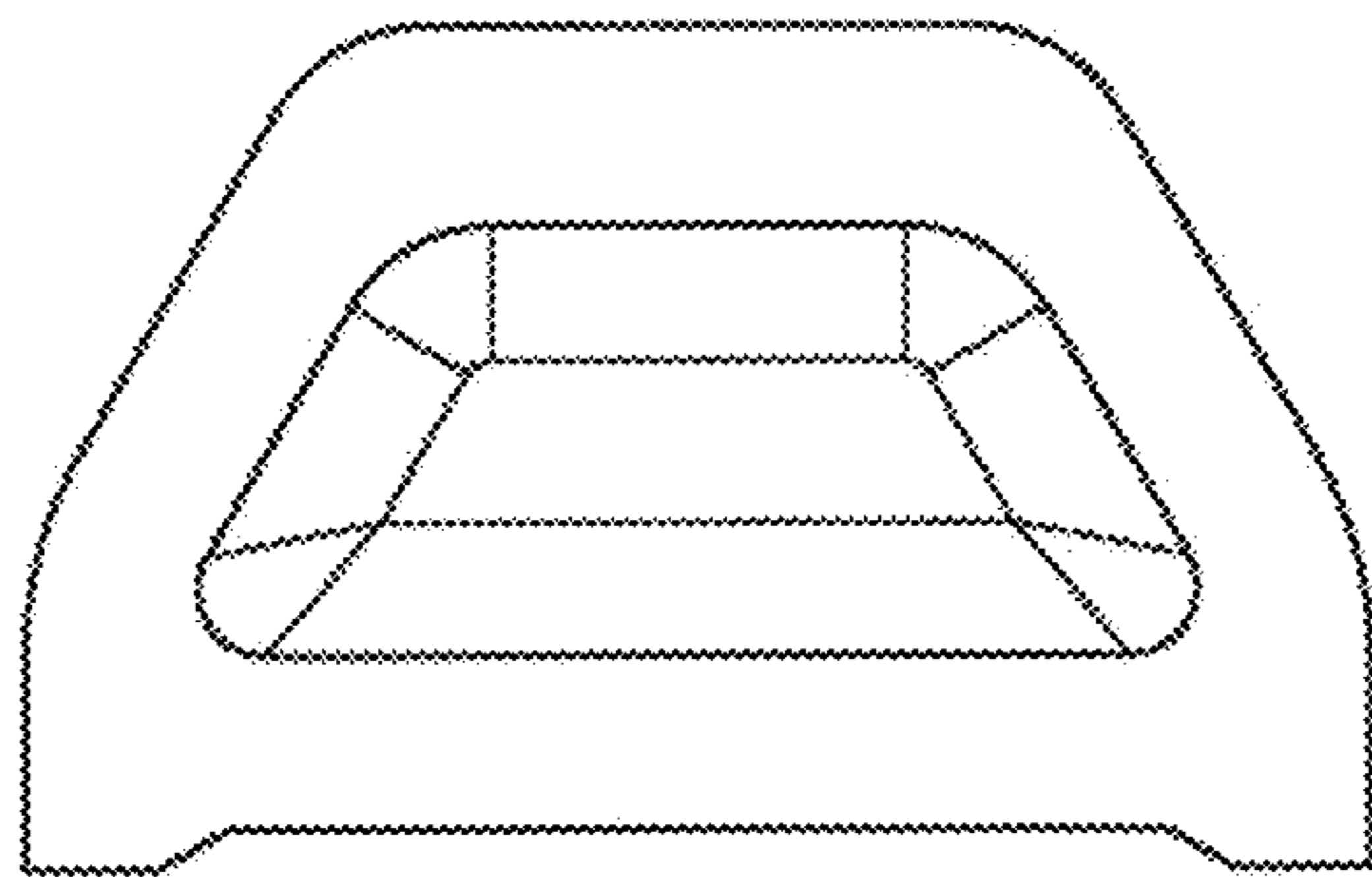


FIG. 8