



US00D942050S

(12) **United States Design Patent**
Thomas

(10) **Patent No.:** **US D942,050 S**
(45) **Date of Patent:** **** Jan. 25, 2022**

(54) **POST**

H05B 6/109; H05B 6/36; H05B 6/42;
H05B 6/44; Y02P 10/25; H01Q 1/42

(71) Applicant: **NZ Tube Mills Limited**, Lower Hutt
(NZ)

See application file for complete search history.

(72) Inventor: **Malcolm Thomas**, Upper Hutt (NZ)

(56) **References Cited**

(73) Assignee: **NZ Tube Mills Limited**, Seaview (NZ)

U.S. PATENT DOCUMENTS

(**) Term: **15 Years**

(21) Appl. No.: **29/721,098**

D462,588	S	*	9/2002	Kisby	D21/679
D587,548	S	*	3/2009	O'Toole	D8/14
D619,738	S	*	7/2010	Mannhart	D25/126
D630,085	S	*	1/2011	Zant	D8/354
D678,554	S	*	3/2013	Tidemann	D25/126
D737,997	S	*	9/2015	Cassidy	D25/133
D754,880	S	*	4/2016	Reusing	D25/133
D792,613	S	*	7/2017	Bar-or	D25/126
D817,915	S	*	5/2018	Norrell	D14/188
D817,916	S	*	5/2018	Norrell	D14/188
D817,917	S	*	5/2018	Norrell	D14/188
D817,918	S	*	5/2018	Sabatino	D14/188
10,485,188	B2	*	11/2019	Carter	E04H 17/12

(22) Filed: **Jan. 17, 2020**

(30) **Foreign Application Priority Data**

Jul. 31, 2019 (NZ) 426 296

(51) **LOC (13) Cl.** **25-01**

(52) **U.S. Cl.**
USPC **D25/126**

(58) **Field of Classification Search**
USPC D25/119, 125, 126, 127, 128, 129, 130,
D25/131, 132, 133, 135, 136, 61, 164;
D8/45, 71, 394-396, 349, 354, 355;
D15/135, 136, 138

CPC E04B 9/068; E04B 1/19; E04B 1/1903;
E04B 1/24; E04B 1/2403; E04B 1/40;
E04B 2001/2415; E04B 2001/2421; E04B
2001/2451; E04B 1/161; E04B
2002/8694; E04B 2/845; E04B 1/26;
E04B 2001/2472; E04B 2001/249; E04B
1/486; E04C 3/07; E04C 2003/046; E04C
3/04; E04C 3/06; E04C 2/34; E04C
2003/0486; E04C 2003/0491; E04H
12/2269; E04H 12/24; E04H 15/34; E04H
17/1421; E04H 12/00; B60K 25/08;
C21D 1/42; C21D 1/667; C21D 9/0062;
C21D 9/40; F16D 11/14; F16D 15/00;
F16D 1/101; F16D 1/12; H05B 6/101;

(Continued)

Primary Examiner — Samantha Q Lawrence
(74) *Attorney, Agent, or Firm* — Emerson Thomson
Bennett; Daniel A. Thomson

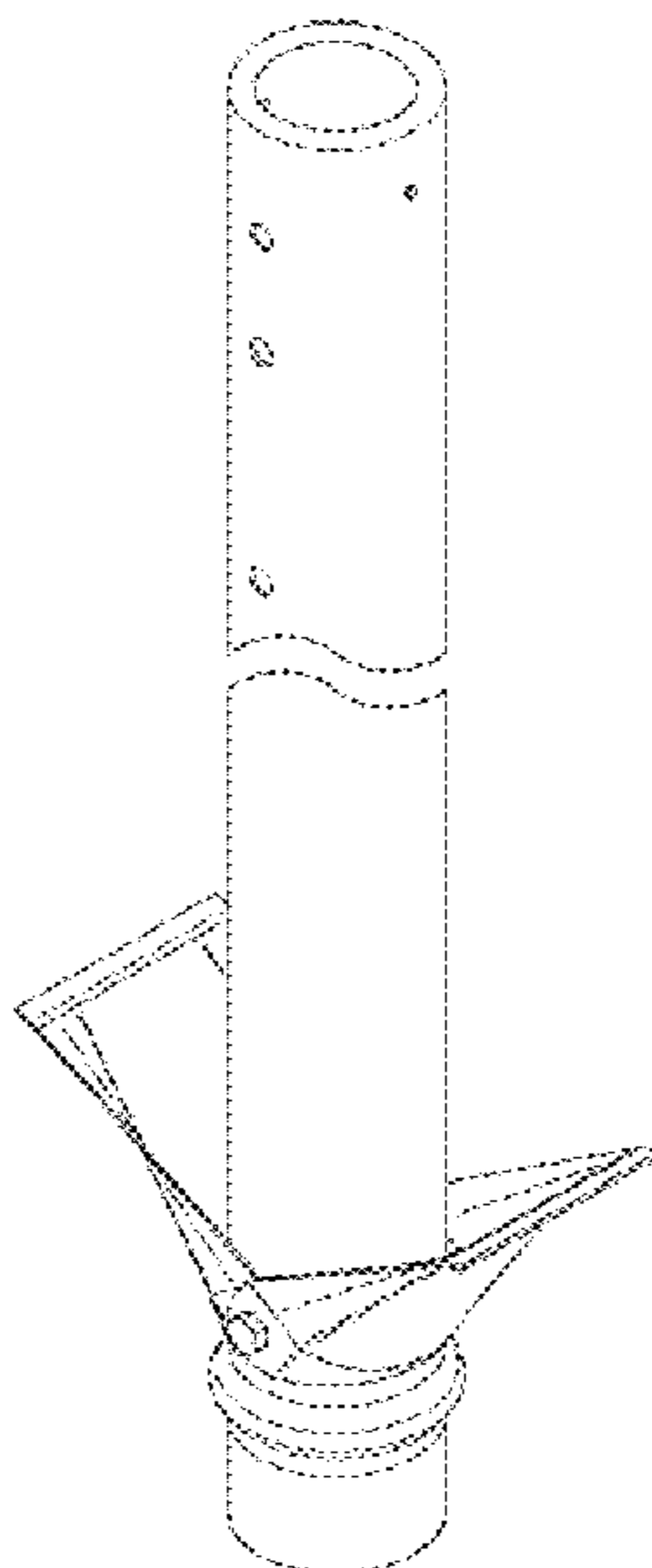
(57) **CLAIM**

The ornamental design for a post, as shown and described.

DESCRIPTION

FIG. 1 is a perspective view;
FIG. 2 is a back view;
FIG. 3 is a front view;
FIG. 4 is a left side view;
FIG. 5 is a right side view;
FIG. 6 is a top view;
FIG. 7 is a bottom view; and,
FIG. 8 is a perspective view with closed blades.
The post is shown with a symbolic break in its length. The appearance of any portion of the article between the break lines forms no part of the claimed design.

1 Claim, 8 Drawing Sheets



(56)

References Cited

U.S. PATENT DOCUMENTS

D912,849 S * 3/2021 Muller D25/126
D925,776 S * 7/2021 Wendt D25/119

* cited by examiner

FIG. 1

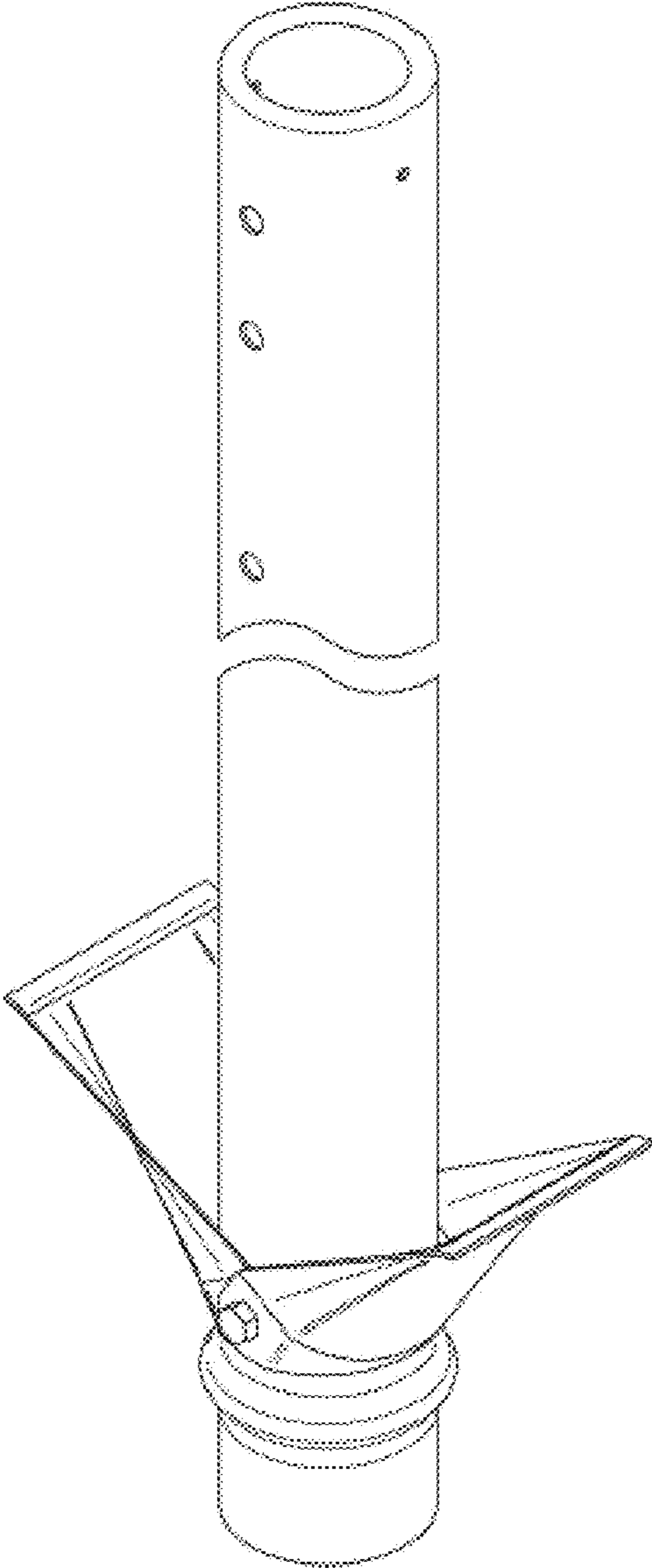


FIG. 2

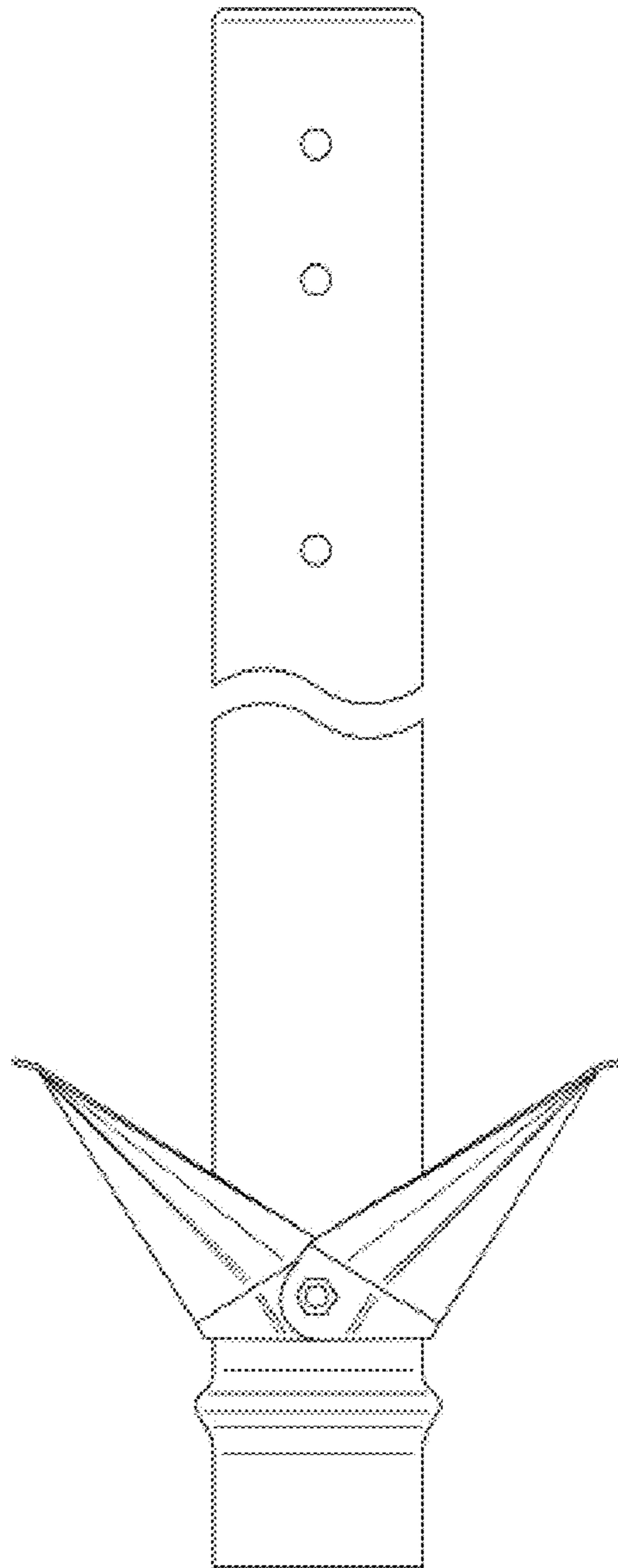


FIG. 3

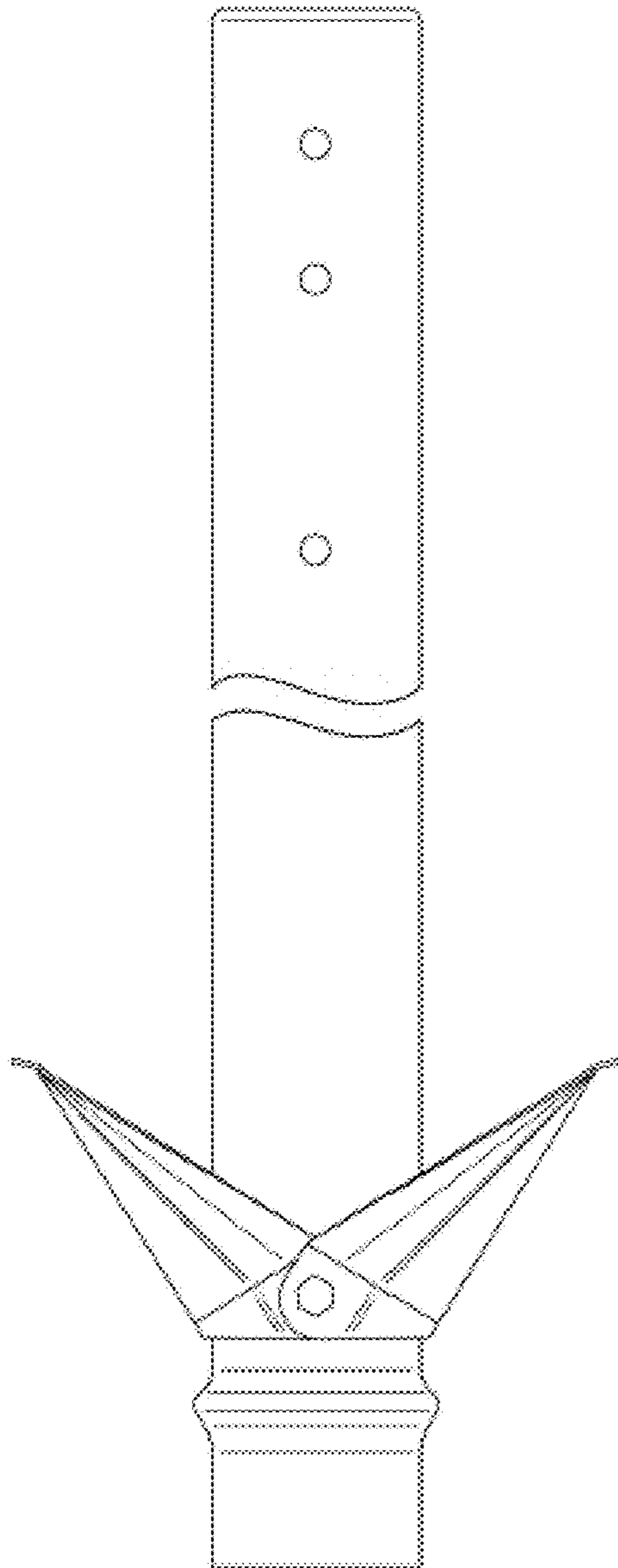


FIG. 4

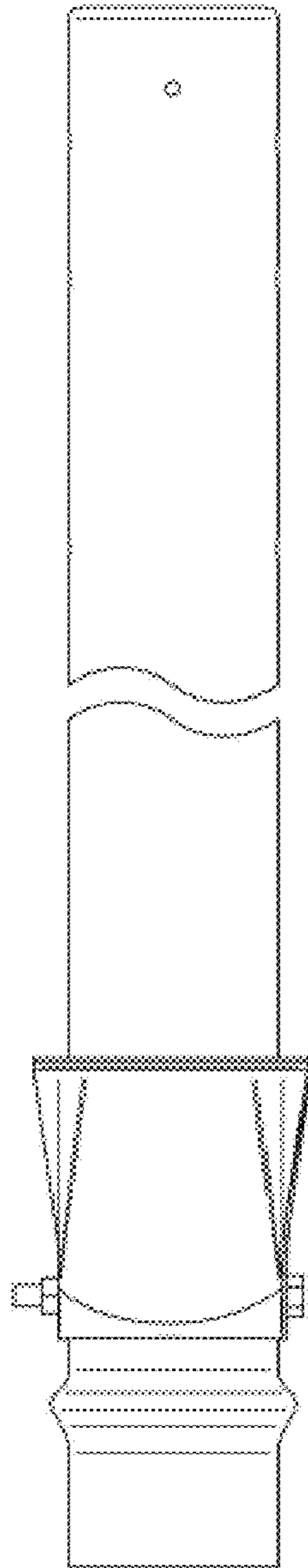


FIG. 5

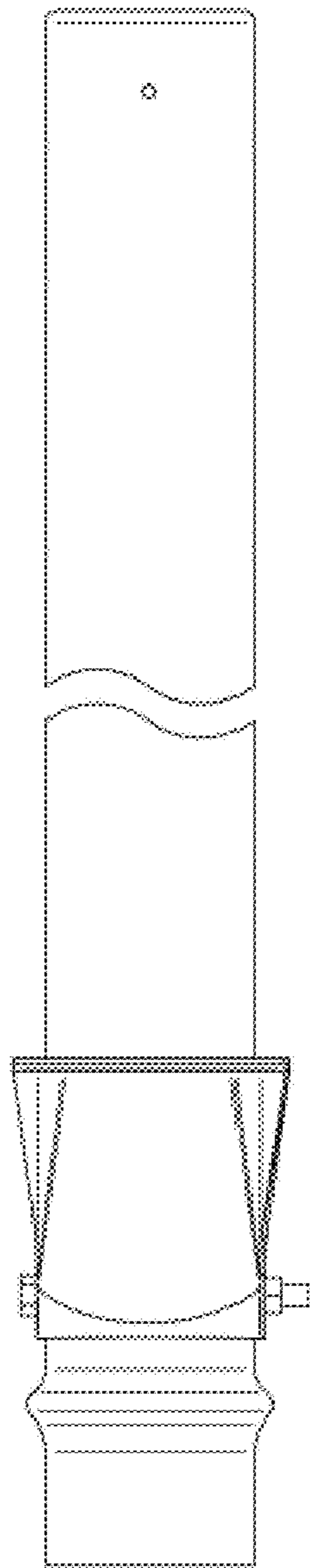
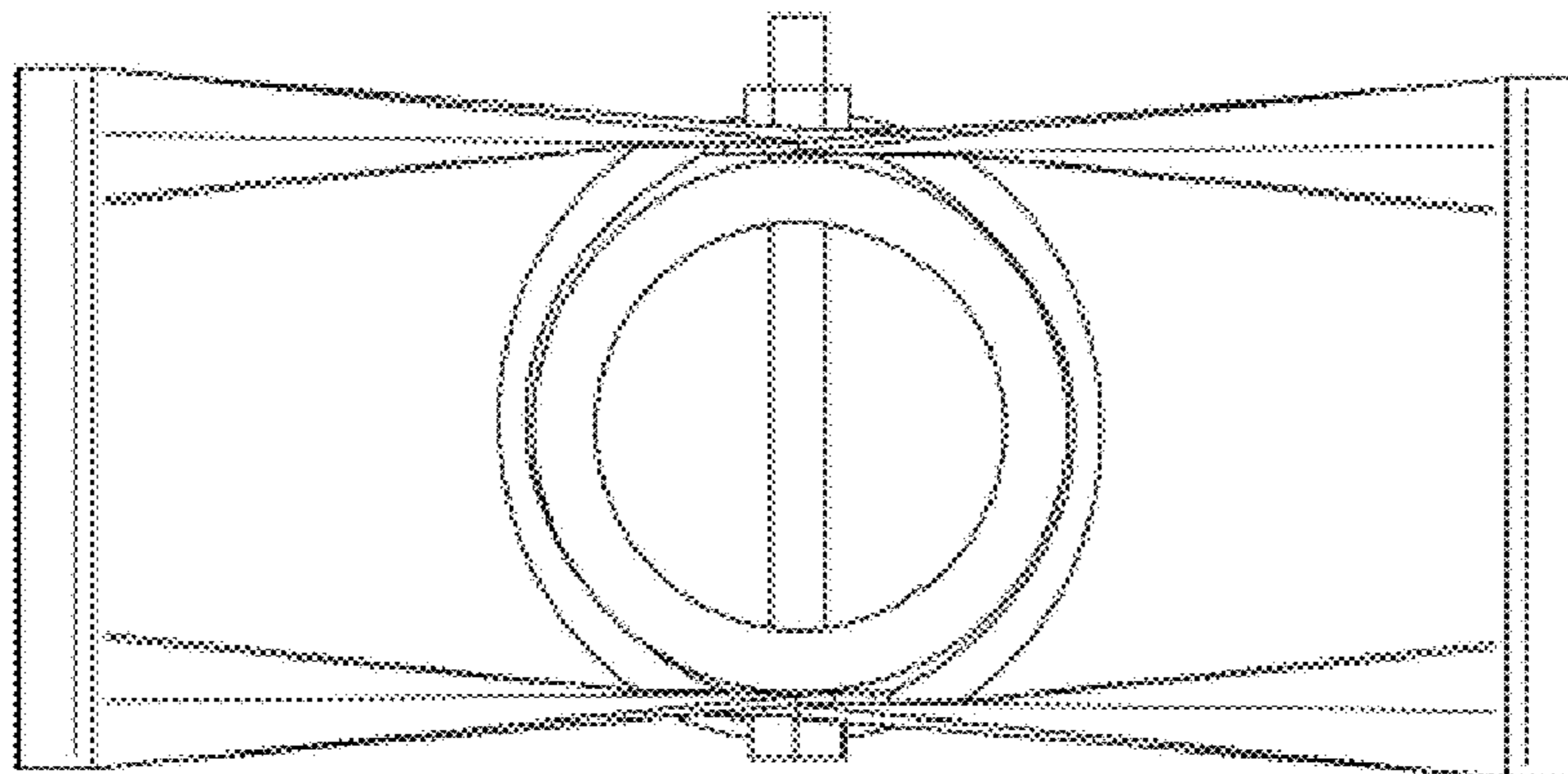


FIG. 6



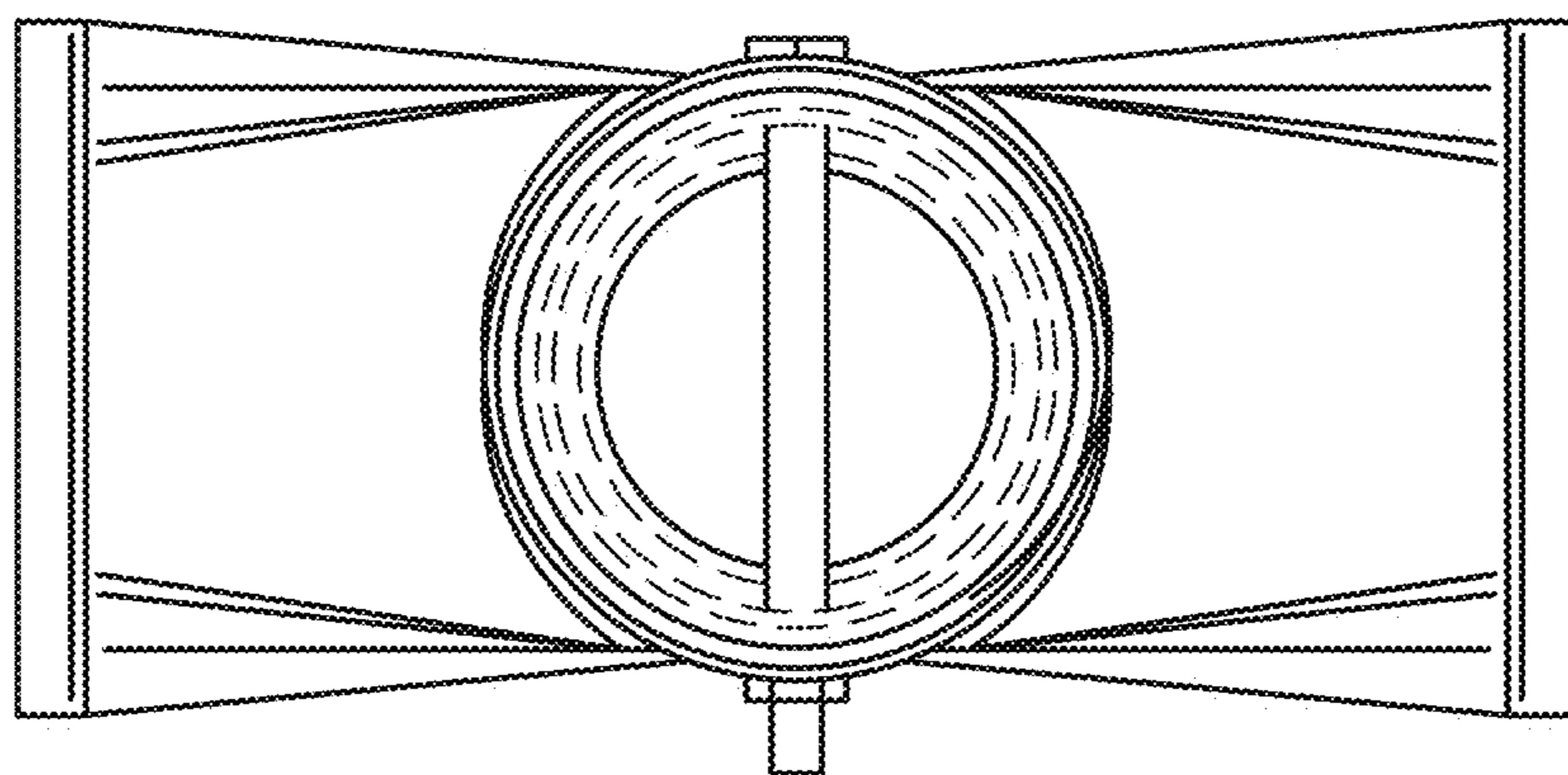


FIG. 7

FIG. 8

