



US00D942049S

(12) **United States Design Patent**
Iverson

(10) **Patent No.:** **US D942,049 S**
(45) **Date of Patent:** **** Jan. 25, 2022**

(54) **L-SHAPED COMPOSITE REINFORCED WOOD STUD FOR BUILDINGS**

FOREIGN PATENT DOCUMENTS

- (71) Applicant: **Brian Iverson**, Ham Lake, MN (US)
- (72) Inventor: **Brian Iverson**, Ham Lake, MN (US)
- (73) Assignee: **Roosevelt Energy, Inc.**, Ham Lake, MN (US)

EP 1705305 9/2006
 RU 86608 U1 9/2009
 (Continued)

(**) Term: **15 Years**

OTHER PUBLICATIONS

(21) Appl. No.: **29/713,235**

Extended European Search Report for Application No. 16824858.1, dated Apr. 1, 2019, 9 pages.
 (Continued)

(22) Filed: **Nov. 14, 2019**

Primary Examiner — Samantha Q Lawrence
 (74) *Attorney, Agent, or Firm* — Taft Stettinius & Hollister LLP; Gerald E. Helget

(51) **LOC (13) Cl.** **25-01**

(52) **U.S. Cl.**
USPC **D25/126**

(58) **Field of Classification Search**
 USPC D25/119, 125, 126, 127, 128, 129, 130, D25/131, 132, 133, 134, 135, 136, 61, D25/164; D8/45, 71, 394–396, 349, 354, D8/355; D15/135, 136, 138
 CPC E04B 9/068; E04B 1/19; E04B 1/1903; E04B 1/24; E04B 1/2403; E04B 1/40; E04B 2001/2415; E04B 2001/2421; E04B 2001/2451; E04B 1/161; E04B 2002/8694; E04B 2/845; E04B 1/26; E04B 2001/2472; E04B 2001/249; E04B 1/486; E04C 3/07; E04C 2003/046; E04C 3/04; E04C 3/06; E04C 2/34; E04C 2003/0486; E04C 2003/0491; E04H 12/2269; E04H 12/24; E04H 15/34; E04H 17/1421; E04H 12/00;

(Continued)

(56) **References Cited**

U.S. PATENT DOCUMENTS

- 1,219,840 A * 3/1917 Monrath E04G 11/22 425/213
- 1,911,018 A * 5/1933 Goeltz E04C 5/06 52/648.1

(Continued)

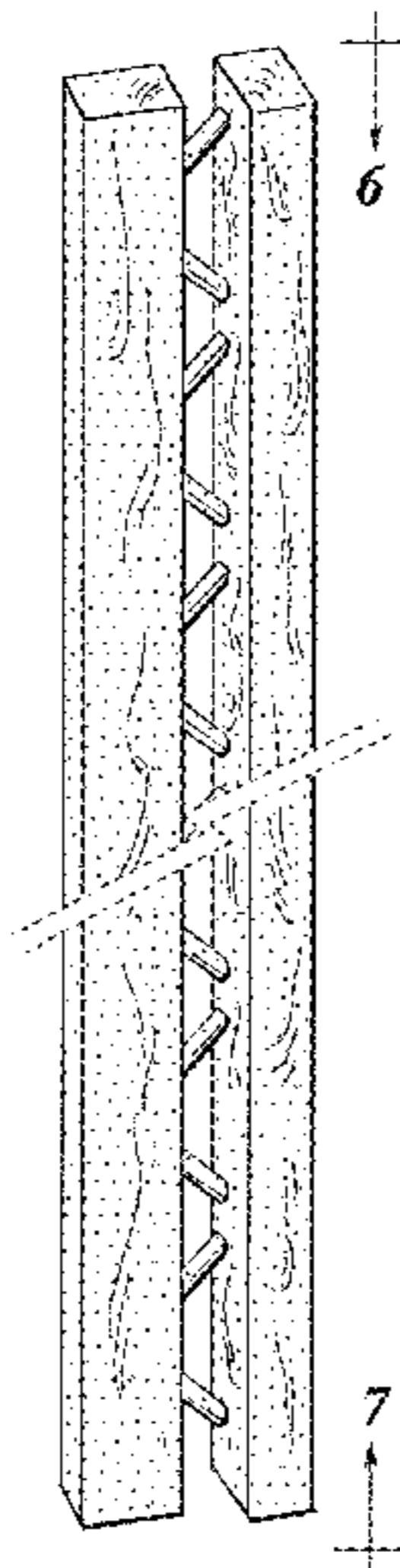
(57) **CLAIM**

The ornamental design for an L-shaped composite reinforced wood stud for buildings, as shown and described.

DESCRIPTION

FIG. 1 is a front perspective view showing my new design for an L-shaped composite reinforced wood stud for buildings;
 FIG. 2 is a right side elevational view;
 FIG. 3 is a front elevational view;
 FIG. 4 is a left side elevational view;
 FIG. 5 is a rear elevational view;
 FIG. 6 is a top plan view;
 FIG. 7 is a bottom plan view;
 FIG. 8 is a left side elevation view broken away similar to FIG. 4; and,
 FIG. 9 is a cross sectional view taken along lines 9-9 of FIG. 8.
 The L-shaped composite reinforced wood stud for buildings is shown with a symbolic break in its length. The appearance of any portion of the article between the break lines forms no part of the claimed design.

1 Claim, 2 Drawing Sheets



(58) **Field of Classification Search**

CPC B60K 25/08; C21D 1/42; C21D 1/667;
 C21D 9/0062; C21D 9/40; F16D 11/14;
 F16D 15/00; F16D 1/101; F16D 1/12;
 H05B 6/101; H05B 6/109; H05B 6/36;
 H05B 6/42; H05B 6/44; Y02P 10/25;
 H01Q 1/42

See application file for complete search history.

(56) **References Cited**

U.S. PATENT DOCUMENTS

3,559,355	A *	2/1971	Day	E04B 1/161 52/251
4,224,774	A	9/1980	Petersen		
4,329,827	A	5/1982	Thorn		
4,578,909	A	4/1986	Henley et al.		
4,578,914	A	4/1986	Staples		
4,671,032	A	6/1987	Reynolds		
4,720,948	A	1/1988	Henley et al.		
4,852,310	A	8/1989	Henley et al.		
4,852,322	A	8/1989	McDermid		
4,937,122	A	6/1990	Talbert		
5,209,036	A	5/1993	Cancelliar		
5,609,006	A	3/1997	Boyer		
5,617,693	A	4/1997	Hefner		
5,720,144	A	2/1998	Knudson et al.		
6,052,953	A *	4/2000	Jewell	E04B 1/24 52/639
6,073,413	A *	6/2000	Tongiatama	E04B 1/26 52/693
6,125,608	A	10/2000	Charlson		
6,314,696	B2 *	11/2001	Fust, III	E04B 2/8652 52/309.8
6,378,260	B1 *	4/2002	Williamson	E04B 2/8617 52/309.12
7,185,471	B2 *	3/2007	Schmerber	E04C 3/17 156/331.7
7,574,837	B2	8/2009	Hagen, Jr. et al.		
7,743,578	B2	6/2010	Edmondson		
7,866,112	B2	1/2011	Edmondson		
8,424,266	B2	4/2013	Edmondson		
8,516,778	B1	8/2013	Wilkens		

8,793,948	B2	8/2014	Beattie		
8,820,034	B1	9/2014	Watts et al.		
9,103,113	B2	8/2015	Lockhart		
9,604,428	B2	3/2017	Walker		
9,677,264	B2	6/2017	Iverson		
D796,063	S *	8/2017	Dettbarn	D25/61
9,783,985	B2	10/2017	Iverson		
10,253,499	B2 *	4/2019	Hercus	E04C 3/16
D872,875	S *	1/2020	Dettbarn	D25/61
10,584,475	B1 *	3/2020	Idd	E04B 1/165
10,731,332	B1 *	8/2020	Iverson	E04B 2/7412
D895,157	S *	9/2020	Oldroyd	D25/128
D896,401	S *	9/2020	Oldroyd	D25/128
2005/0050847	A1	3/2005	Lott		
2005/0183367	A1	8/2005	Lembo		
2006/0236652	A1	10/2006	Kismarton		
2006/0254197	A1	11/2006	Tiberi et al.		
2007/0130866	A1	6/2007	Lott		
2007/0227095	A1	10/2007	Hubbe		
2007/0283661	A1	12/2007	Daniels		
2008/0196349	A1 *	8/2008	Gonzalez	E04B 2/845 52/653.1
2008/0245030	A1	10/2008	Sieber		
2010/0037542	A1	2/2010	Tiberi et al.		
2010/0236172	A1	9/2010	Wirth		
2010/0300037	A1	12/2010	Turner et al.		
2011/0107693	A1	5/2011	Haskell		
2011/0239573	A1	10/2011	Lockhart		
2012/0011793	A1	1/2012	Clark et al.		
2016/0289968	A1	10/2016	De Waal		
2016/0356044	A1	12/2016	Thompson		

FOREIGN PATENT DOCUMENTS

WO	2014197972	12/2014
WO	2017011121	1/2017

OTHER PUBLICATIONS

Betzwood Associated PC, "5 Proven Ways to Optimize Framing," <http://www.betzwood.com/2012/08/09/optimize-framing/>, pp. 1-7. International Search Report and Written Opinion of PCT/US2016/037357, dated Sep. 8, 2016.

* cited by examiner

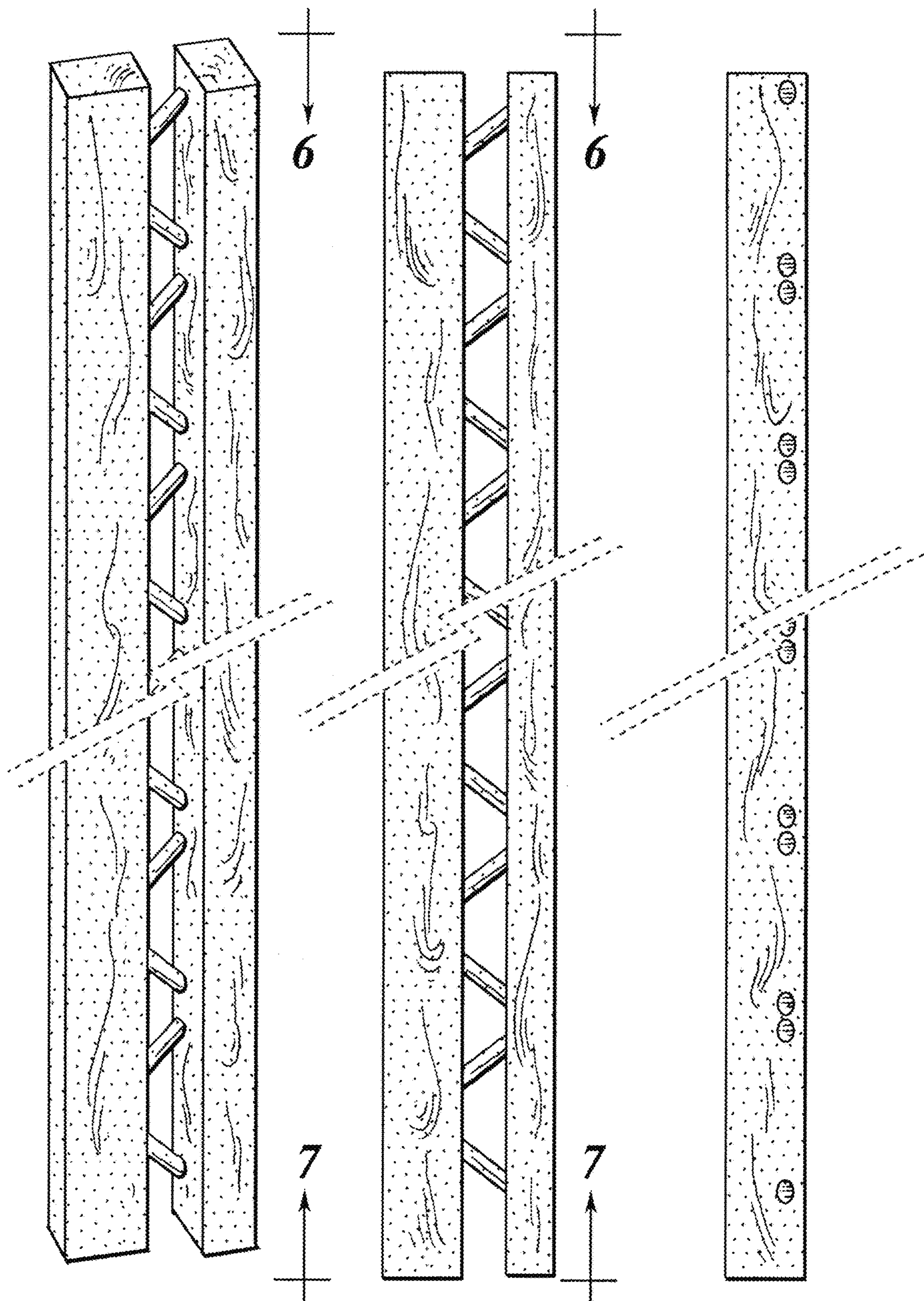


Fig. 1

Fig. 2

Fig. 3

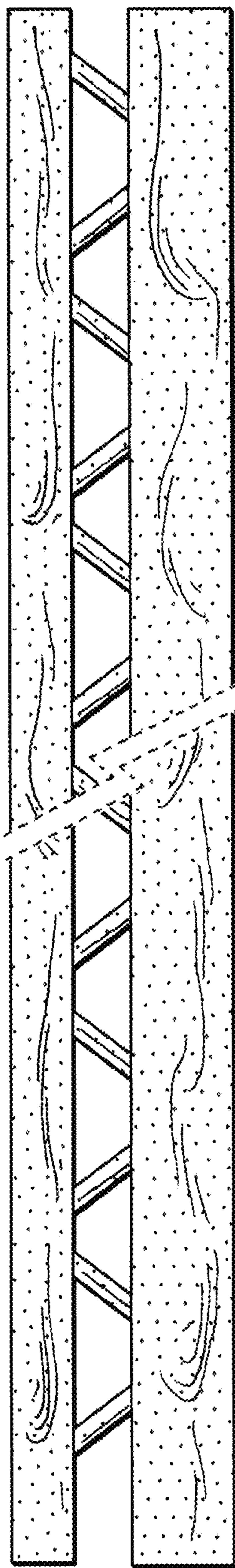


Fig. 4



Fig. 5

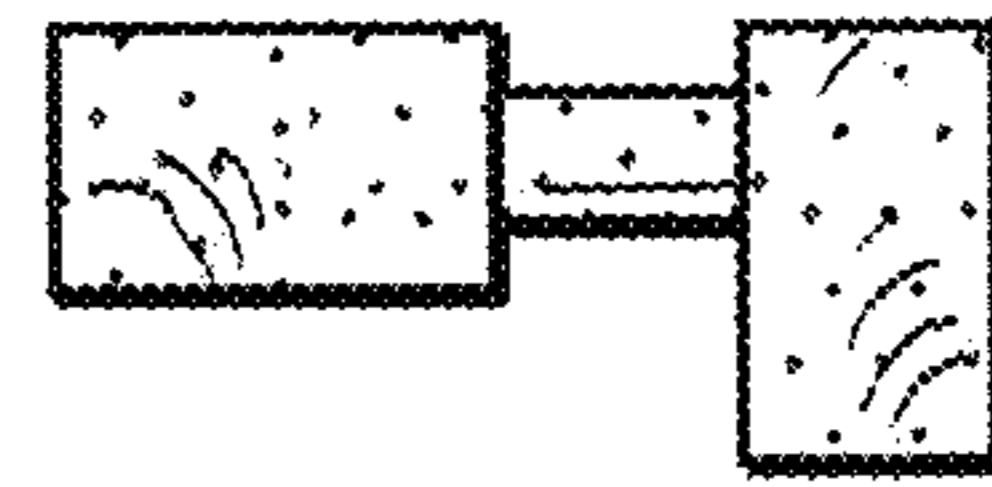


Fig. 6

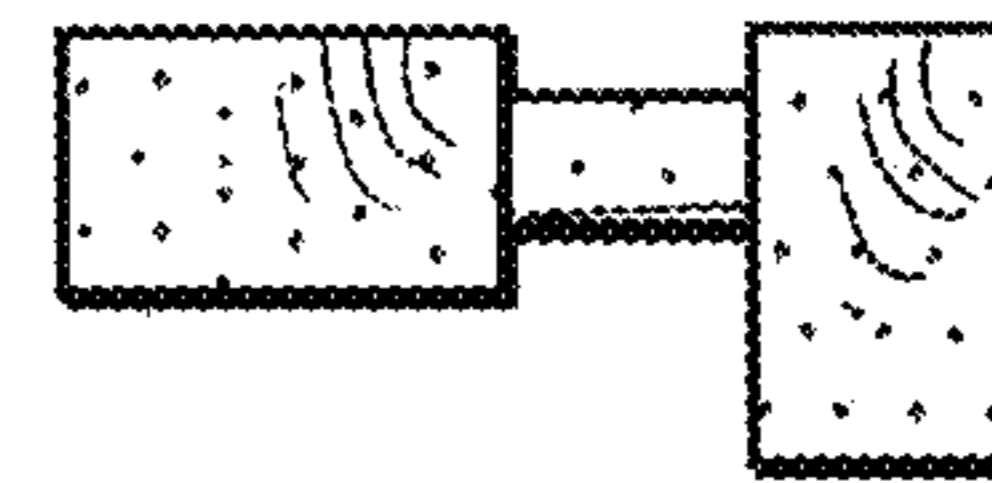


Fig. 7

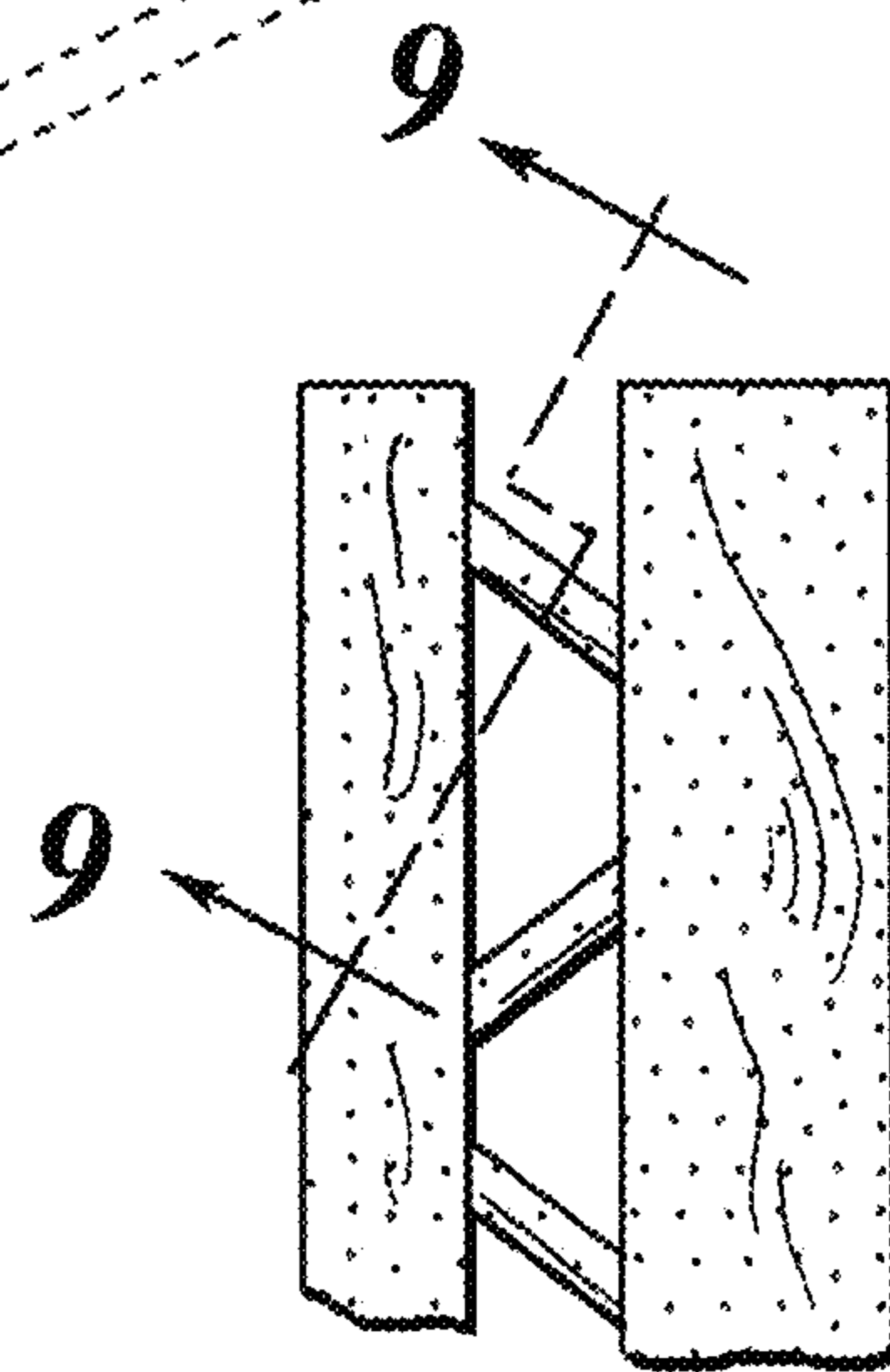


Fig. 8



Fig. 9