



US00D942048S

(12) **United States Design Patent** (10) **Patent No.:** **US D942,048 S**
Schulten et al. (45) **Date of Patent:** **** Jan. 25, 2022**

(54) **RAIL**
(71) Applicant: **CHECKPOINT SYSTEMS, INC.**,
Thorofare, NJ (US)
(72) Inventors: **Ingolf Schulten**, Ottersheim (DE);
Hans Jurgen Fechtmann, Epfenbach
(DE)
(73) Assignee: **CHECKPOINT SYSTEMS, INC.**,
Thorofare, NJ (US)

D690,367 S * 9/2013 Bruegmann D20/43
8,793,913 B1 * 8/2014 Zobel G09F 3/204
40/661.03
D754,543 S * 4/2016 Donadee D9/455
9,697,753 B2 * 7/2017 Johnson G09F 3/204
10,702,078 B1 * 7/2020 Walker G09F 3/208
D899,523 S * 10/2020 Rollins D20/43
D915,516 S * 4/2021 White D20/43
D922,490 S * 6/2021 White D20/43
11,026,524 B2 * 6/2021 Zussman G09F 3/204
D926,886 S * 8/2021 White D20/44

(**) Term: **15 Years**

(21) Appl. No.: **29/715,388**

(22) Filed: **Dec. 2, 2019**

(51) **LOC (13) Cl.** **20-03**

(52) **U.S. Cl.**
USPC **D25/124; D20/44**

(58) **Field of Classification Search**
USPC D20/10, 43, 44; D25/38.1, 119, 120,
D25/124, 125, 131
CPC G09F 3/02; G09F 3/18; G09F 7/08; G09F
7/10; G09F 7/18
See application file for complete search history.

(56) **References Cited**

U.S. PATENT DOCUMENTS

D150,466 S * 8/1948 Schuler D20/44
D319,886 S * 9/1991 Simpson D25/119
6,092,320 A * 7/2000 Bringuet G09F 7/10
40/618
D512,104 S * 11/2005 Lowry D20/44
D513,041 S * 12/2005 Lowry D20/44
7,325,348 B2 * 2/2008 Mueller G09F 3/204
40/649
D580,992 S * 11/2008 Garfinkle D20/43
D661,746 S * 6/2012 Baldursson D20/44
D683,797 S * 6/2013 Sjodin D20/44

FOREIGN PATENT DOCUMENTS

EM 002625517-0008 * 5/2015
EM 002625517-0009 * 5/2015
GB 9007082185-0007 * 10/2019

OTHER PUBLICATIONS

Extruindustrie [https://www.extruindustrie.cz/files/Extru/extruindustrie_](https://www.extruindustrie.cz/files/Extru/extruindustrie_catalog.pdf)
catalog.pdf Mar. 14, 2017 (Year: 2017).*

* cited by examiner

Primary Examiner — Leanne Was-Englehart
(74) *Attorney, Agent, or Firm* — McDonald Hopkins LLC

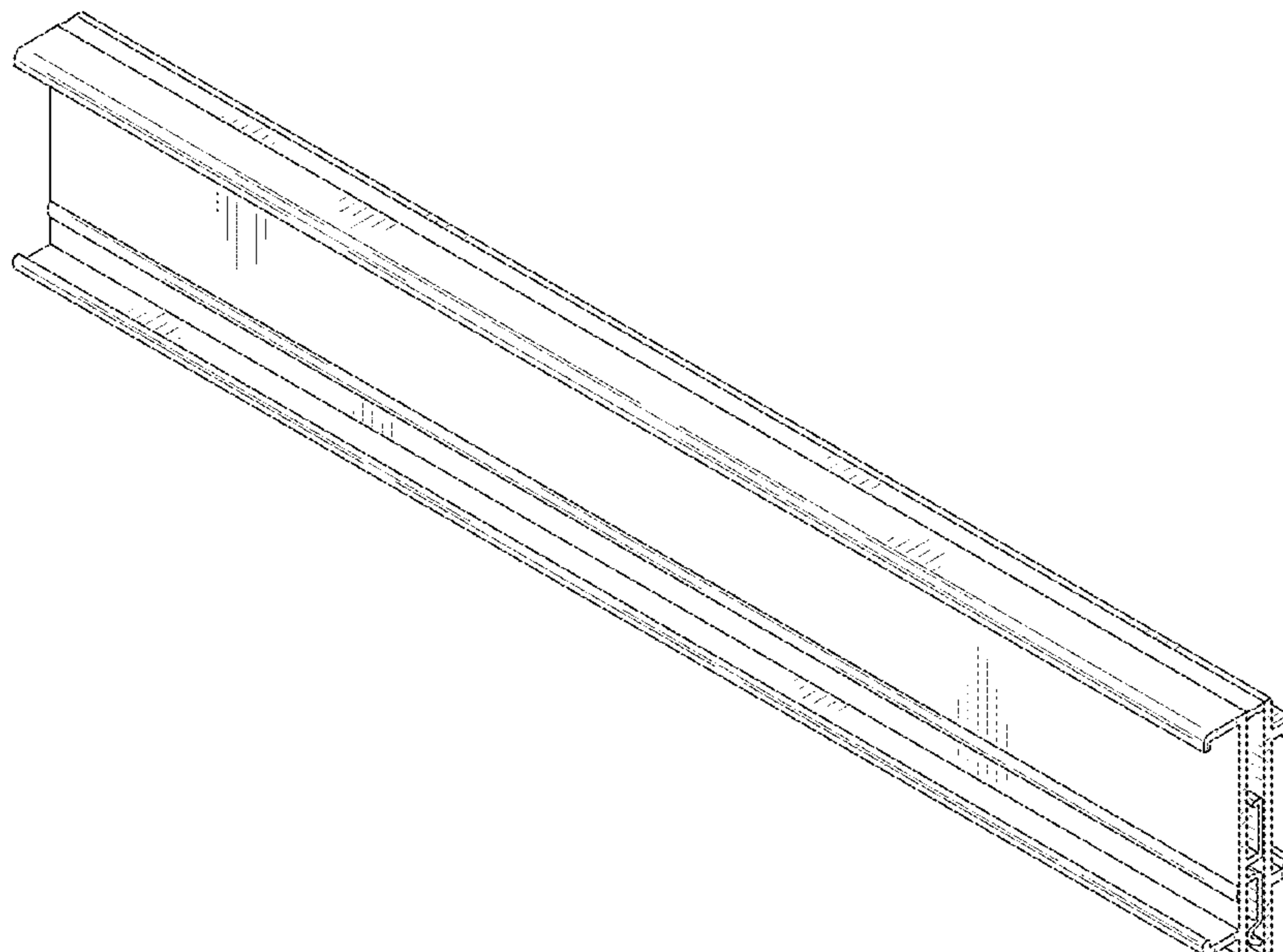
(57) **CLAIM**

The ornamental design for a rail, as shown and described.

DESCRIPTION

FIG. 1 is a perspective view of a rail showing our new design;
FIG. 2 is a rear end view thereof;
FIG. 3 is a front end view thereof;
FIG. 4 is a right side view thereof;
FIG. 5 is a left side view thereof;
FIG. 6 is a top view thereof; and,
FIG. 7 is a bottom view thereof.

1 Claim, 3 Drawing Sheets



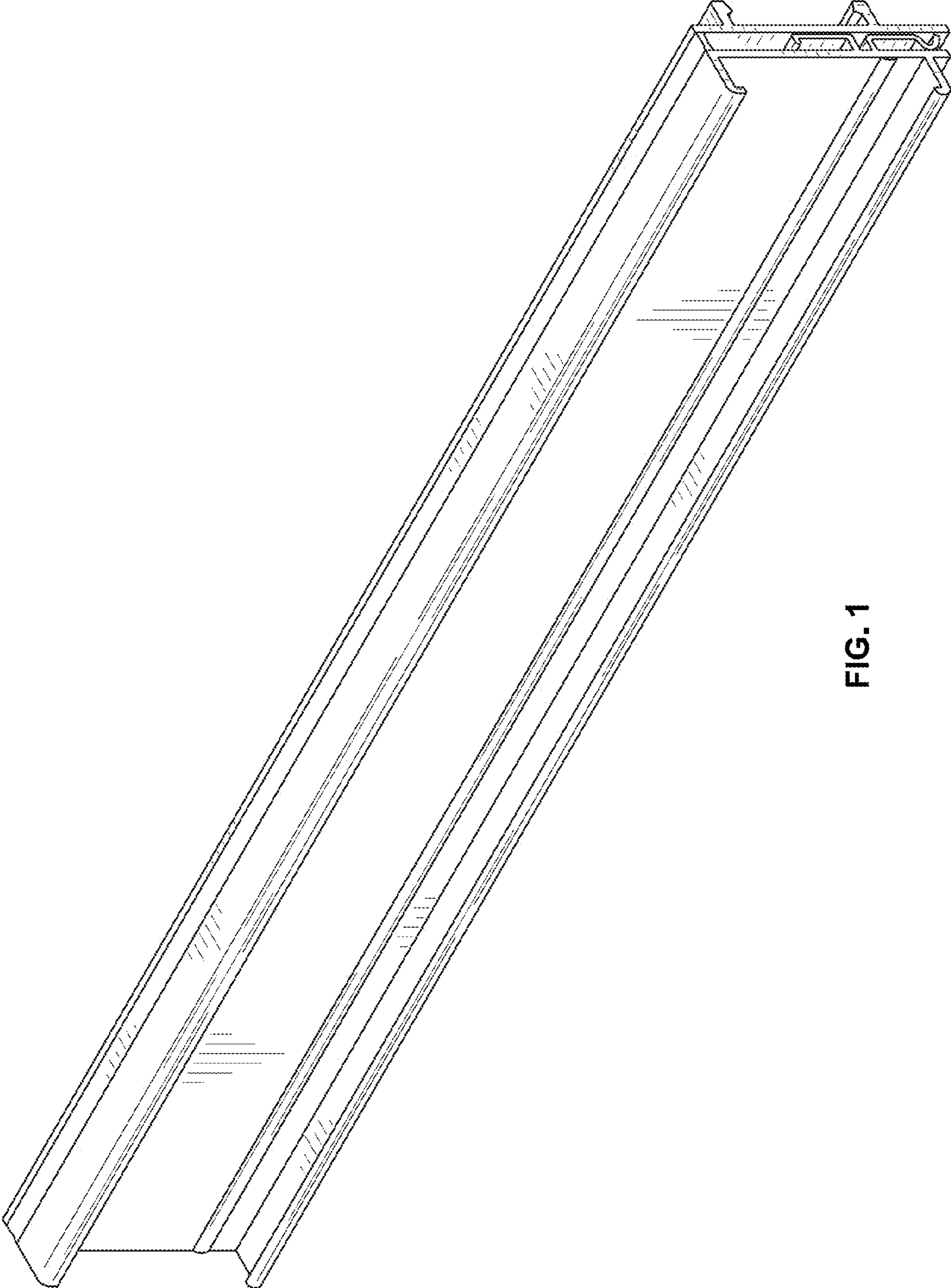


FIG. 1

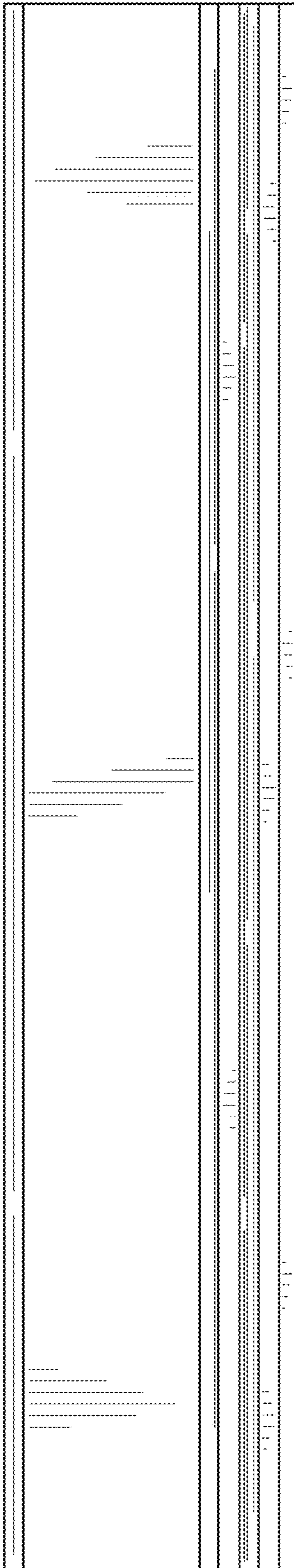


FIG. 2

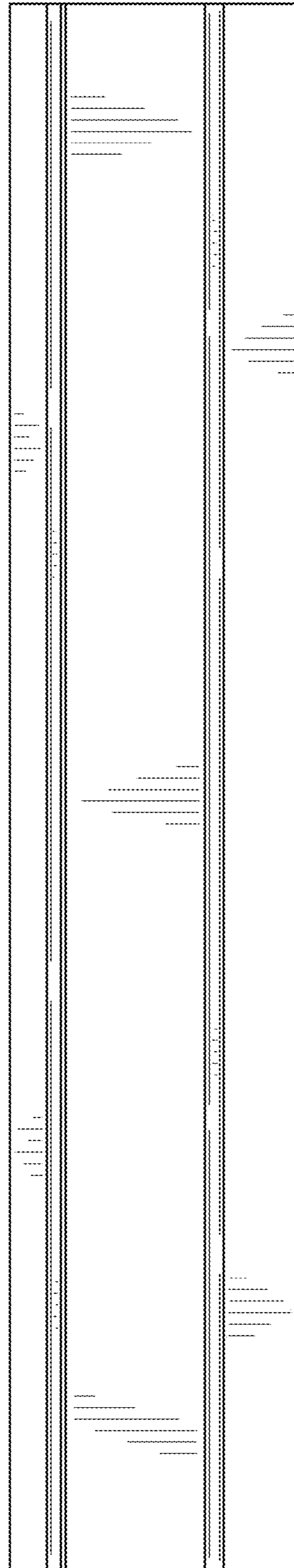


FIG. 3

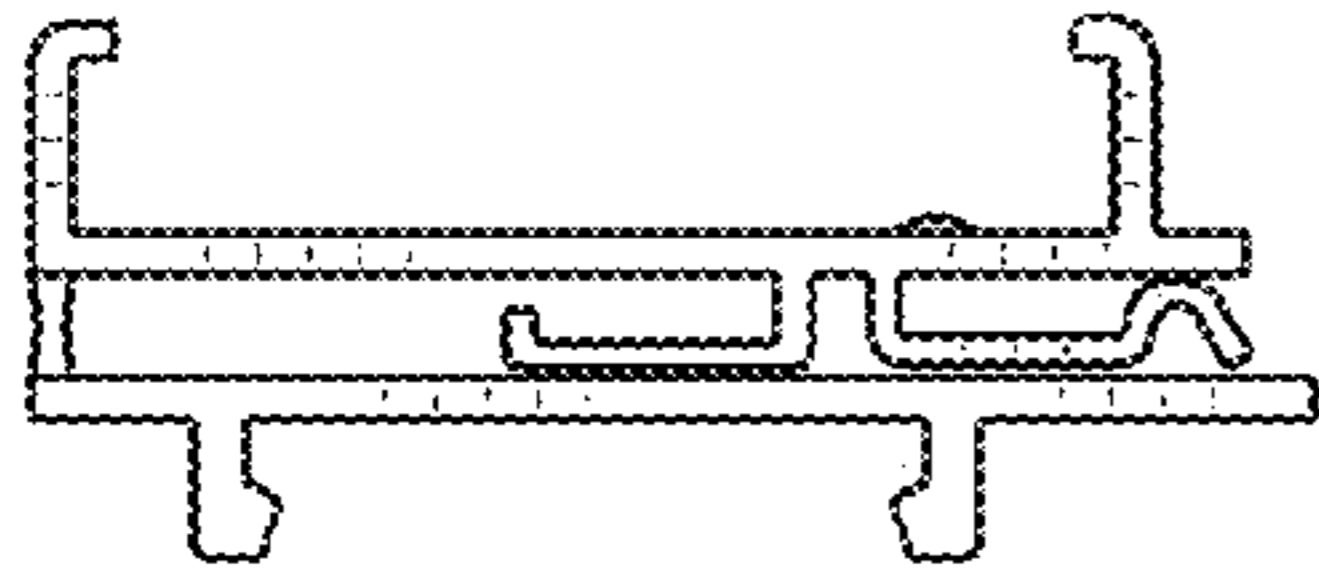


FIG. 4

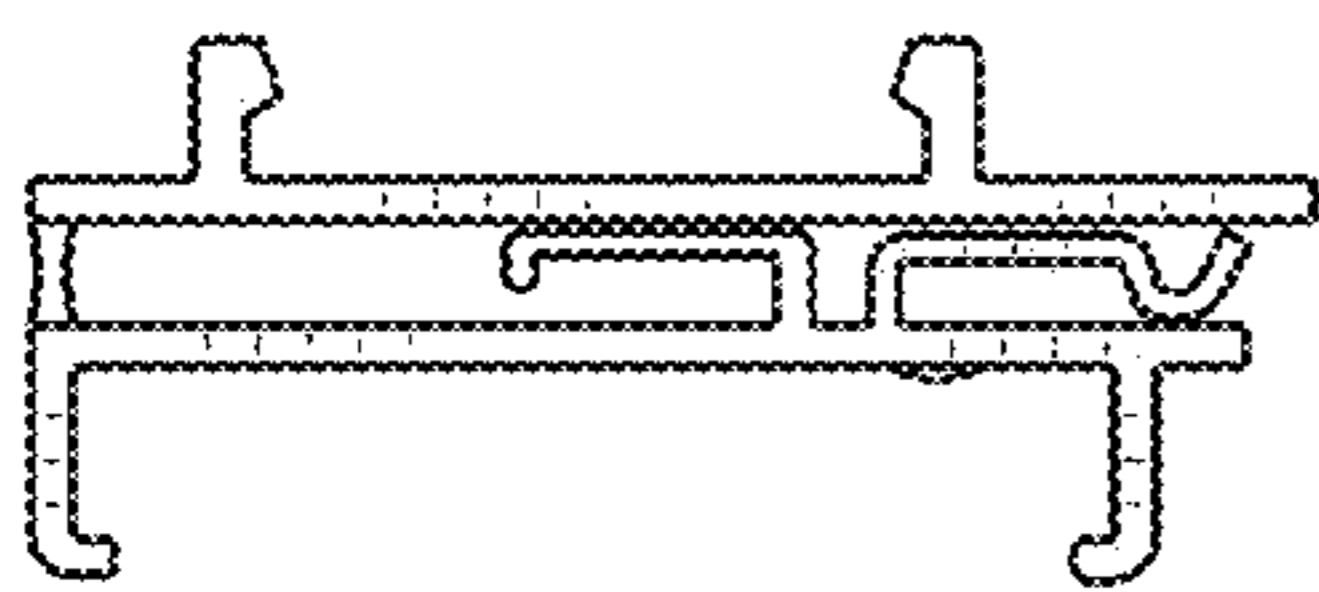


FIG. 5

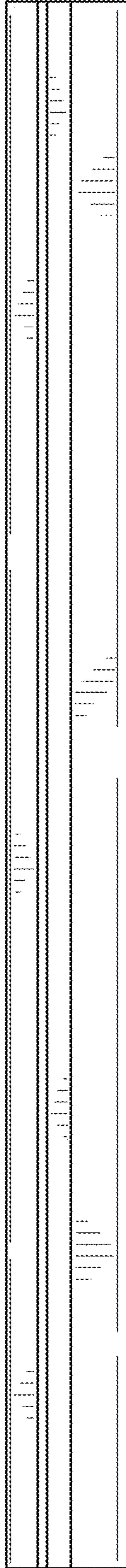


FIG. 6

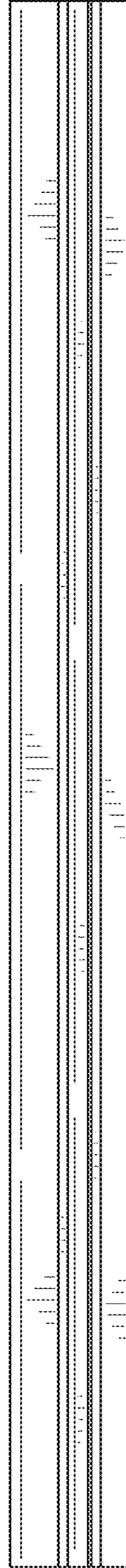


FIG. 7