

US00D942046S

(12) **United States Design Patent**
Corzo

(10) **Patent No.:** **US D942,046 S**

(45) **Date of Patent:** **** Jan. 25, 2022**

(54) **GLAZING BAR**

(71) Applicant: **Perfiletto Aluminum de México SA de CV**, San Luis Potosi (MX)

(72) Inventor: **Jesus Ricardo Torres Corzo**, San Luis Potosi (MX)

(**) Term: **15 Years**

(21) Appl. No.: **29/738,649**

(22) Filed: **Jun. 18, 2020**

(51) **LOC (13) Cl.** **25-01**

(52) **U.S. Cl.**
USPC **D25/121**

(58) **Field of Classification Search**
USPC D25/119-125; D26/138
CPC E04D 2003/0893; E04D 2003/0806; E04D
2003/0843; E04F 19/022; E04F 19/061;
E04F 19/062

See application file for complete search history.

(56) **References Cited**

U.S. PATENT DOCUMENTS

D598,138 S * 8/2009 Bergmann D25/121
D598,139 S * 8/2009 Bergmann D25/122

D822,852 S * 7/2018 Jackson D25/119
D824,047 S * 7/2018 Schuit D25/125
D827,157 S * 8/2018 Schuit D25/125
D909,618 S * 2/2021 Zhao D25/121

* cited by examiner

Primary Examiner — Gino Colan

(74) *Attorney, Agent, or Firm* — Dunlap Codding, P.C.

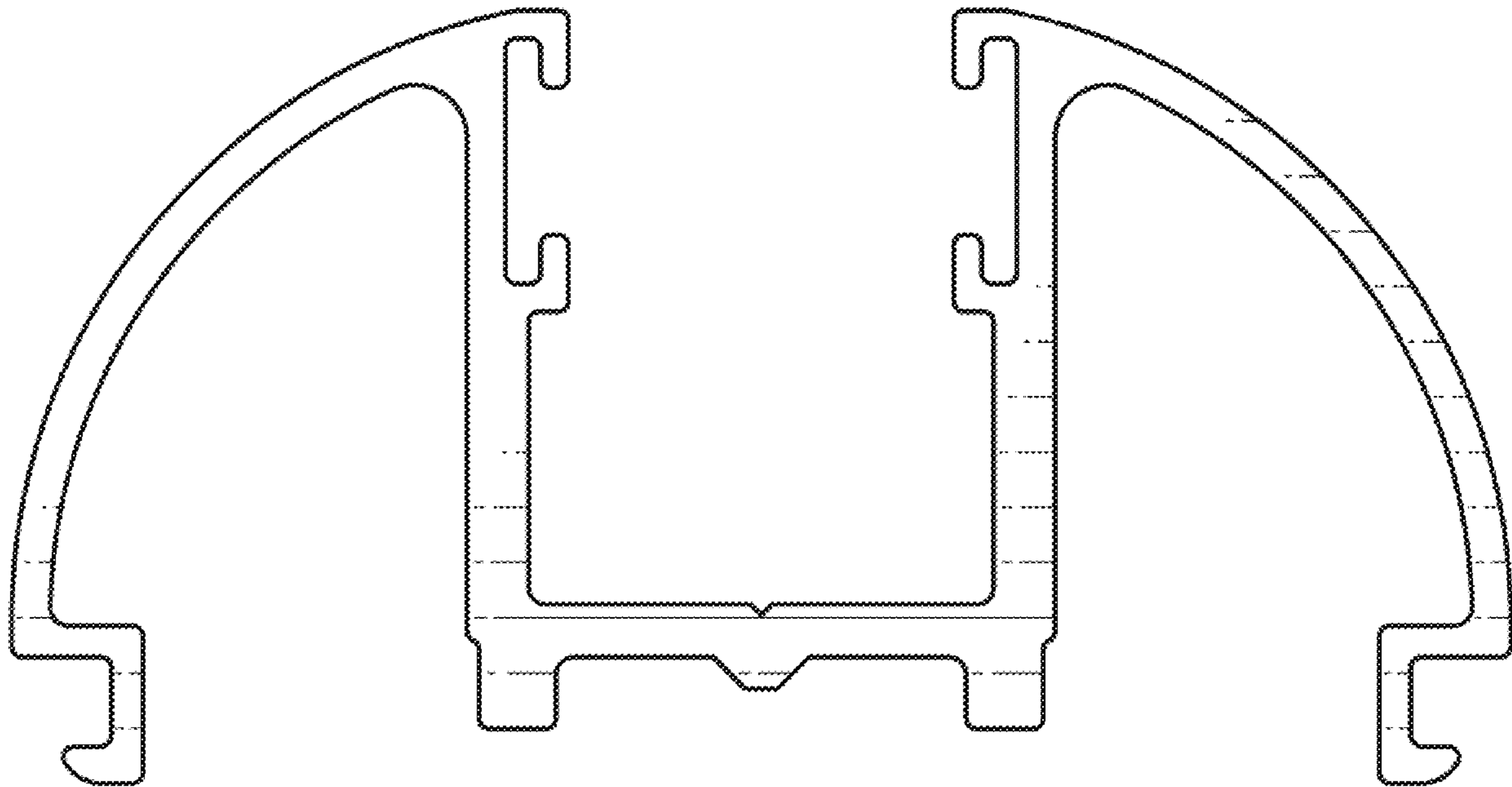
(57) **CLAIM**

The ornamental design for a glazing bar, as shown and described.

DESCRIPTION

FIG. 1 is a front elevation view of a glazing bar.
FIG. 2 is a rear elevation view thereof.
FIG. 3 is a right side elevation view thereof.
FIG. 4 is a left side elevation view thereof.
FIG. 5 is a top plan view thereof.
FIG. 6 is a bottom plan view thereof; and,
FIG. 7 is a perspective view thereof.

1 Claim, 4 Drawing Sheets



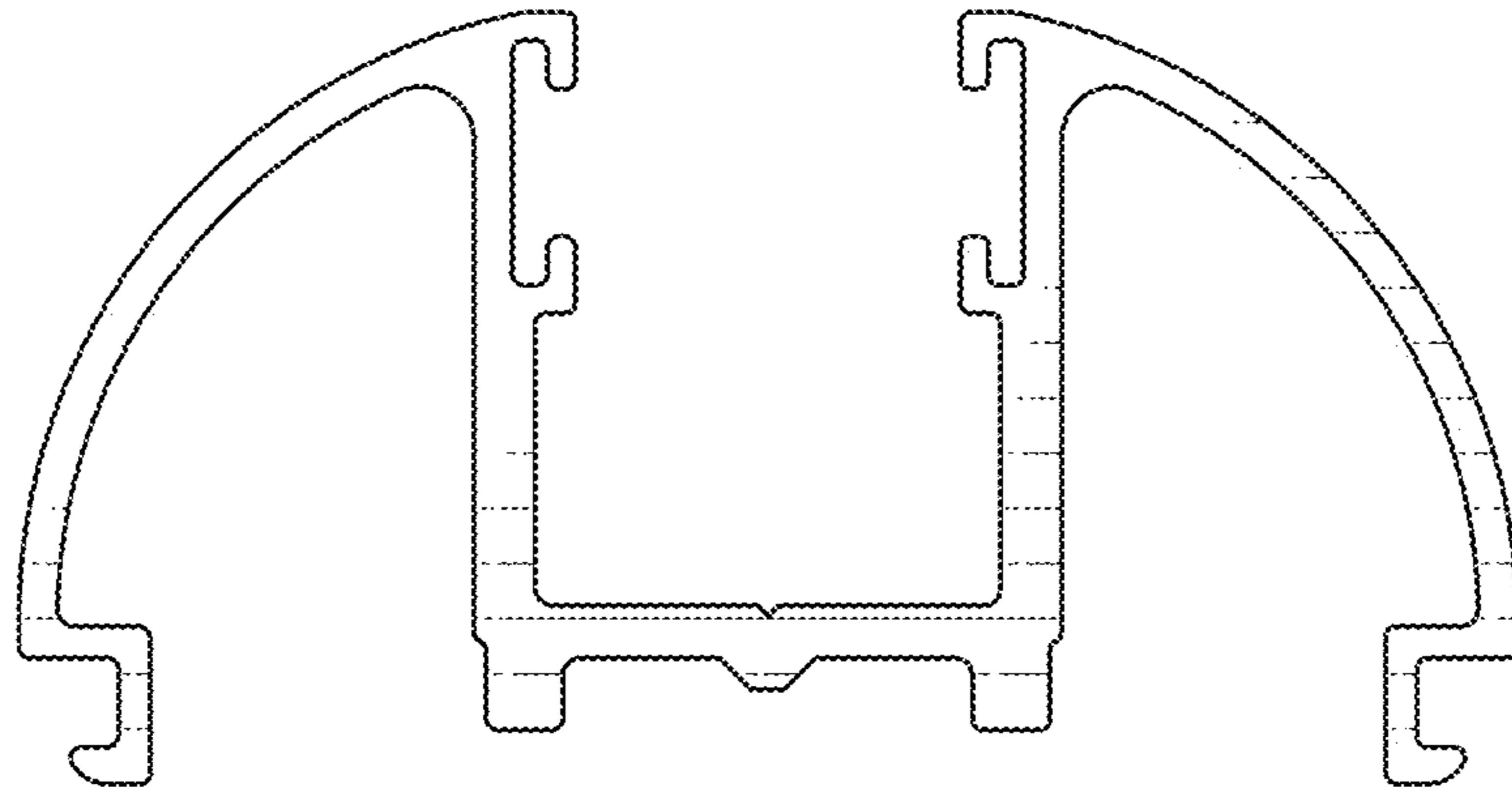


FIG. 1

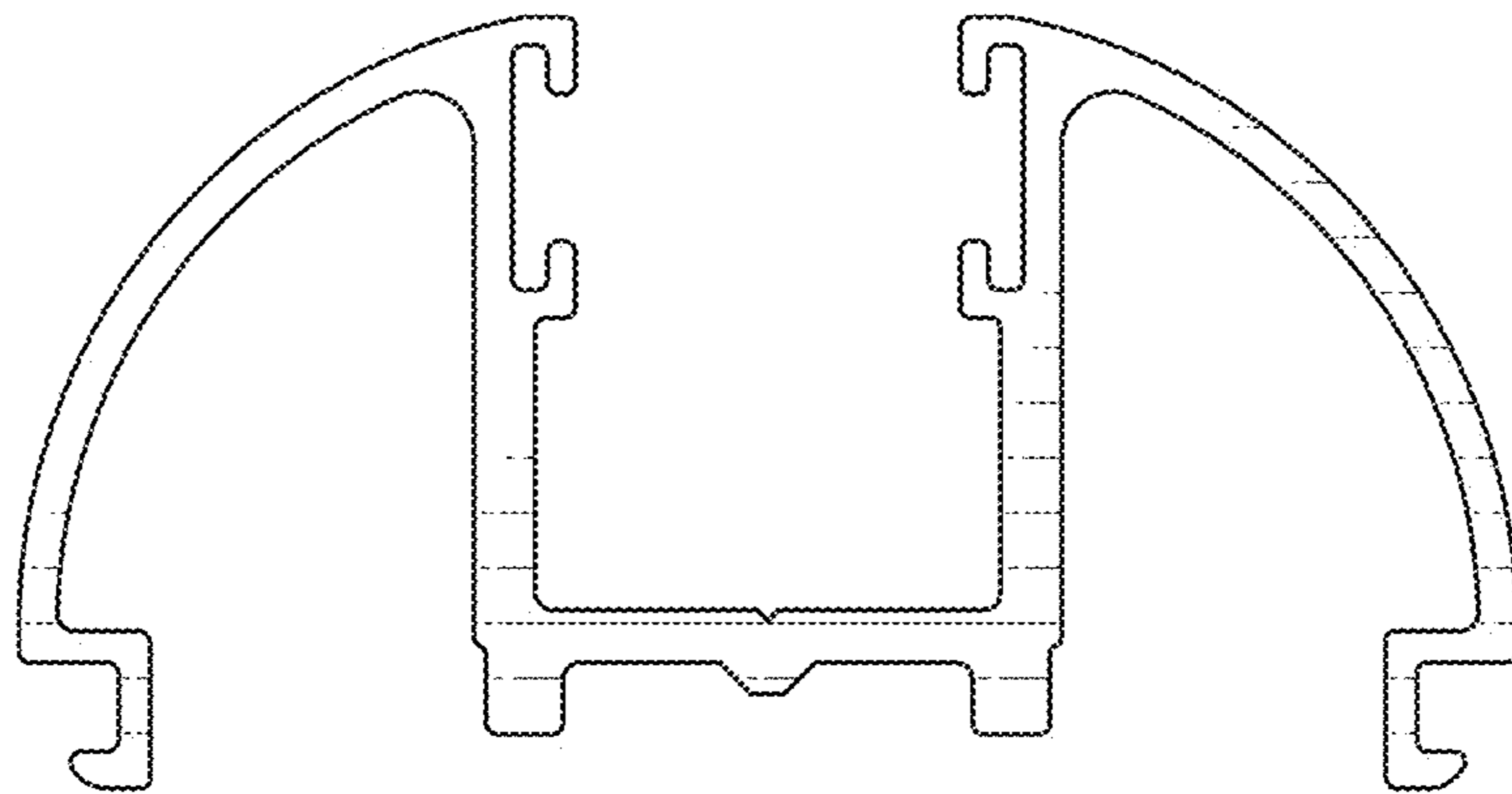


FIG. 2

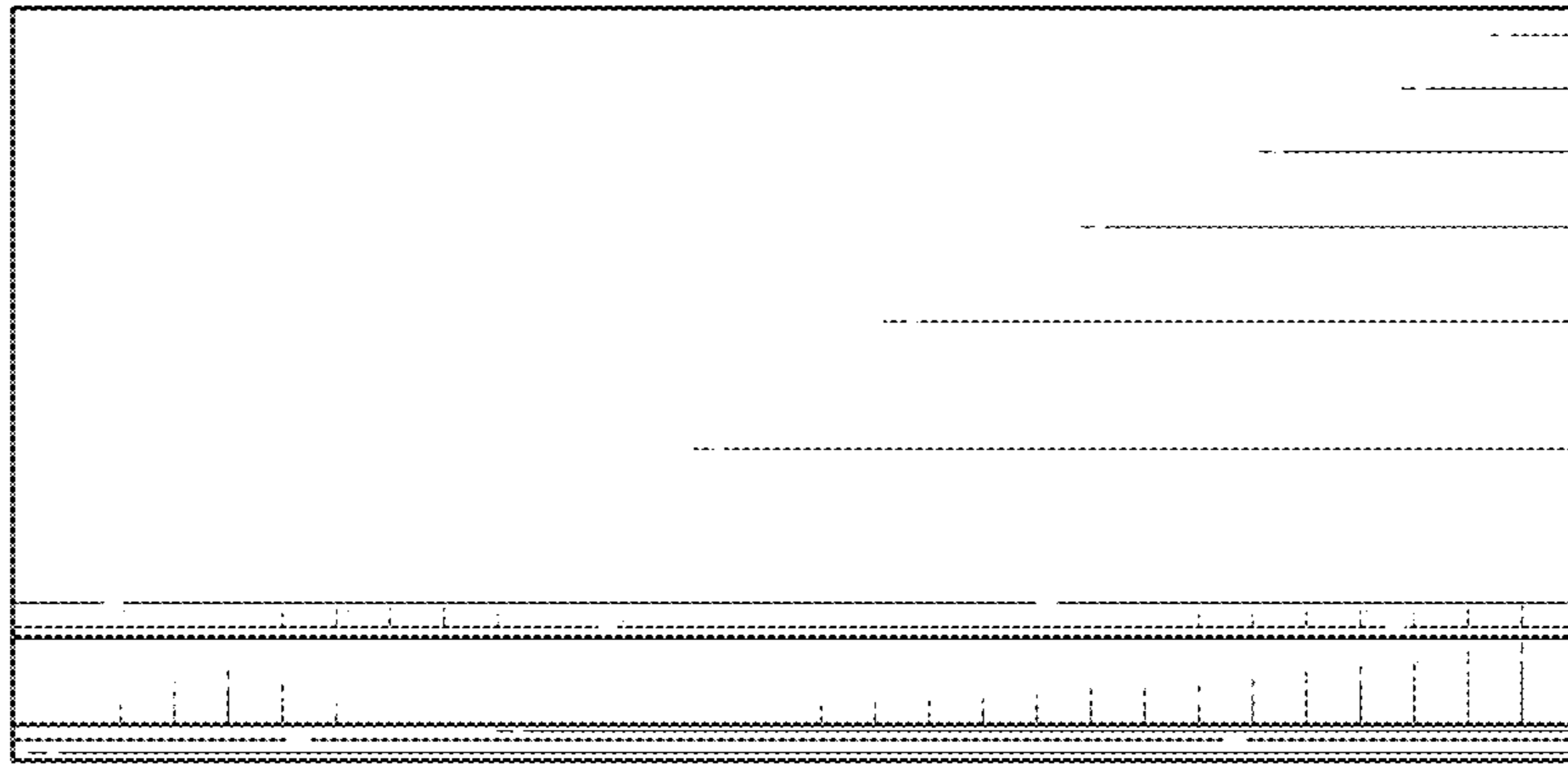


FIG. 3

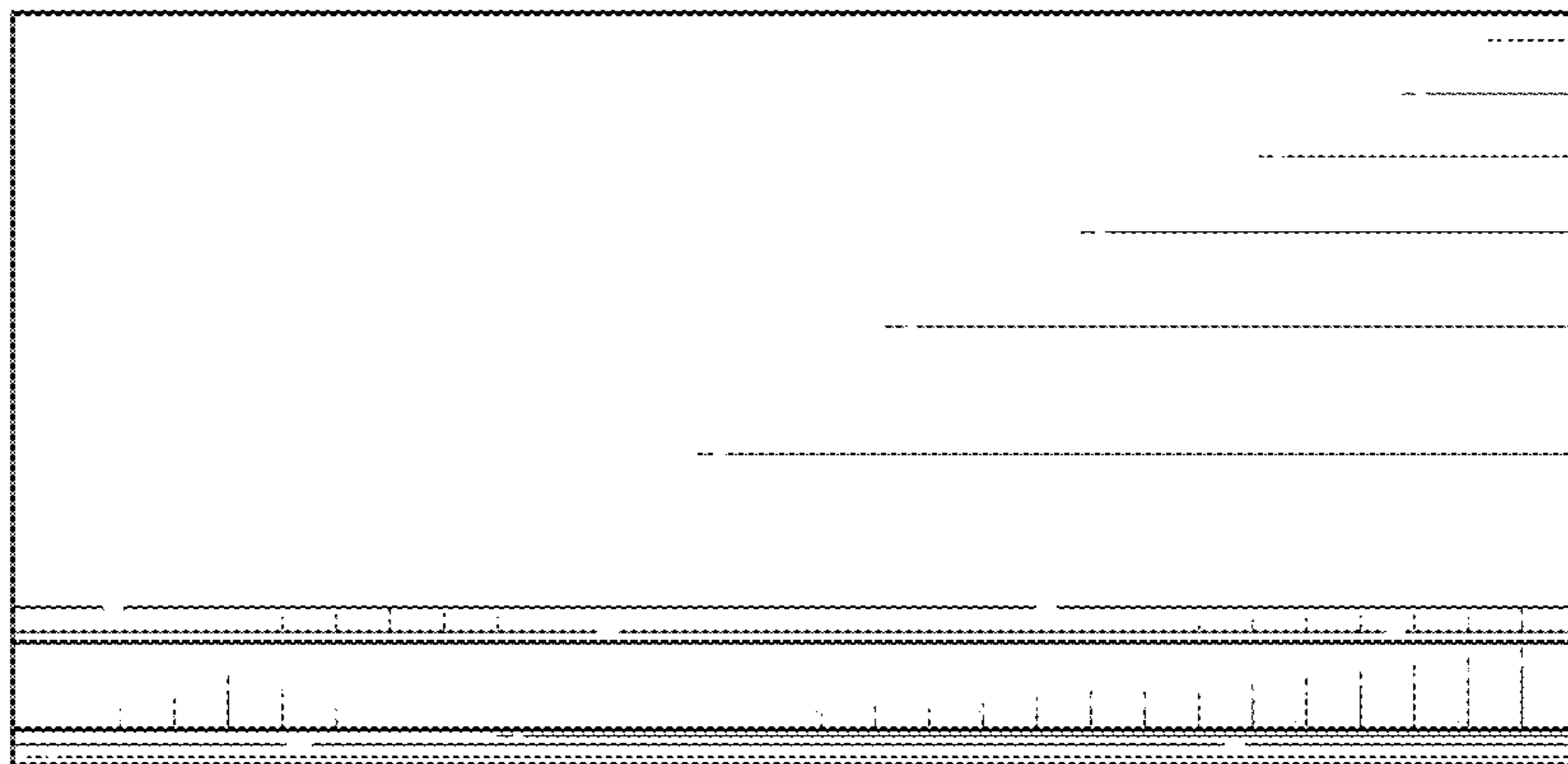


FIG. 4

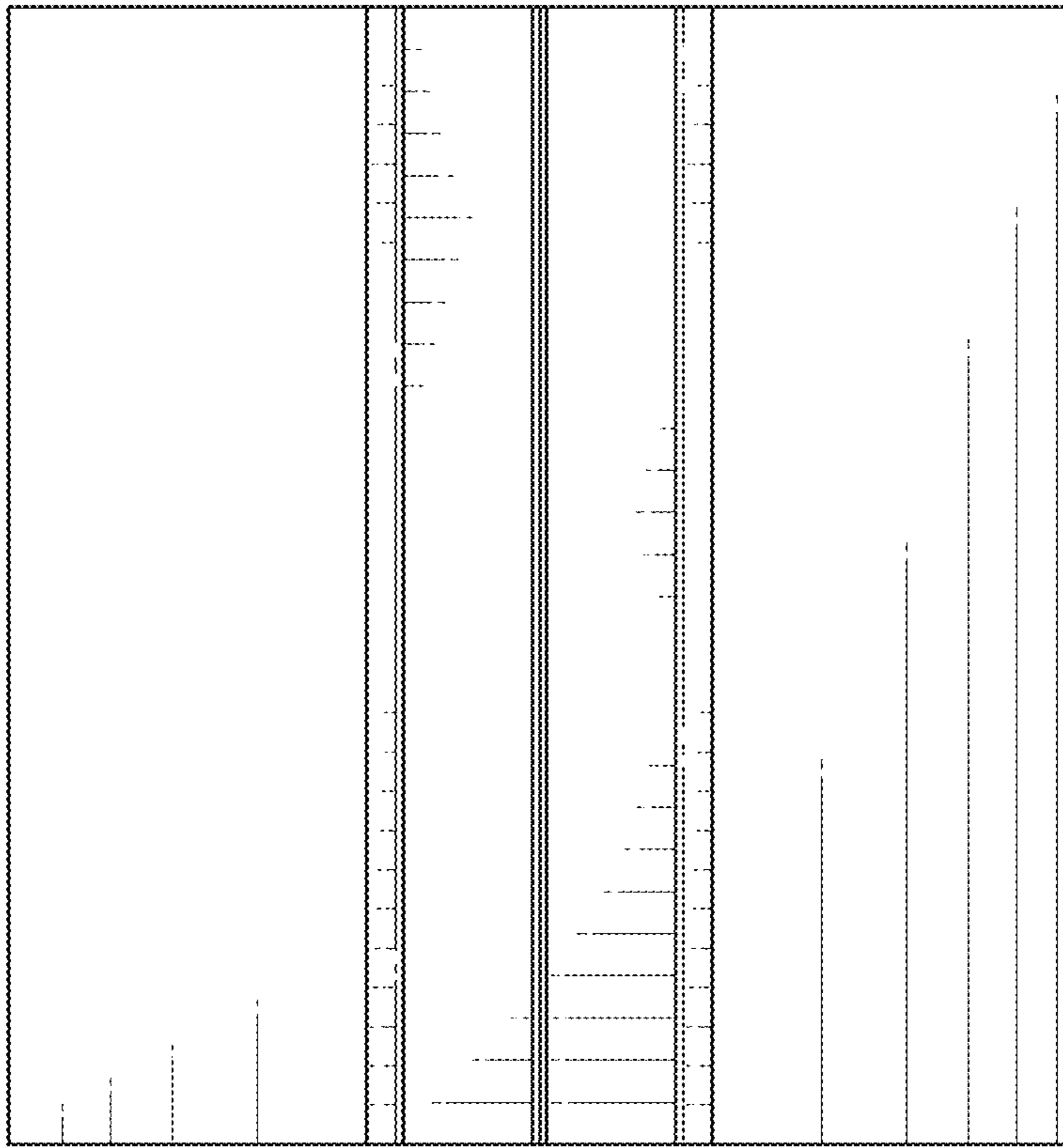


FIG. 5

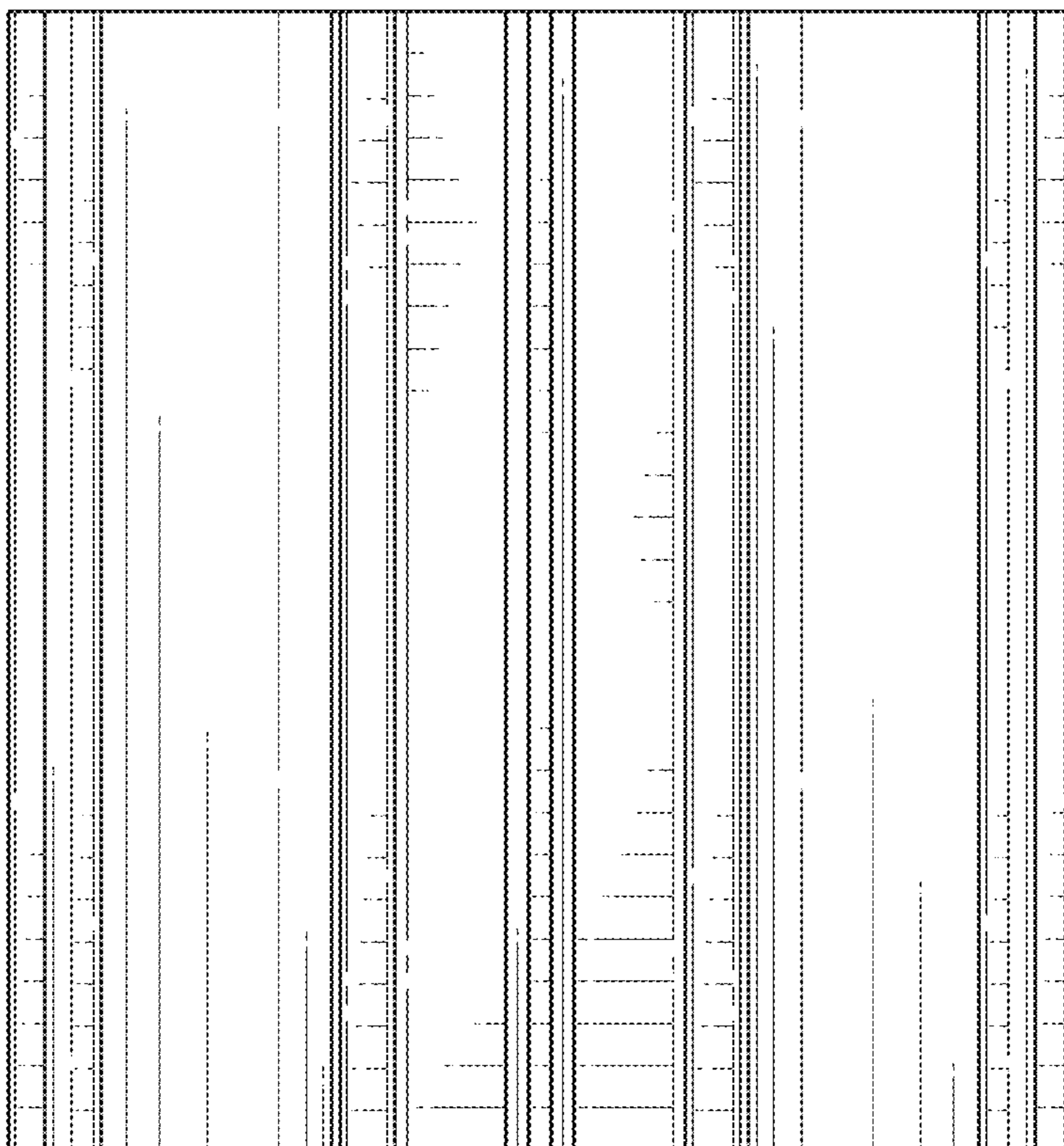


FIG. 6

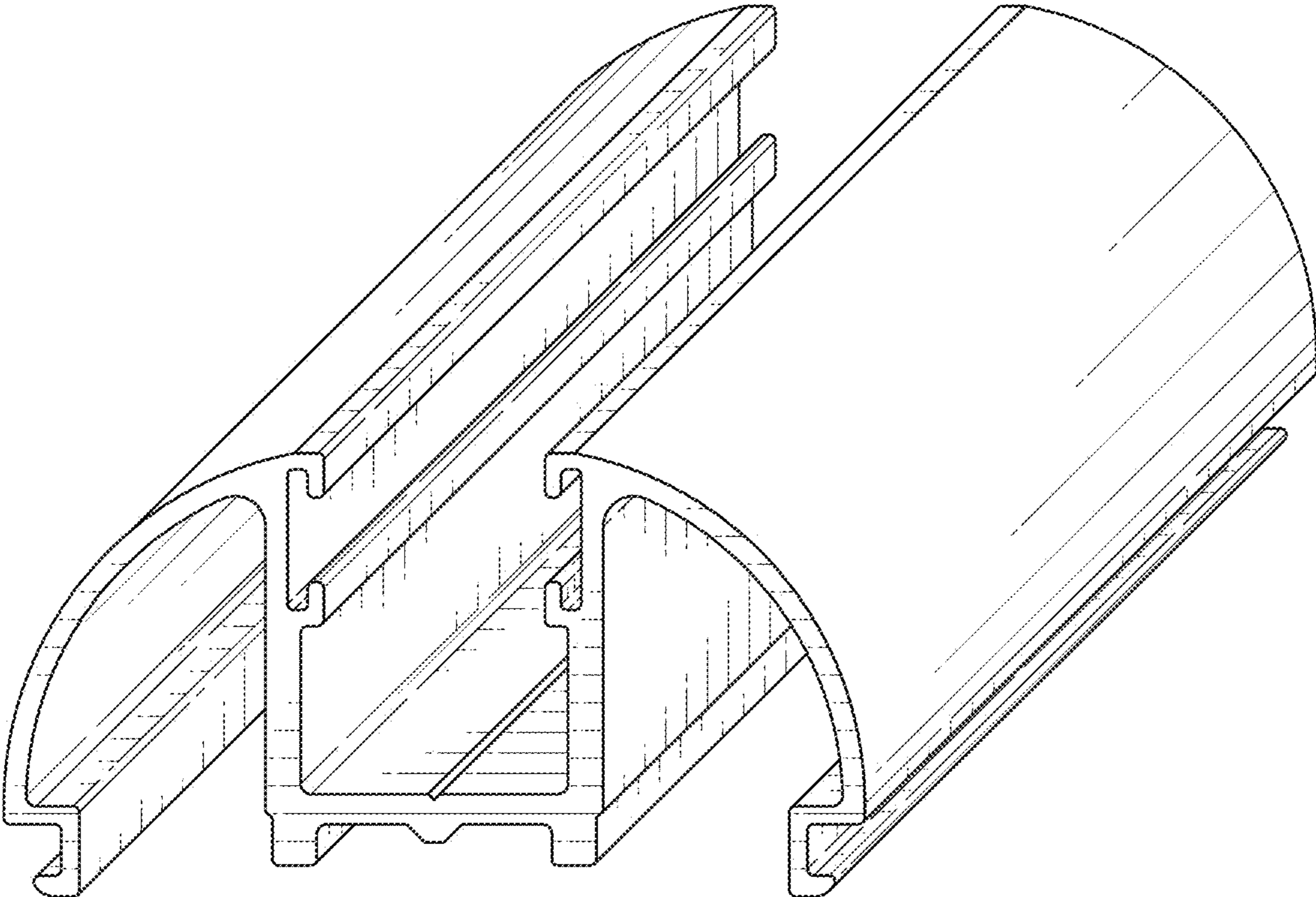


FIG. 7