



US00D942042S

(12) **United States Design Patent**  
**Diserio**

(10) **Patent No.:** **US D942,042 S**  
(45) **Date of Patent:** **\*\* Jan. 25, 2022**

- (54) **DECK SKIRT**
- (71) Applicant: **Lucas Diserio**, Wellsburg, WV (US)
- (72) Inventor: **Lucas Diserio**, Wellsburg, WV (US)
- (73) Assignee: **AMERICAN MUSCLE DOCKS & FABRICATION LLC**, Wellsburg, WV (US)
- (\*\*) Term: **15 Years**
- (21) Appl. No.: **29/724,570**
- (22) Filed: **Feb. 18, 2020**

- 5,347,948 A \* 9/1994 Rytand ..... B63B 35/38  
114/263
- 5,823,132 A \* 10/1998 Donavon ..... B63B 34/50  
114/266
- 6,098,564 A \* 8/2000 Zeilinger ..... B63C 13/00  
114/263

(Continued)

**OTHER PUBLICATIONS**

Dock Siding \_ American Muscle Docks & Fabrication <https://web.archive.org/web/20150909231323/http://americanmuscle docks.com/pages/dock-siding> Sep. 9, 2015 (Year: 2015).\*

*Primary Examiner* — Leanne Was-Englehart  
(74) *Attorney, Agent, or Firm* — Alvin T. Rockhill

**Related U.S. Application Data**

- (62) Division of application No. 29/650,714, filed on Jun. 8, 2018, now Pat. No. Des. 877,363, which is a division of application No. 29/565,629, filed on May 23, 2016, now Pat. No. Des. 823,481.
- (51) **LOC (13) Cl.** ..... **25-02**
- (52) **U.S. Cl.**  
USPC ..... **D25/32**
- (58) **Field of Classification Search**  
USPC ..... D12/316, 317, 318; D25/32, 35, 55, 61, D25/66  
CPC ..... E04B 1/10; E04B 7/02; E04B 7/06; E04B 7/063; E04C 3/42; F16B 15/0046  
See application file for complete search history.

(56) **References Cited**

**U.S. PATENT DOCUMENTS**

- 4,096,670 A \* 6/1978 Fuller ..... E04B 1/10  
52/92.2
- 4,260,293 A \* 4/1981 Peterson ..... E02B 3/064  
114/267
- 4,709,647 A \* 12/1987 Rytand ..... E02B 3/064  
114/263
- D333,707 S \* 3/1993 Cerbone ..... D25/138
- 5,205,087 A \* 4/1993 Jines ..... E04H 3/28  
52/126.5

(57) **CLAIM**

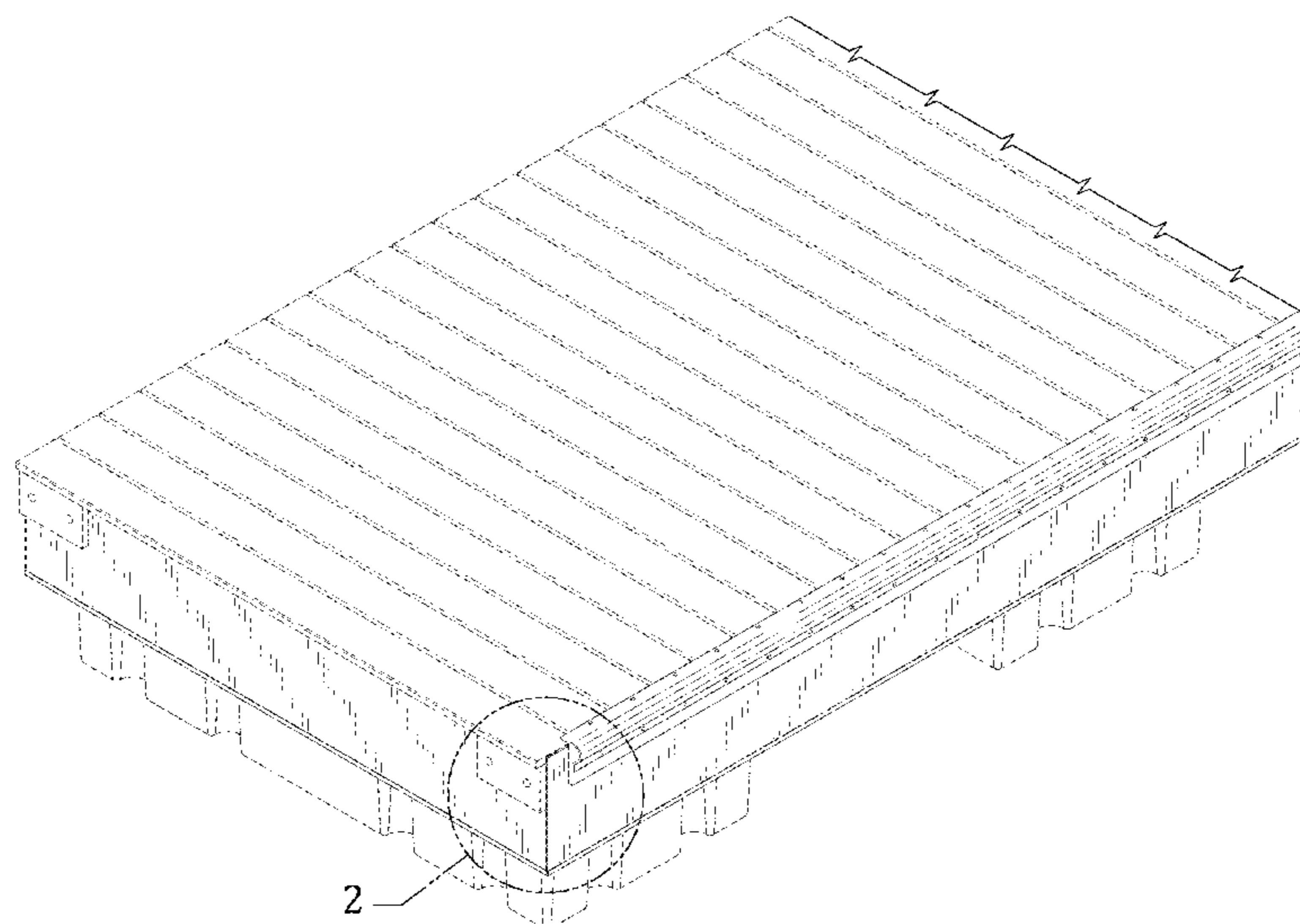
The ornamental design for a deck skirt, as shown and described.

**DESCRIPTION**

FIG. 1 is a perspective view of a deck skirt of my new design;  
FIG. 2 is a magnified view of area 2 as shown in FIG. 1;  
FIG. 3 is a front view of the deck skirt as illustrated in FIG. 1;  
FIG. 4 is a back view of the deck skirt as illustrated in FIG. 1;  
FIG. 5 is a left side view of the deck skirt as illustrated in FIG. 1; and,  
FIG. 6 is a right side view of the deck skirt as illustrated in FIG. 1.

The subject matter shown in broken lines does not constitute any part of the claimed design. The evenly spaced broken lines depict portions of the deck skirt that form no part of the claimed design. The unevenly spaced broken lines depict the limits of the enlarged view. The break lines in the figures represent the bounds of the Claim.

**1 Claim, 4 Drawing Sheets**



(56)

**References Cited**

U.S. PATENT DOCUMENTS

D502,271 S *	2/2005	Stensrud .....	D25/61
D510,062 S *	9/2005	McCormack .....	D12/316
D586,479 S *	2/2009	Hockemeyer .....	D25/126
D586,480 S *	2/2009	Hockemeyer .....	D25/126
D608,459 S *	1/2010	Wyse .....	D25/35
8,769,908 B1 *	7/2014	Santini .....	E04C 2/38 52/656.9
D737,464 S *	8/2015	Edlington .....	D25/62
D781,453 S *	3/2017	Gomez .....	D25/68
D823,481 S *	7/2018	Diserio .....	D25/32
D877,363 S *	3/2020	Diserio .....	D25/32

\* cited by examiner

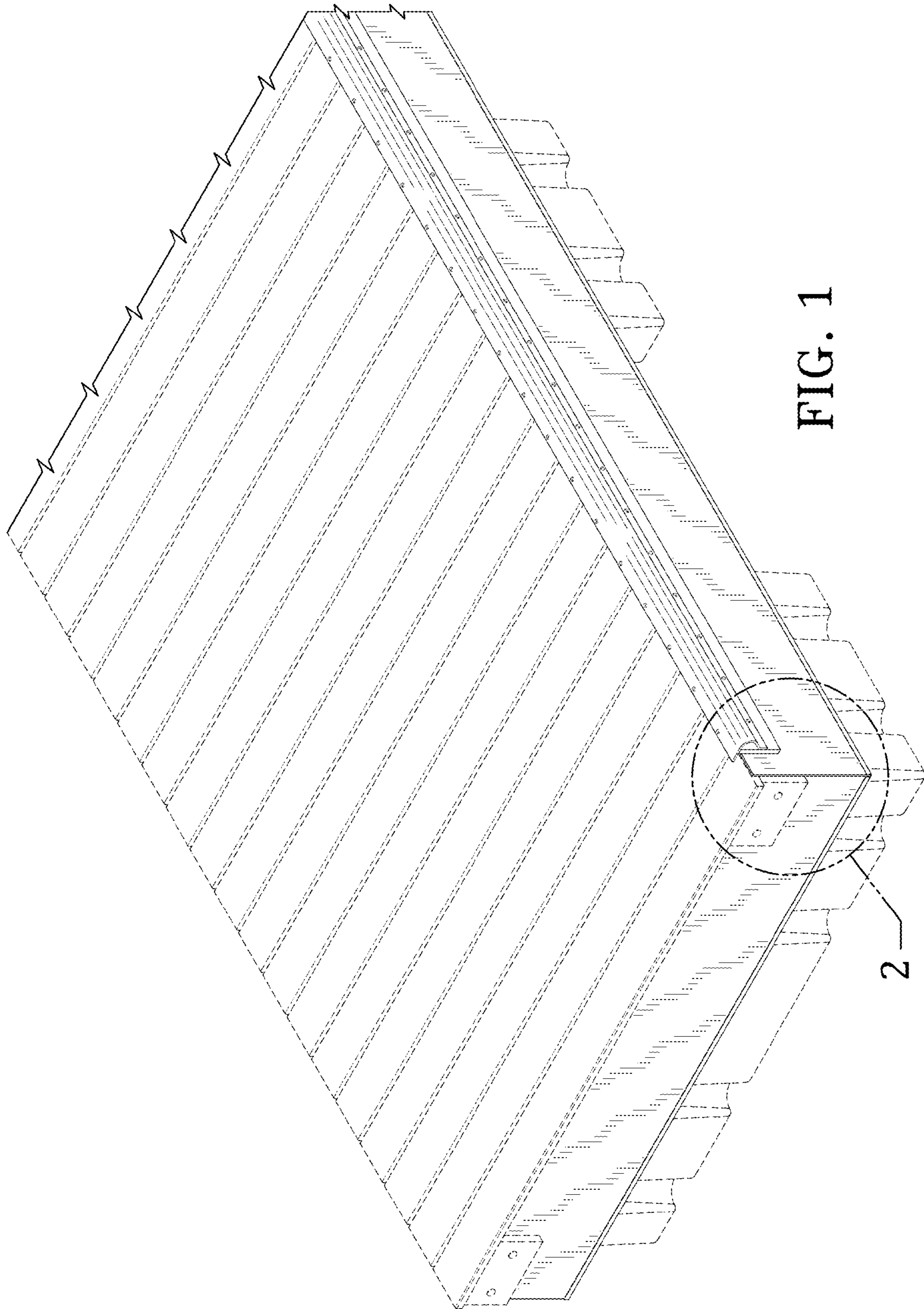


FIG. 1

2

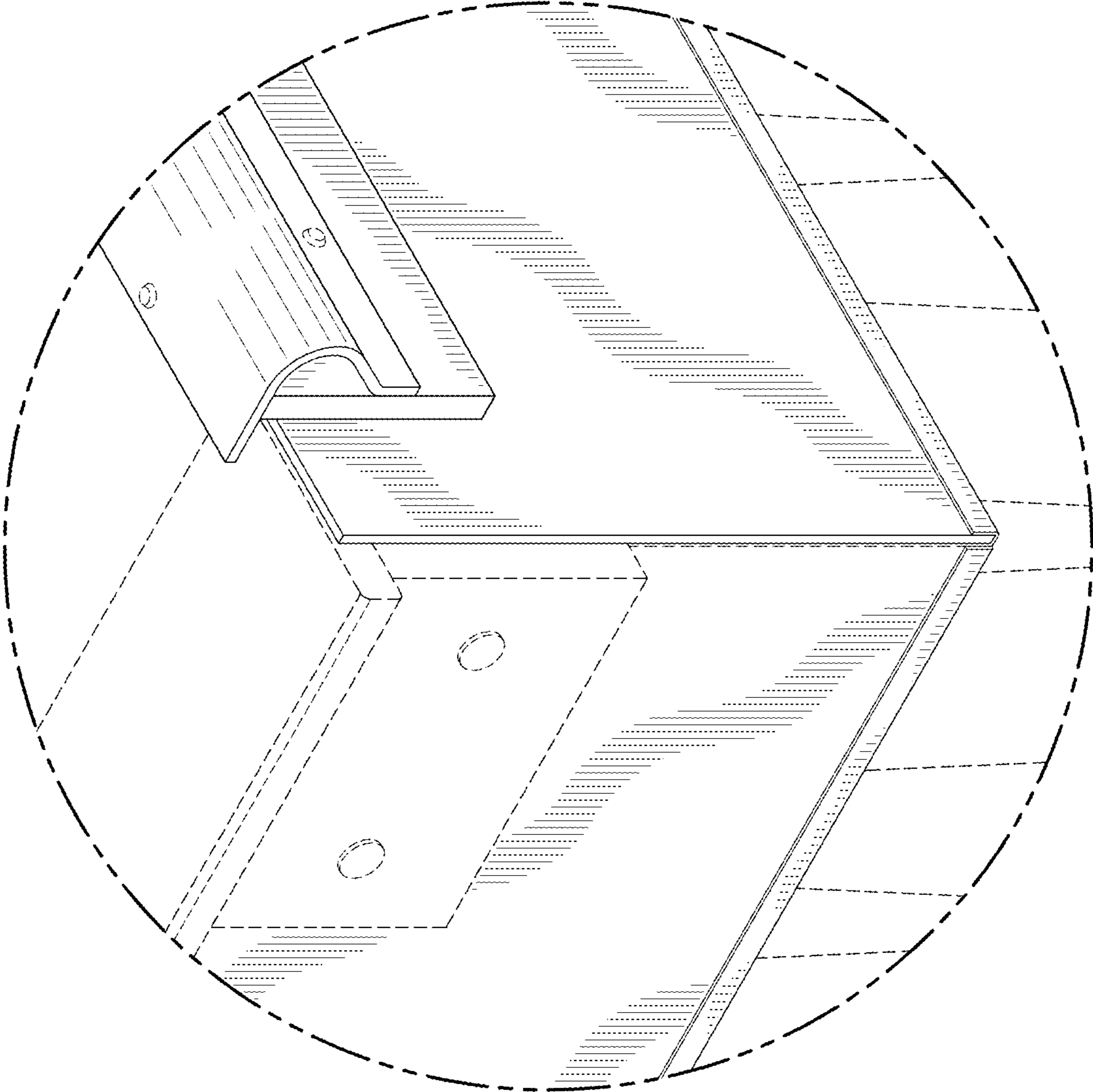


FIG. 2

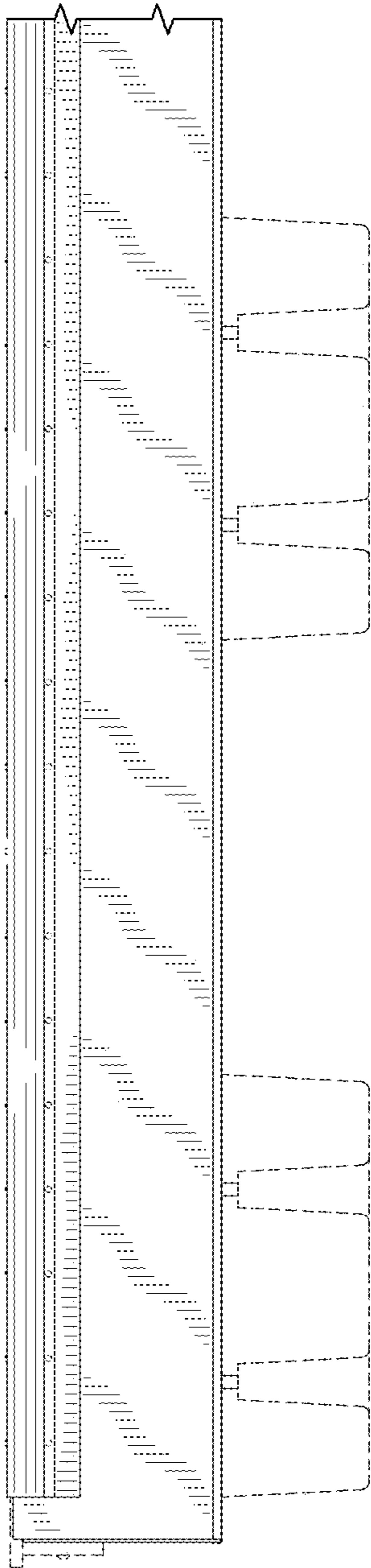


FIG. 3

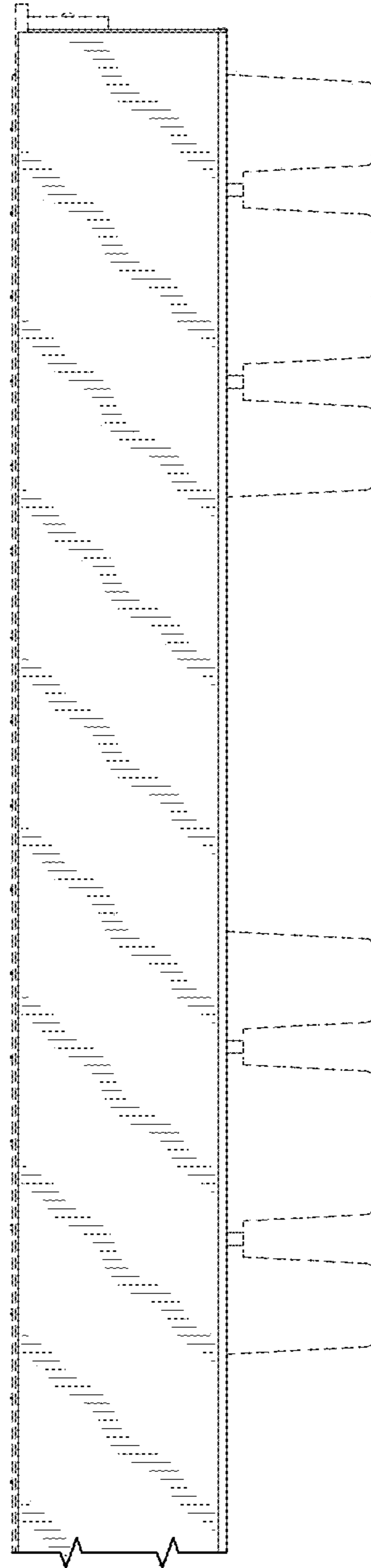


FIG. 4

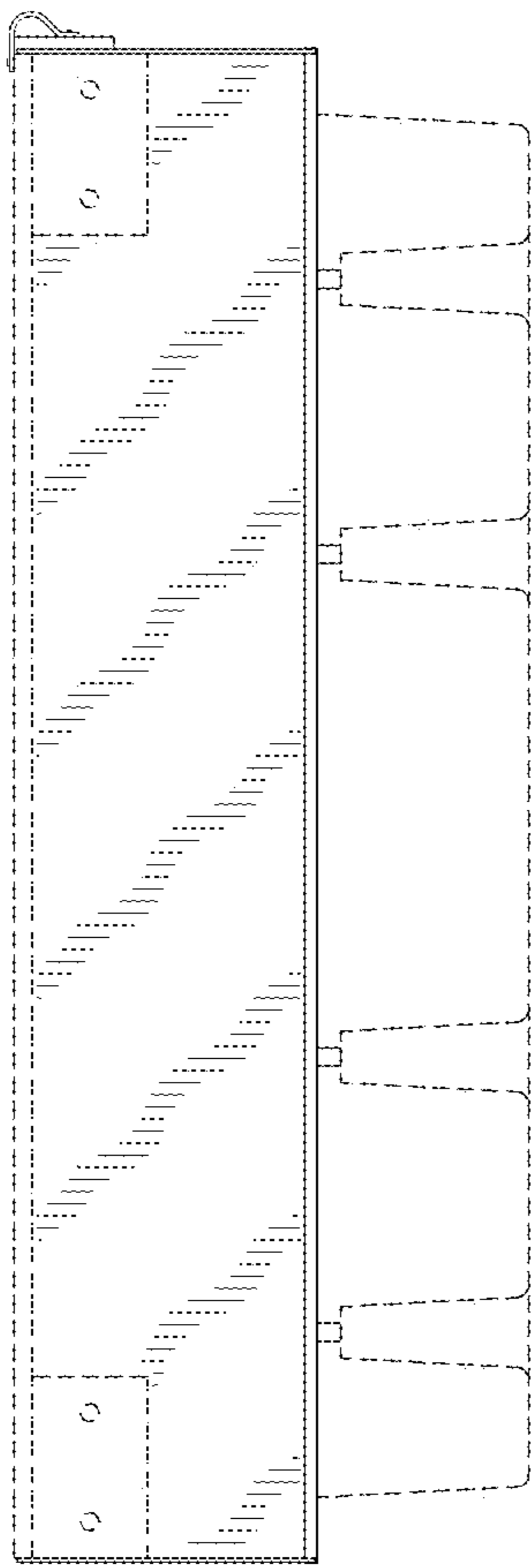


FIG. 5

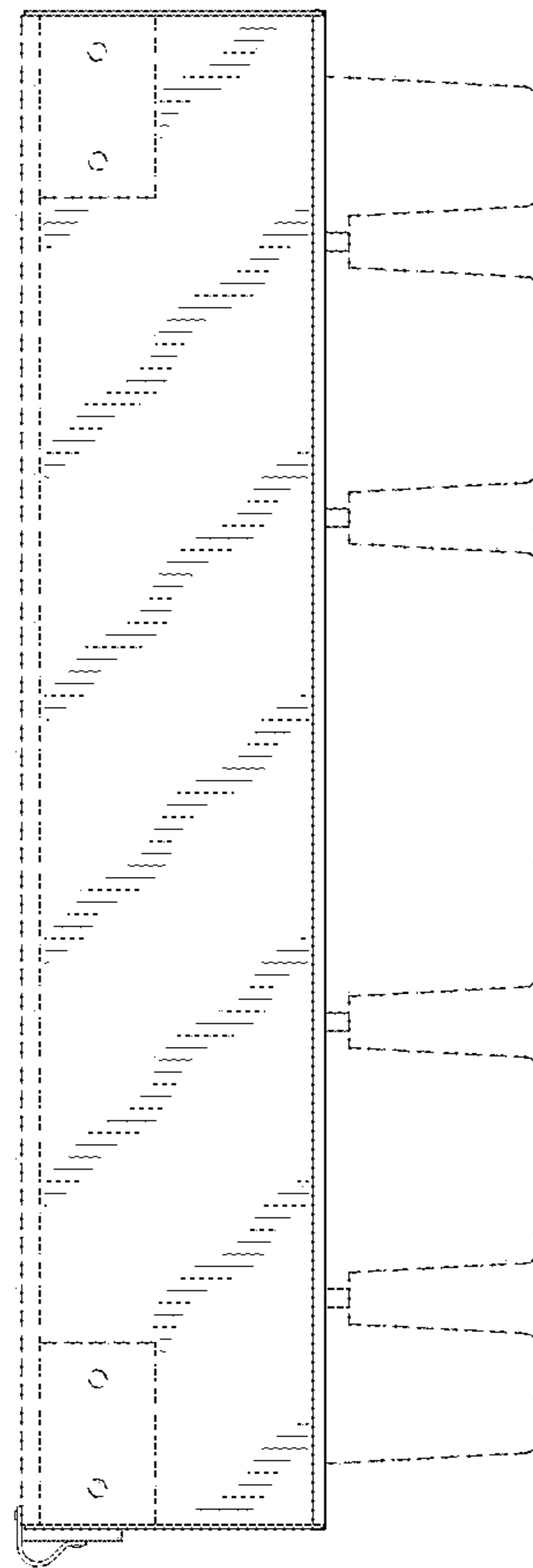


FIG. 6