

US00D942039S

(12) **United States Design Patent** (10) **Patent No.:** **US D942,039 S**
Luther et al. (45) **Date of Patent:** **** Jan. 25, 2022**

- (54) **ELECTROPORATION DEVICE**
- (71) Applicant: **MaxCyte, Inc.**, Gaithersburg, MD (US)
- (72) Inventors: **James William Luther**, Milan (IT);
Bertold Engler, Altensteig (DE);
Andrea Besana, Seveso (IT); **Thomas Alan Peach**, Milan (IT)
- (73) Assignee: **MaxCyte, Inc.**, Gaithersburg, MD (US)
- (**) Term: **15 Years**
- (21) Appl. No.: **29/788,420**
- (22) Filed: **May 21, 2021**

- D552,241 S 10/2007 Bromley et al.
- D553,347 S * 10/2007 Cooney D13/164
- D567,761 S 4/2008 Waaler et al.
- D574,771 S 8/2008 Flanigan et al.
- D620,886 S 8/2010 Flattinger et al.
- D657,068 S * 4/2012 Shibata D24/216
- D688,804 S * 8/2013 Kim D24/216
- D693,928 S 11/2013 Chung et al.
- D704,839 S * 5/2014 Juzkiw D24/170
- D712,031 S * 8/2014 Feng D24/144
- D712,352 S 9/2014 George et al.
- D712,833 S 9/2014 George et al.
- D720,079 S * 12/2014 Oonuma D24/216
- D728,121 S 4/2015 Cook et al.
- 9,020,605 B2 4/2015 McCluskey et al.
- D743,035 S 11/2015 Uozumi et al.
- D759,250 S 6/2016 Engler

(Continued)

Related U.S. Application Data

- (63) Continuation of application No. 29/726,262, filed on Mar. 2, 2020, now Pat. No. Des. 923,200.
- (51) **LOC (13) Cl.** **24-01**
- (52) **U.S. Cl.**
USPC **D24/233**; D24/216
- (58) **Field of Classification Search**
USPC D13/101, 110, 112, 113, 114, 115, 116,
D13/118, 122; D24/144, 216, 220, 232,
D24/233, 167, 170, 185, 200, 214
CPC F02B 63/04; F02D 19/066; A61B 18/1206;
A61B 18/1402; A61B 18/1815; F24H
9/02; H01R 13/64; H02K 21/042; H02K
7/006; H02H 3/025; A61N 1/00; A61N
1/05; A61N 1/32
See application file for complete search history.

References Cited

U.S. PATENT DOCUMENTS

- D285,420 S * 9/1986 Gremonprez D10/40
- D455,665 S * 4/2002 Schoenfish D10/125
- D546,761 S 7/2007 Schnackenberg

Primary Examiner — Derrick E Holland

(74) *Attorney, Agent, or Firm* — Finnegan, Henderson, Farabow, Garrett & Dunner, LLP

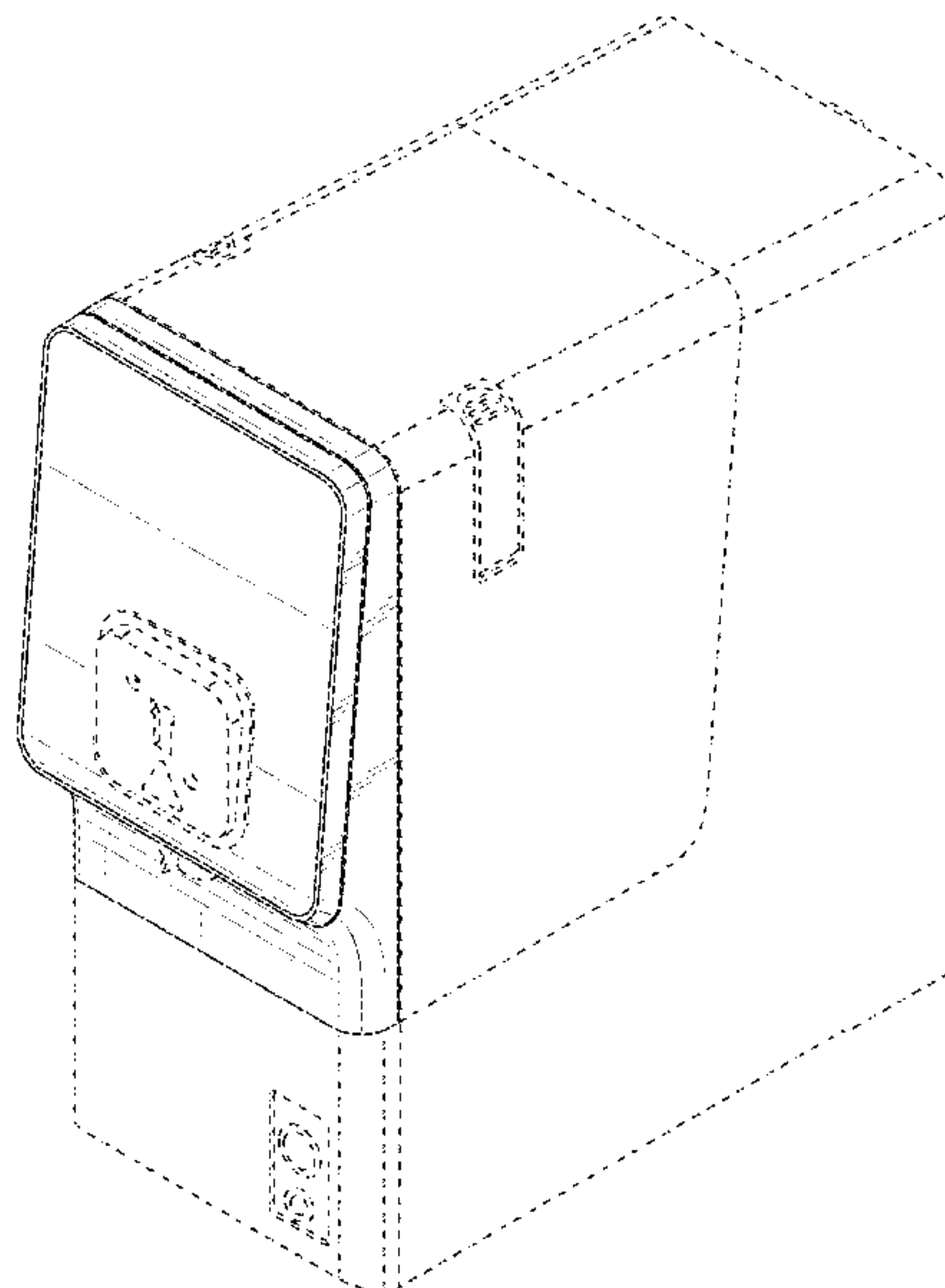
(57) **CLAIM**

The ornamental design for an electroporation device, as shown and described.

DESCRIPTION

FIG. 1 is a front, top, right perspective view of an electroporation device, showing the new design;
 FIG. 2 is a rear, bottom, left perspective thereof;
 FIG. 3 is a front view thereof;
 FIG. 4 is a rear view thereof;
 FIG. 5 is a right side view thereof;
 FIG. 6 is a left side view thereof;
 FIG. 7 is a top view thereof; and,
 FIG. 8 is a bottom view thereof.
 The broken lines of uneven length illustrate the boundary of the claimed design and form no part thereof. The broken lines of even length depict portions of the electroporation device that form no part of the claimed design.

1 Claim, 8 Drawing Sheets



(56)

References Cited

U.S. PATENT DOCUMENTS

D793,559 S *	8/2017	Thompson	D24/170
D821,601 S	6/2018	Henderson	
D850,962 S *	6/2019	Mendez	D10/98
D860,941 S	9/2019	Wheeler	
2016/0175619 A1	6/2016	Lee et al.	

* cited by examiner

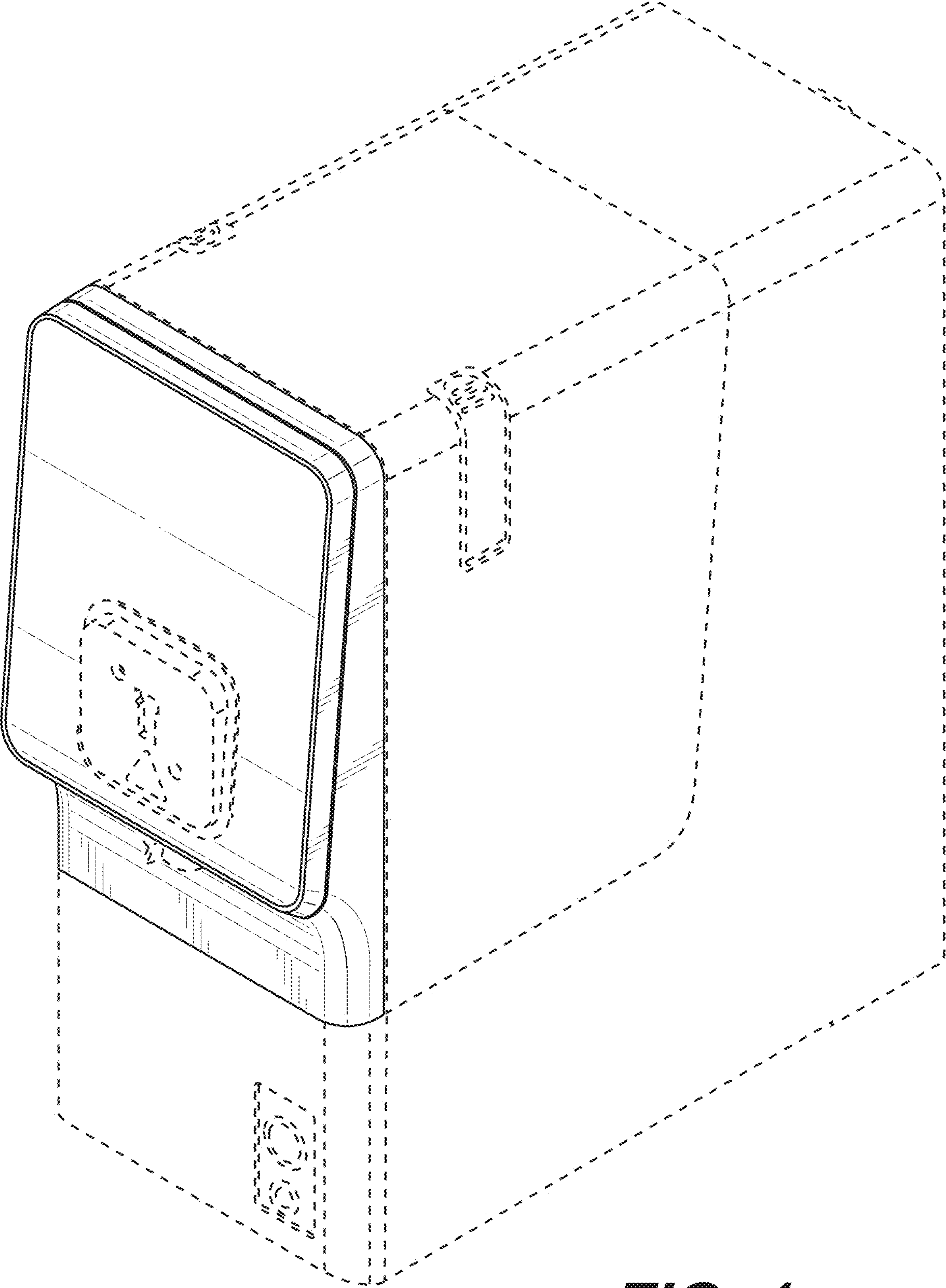


FIG. 1

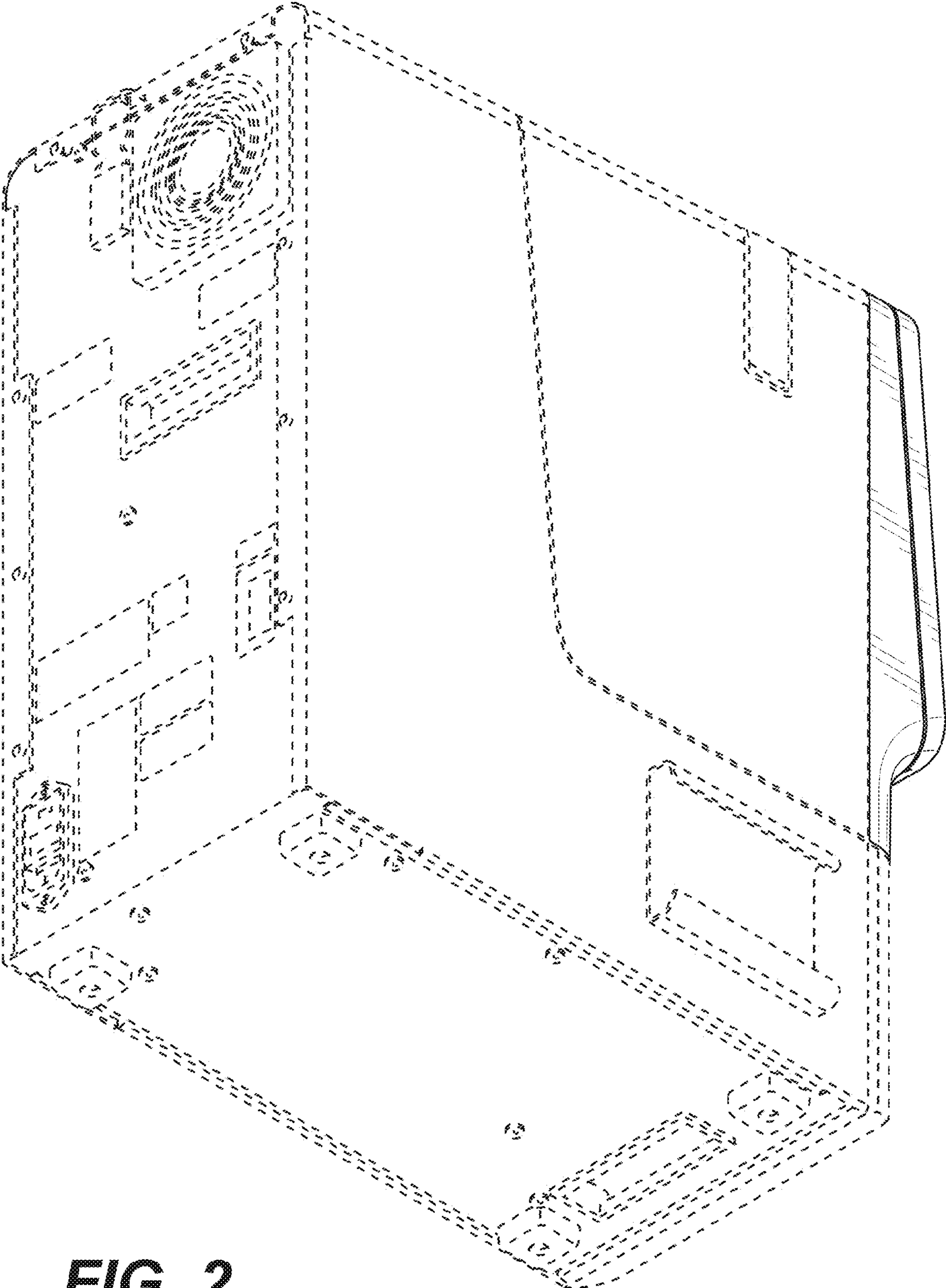


FIG. 2

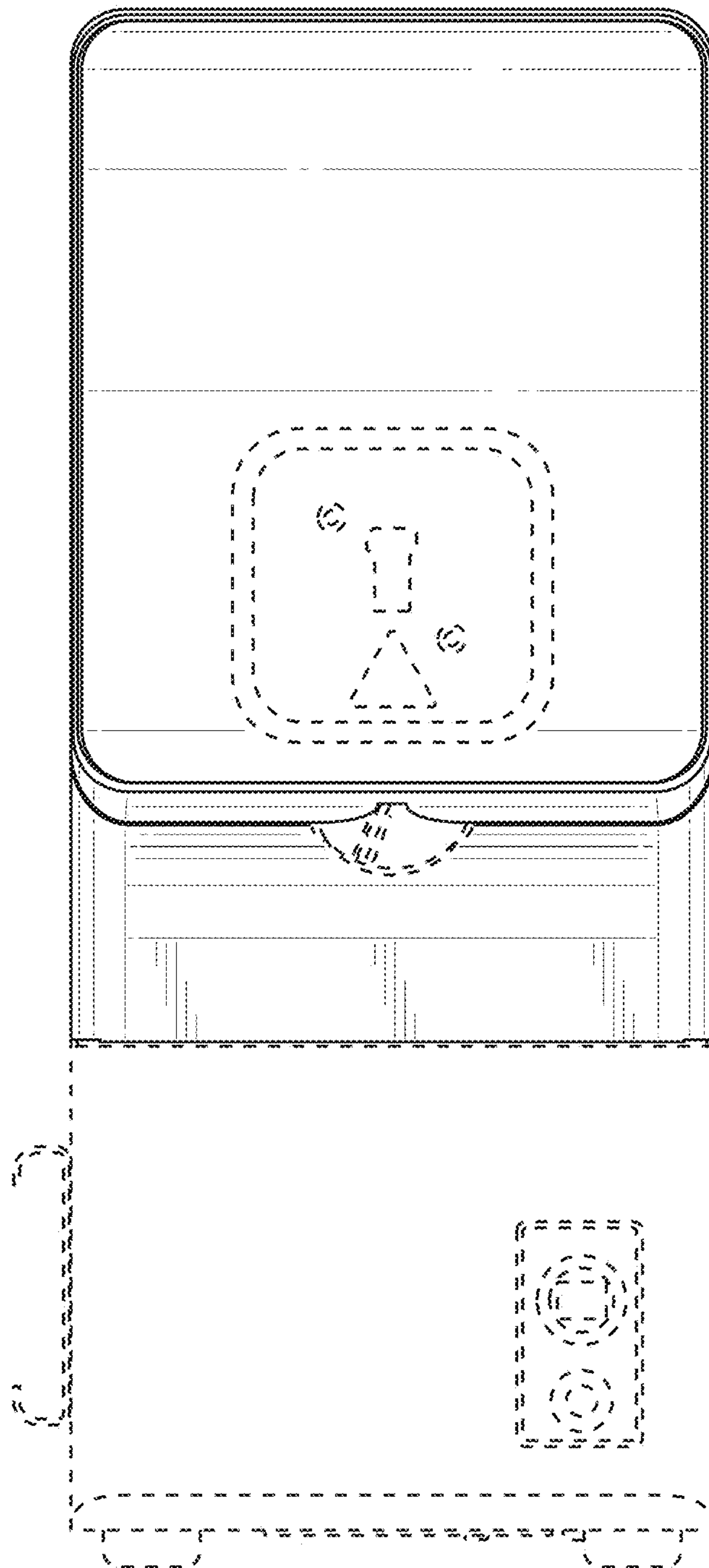


FIG. 3

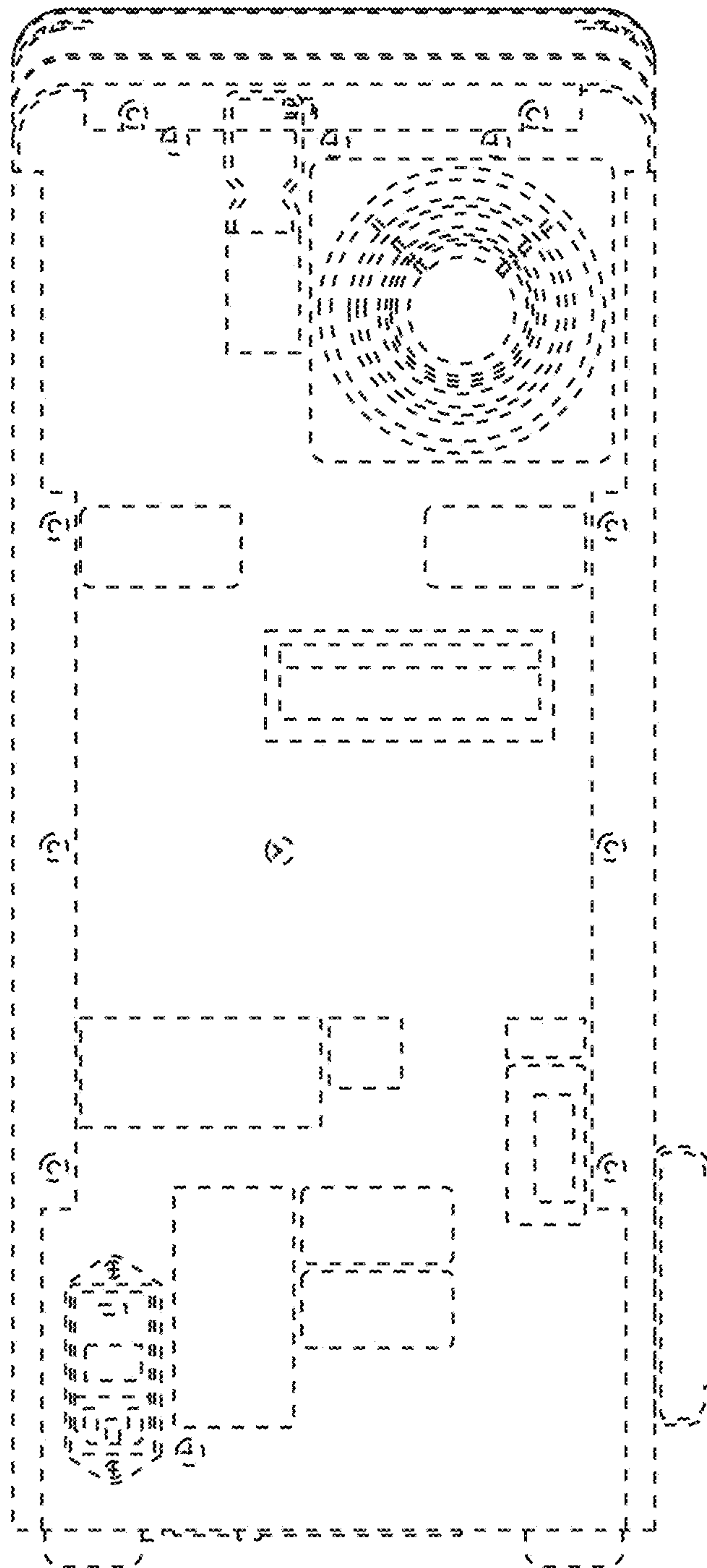


FIG. 4

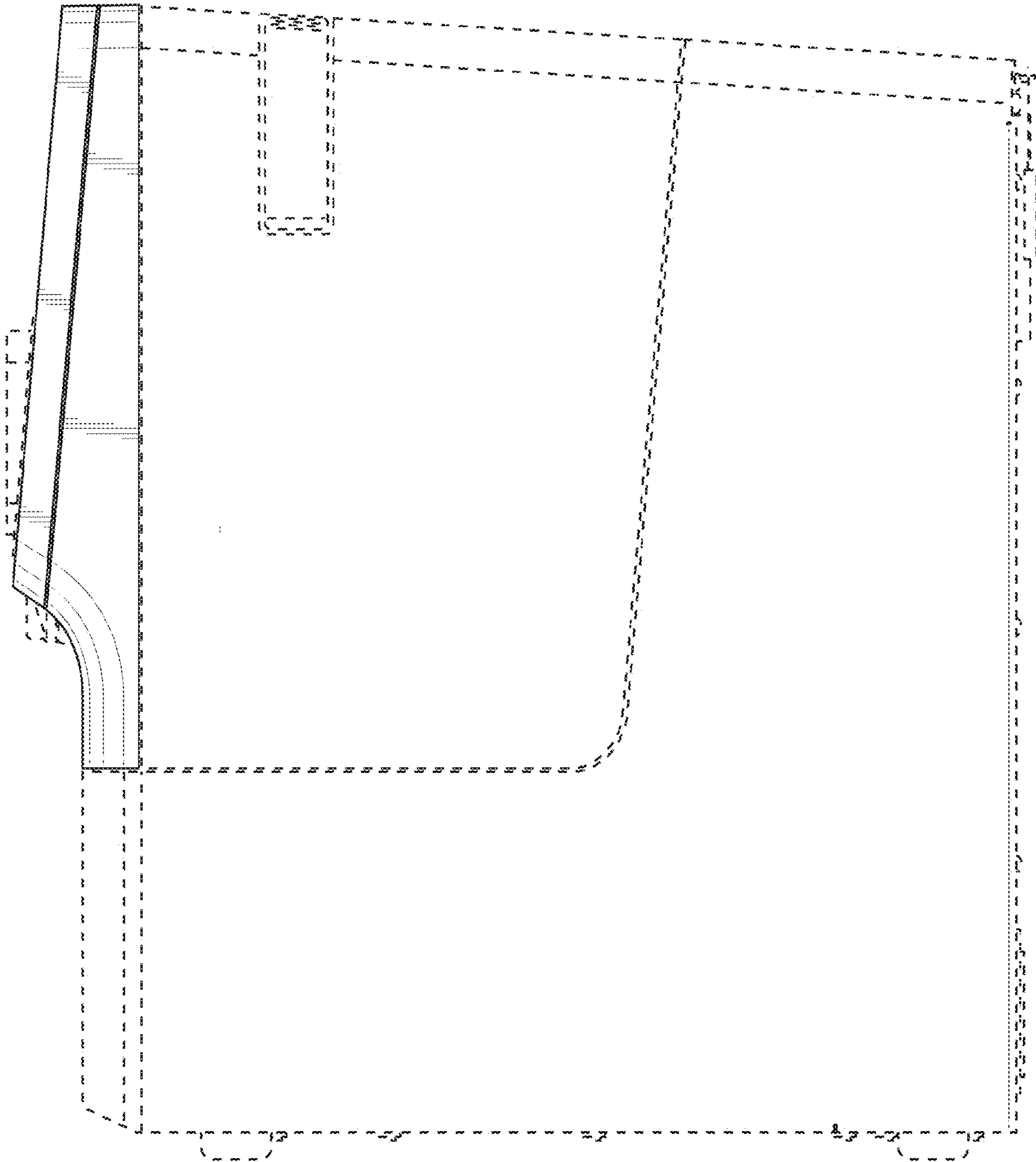


FIG. 5

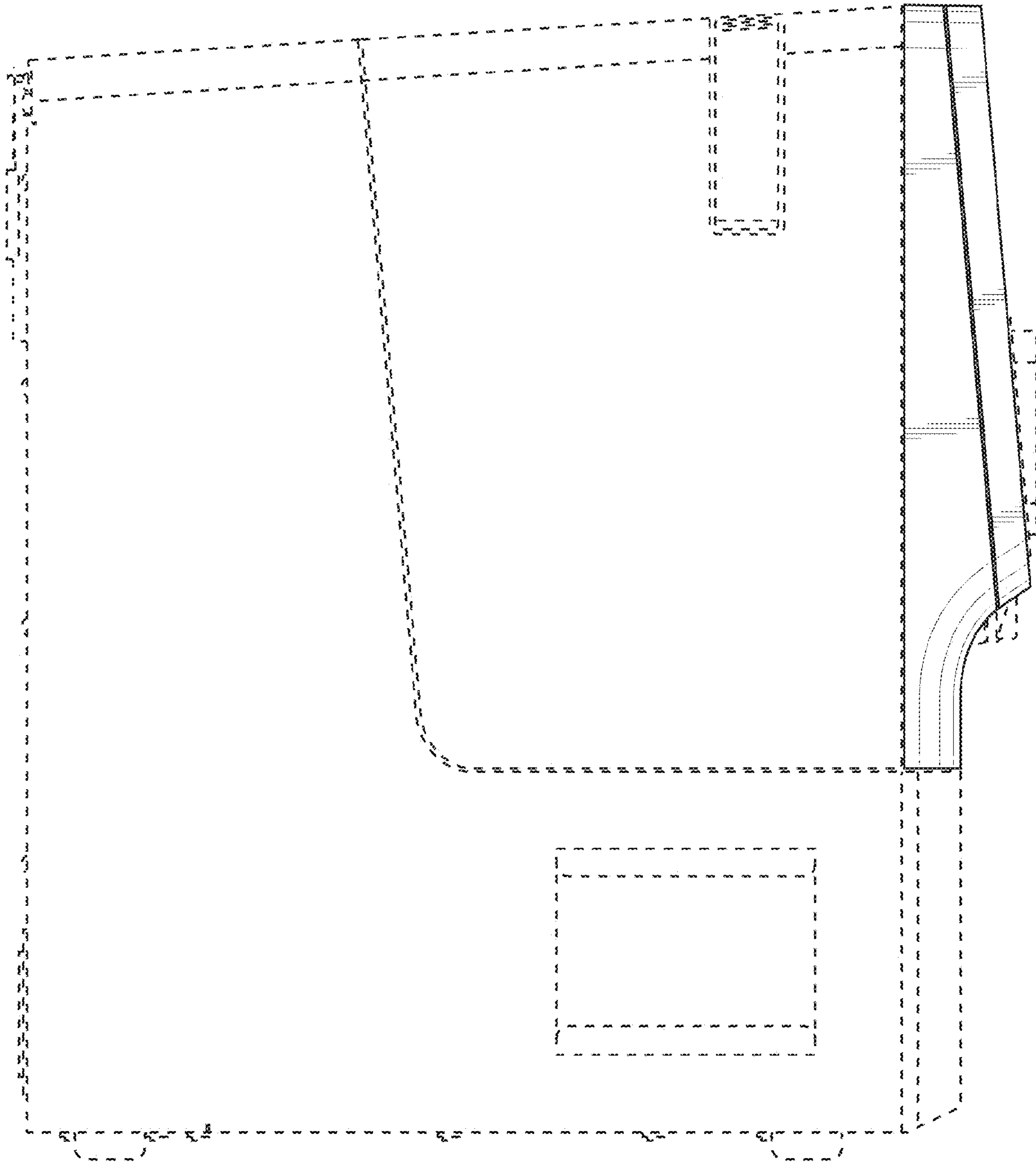


FIG. 6

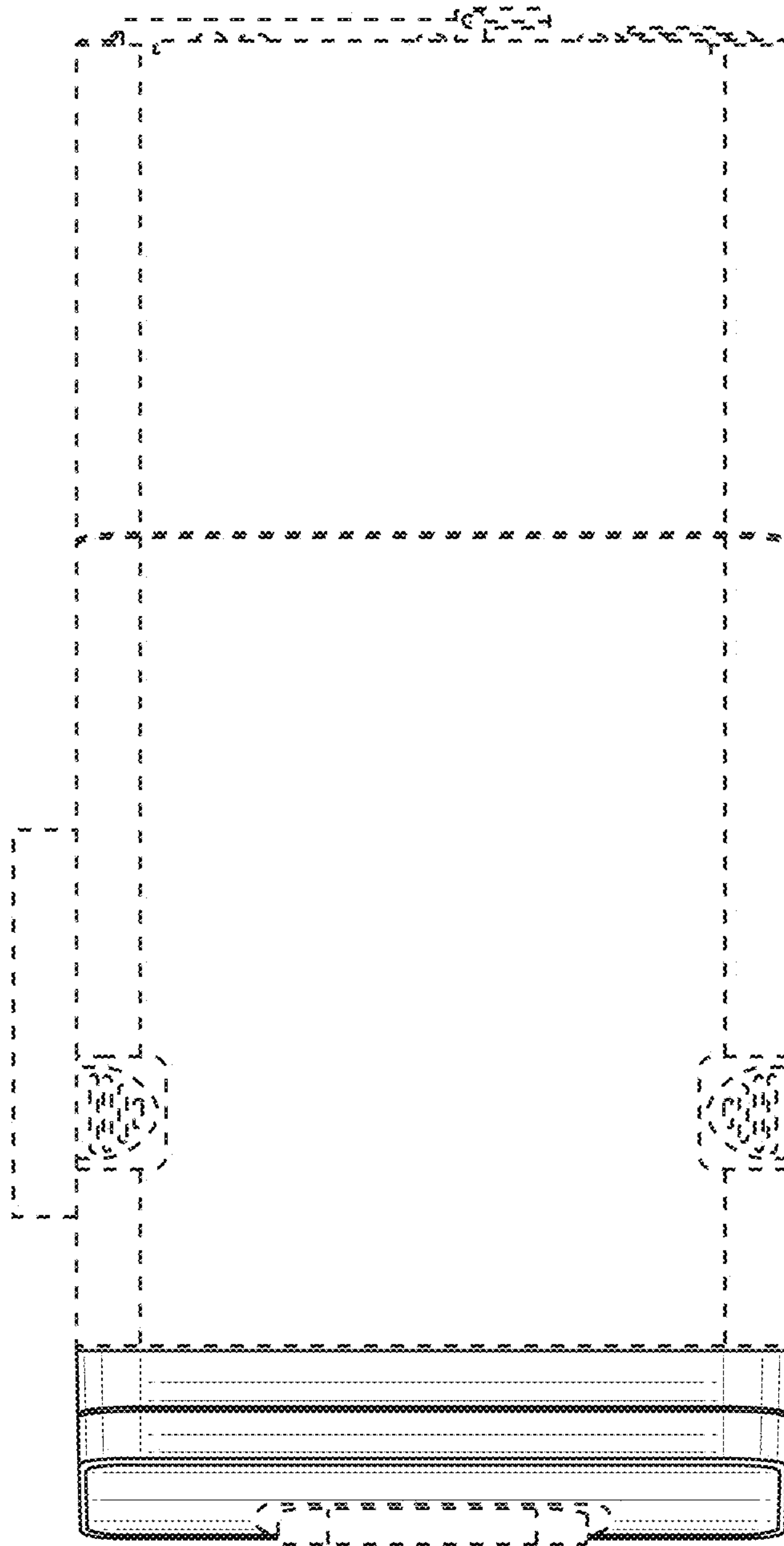


FIG. 7

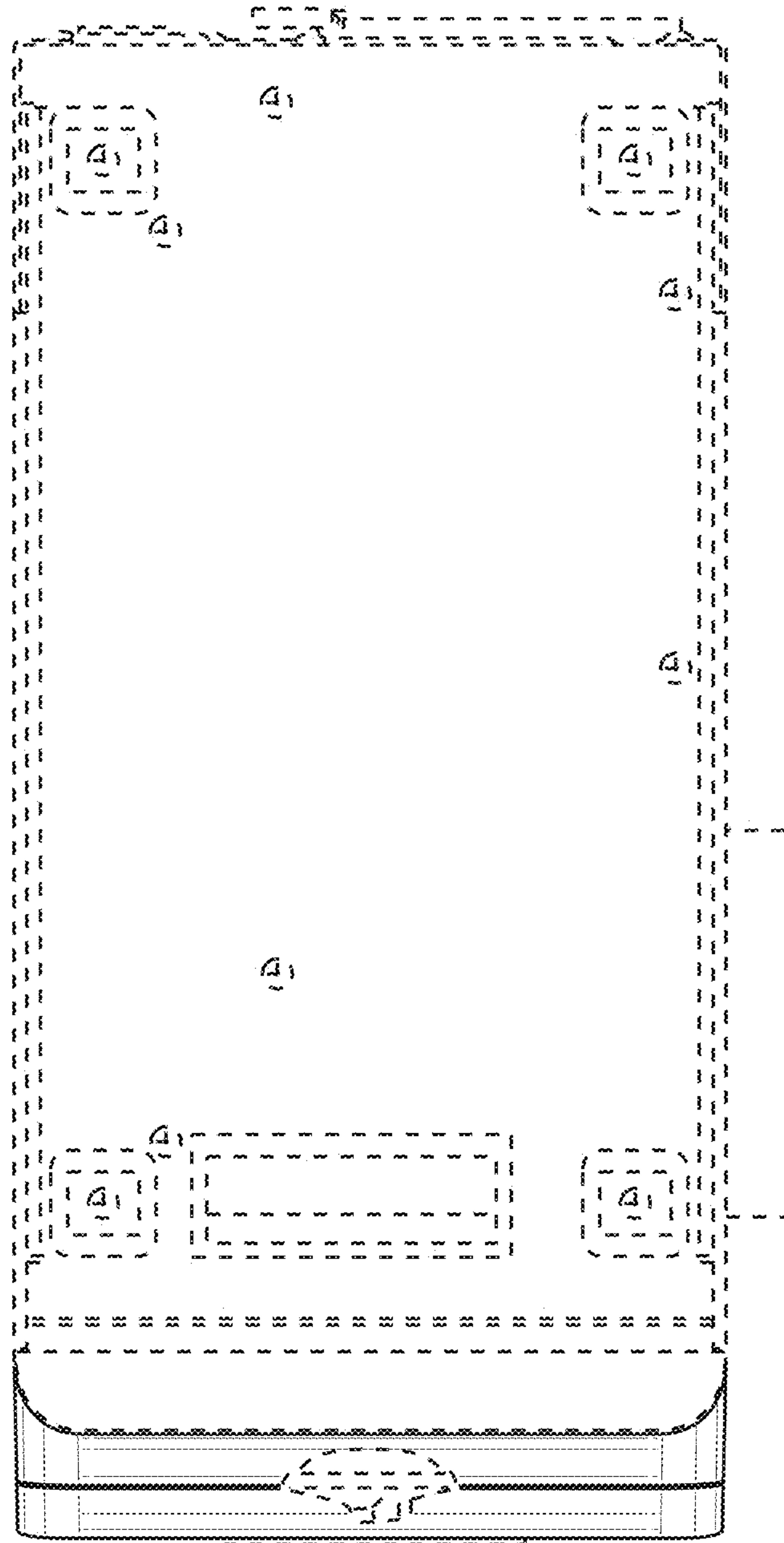


FIG. 8