



US00D942036S

(12) **United States Design Patent** (10) **Patent No.:** **US D942,036 S**  
**Eubanks** (45) **Date of Patent:** **\*\* Jan. 25, 2022**

- (54) **SCOPE WARMER APPARATUS**
- (71) Applicant: **Steve Eubanks**, Winter Park, FL (US)
- (72) Inventor: **Steve Eubanks**, Winter Park, FL (US)
- (73) Assignee: **Steve Eubanks**, Winter Park, FL (US)
- (\*\*) Term: **15 Years**
- (21) Appl. No.: **29/747,610**
- (22) Filed: **Aug. 24, 2020**

8,152,717	B2	4/2012	Gomez	
9,060,676	B2	6/2015	Blackhurst et al.	
9,326,667	B2	5/2016	Kammer et al.	
D765,840	S	9/2016	Miller et al.	
D767,131	S	9/2016	Gomez et al.	
9,526,409	B2	12/2016	Gomez et al.	
10,433,719	B1	10/2019	Herrera	
D868,997	S	12/2019	Eubanks	
D893,044	S *	8/2020	Wei .....	D24/217
D894,425	S	8/2020	Eubanks	
D922,221	S *	6/2021	Matsumoto .....	D10/81
2002/0016525	A1	2/2002	Ishibiki	
2002/0022762	A1	2/2002	Beane et al.	
2006/0293559	A1	12/2006	Grice et al.	
2014/0088366	A1	3/2014	Solingen	
2015/0080660	A1	3/2015	Gomez et al.	
2016/0022128	A1	1/2016	Temple	

(Continued)

**Related U.S. Application Data**

- (63) Continuation of application No. 29/712,686, filed on Nov. 11, 2019, now Pat. No. Des. 894,425, which is a continuation of application No. 29/617,851, filed on Sep. 15, 2017, now Pat. No. Des. 868,997.
- (51) **LOC (13) Cl.** ..... **24-01**
- (52) **U.S. Cl.**  
USPC ..... **D24/217**
- (58) **Field of Classification Search**  
USPC ..... D24/107, 185, 186, 216, 231-234, 137, D24/138, 217; D10/81  
CPC ..... A61B 1/123; A61B 1/125; A61B 1/127; B08B 3/10; B08B 3/123; H04N 9/735; G02B 23/2476; G02B 27/0006  
See application file for complete search history.

**FOREIGN PATENT DOCUMENTS**

WO	2015/051098	A1	4/2015
WO	2017/079318	A1	5/2017

*Primary Examiner* — Anhdao Doan

(74) *Attorney, Agent, or Firm* — McCarter & English, LLP

(57) **CLAIM**

The ornamental design for a scope warmer apparatus, as shown and described.

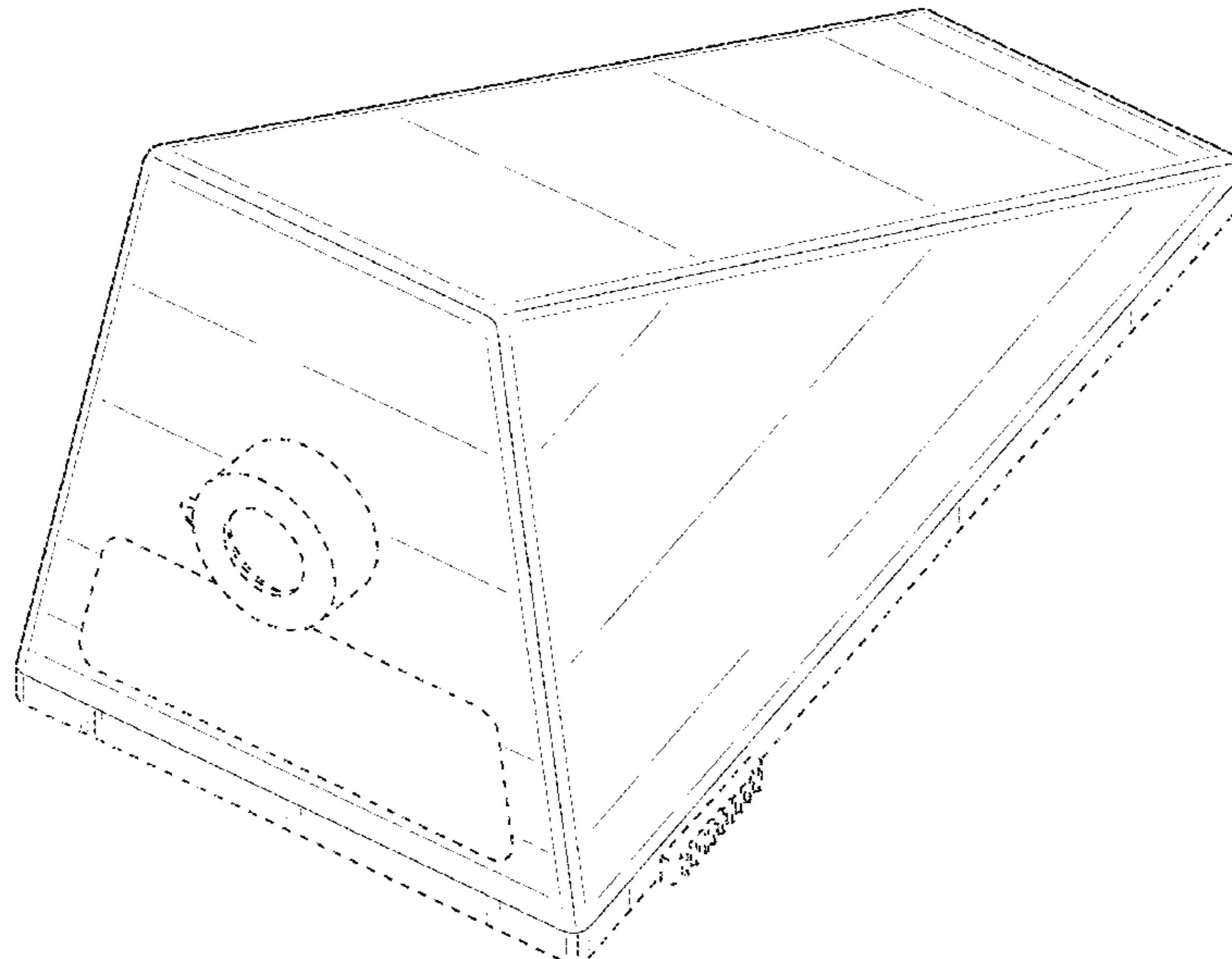
**DESCRIPTION**

FIG. 1 is a perspective view of a scope warmer apparatus; FIG. 2 is a front end view thereof; FIG. 3 is a back end view thereof; FIG. 4 is a left side view thereof; FIG. 5 is a right side view thereof; FIG. 6 is a top view thereof; and, FIG. 7 is a bottom view thereof. The broken lines depict portions of the scope warmer apparatus that form no part of the claimed design.

**1 Claim, 7 Drawing Sheets**

(56) **References Cited**  
U.S. PATENT DOCUMENTS

D288,128	S	2/1987	White et al.
D329,500	S	9/1992	Arioka et al.
5,573,493	A	11/1996	Sauer et al.
D453,380	S	2/2002	Waluszko et al.
D459,481	S	6/2002	Levin
D472,325	S	3/2003	Walker
7,311,660	B2	12/2007	Gomez
D645,975	S	9/2011	Barkey



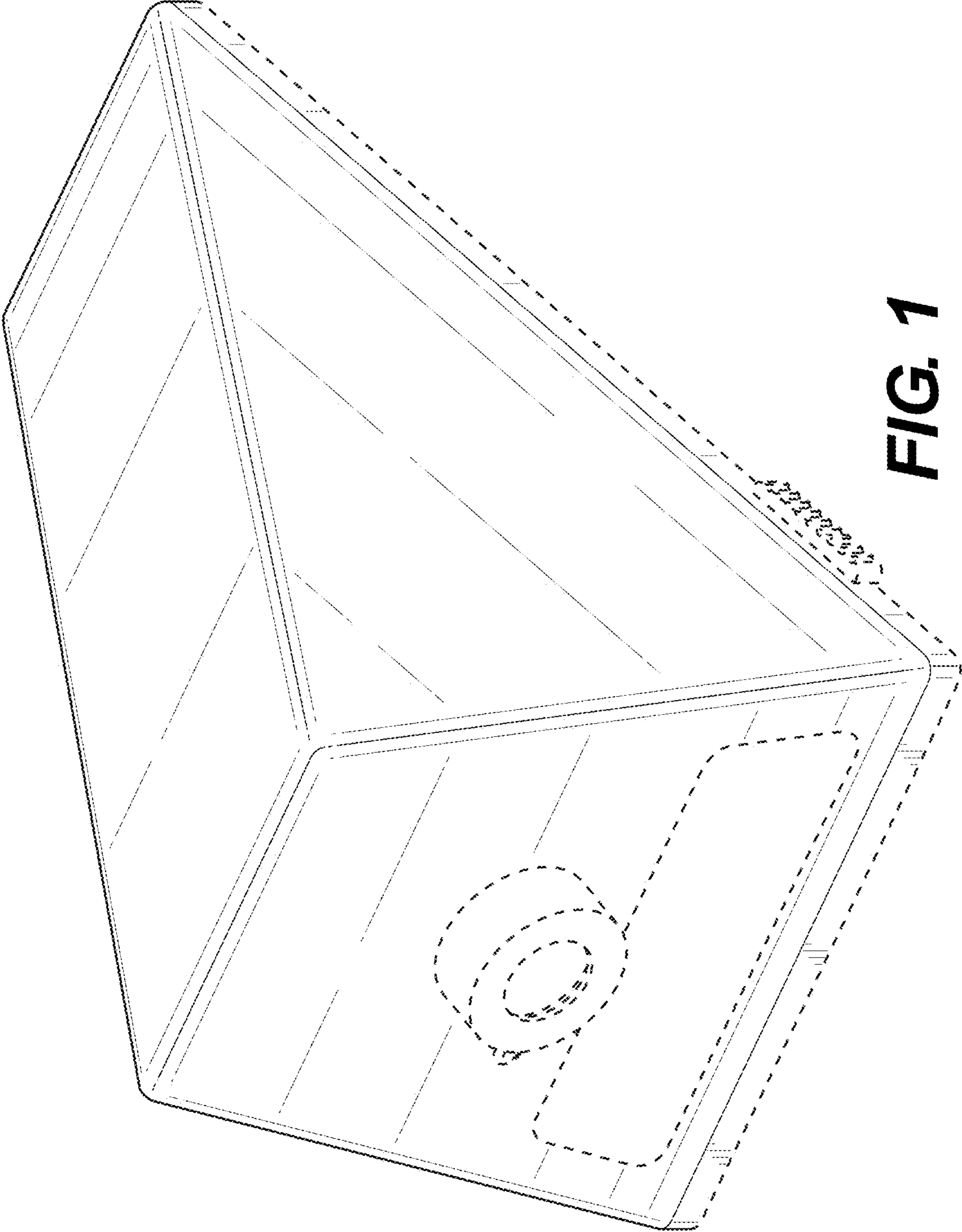
(56)

**References Cited**

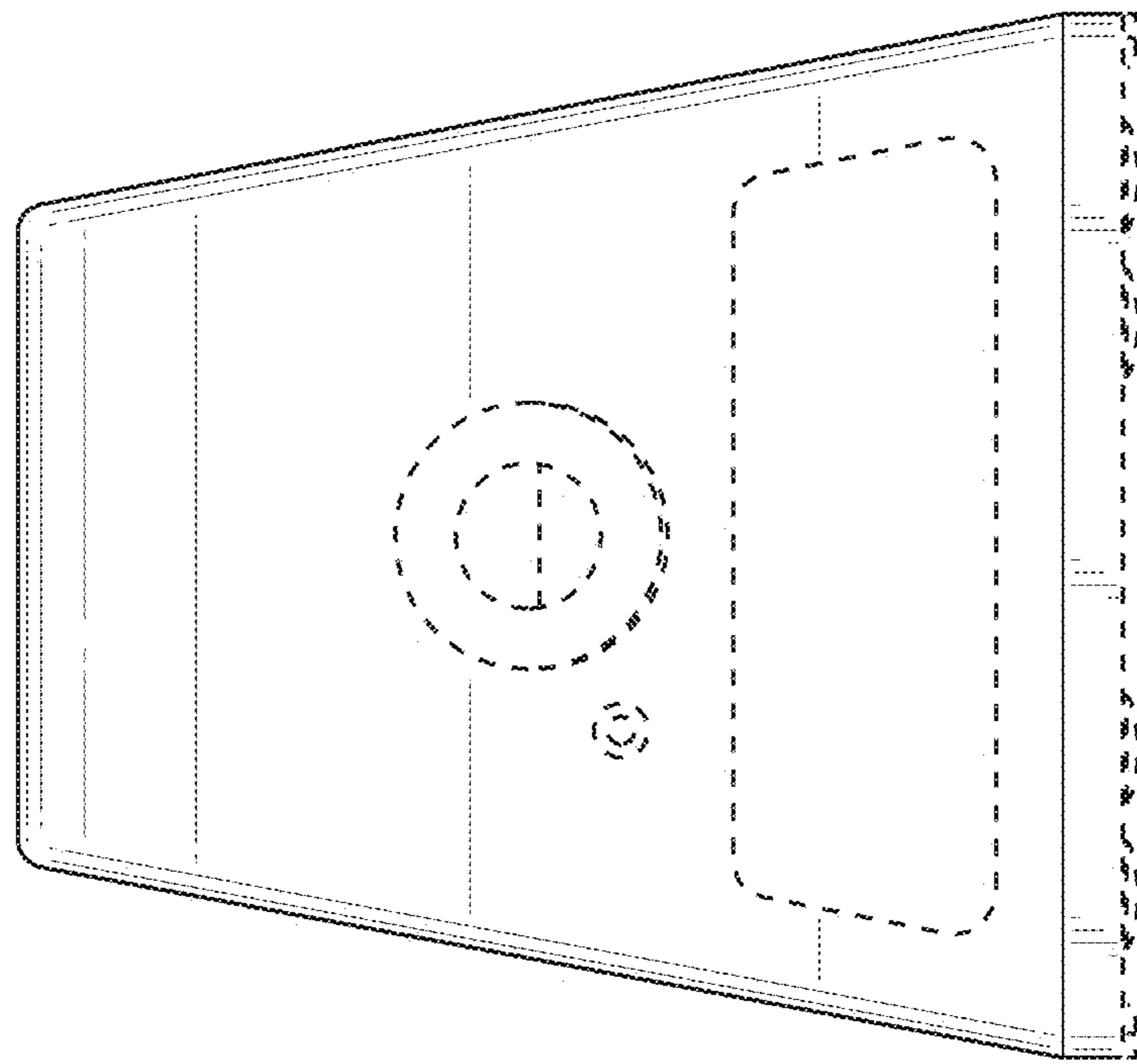
U.S. PATENT DOCUMENTS

2016/0135673 A1 5/2016 Miller et al.  
2019/0059713 A1 2/2019 Allen et al.  
2019/0082945 A1 3/2019 Eubanks

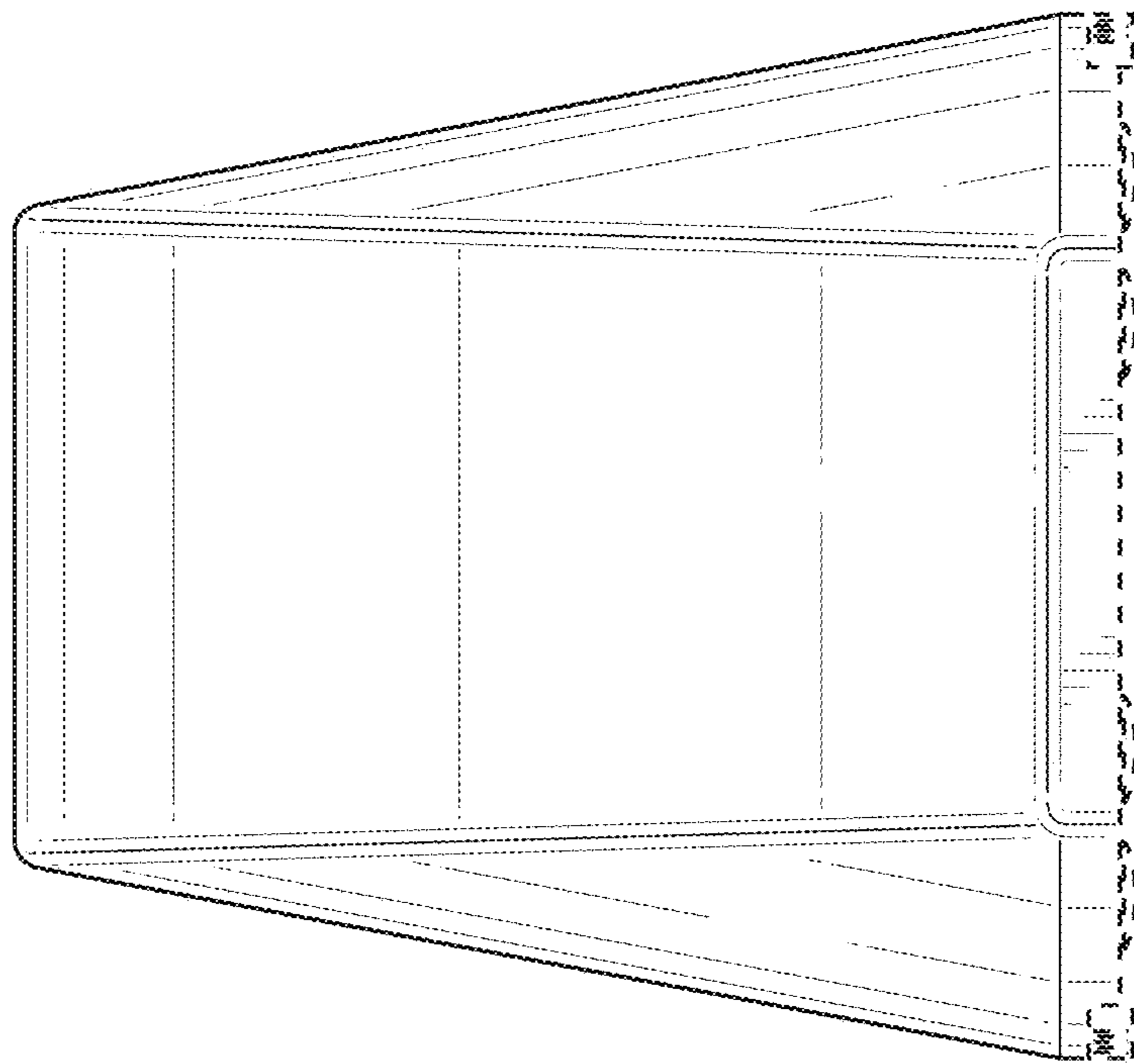
\* cited by examiner



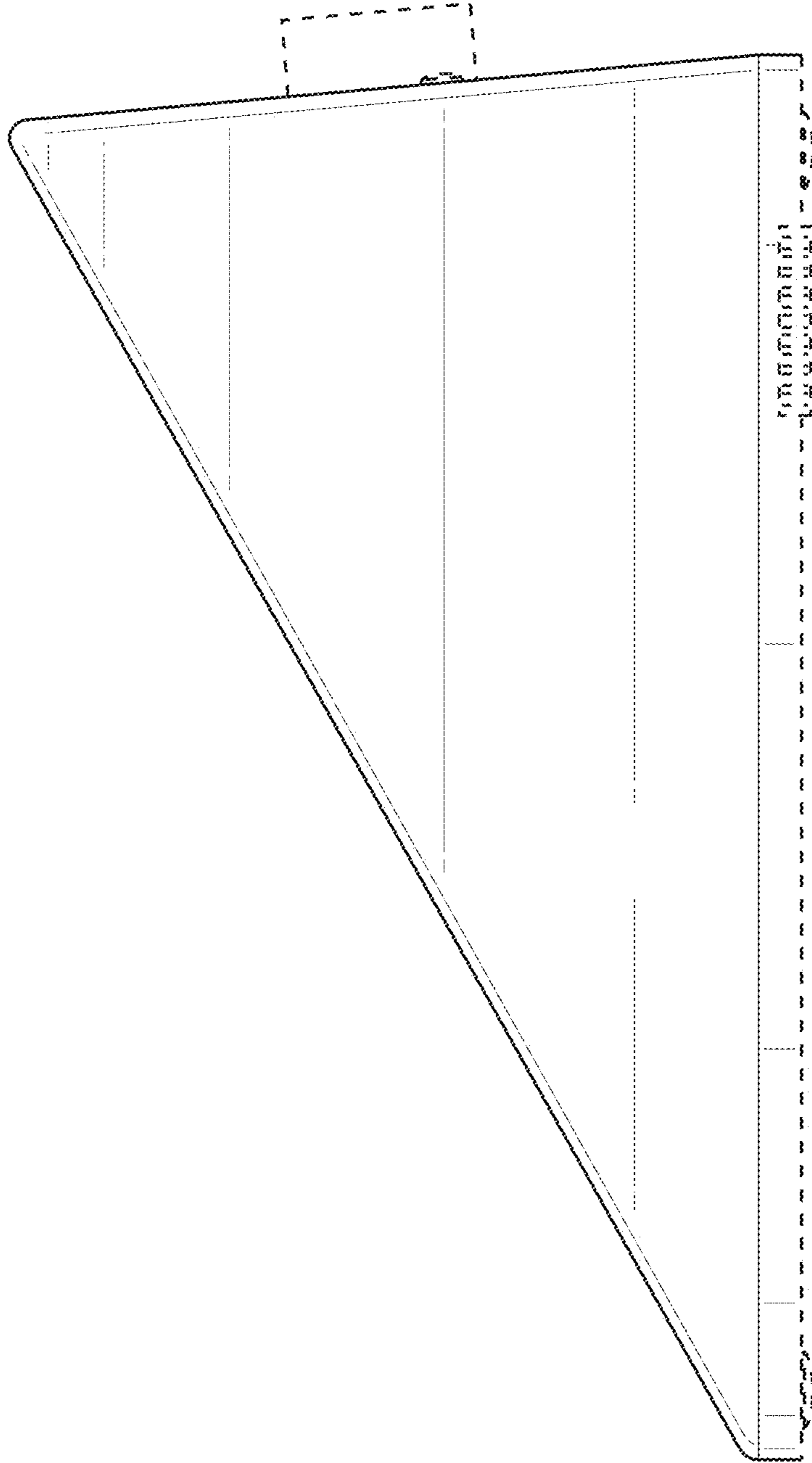
**FIG. 1**



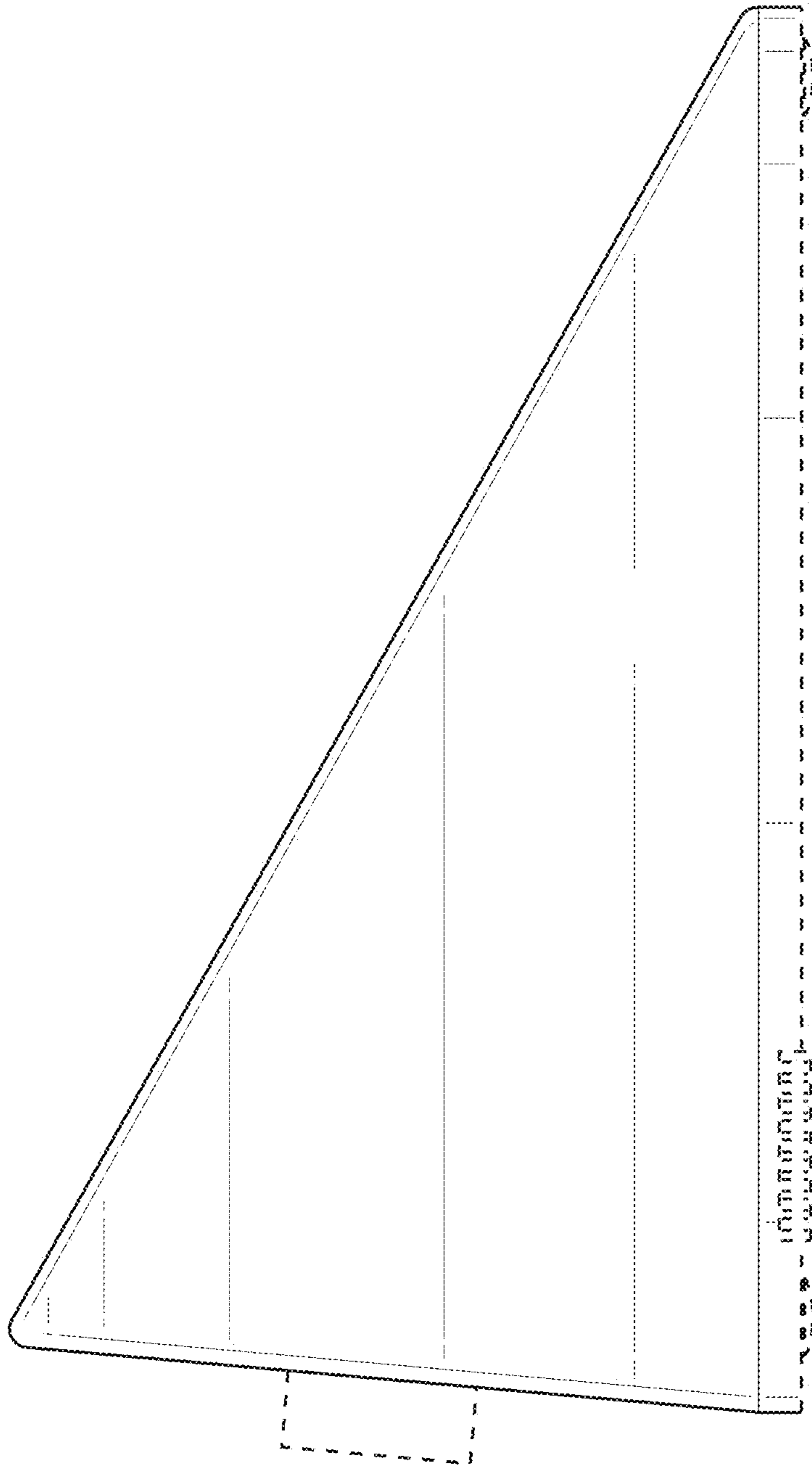
**FIG. 2**



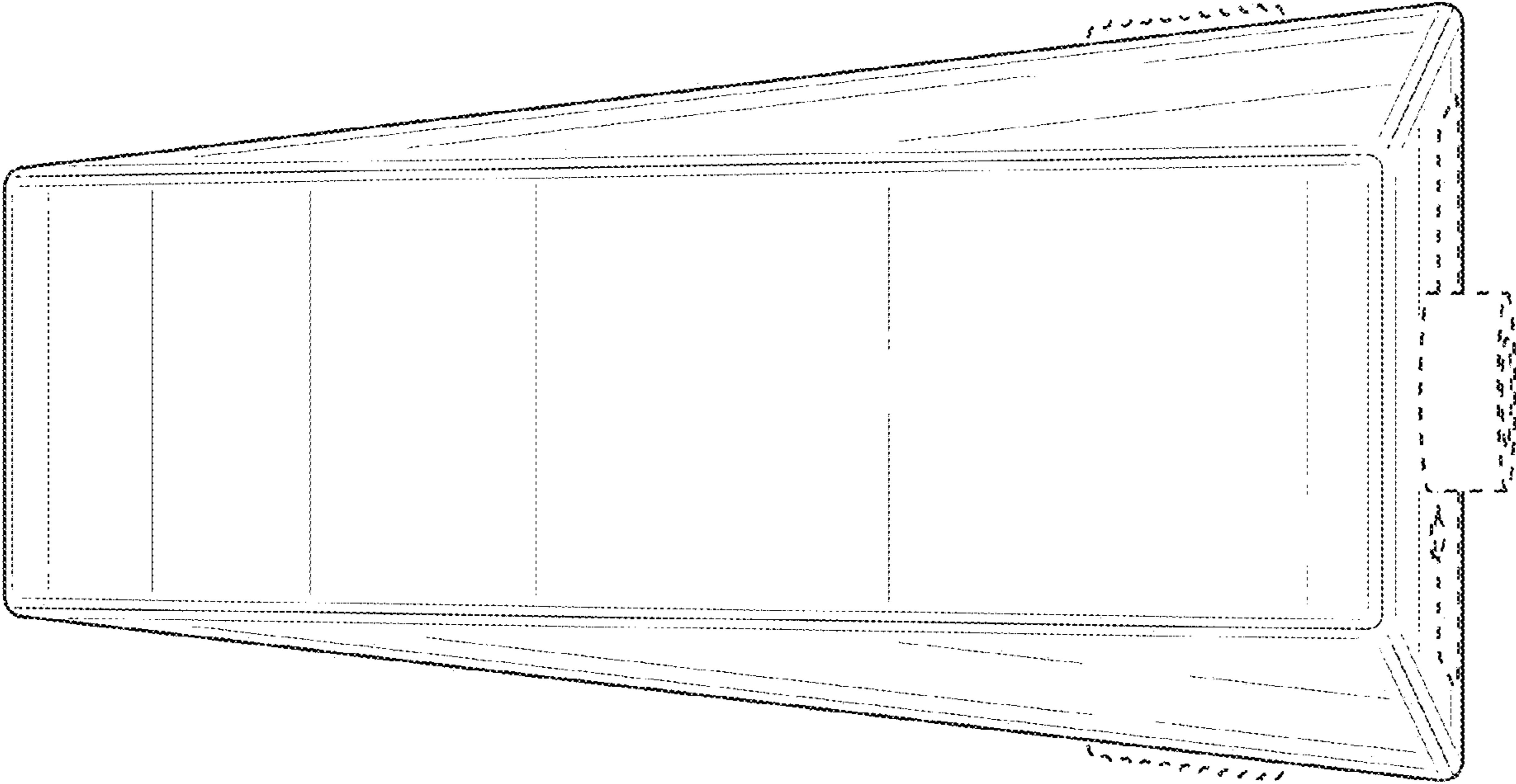
**FIG. 3**



**FIG. 4**

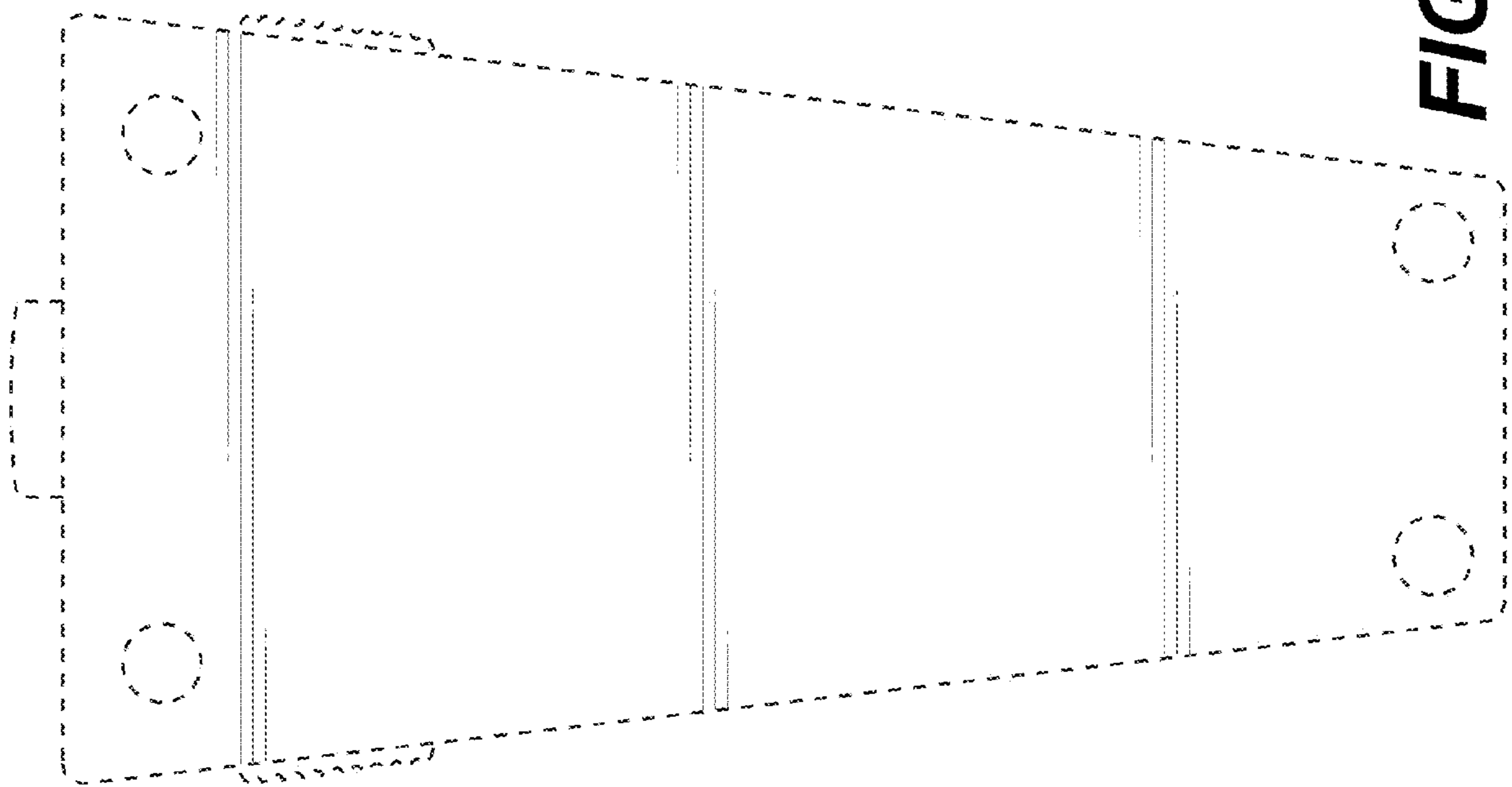


**FIG. 5**



**FIG. 6**





**FIG. 7**