



US00D942035S

(12) **United States Design Patent**
Suarez del Real Pena et al.

(10) **Patent No.:** **US D942,035 S**

(45) **Date of Patent:** **** Jan. 25, 2022**

- (54) **REMOVABLE SAMPLING PORT FOR A DRAIN BAG**
- (71) Applicant: **Fresenius Medical Care Holdings, Inc.**, Waltham, MA (US)
- (72) Inventors: **Diego Suarez del Real Pena**, Mission, TX (US); **Jorge Alexandre Flores**, Mission, TX (US); **Irving Uziel Hernandez Gomez**, Hidalgo, TX (US)

D431,864	S	*	10/2000	Jansen	D24/129
D457,247	S	*	5/2002	Iheme	D24/216
D631,542	S	*	1/2011	DeGross	D24/129
7,896,857	B2	*	3/2011	Kay	A61F 5/4408 604/317
D743,571	S	*	11/2015	Jackson	D24/216
D860,472	S	*	9/2019	Blake	D24/224
D884,188	S	*	5/2020	Godinez	D24/169
D903,898	S	*	12/2020	Nagy	D24/224
D913,521	S	*	3/2021	Hong	D24/224

* cited by examiner

- (73) Assignee: **Fresenius Medical Care Holdings, Inc.**, Waltham, MA (US)

Primary Examiner — Anhdao Doan

(74) *Attorney, Agent, or Firm* — Bass Patent Law, LLC

(**) Term: **15 Years**

(57) **CLAIM**

(21) Appl. No.: **29/749,768**

The ornamental design for a removable sampling port for a drain bag, as shown and described.

(22) Filed: **Sep. 9, 2020**

(51) **LOC (13) Cl.** **24-01**

(52) **U.S. Cl.**

USPC **D24/216**; D24/121

(58) **Field of Classification Search**

USPC D24/216, 219, 223–227, 231, 232, 233, D24/234, 119, 121, 133, 118, 127, 129, D24/169; D10/81; D9/503, 549

CPC A61B 10/007; A61B 5/208; A61F 5/4405; A61F 5/4407; A61F 5/445

See application file for complete search history.

DESCRIPTION

FIG. 1 is a top perspective view of a design for a removable sampling port for a drain bag; FIG. 2 is a front view thereof; FIG. 3 is a rear view thereof; FIG. 4 is a left side view thereof; FIG. 5 is a right side view thereof; FIG. 6 is a top view thereof; FIG. 7 is a bottom view thereof; FIG. 8 is an exploded view thereof; and, FIG. 9 is a side perspective thereof in a condition of use.

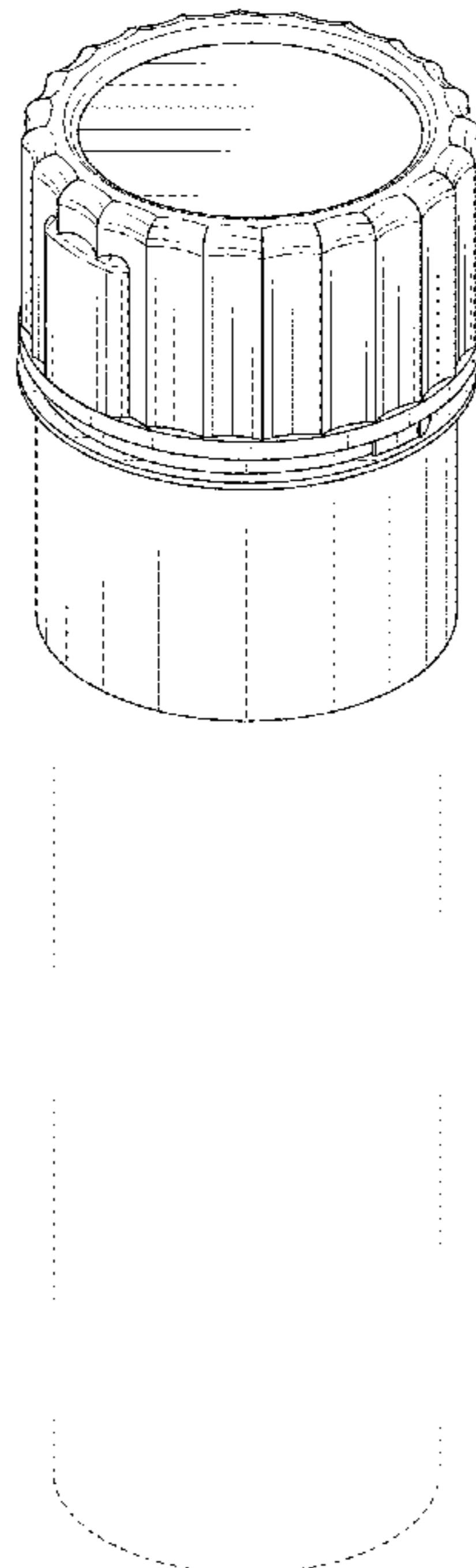
The broken lines depicting a drain bag and a tube in FIG. 9 represent environment subject matter and form no part of the claimed design, and the remaining broken lines in the drawings illustrate portions of the removable sampling port that form no part of the claimed design.

(56) **References Cited**

U.S. PATENT DOCUMENTS

4,300,560	A	*	11/1981	Steer	A61F 5/445 604/335
D296,360	S	*	6/1988	Oelberg	D24/122
D303,714	S	*	9/1989	Manshot	D24/118
D406,643	S	*	3/1999	Niedospial, Jr.	D24/112

1 Claim, 6 Drawing Sheets



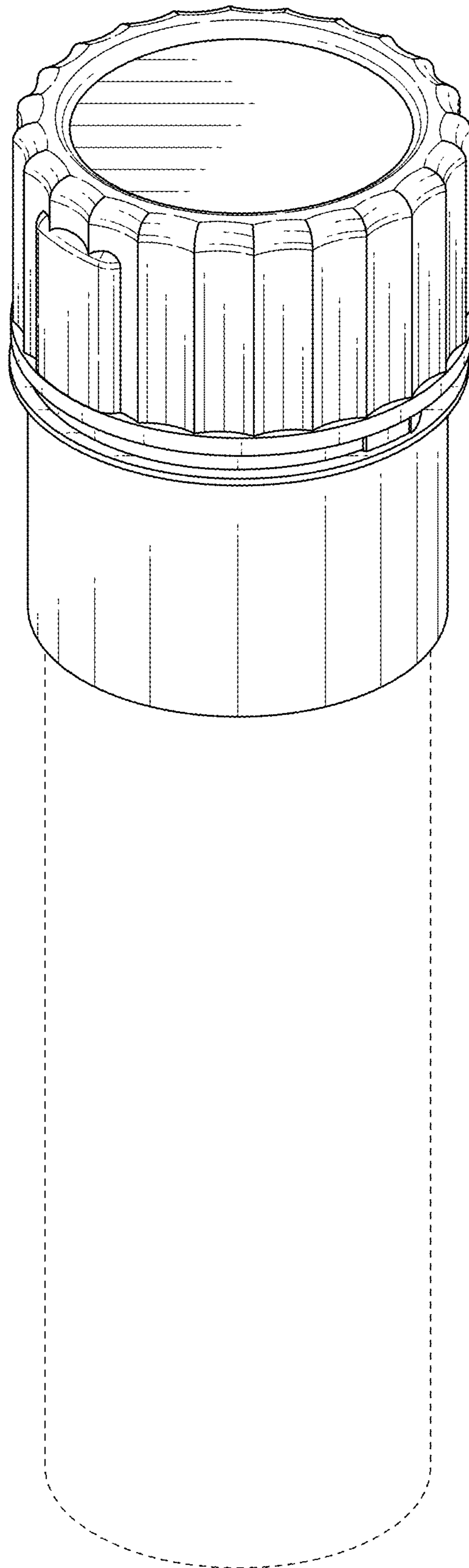


FIG. 1

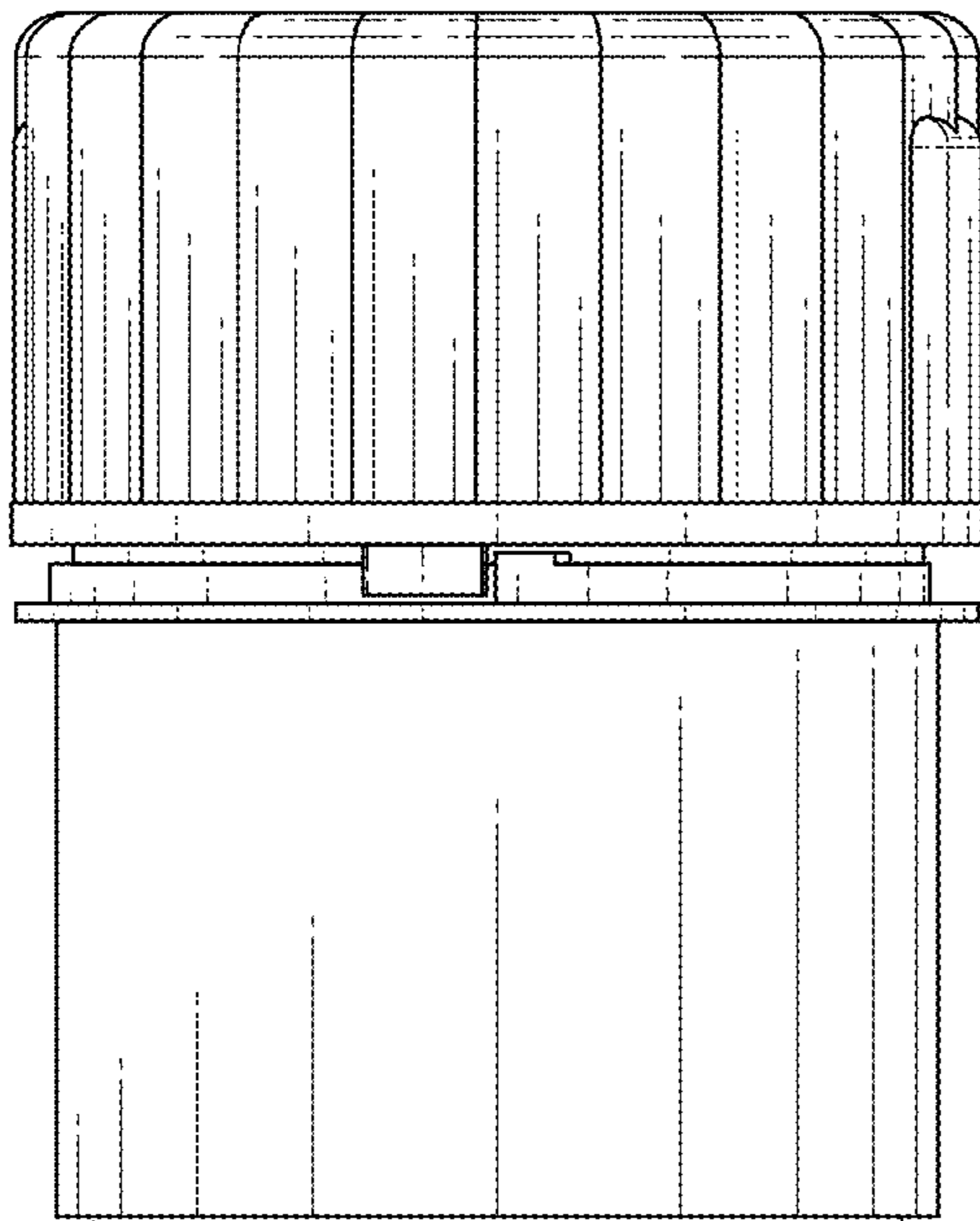


FIG. 2

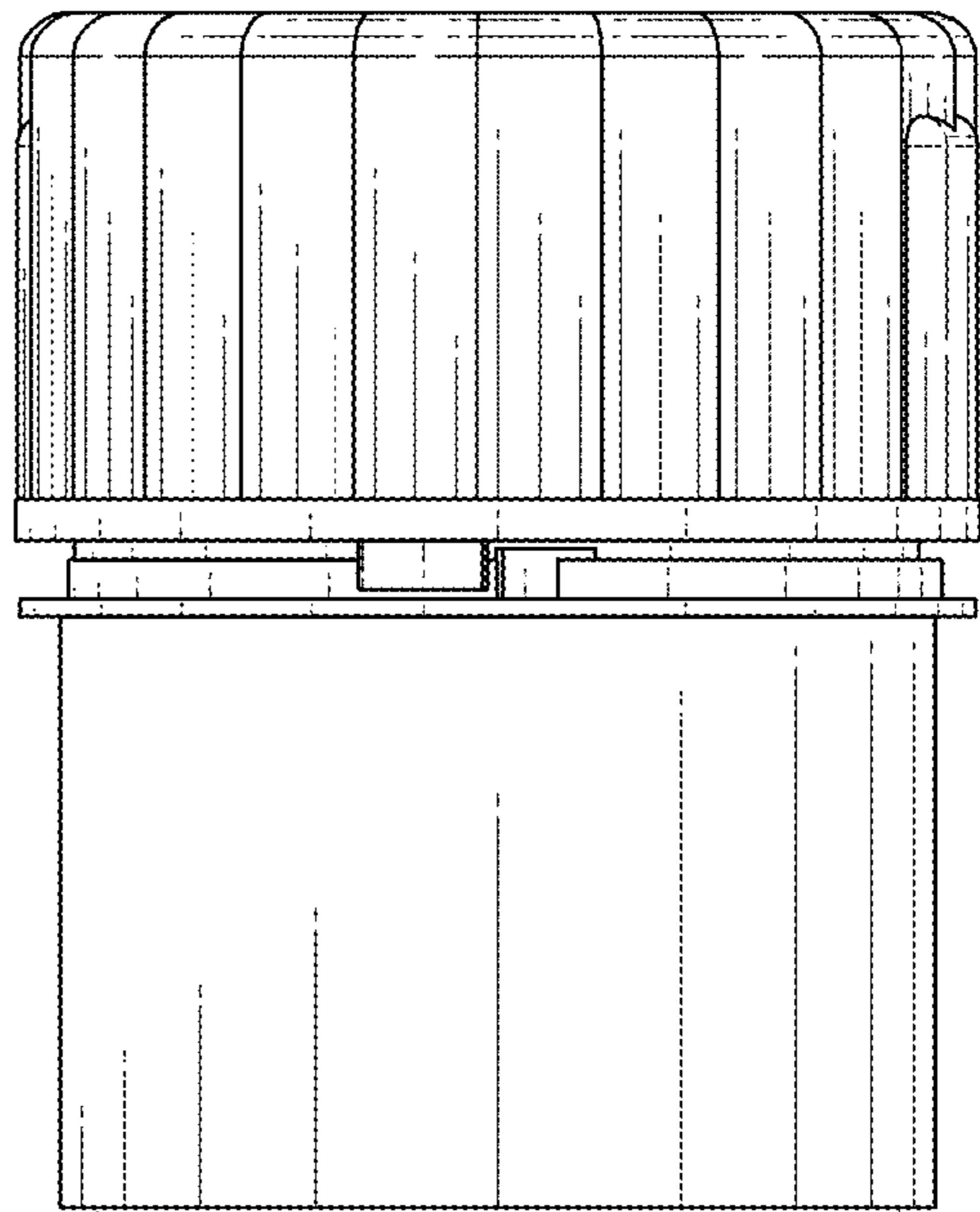


FIG. 3

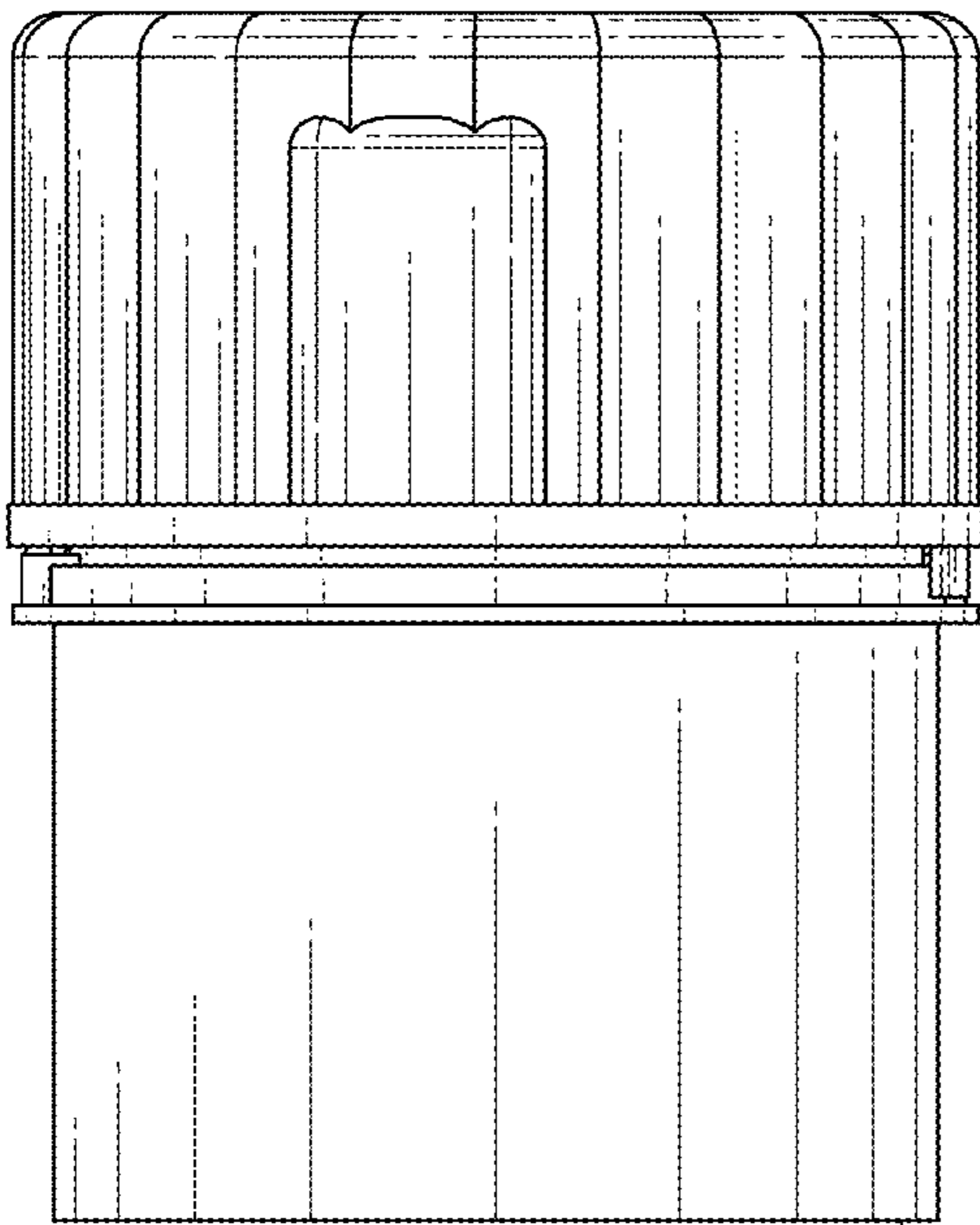


FIG. 4

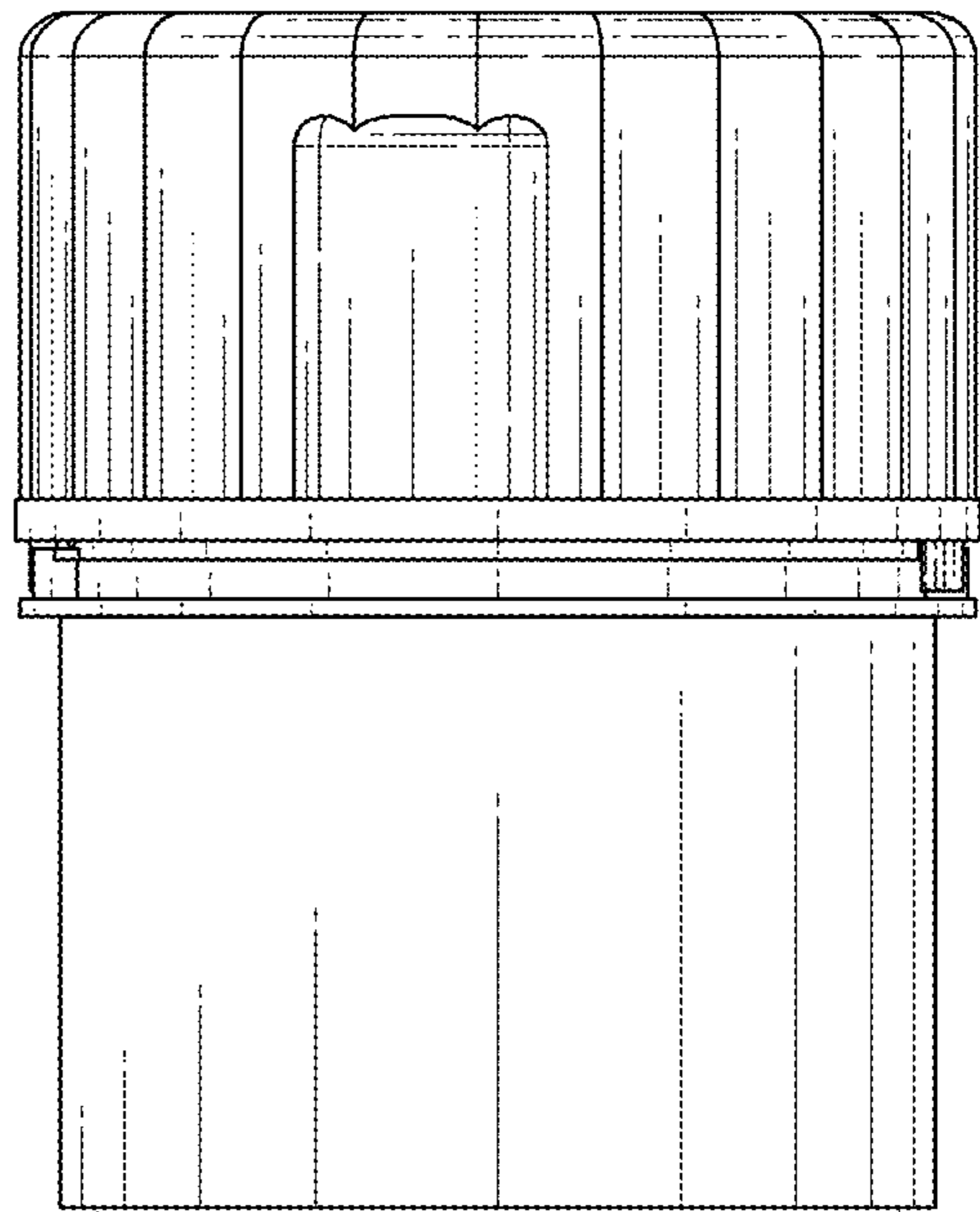


FIG. 5

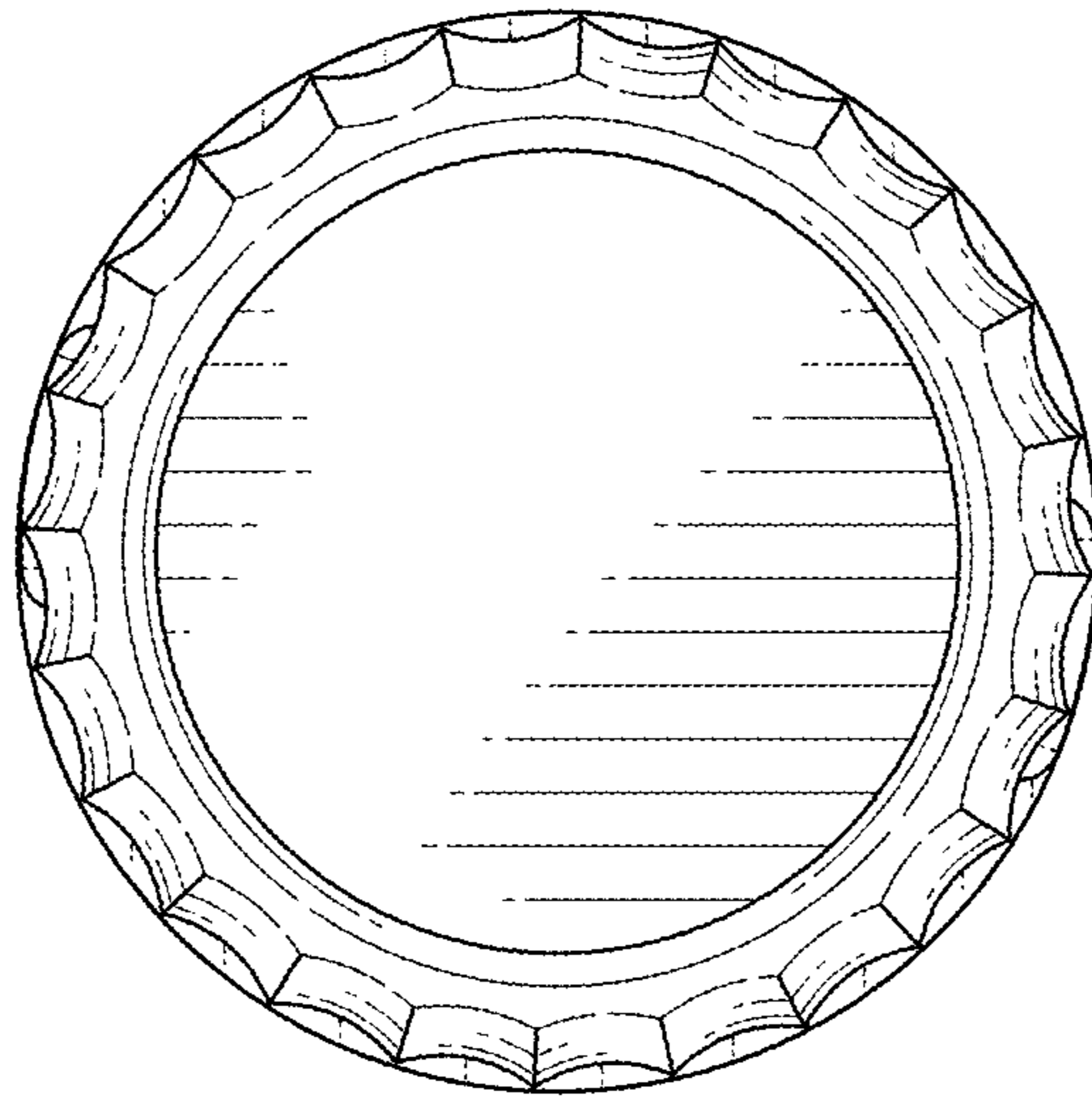


FIG. 6

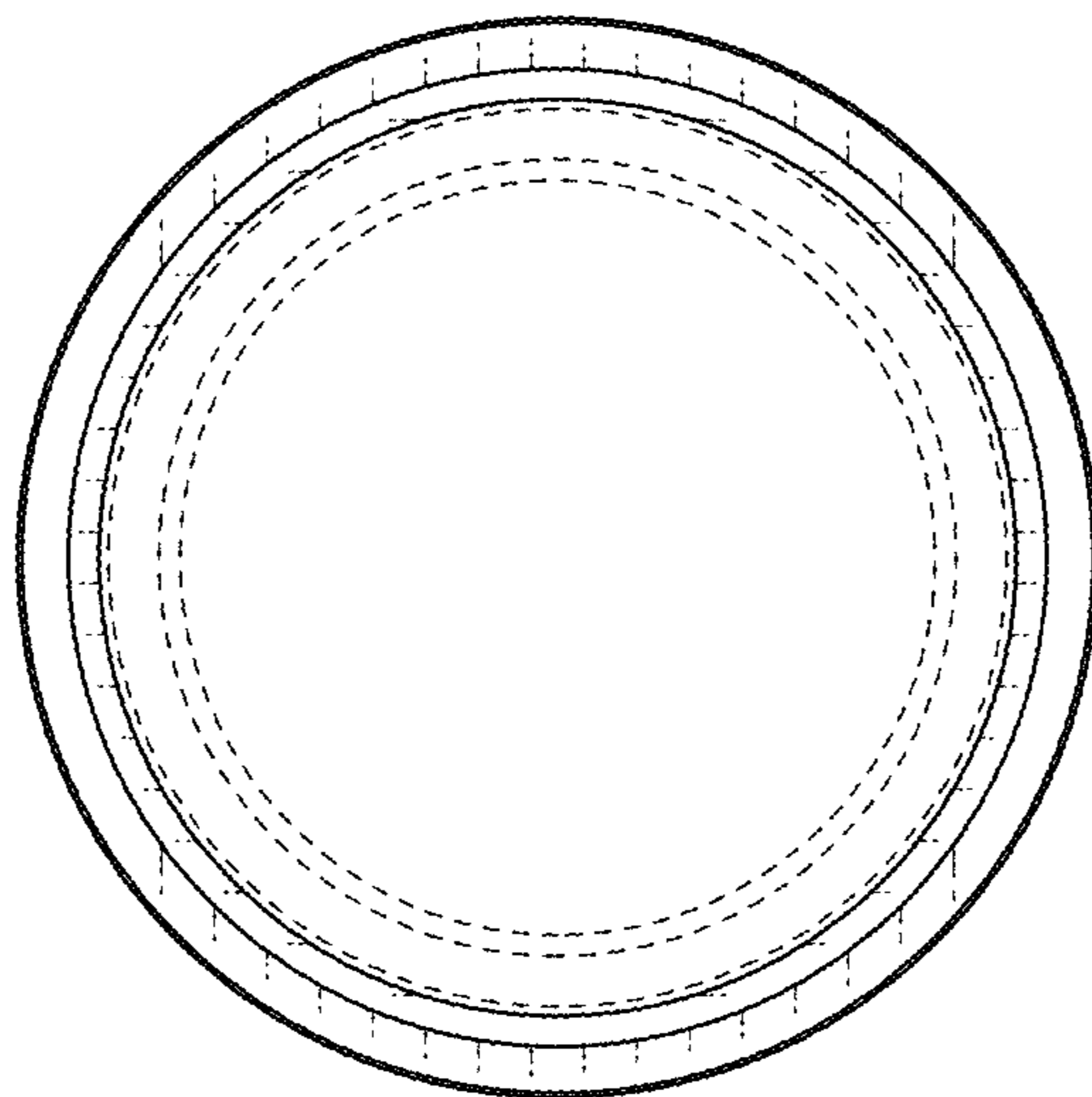


FIG. 7

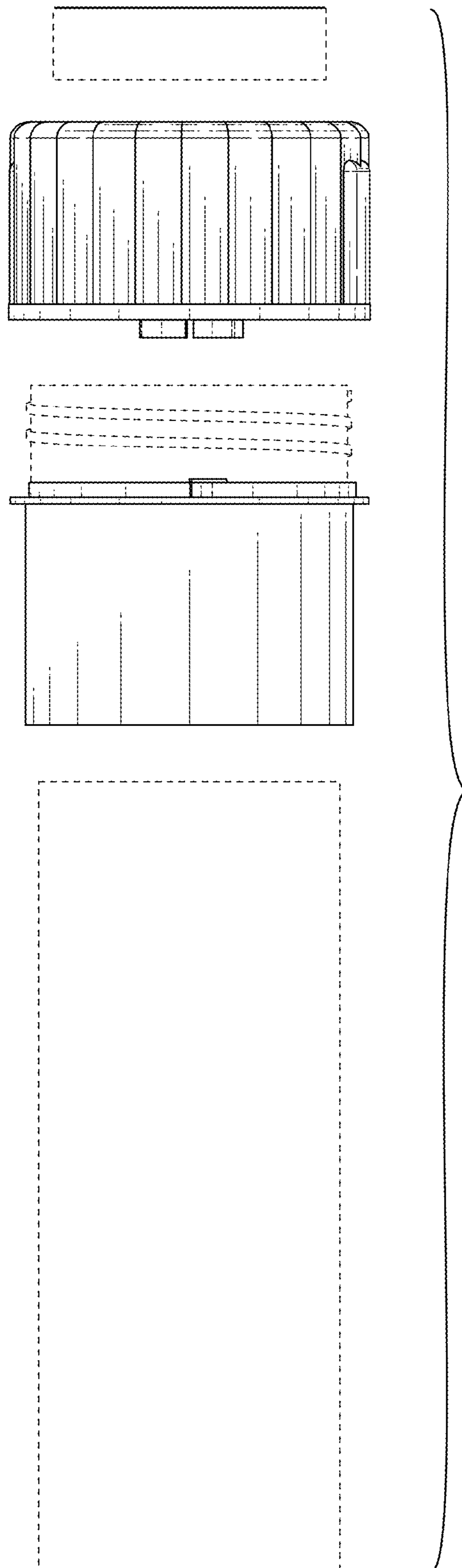


FIG. 8

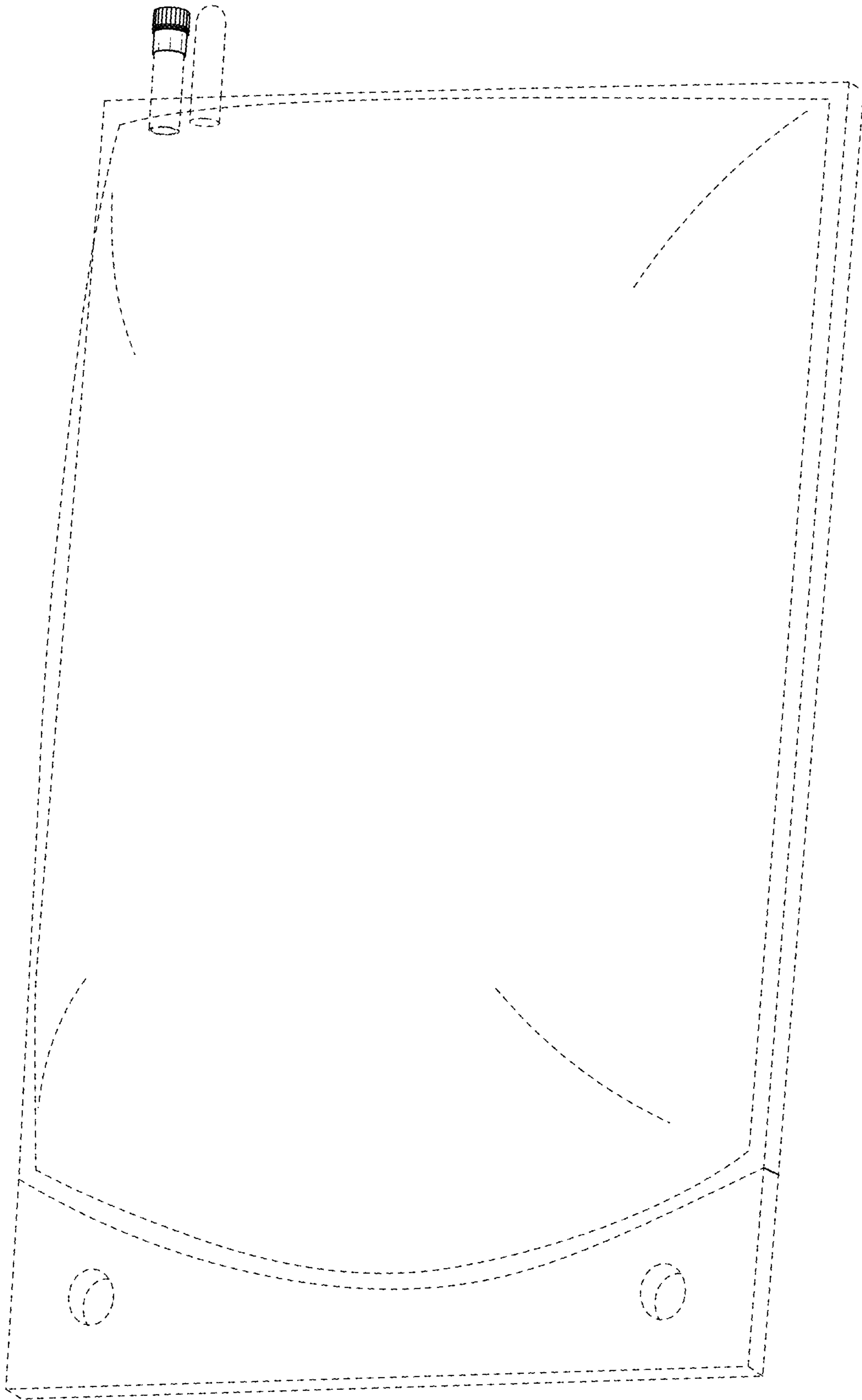


FIG. 9