



US00D942033S

(12) **United States Design Patent** (10) **Patent No.:** **US D942,033 S**
Osmus et al. (45) **Date of Patent:** **** Jan. 25, 2022**

(54) **REAGENT CARTRIDGE**

(71) Applicant: **Illumina, Inc.**, San Diego, CA (US)
(72) Inventors: **James Osmus**, San Diego, CA (US);
Erik Allegoren, San Diego, CA (US);
James Blake, San Diego, CA (US);
Philip Paik, San Diego, CA (US); **Jay Taylor**, San Diego, CA (US); **Jack Godfrey-Wood**, San Diego, CA (US)

(73) Assignee: **Illumina, Inc.**, San Diego, CA (US)

(**) Term: **15 Years**

(21) Appl. No.: **29/714,656**

(22) Filed: **Nov. 25, 2019**

(51) **LOC (13) Cl.** **24-01**

(52) **U.S. Cl.**
USPC **D24/216**

(58) **Field of Classification Search**

USPC D24/107, 186, 216, 219, 220, 221,
D24/223–227, 231, 232; D10/81
CPC B01L 3/5027; B01L 3/50273; B01L
3/502738; B01L 2300/0609; B01L
2300/0672; B01L 2300/0829; B01L
2200/025; B01L 2200/026; B01L
2200/028; B01L 2200/16; G01N 21/01;
G01N 21/75

See application file for complete search history.

(56) **References Cited**

U.S. PATENT DOCUMENTS

D333,630 S 3/1993 Marks
D351,913 S 10/1994 Hieb et al.
D639,975 S 6/2011 Doyle et al.

(Continued)

OTHER PUBLICATIONS

Osmus et al., “Reagent Cartridge”, U.S. Appl. No. 29/714,653, filed Nov. 25, 2019.

(Continued)

Primary Examiner — Anhdao Doan

(74) *Attorney, Agent, or Firm* — Heslin Rothenberg Farley & Mesiti, P.C.

(57) **CLAIM**

We claim the ornamental design for a reagent cartridge, as shown and described.

DESCRIPTION

FIG. 1 is a top right, front perspective view of the reagent cartridge comprising our new design;

FIG. 2 is a top left, front perspective view of the design in FIG. 1;

FIG. 3 is a top plan view of the design in FIG. 1;

FIG. 4 is a bottom plan of the design of FIG. 1;

FIG. 5 is a left side elevational view of the design of FIG. 1;

FIG. 6 is a right side elevational view of the design of FIG. 1;

FIG. 7 is a rear elevational view of the design of FIG. 1;

FIG. 8 is an enlarged front elevational view of the design of FIG. 1;

FIG. 9 is a top right, front perspective view of an alternate embodiment of a reagent cartridge comprising our new design;

FIG. 10 is a top left, front perspective view of the design in FIG. 9;

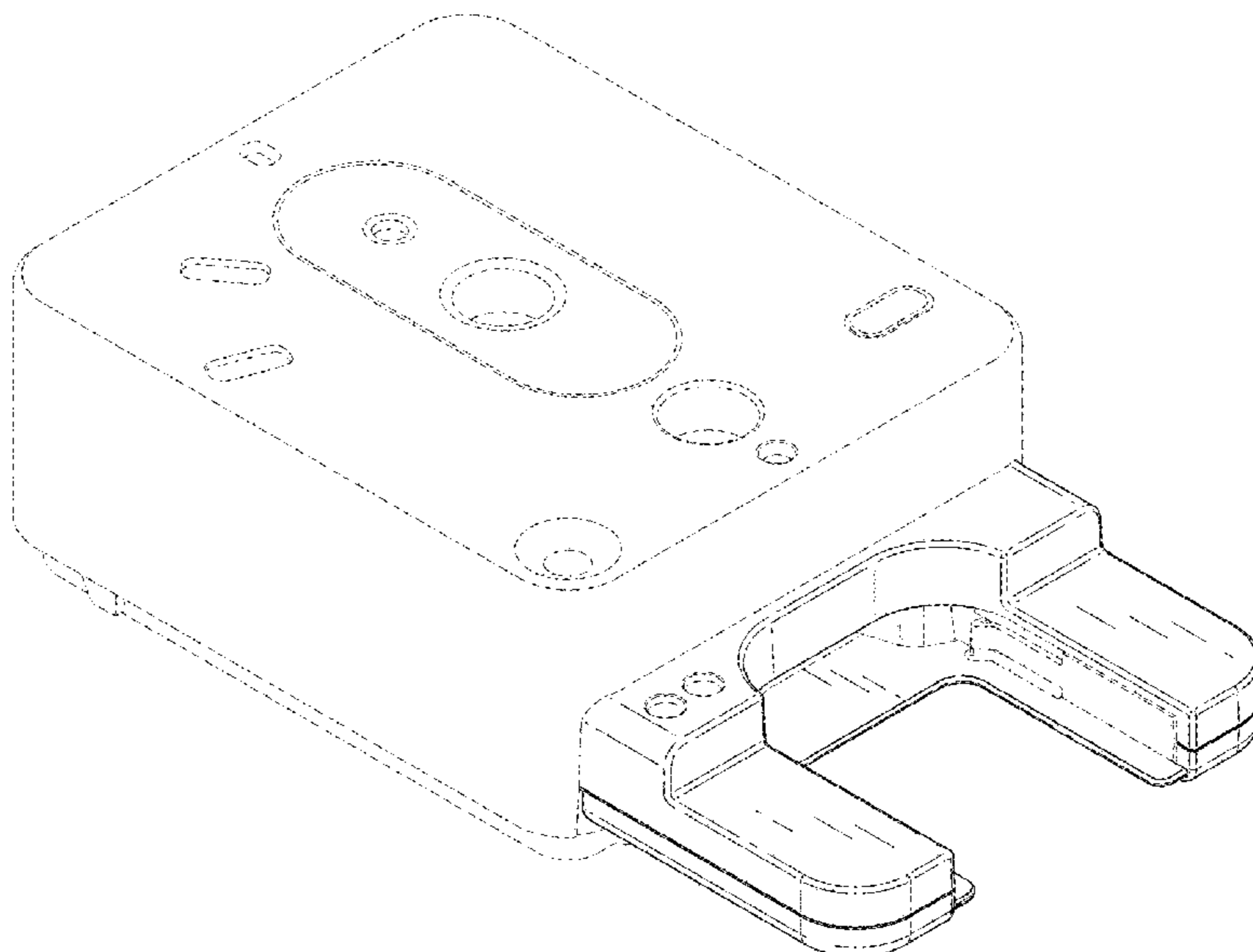
FIG. 11 is a top plan view of the design of FIG. 9;

FIG. 12 is a bottom plan view of the design of FIG. 9; and, FIG. 13 is an enlarged front elevational view of the design of FIG. 9.

The left, right and rear elevational views for the alternate embodiments shown in FIG. 9 are identical to the views shown in FIGS. 5-7.

The broken lines shown in the drawings illustrate portions of the reagent cartridge that form no part of the claimed design.

1 Claim, 12 Drawing Sheets



(56)

References Cited

U.S. PATENT DOCUMENTS

D729,403 S 5/2015 Hage et al.
 D745,698 S 12/2015 Hage et al.
 D750,272 S 2/2016 Hage et al.
 D752,770 S 3/2016 Kuhn et al.
 D766,457 S * 9/2016 Cia D24/232
 D768,870 S 10/2016 Kuhn et al.
 D785,811 S 5/2017 Watts et al.
 D794,817 S 8/2017 Yi et al.
 D794,818 S 8/2017 Yi et al.
 D794,819 S 8/2017 Yi et al.
 D800,336 S 10/2017 Chang et al.
 D800,912 S 10/2017 Uzri et al.
 D819,829 S 6/2018 Osmus et al.
 D825,078 S 8/2018 Osmus et al.
 D840,050 S 2/2019 Schulz et al.
 D843,009 S 3/2019 Watts et al.
 D847,368 S * 4/2019 Edwards D24/223
 D851,275 S 6/2019 Spuhler et al.
 10,343,160 B2 7/2019 Lemoine et al.
 D861,914 S 10/2019 Blake et al.
 D864,411 S 10/2019 Dangelo et al.
 D864,412 S 10/2019 Dangelo et al.
 D865,213 S 10/2019 Dangelo et al.
 D865,214 S 10/2019 Dangelo et al.
 D865,215 S 10/2019 Dangelo et al.
 D875,271 S 2/2020 Ringold et al.
 D877,356 S 3/2020 Clive-Smith et al.

D895,146 S * 9/2020 Osmus D24/232
 D913,518 S * 3/2021 Osmus D24/216
 2017/0016060 A1 1/2017 Sabounchi et al.
 2017/0209865 A1 7/2017 Carrano et al.
 2018/0117587 A1 5/2018 Lemoine et al.
 2020/0110108 A1 4/2020 Cox-Muranami et al.
 2020/0171502 A1* 6/2020 Kumar B01L 3/527
 2021/0170406 A1* 6/2021 Wang G01N 35/04

OTHER PUBLICATIONS

Osmus et al., "Reagent Cartridge", U.S. Appl. No. 29/714,705, filed Nov. 25, 2019.
 Osmus et al., "Flow Cell Cartridge", U.S. Appl. No. 29/714,660, filed Nov. 25, 2019.
 Taylor et al., "Flow Cell Cartridge", U.S. Appl. No. 29/714,671, filed Nov. 25, 2019.
 Taylor et al., "Flow Cell", U.S. Appl. No. 29/714,672, filed Nov. 25, 2019.
 Osmus et al., "Sequencing Cartridge Assembly", U.S. Appl. No. 29/714,661, filed Nov. 25, 2019.
 Taylor et al., "Cartridge Cover", U.S. Appl. No. 29/714,669, filed Nov. 25, 2019.
 Osmus et al., "Reagent Cartridge", U.S. Appl. No. 29/714,706, filed Nov. 25, 2019.
 Taylor et al., "Flow Cell Cartridge", U.S. Appl. No. 29/714,665, filed Nov. 25, 2019.

* cited by examiner

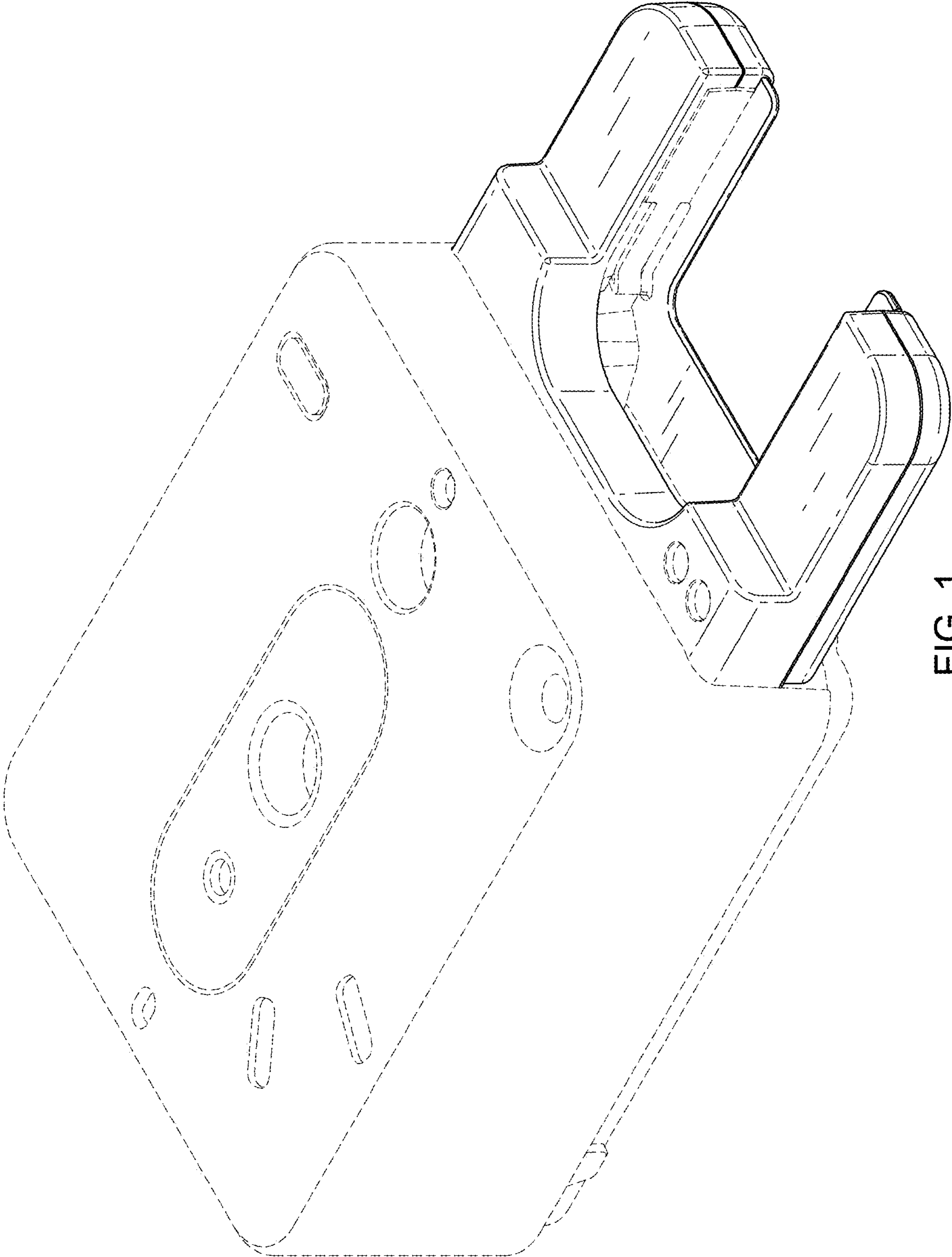


FIG. 1

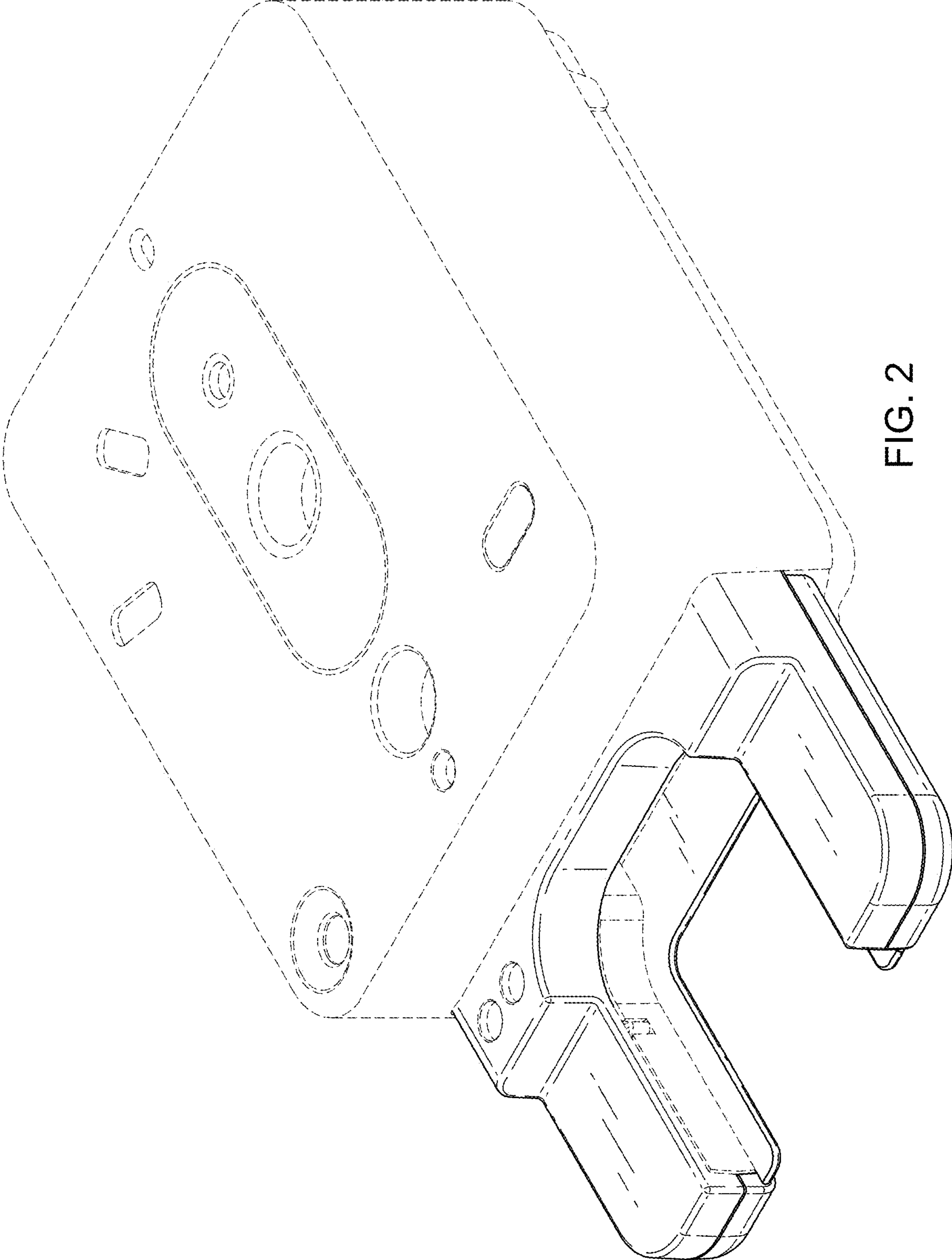


FIG. 2

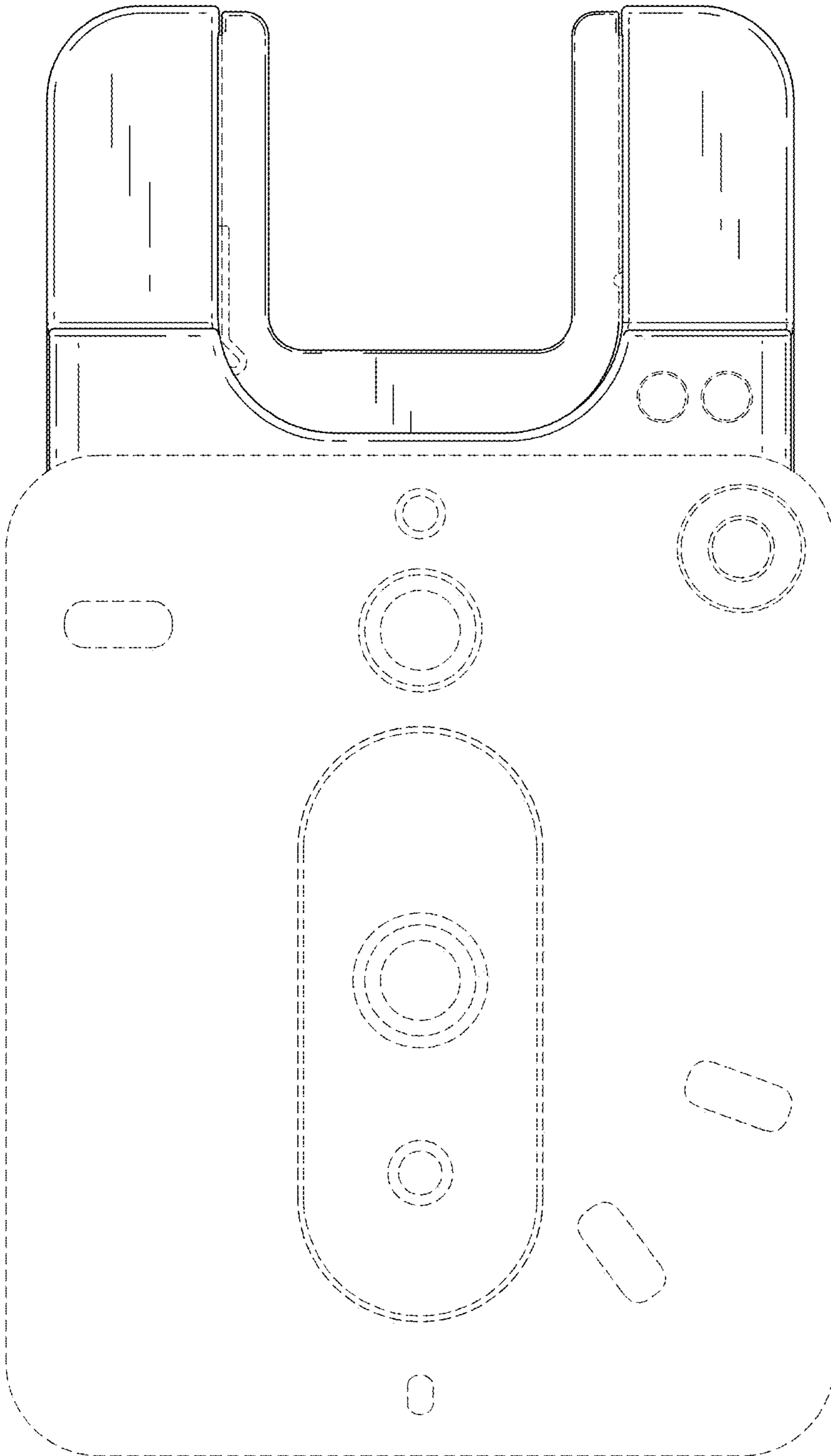


FIG. 3

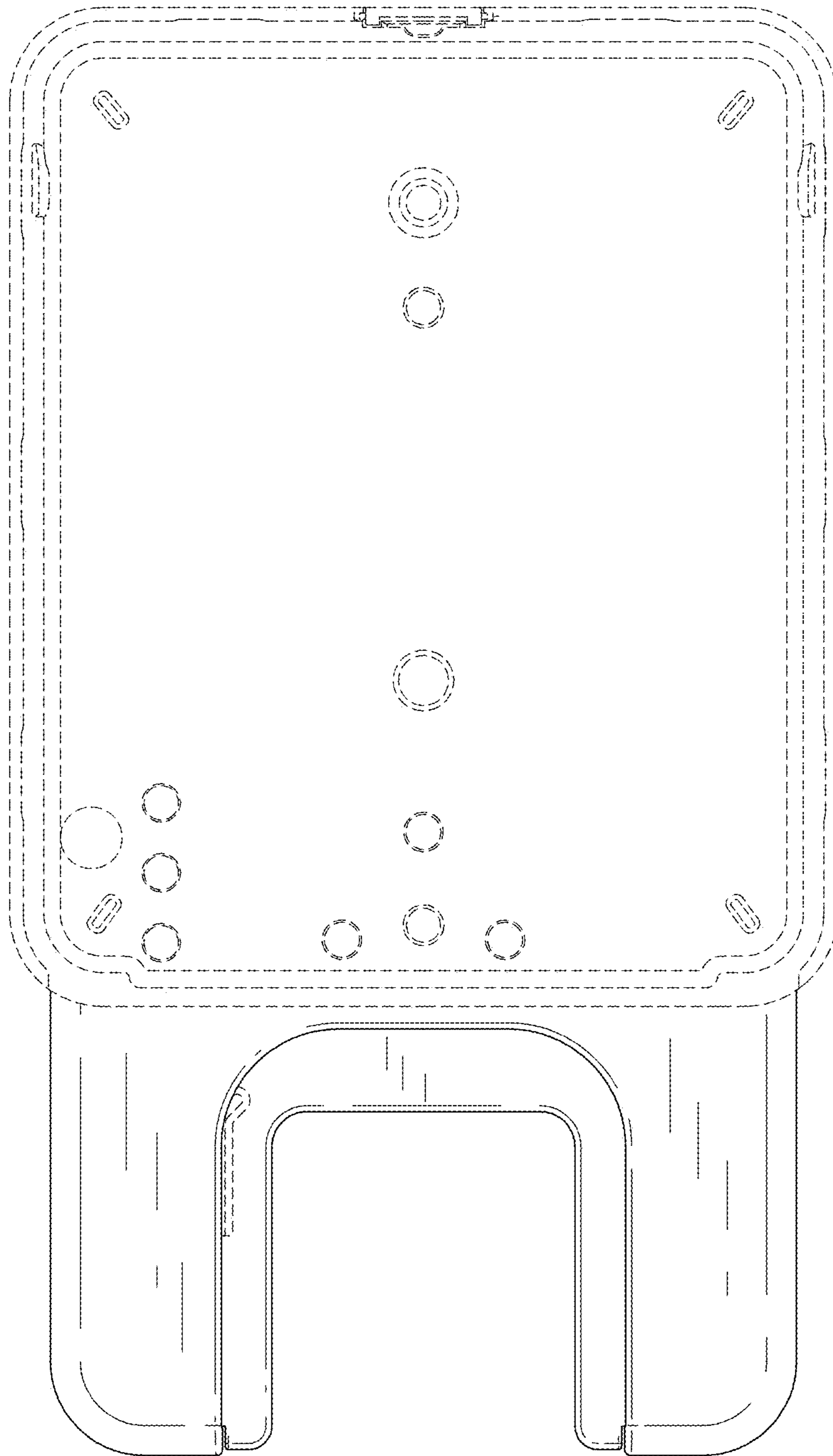


FIG. 4

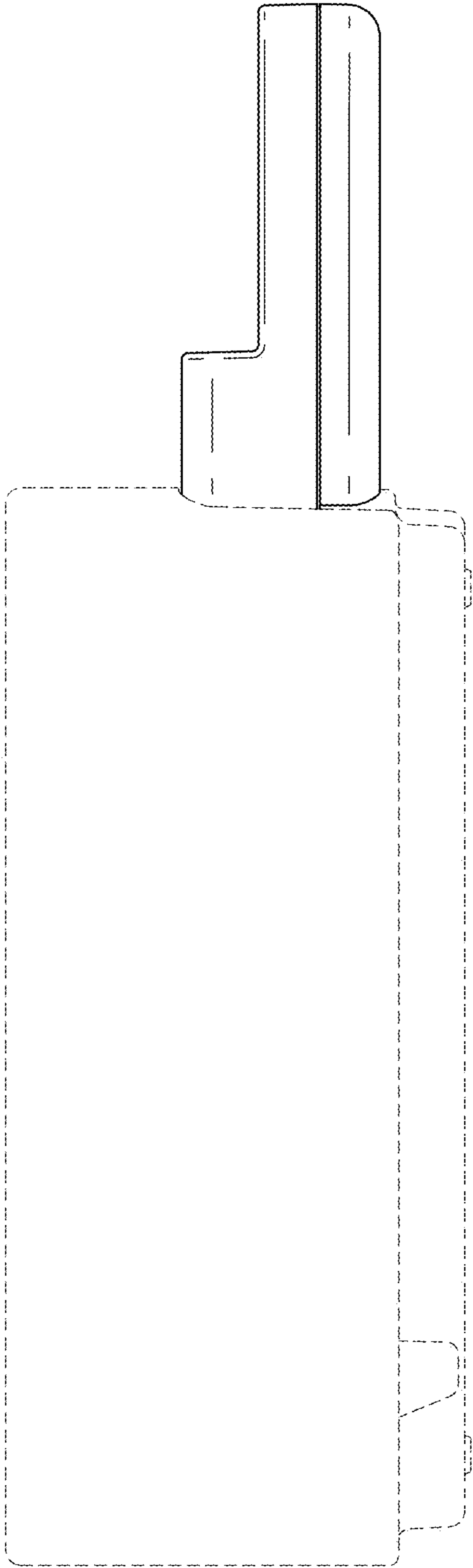


FIG. 5

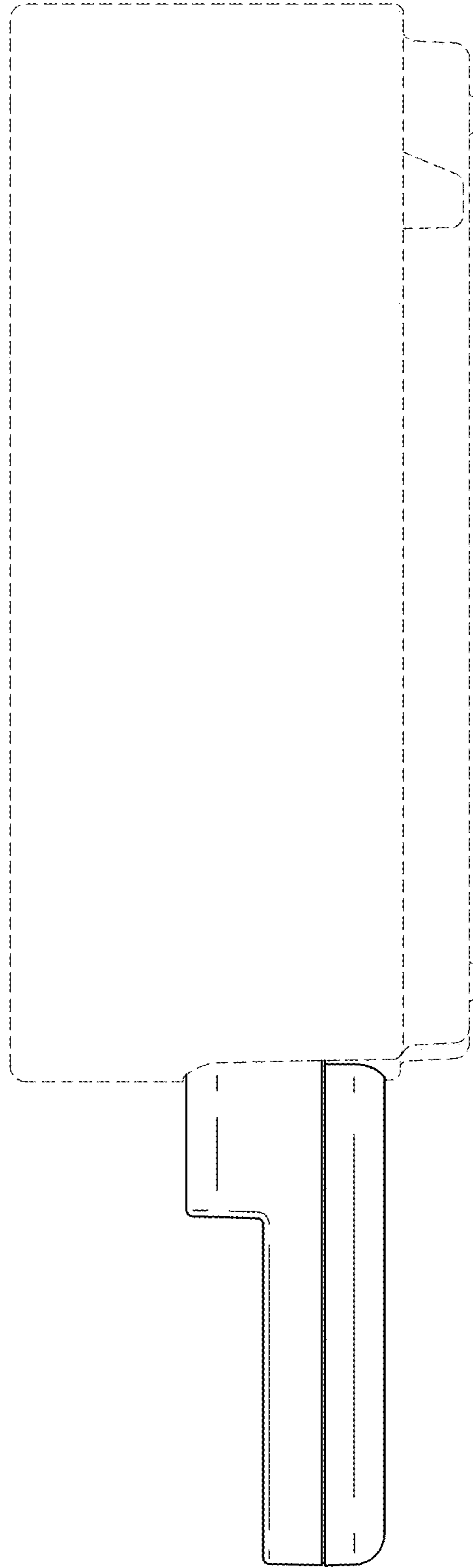


FIG. 6

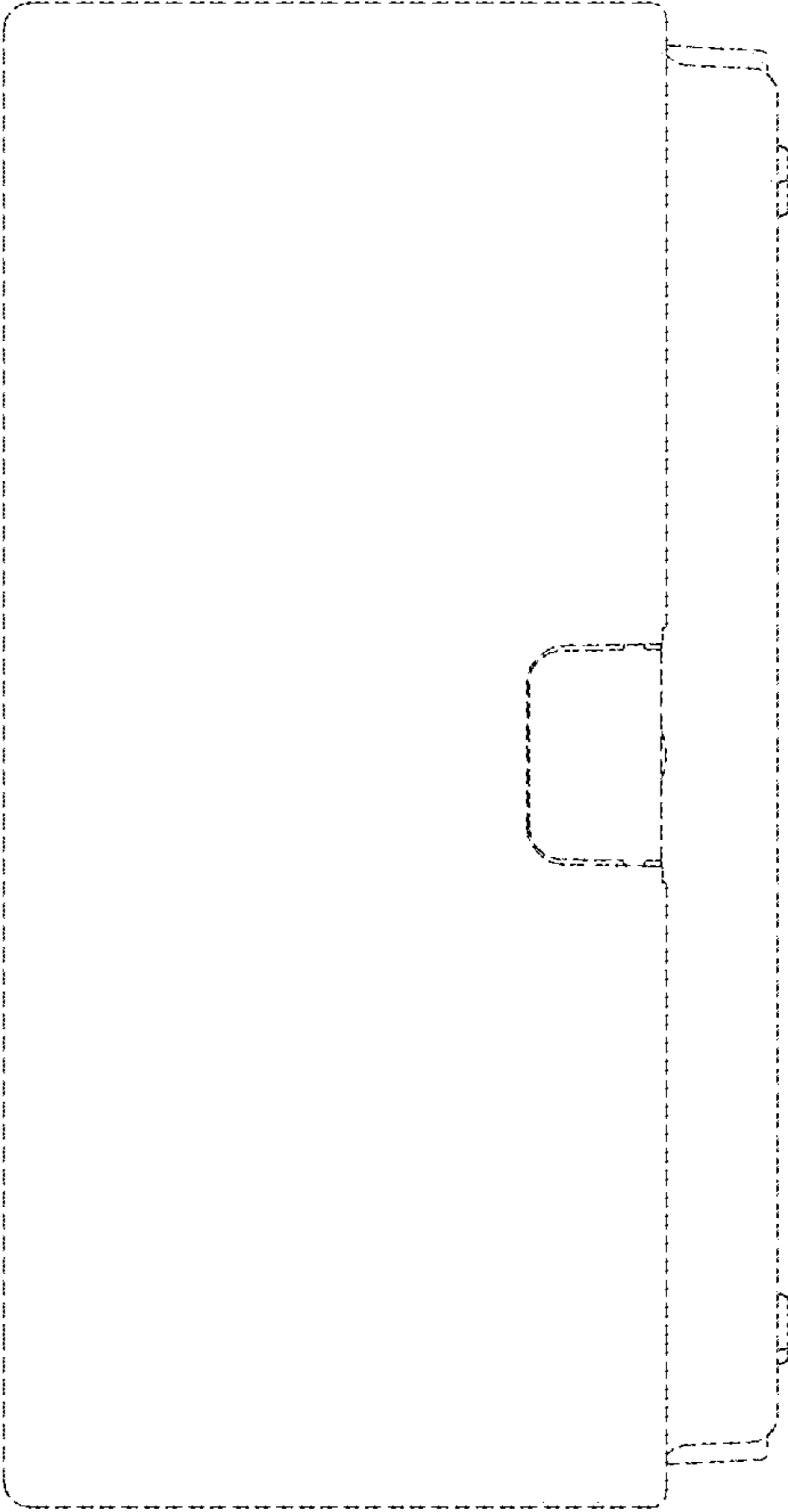


FIG. 7

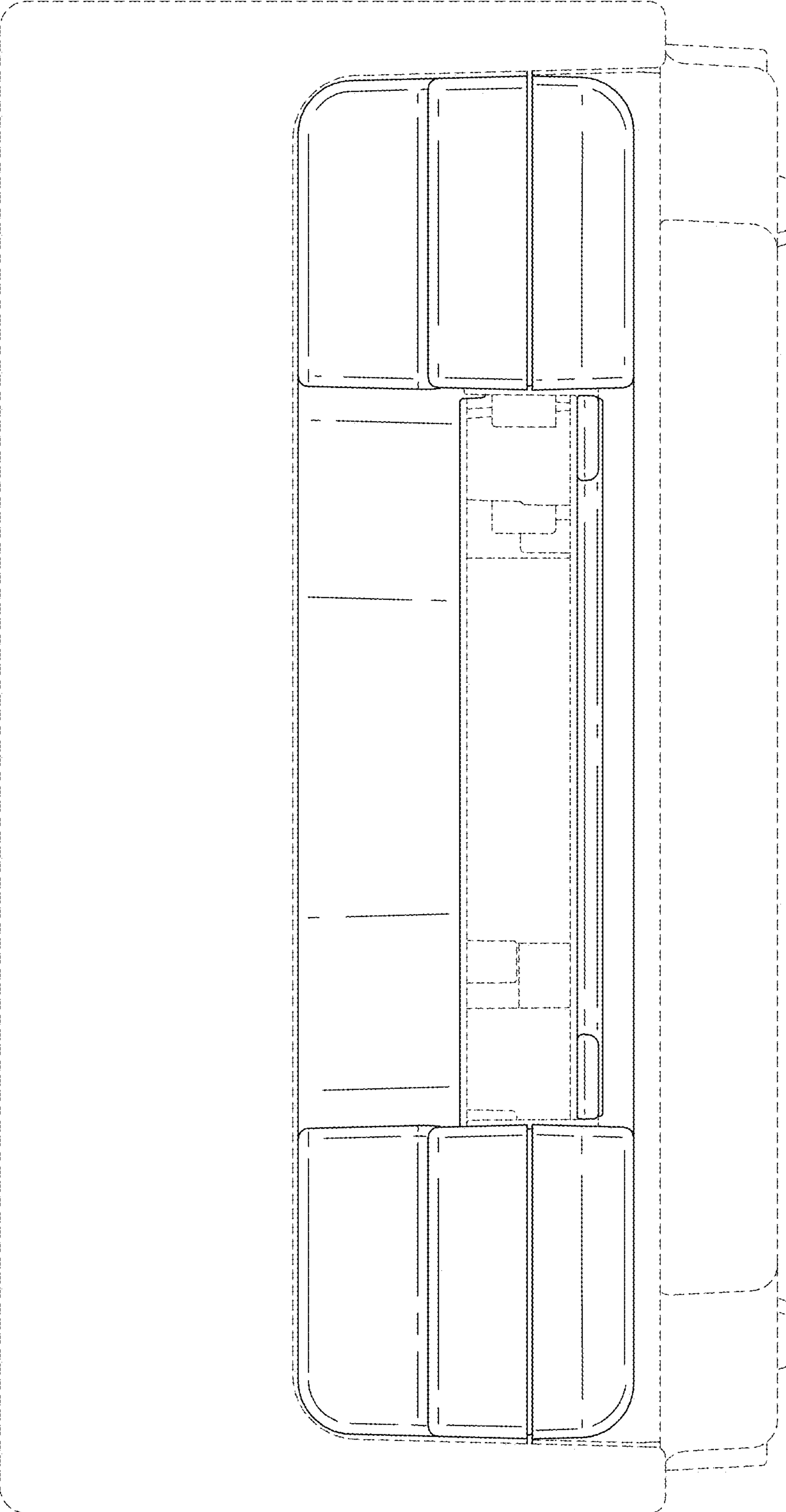


FIG. 8

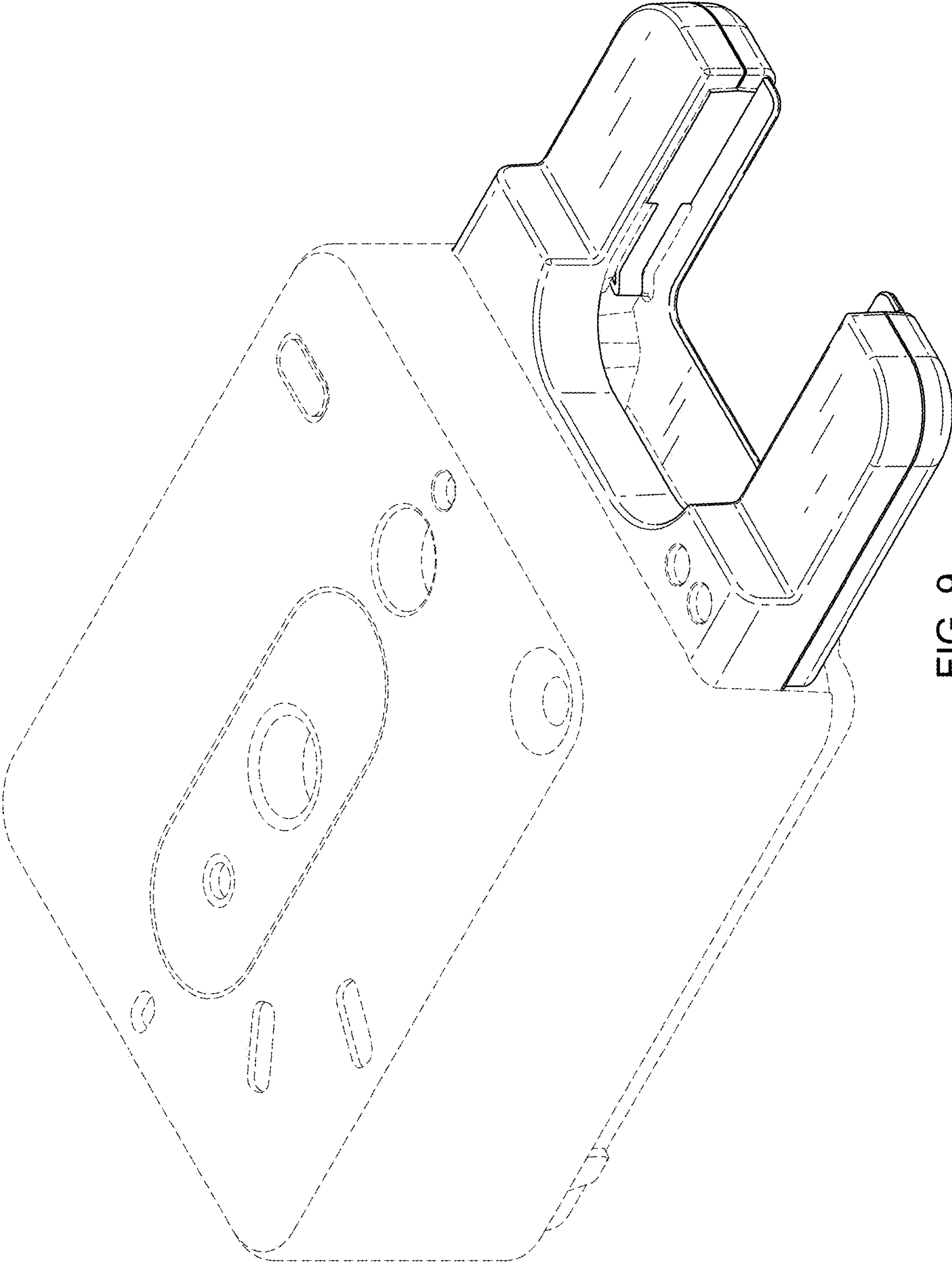


FIG. 9

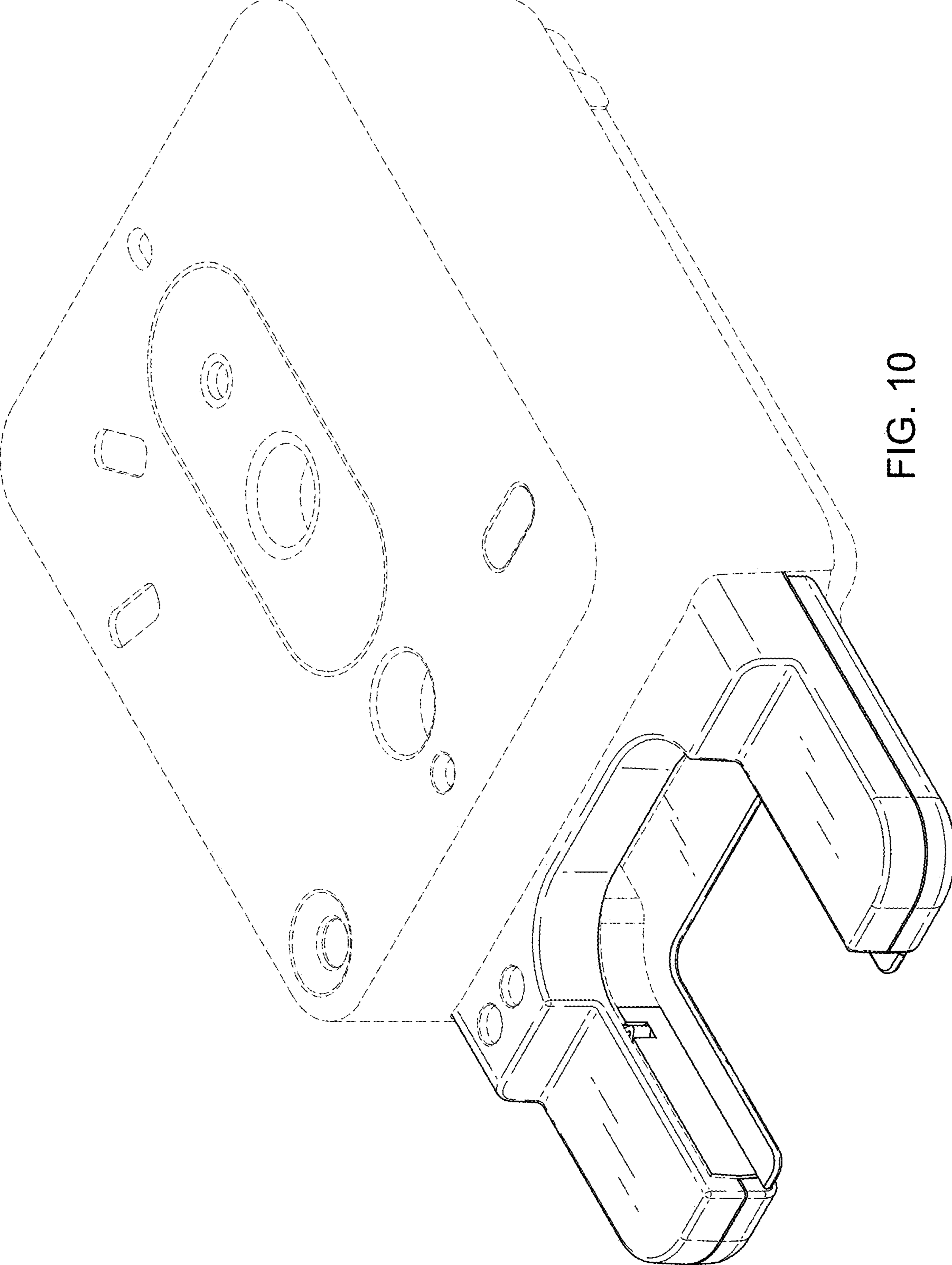


FIG. 10

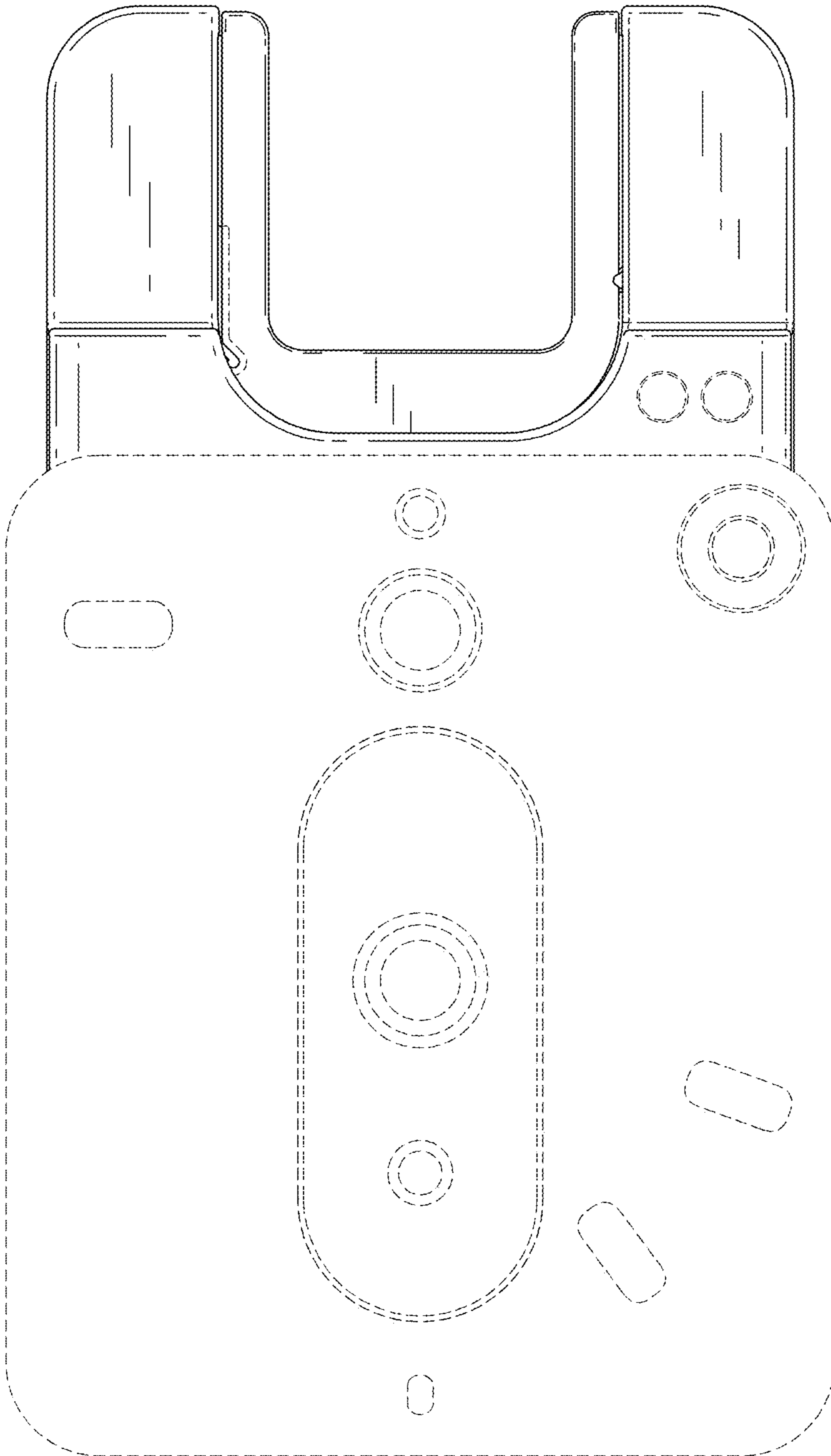


FIG. 11

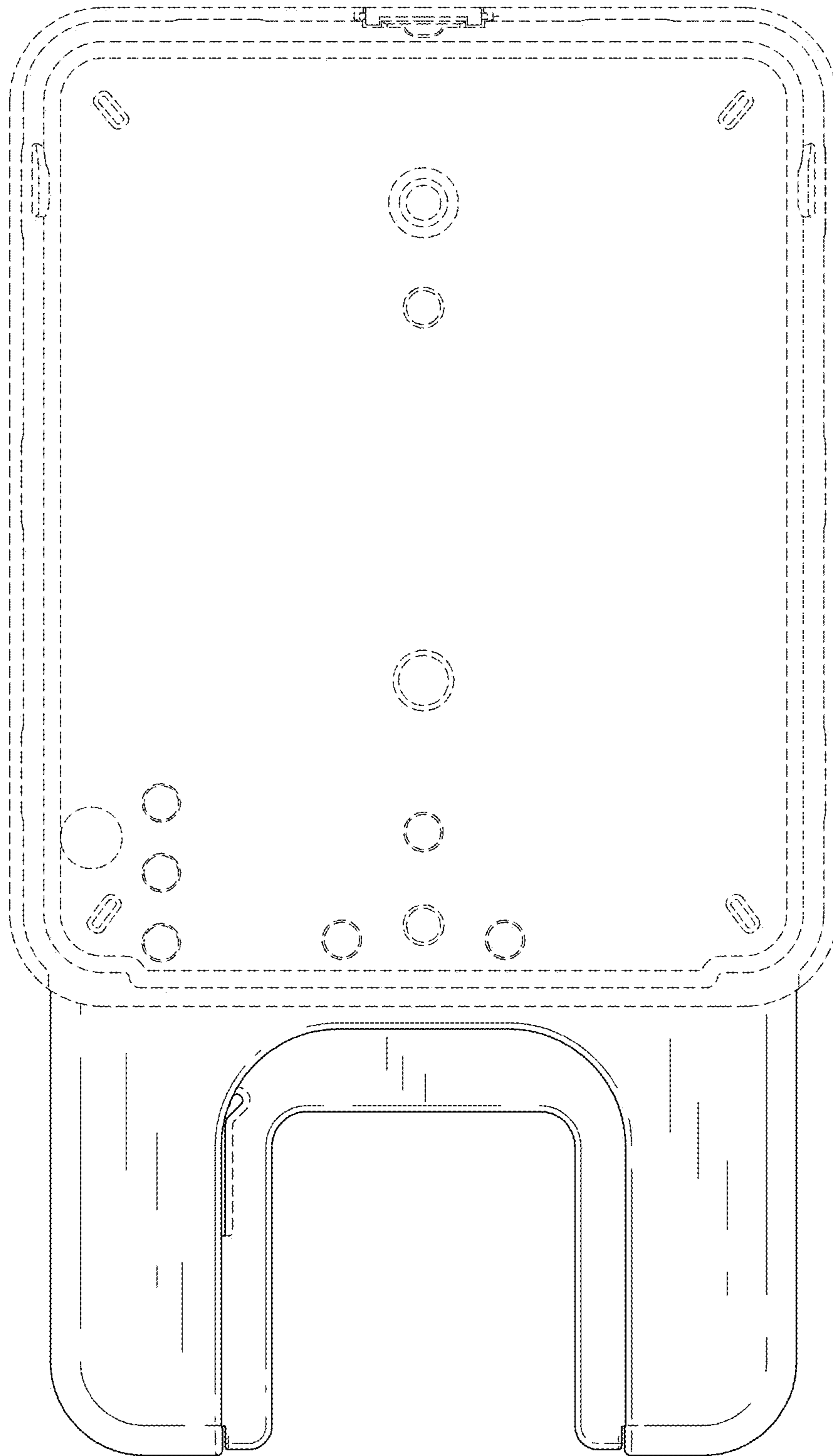


FIG. 12

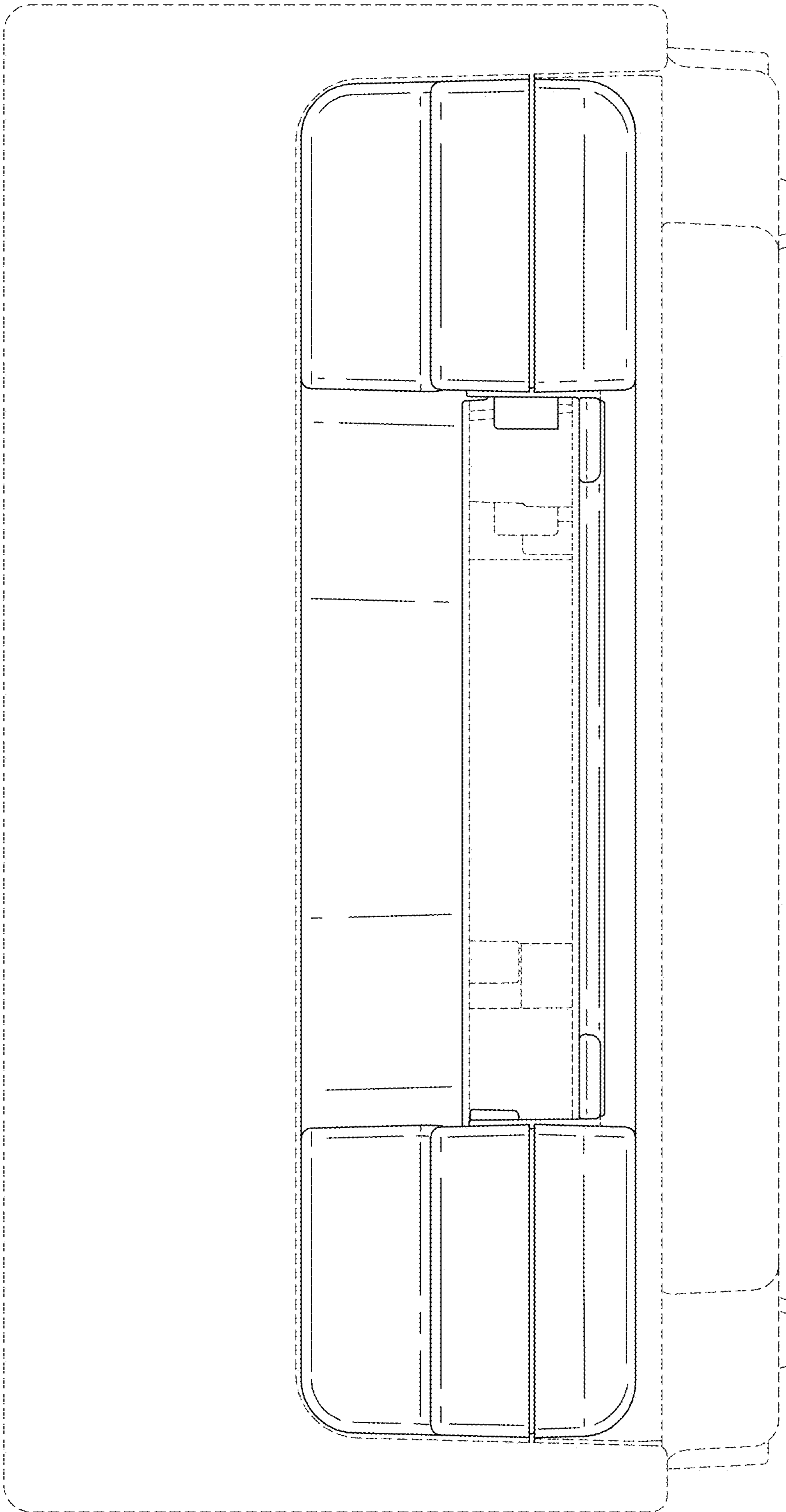


FIG. 13