

US00D942031S

(12) **United States Design Patent**
Wang

(10) **Patent No.:** **US D942,031 S**
(45) **Date of Patent:** **** Jan. 25, 2022**

- (54) **BLACKHEAD REMOVER**
- (71) Applicant: **Dongguan Dingyimei Electronic Technology Co., Ltd., Dongguan (CN)**
- (72) Inventor: **Shaowu Wang, Dongguan (CN)**
- (**) Term: **15 Years**
- (21) Appl. No.: **29/730,738**
- (22) Filed: **Apr. 8, 2020**
- (51) **LOC (13) Cl.** **28-03**
- (52) **U.S. Cl.**
USPC **D24/214**
- (58) **Field of Classification Search**
USPC D24/215, 200, 211, 212, 213, 214, 133,
D24/188, 107, 231; D10/57; D28/58
CPC A61B 2017/00761; A61B 2017/306; A61B
2017/00747; A61B 2217/005; A61B
2018/00452; A61N 5/0616; A61H 35/04;
A61H 7/003; A61H 7/004; A61H 7/008;
A61H 7/00; A61M 1/00
See application file for complete search history.

(56) **References Cited**

U.S. PATENT DOCUMENTS

D548,341 S *	8/2007	Ohta	D24/133
D747,800 S *	1/2016	Dunleavy	D24/133
D795,423 S *	8/2017	Chen	D24/133
D859,681 S *	9/2019	Tang	D24/214
D861,181 S *	9/2019	Shen	D24/209
D862,717 S *	10/2019	Khubani	D24/200
D875,267 S *	2/2020	Zeng	D24/214
D906,530 S *	12/2020	Liu	D24/214
D908,909 S *	1/2021	Huang	D24/215
D909,563 S *	2/2021	Hou	D24/108
D913,817 S *	3/2021	Cao	D10/57
D916,302 S *	4/2021	Yuval	D24/200
2014/0074191 A1 *	3/2014	Dunleavy	A61N 1/28 607/88

2020/0015841 A1 *	1/2020	Friend	A61B 17/320068
2020/0179220 A1 *	6/2020	Jablow	A61H 1/00
2020/0222269 A1 *	7/2020	Rodan	A45D 26/0004

OTHER PUBLICATIONS

Acne Cleaner Electronic Comedone Extractor Kit. Date: Apr. 13, 2019. [online]. [Site visited May 19, 2021], Available from Internet URL: <https://www.amazon.com/dp/B07LF859Z3> (Year: 2019).*

KINGDOMCARES Blackhead Removal Blackhead Remover. Date: Jul. 3, 2017. [online]. [Site visited May 20, 2021], Available from Internet URL: <https://www.amazon.co.uk/dp/B073PX88QQ/> (Year: 2017).*

(Continued)

Primary Examiner — Susan Bennett Hattan
Assistant Examiner — Landon Thomas Cassell
 (74) *Attorney, Agent, or Firm* — Runit Ranjit Kanakia

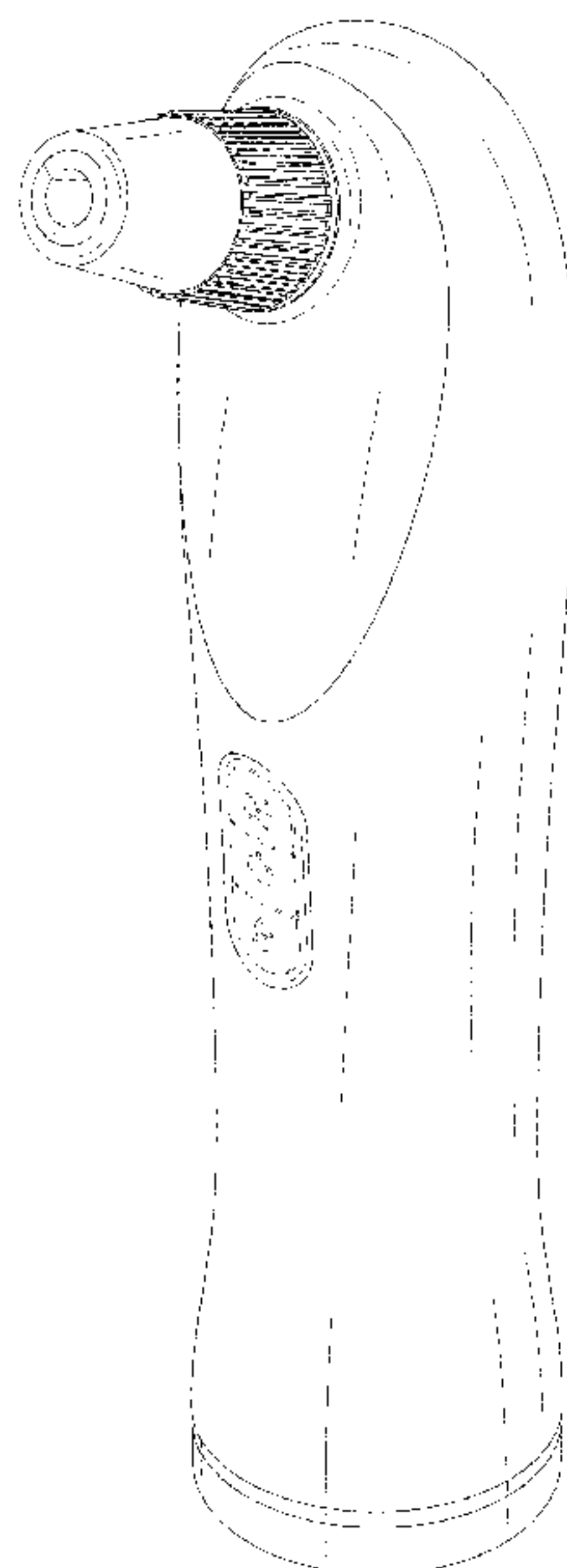
(57) **CLAIM**

I claim the ornamental design for a blackhead remover, as shown and described.

DESCRIPTION

FIG. 1 is a Perspective view of a blackhead remover showing my new design;
 FIG. 2 is a front view thereof;
 FIG. 3 is a back view thereof;
 FIG. 4 is a right-side view thereof;
 FIG. 5 is a left-side view thereof;
 FIG. 6 is a Top view thereof;
 FIG. 7 is a Bottom view thereof;
 FIG. 8 is another Perspective view with a different head;
 FIG. 9 is yet another Perspective view with another head;
 and,
 FIG. 10 is yet another Perspective view with another head.
 The broken lines depict portions of the blackhead remover that form no part of the claimed design.

1 Claim, 10 Drawing Sheets



(56)

References Cited

OTHER PUBLICATIONS

Blackhead Removers. (Design—© Questel) orbit.com. [Online PDF compilation of references] 45 pgs. Print Dates Range Jul. 9, 2019-Jul. 24, 2020 [Retrieved May 20, 2021] <https://www.orbit.com/export/UCZAH96B/pdf4/c67f5cce-598b-460f-b557-cd687216c157-224103.pdf> (Year: 2021).*

* cited by examiner

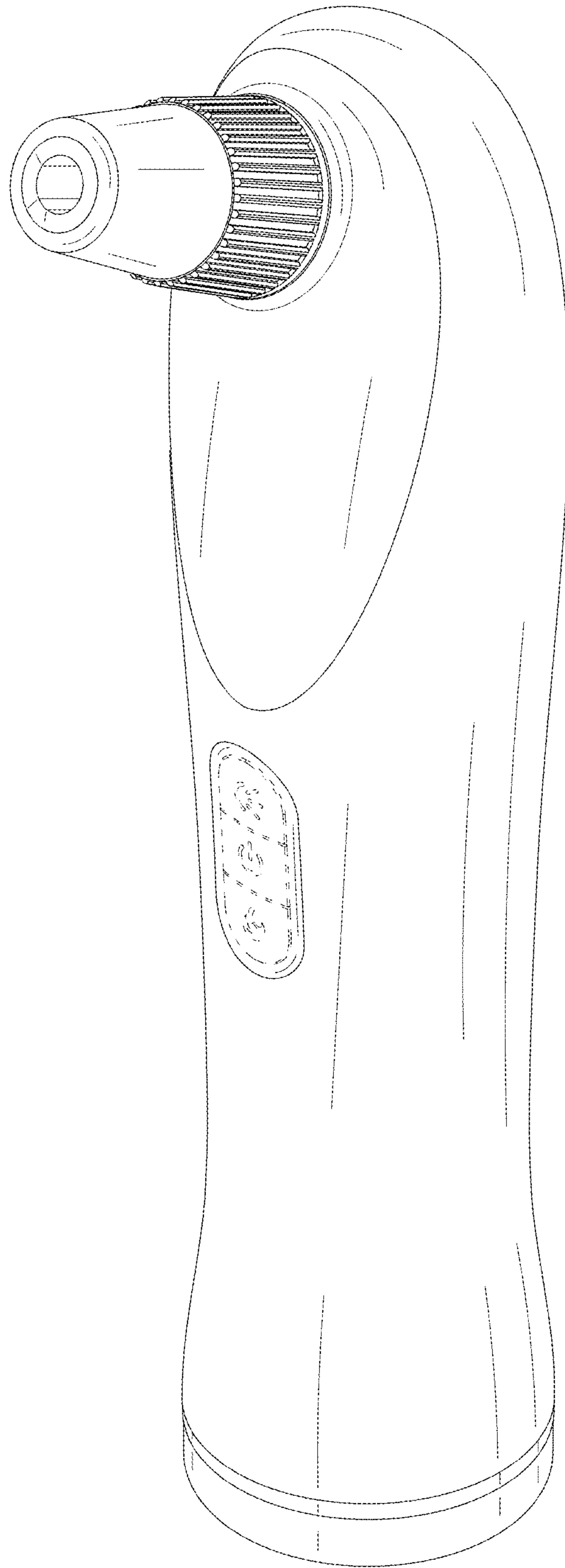


FIG. 1

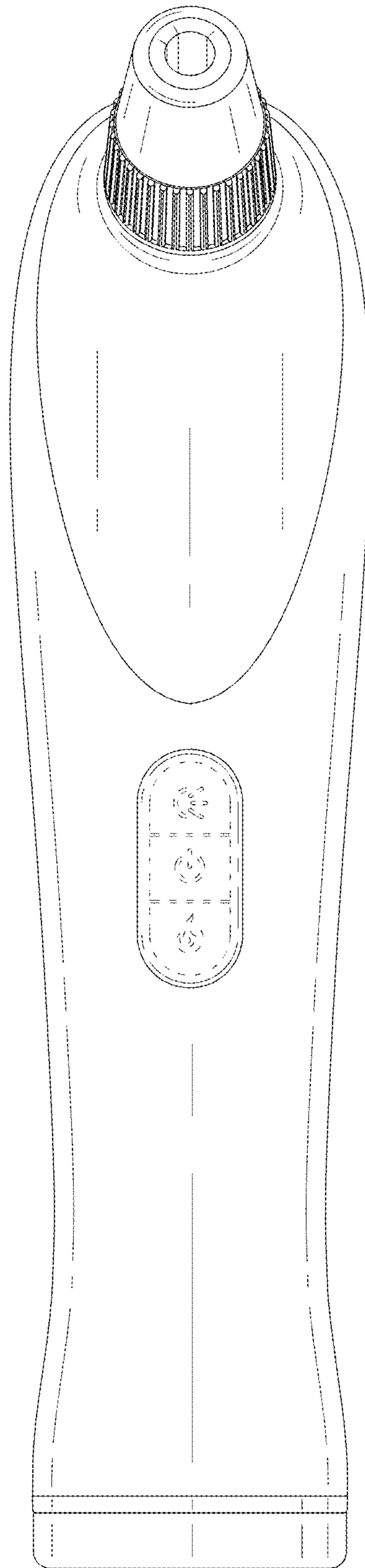


FIG. 2

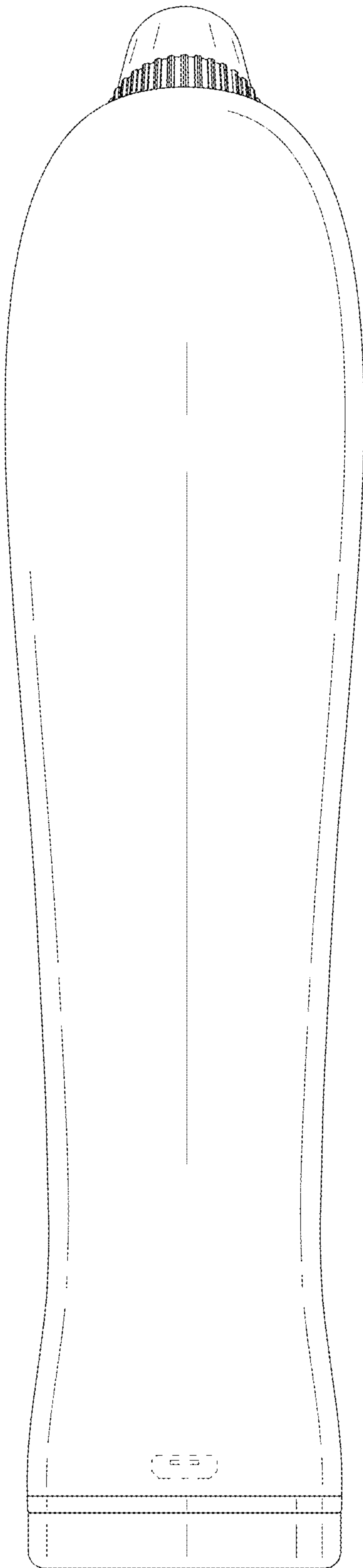


FIG. 3

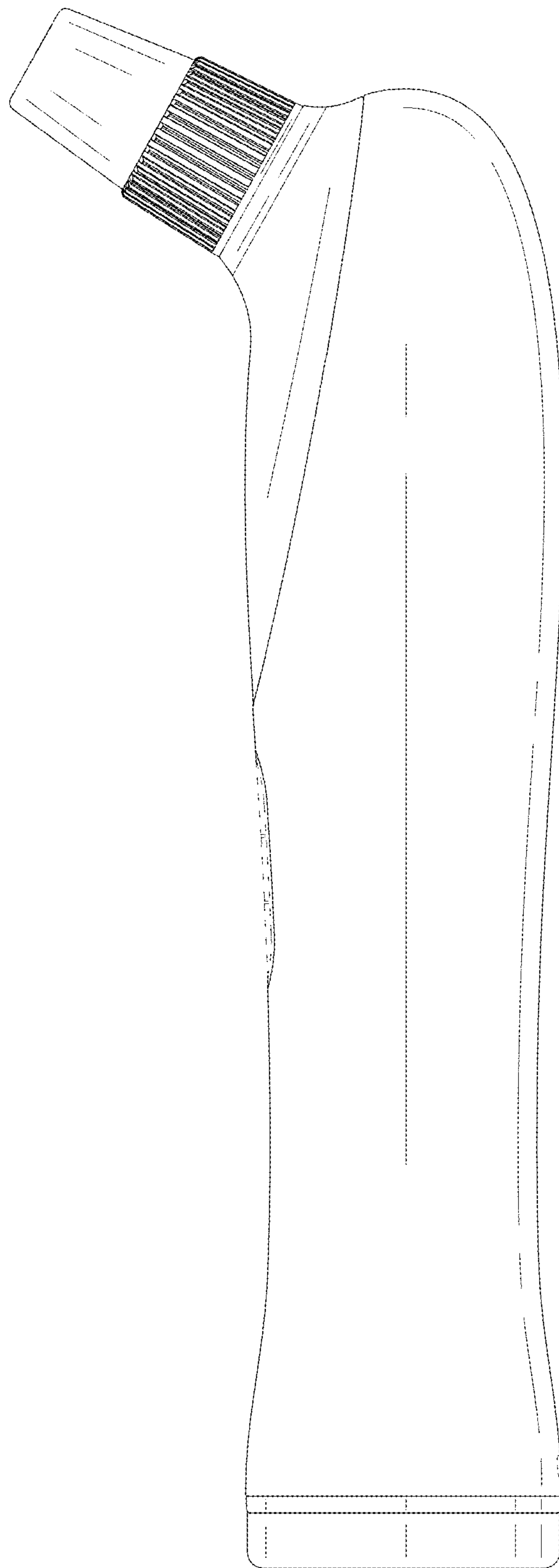


FIG. 4

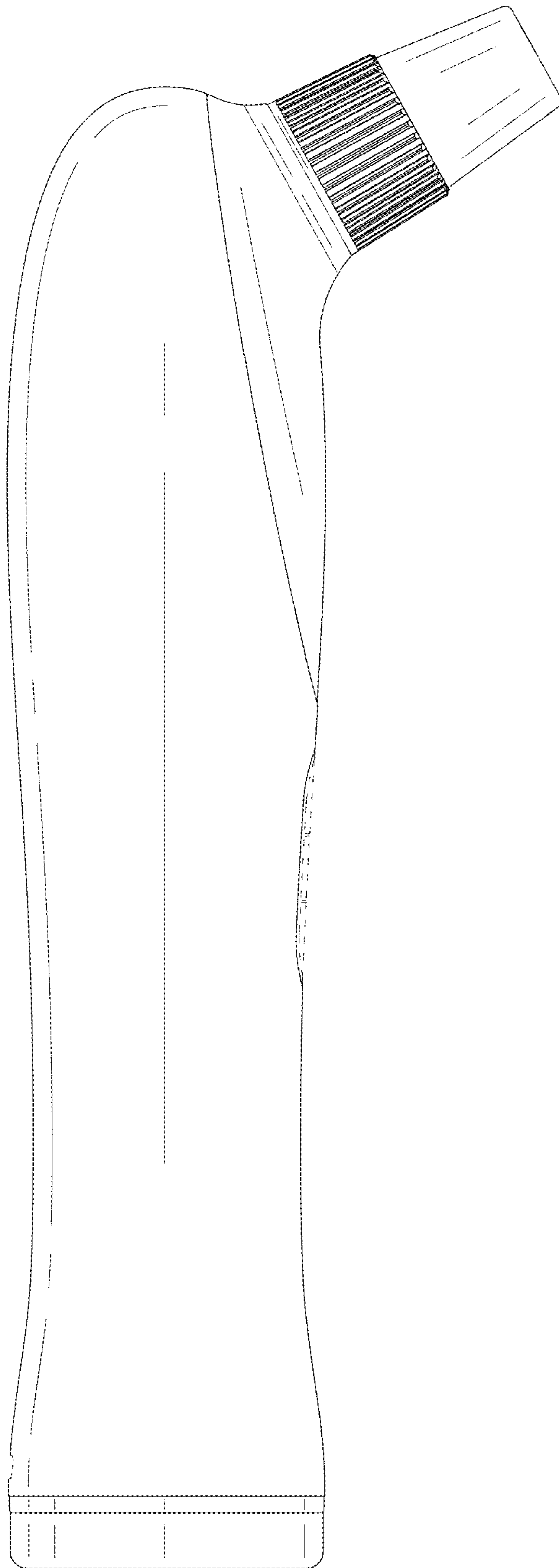


FIG. 5

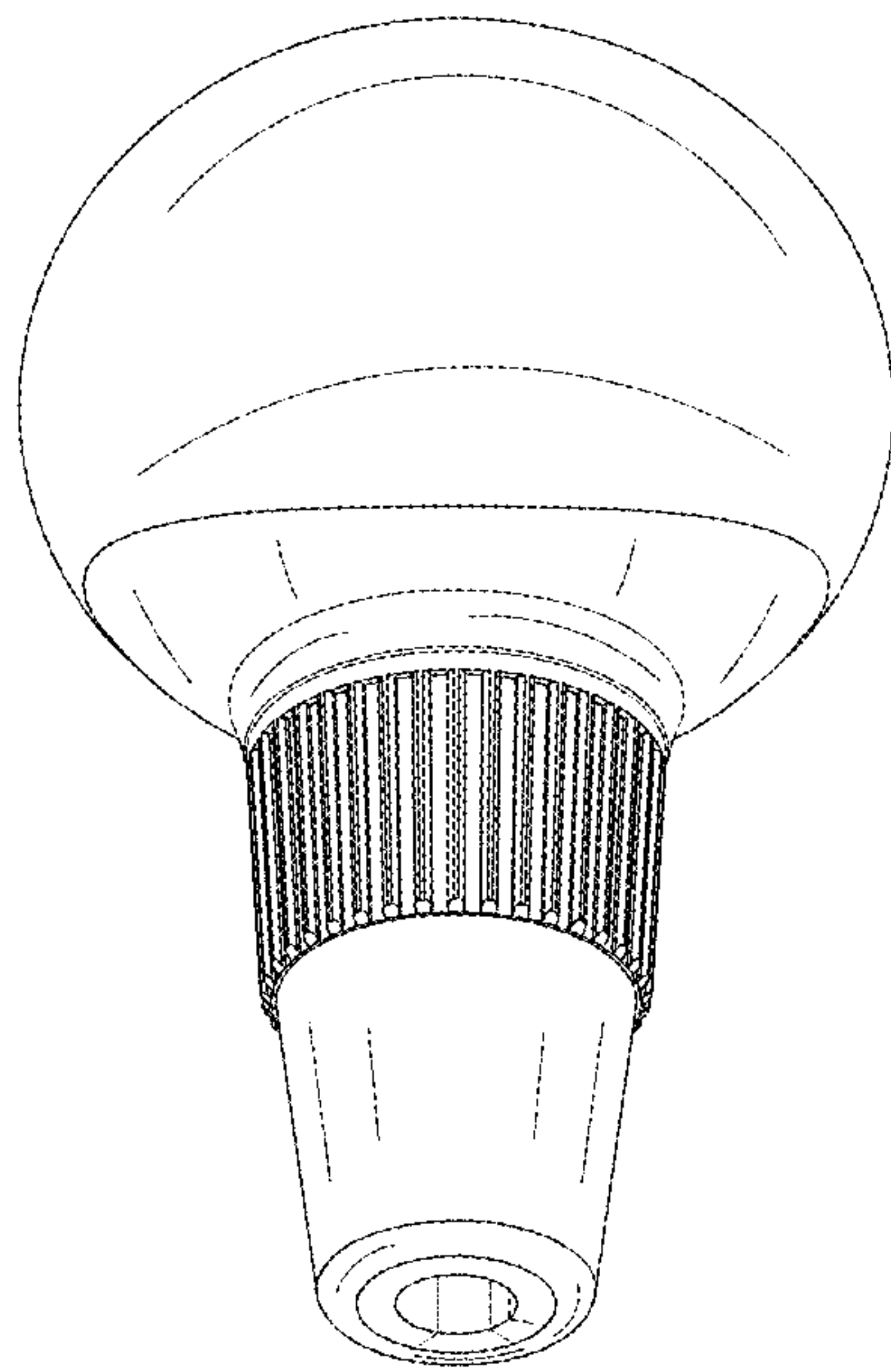


FIG. 6

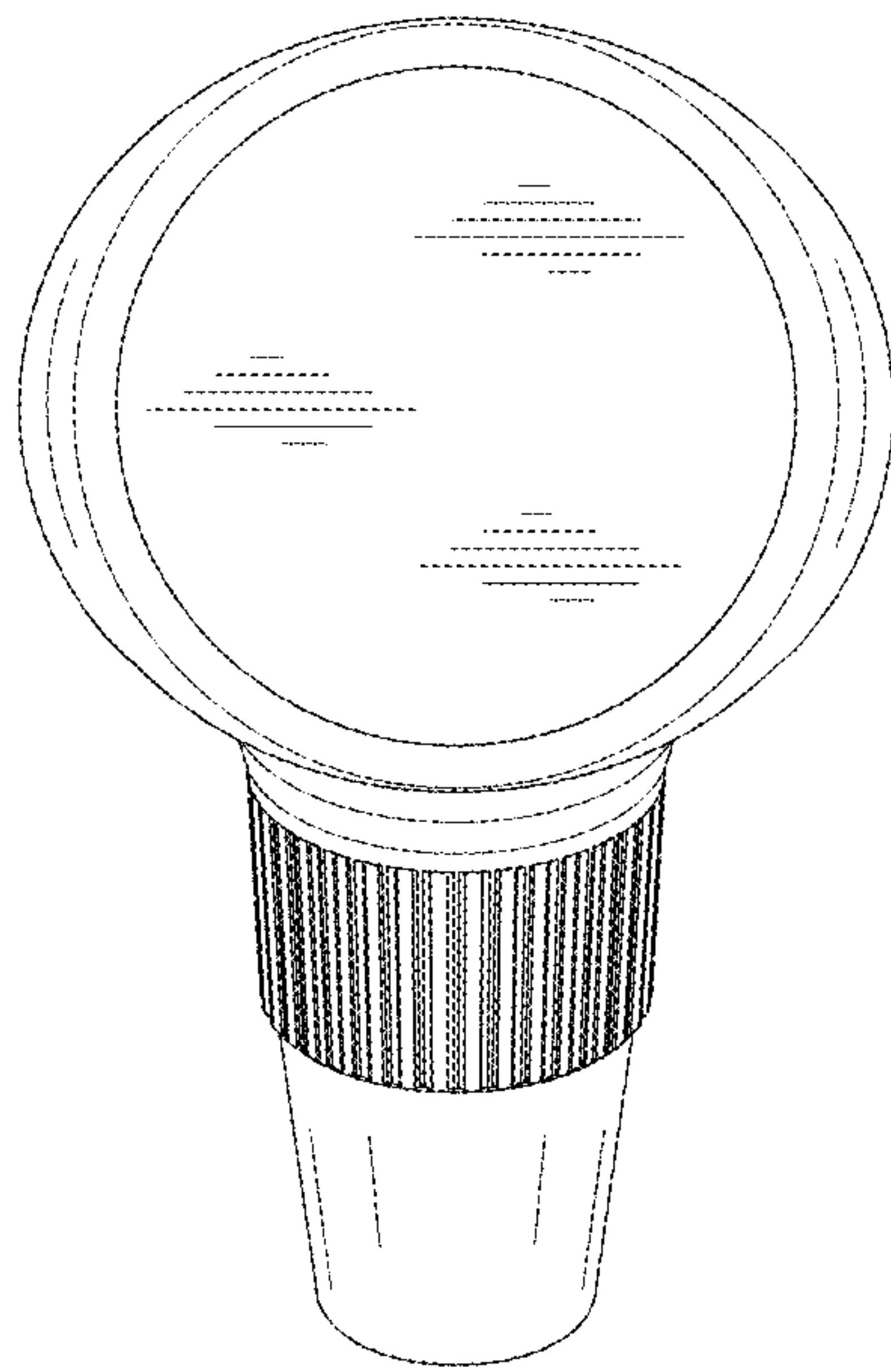


FIG. 7

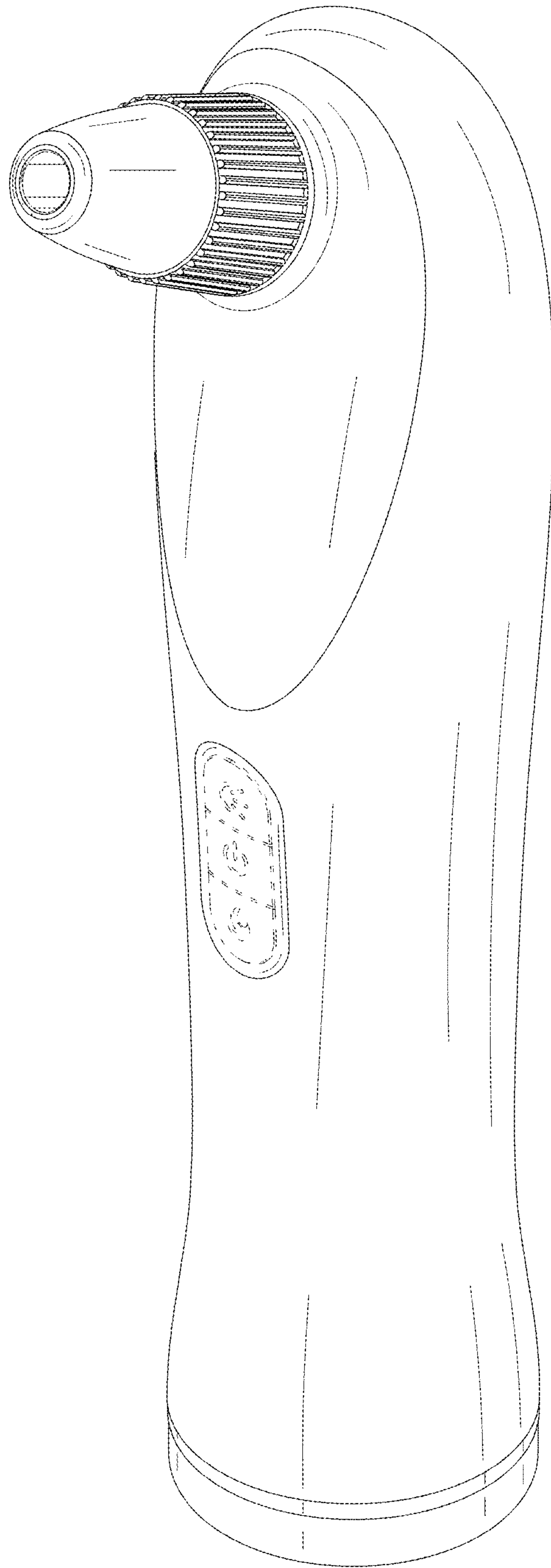


FIG. 8

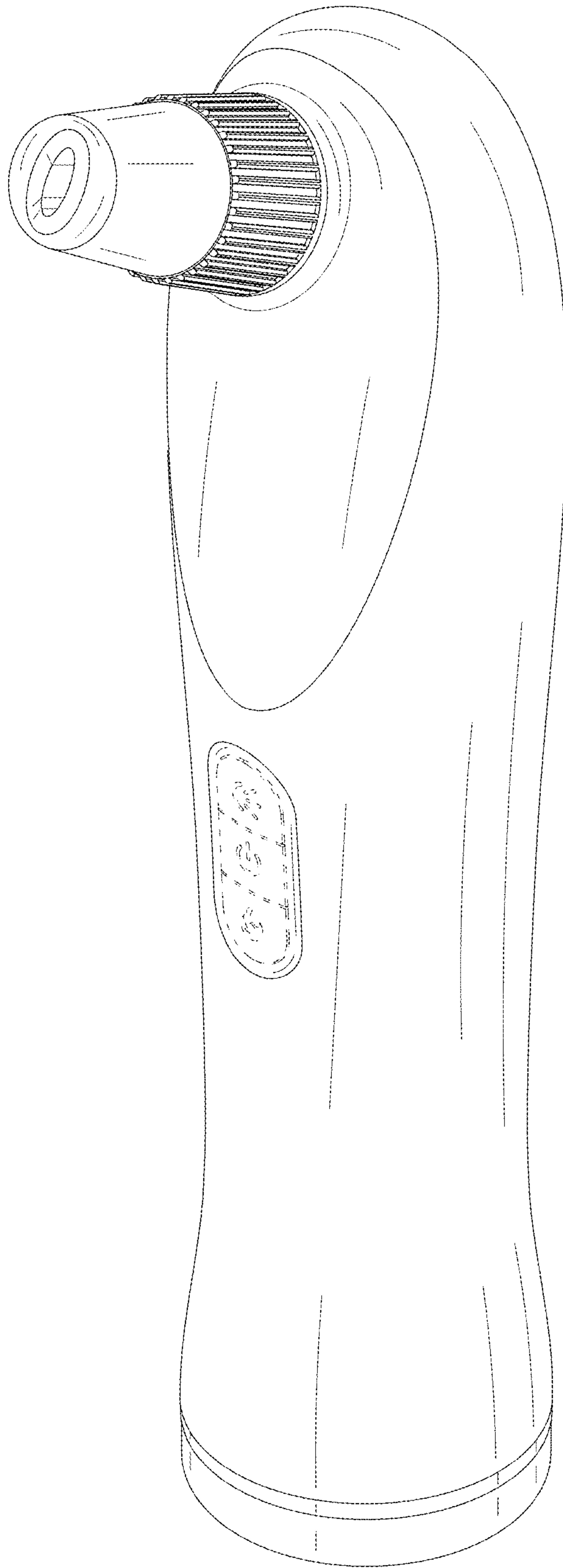


FIG. 9

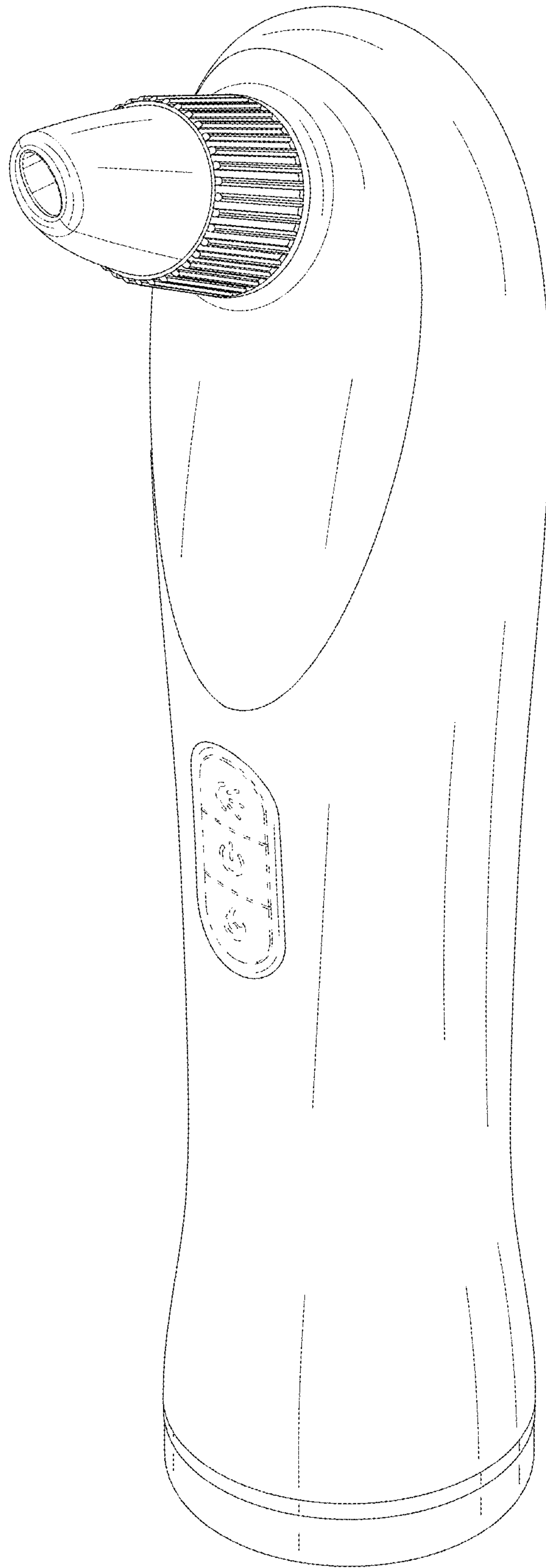


FIG. 10