



US00D942028S

(12) **United States Design Patent**  
**Yang**

(10) **Patent No.:** **US D942,028 S**  
(45) **Date of Patent:** **\*\* Jan. 25, 2022**

(54) **WEIGHT REDUCING APPARATUS**

(71) Applicant: **Shenzhen Fulinyun Technology Co., Ltd.**, Shenzhen (CN)

(72) Inventor: **Shichun Yang**, Sanming (CN)

(73) Assignee: **Shenzhen Fulinyun Technology Co., Ltd.**, Shenzhen (CN)

(\*\*) Term: **15 Years**

(21) Appl. No.: **29/783,490**

(22) Filed: **May 13, 2021**

(30) **Foreign Application Priority Data**

Apr. 19, 2021 (CN) ..... 202130223764.8

(51) **LOC (13) Cl.** ..... **28-03**

(52) **U.S. Cl.**  
USPC ..... **D24/200**

(58) **Field of Classification Search**  
USPC ..... D24/200, 214–215, 185–186  
CPC ..... A61F 5/0003; A61F 5/0026; A61F 5/005;  
A61F 5/0066  
See application file for complete search history.

(56) **References Cited**

**U.S. PATENT DOCUMENTS**

7,766,815 B2\* 8/2010 Ortiz ..... A61F 5/0066  
600/37  
7,909,839 B2\* 3/2011 Fields ..... A61F 5/005  
606/157  
8,469,978 B2\* 6/2013 Fobi ..... A61F 5/0066  
606/157

D752,235 S 3/2016 Levi et al.  
D859,671 S \* 9/2019 Wang ..... D24/200  
D860,468 S \* 9/2019 Ylitalo ..... D24/200  
D895,820 S \* 9/2020 Levi ..... D24/200  
2004/0133219 A1\* 7/2004 Forsell ..... A61F 5/005  
606/151  
2008/0161875 A1\* 7/2008 Stone ..... A61F 5/005  
607/40  
2011/0054248 A1\* 3/2011 Birk ..... A61F 5/005  
600/37  
2013/0267774 A1\* 10/2013 Birk ..... A61F 5/005  
600/37  
2014/0051914 A1\* 2/2014 Fobi ..... A61F 5/005  
600/37

\* cited by examiner

*Primary Examiner* — Wan Laymon

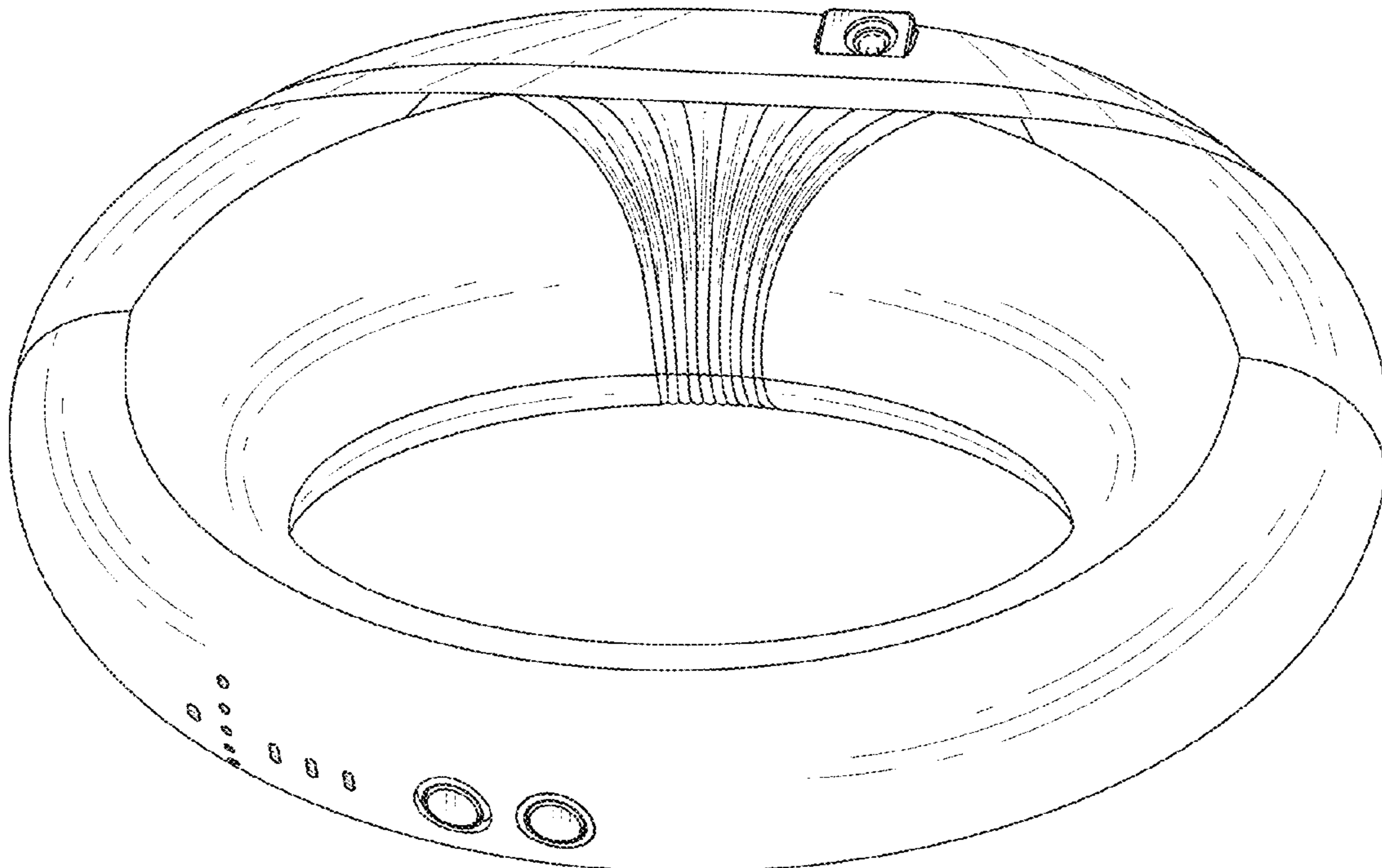
(57) **CLAIM**

The ornamental design for a weight reducing apparatus, as shown and described.

**DESCRIPTION**

FIG. 1 is a perspective view of a weight reducing apparatus showing my design;  
FIG. 2 is a front elevation view thereof;  
FIG. 3 is a back elevation view thereof;  
FIG. 4 is a left side view thereof;  
FIG. 5 is a right side view thereof;  
FIG. 6 is a top plan view thereof; and,  
FIG. 7 is a bottom plan view thereof.  
The broken line shown in the drawings is included for the purpose of illustrating portions of the weight reducing apparatus and forms no part of the claimed design.

**1 Claim, 7 Drawing Sheets**



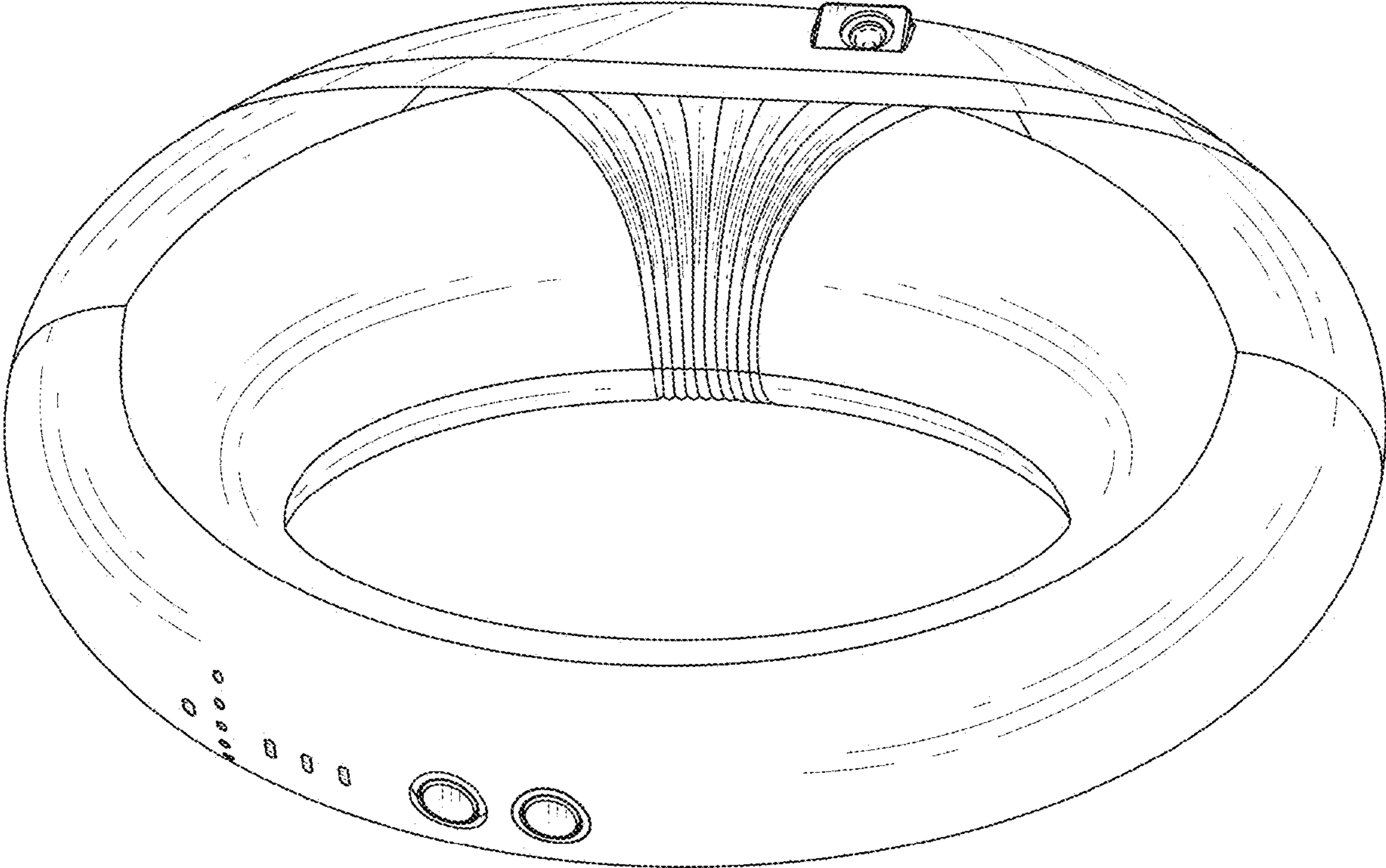


FIG.1

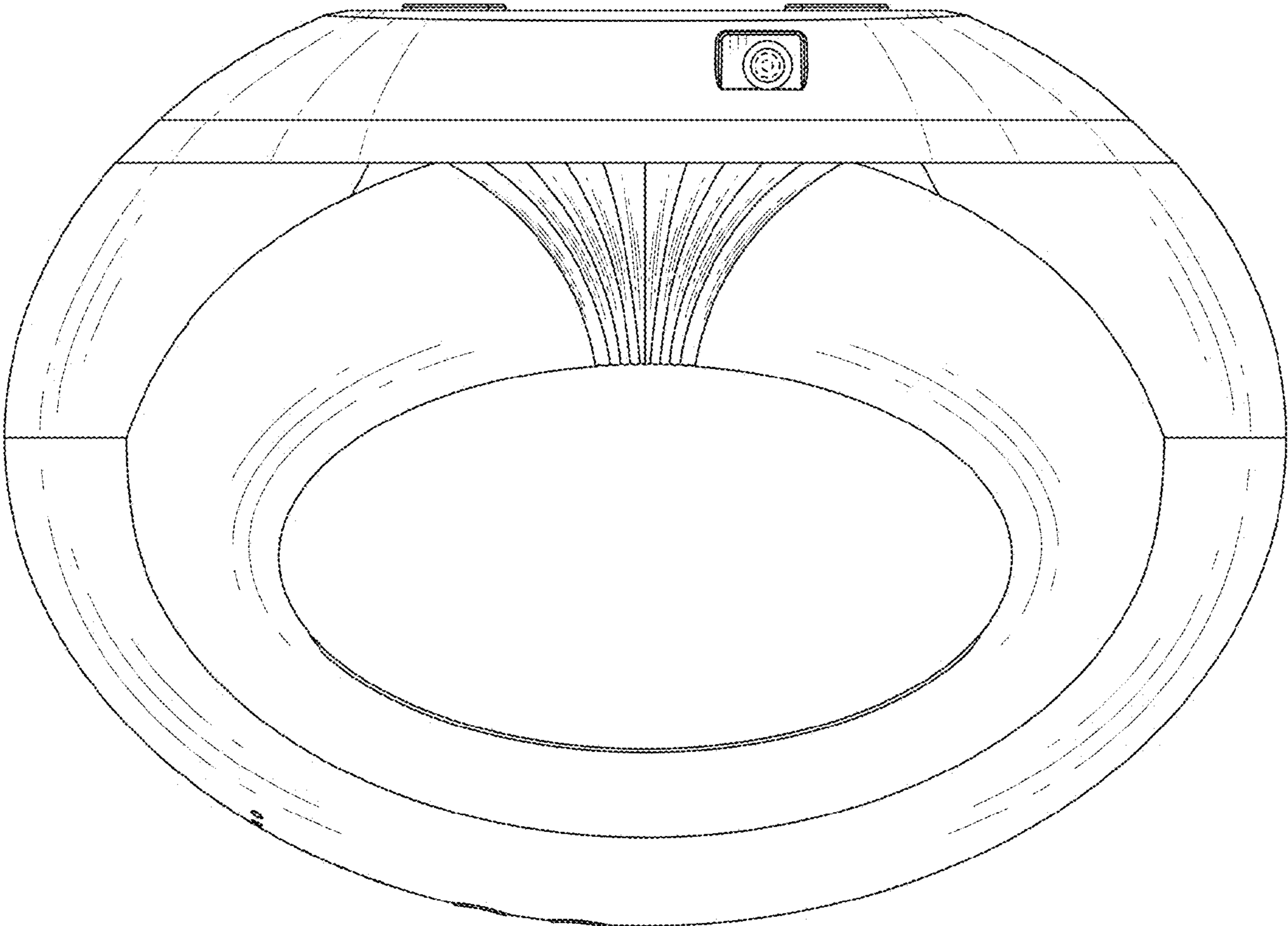


FIG.2

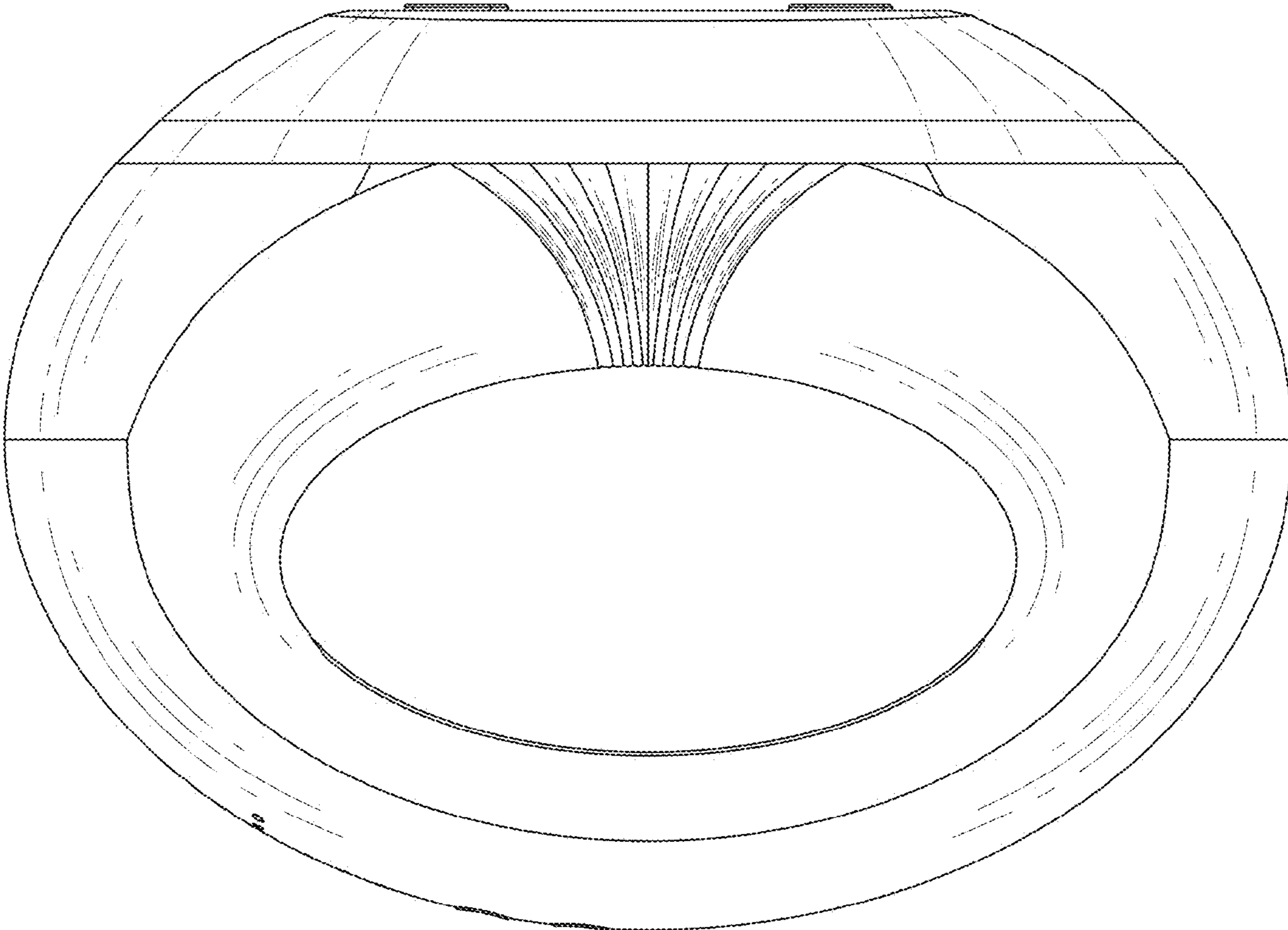


FIG.3

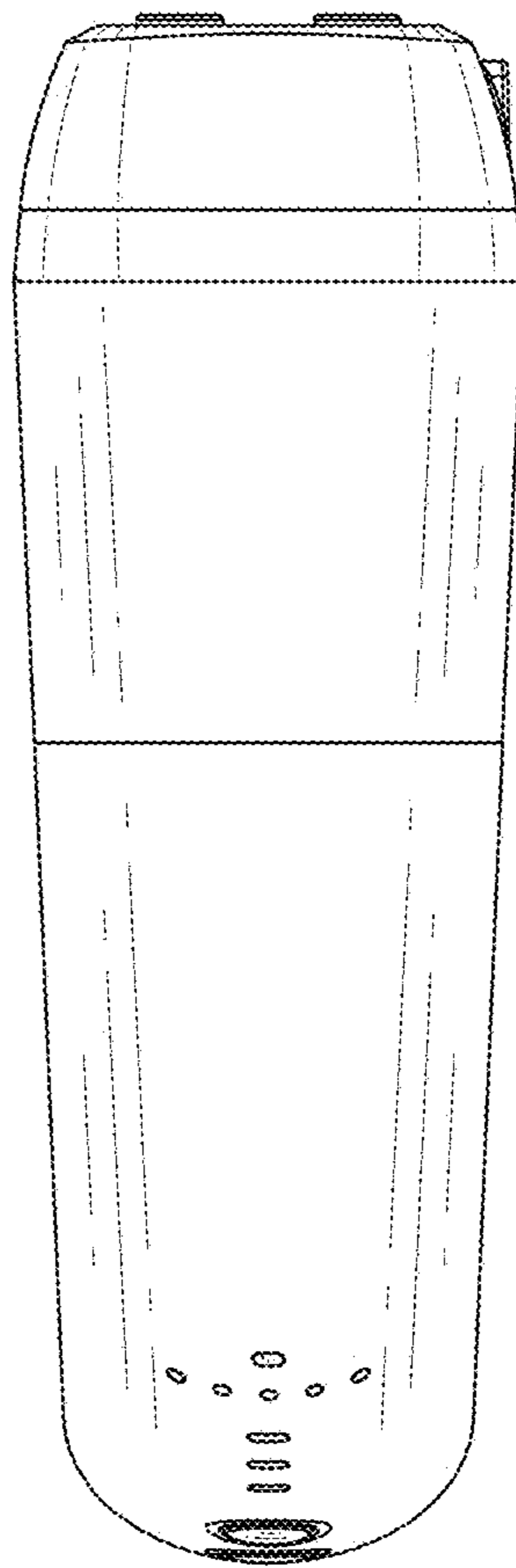


FIG.4

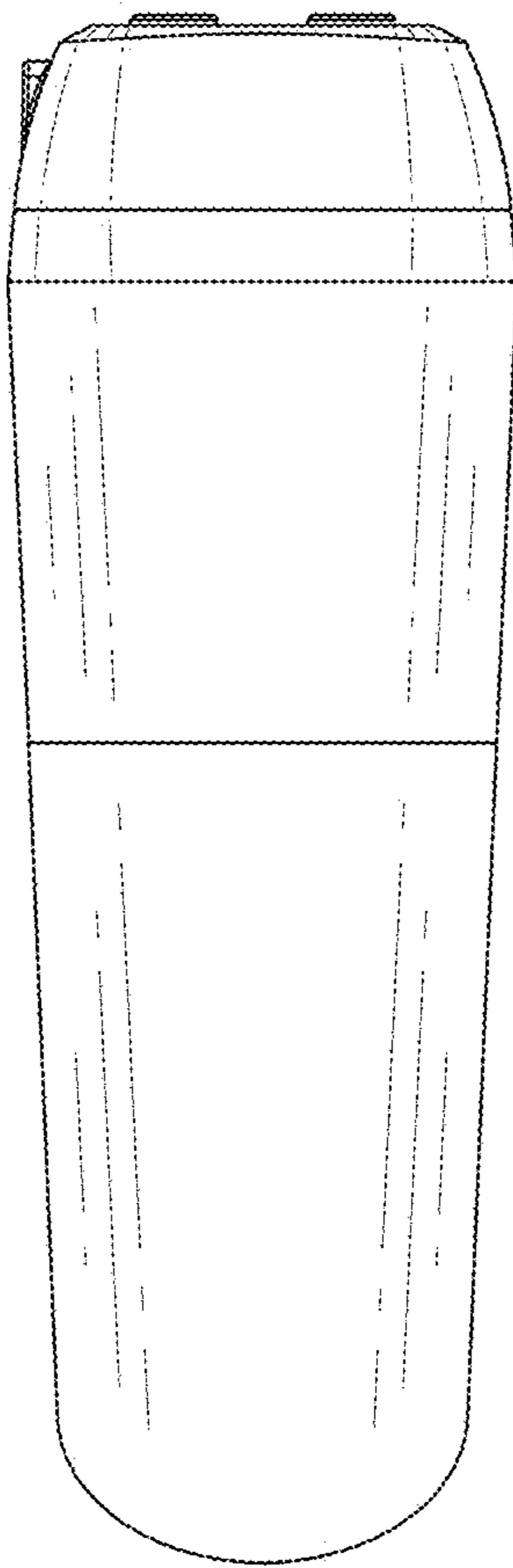


FIG.5

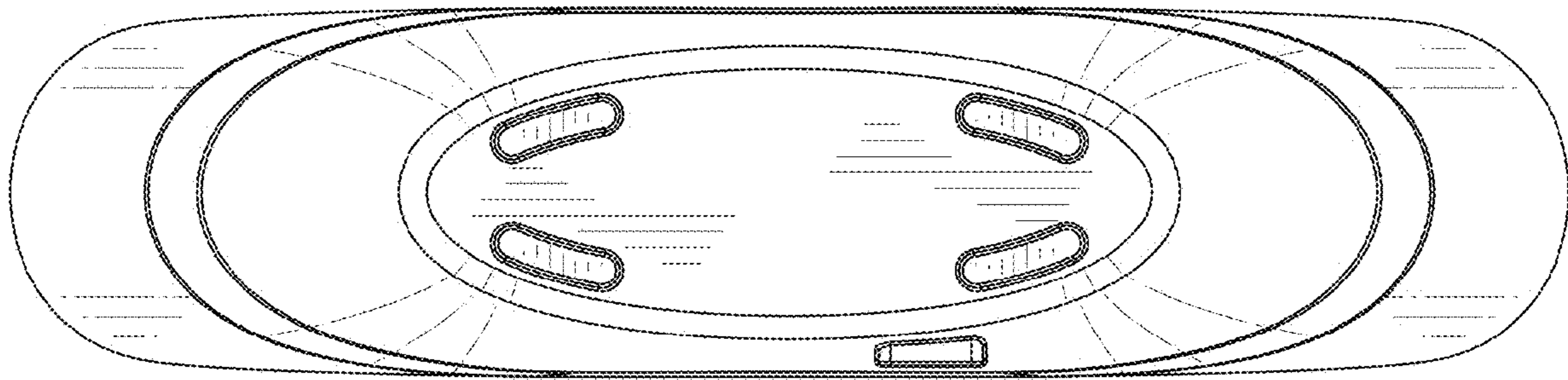


FIG.6

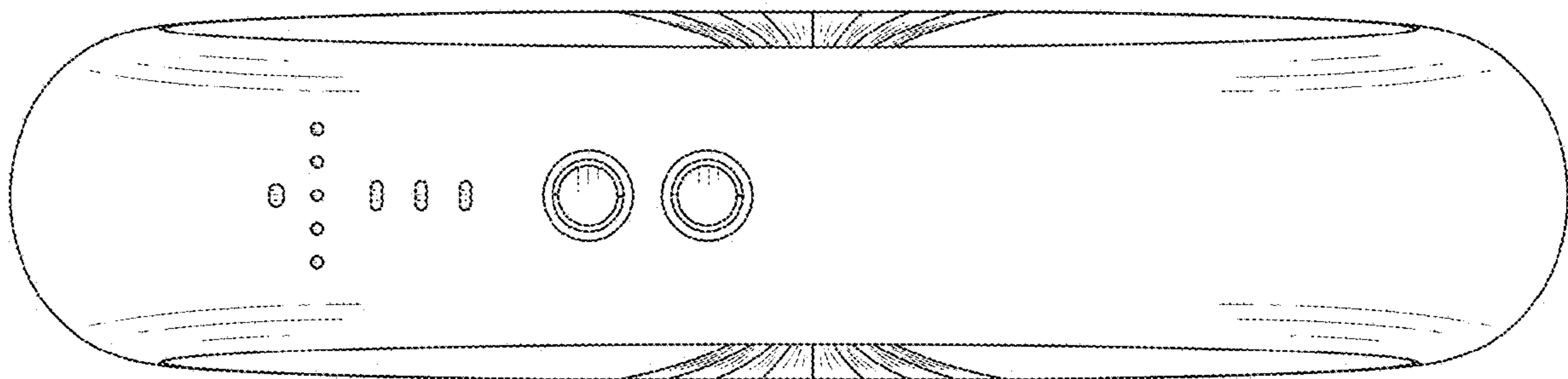


FIG.7