



US00D942027S

(12) **United States Design Patent** (10) **Patent No.:** **US D942,027 S**
Moramarco et al. (45) **Date of Patent:** **** Jan. 25, 2022**

(54) **HEART SHAPED SUCTION CUPPING THERAPY CUP**

(71) Applicants: **Jil Sharon Moramarco**, Beverly Hills, CA (US); **Kara Nicole Moramarco-Kendrick**, Los Angeles, CA (US)

(72) Inventors: **Jil Sharon Moramarco**, Beverly Hills, CA (US); **Kara Nicole Moramarco-Kendrick**, Los Angeles, CA (US)

(**) Term: **15 Years**

(21) Appl. No.: **29/751,812**

(22) Filed: **Sep. 23, 2020**

(51) **LOC (13) Cl.** **28-03**

(52) **U.S. Cl.**
USPC **D24/200**

(58) **Field of Classification Search**

USPC D24/200, 206, 214–215, 107; D9/629; D30/101–102; D6/661.1, 659; D11/131
 CPC A61H 7/00; A61H 7/008; A61H 7/001; A61H 7/003; A61H 7/007–008; A61H 9/00; A61H 9/005; A61H 9/0057; A61H 9/0071; A61H 2009/0064; A61H 2201/013; A61H 2201/0157; A61H 2201/125; A61H 2201/1253; A61H 2205/081; A61M 1/064; A61M 1/08; A61N 5/0616

See application file for complete search history.

(56) **References Cited**

U.S. PATENT DOCUMENTS

8,920,348 B2 * 12/2014 Freeman A61H 31/006
601/41
 9,095,647 B2 * 8/2015 Lee A61H 9/0057
 D866,780 S * 11/2019 Moramarco D24/200
 D888,972 S * 6/2020 Chernyavskiy D24/200
 2018/0168915 A1 * 6/2018 Gwen A61H 9/0057
 2021/0038466 A1 * 2/2021 Stewart, Jr. A61H 9/0057

* cited by examiner

Primary Examiner — Wan Laymon

(74) *Attorney, Agent, or Firm* — Bay State IP, LLC

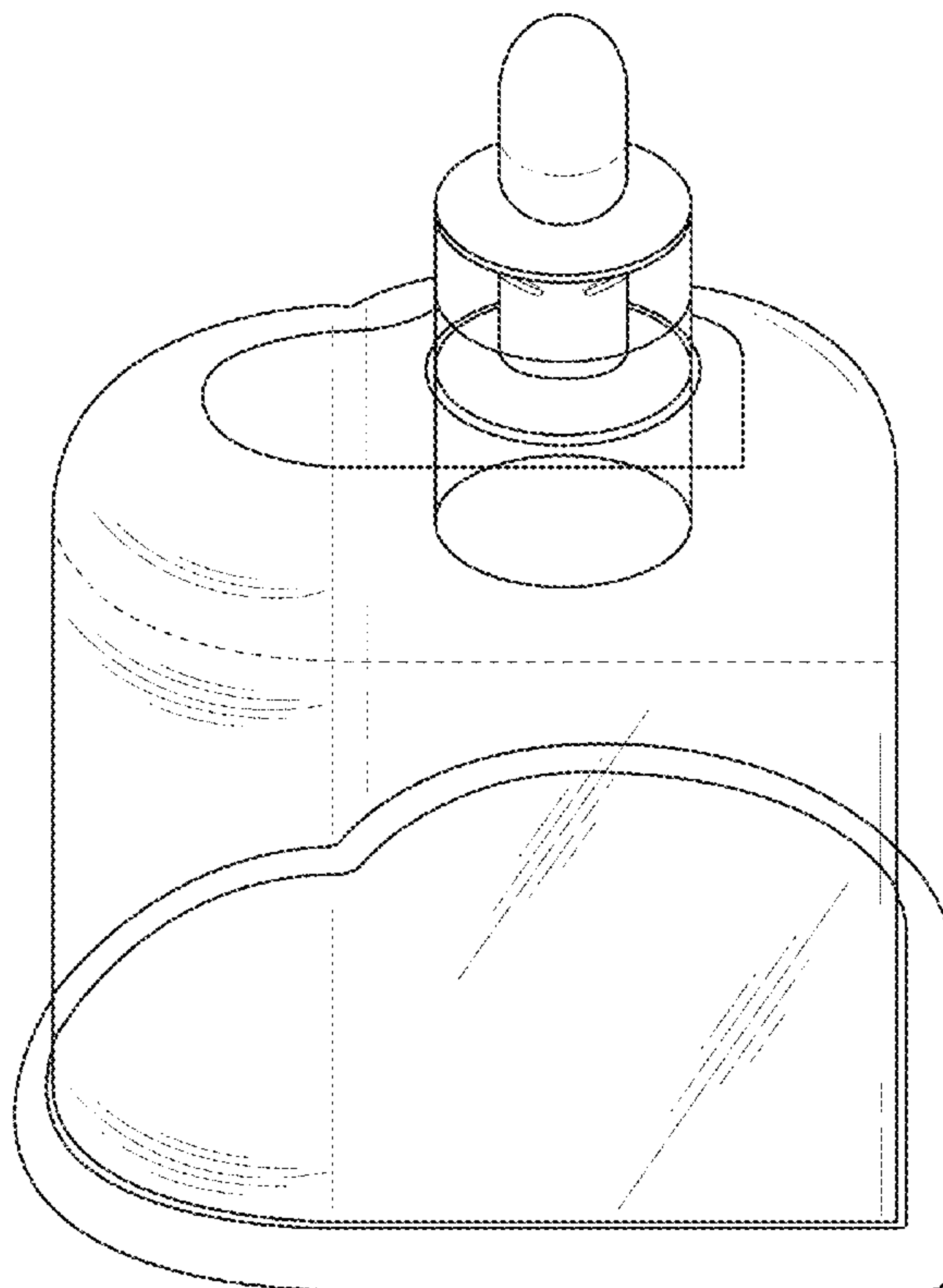
(57) **CLAIM**

The ornamental design for a heart shaped suction cupping therapy cup, as shown and described.

DESCRIPTION

FIG. 1 shows side elevation view of a heart shaped suction cupping therapy cup.
 FIG. 2 shows a second side elevation view thereof.
 FIG. 3 shows a third side elevation view thereof.
 FIG. 4 shows a fourth side elevation view thereof.
 FIG. 5 shows a top plan view thereof.
 FIG. 6 shows a bottom plan view thereof; and,
 FIG. 7 shows a top and side perspective view thereof.
 The dotted lines shown in the drawings depict unclaimed subject matter and are for environmental purposes only and form no part of the claimed design.

1 Claim, 7 Drawing Sheets



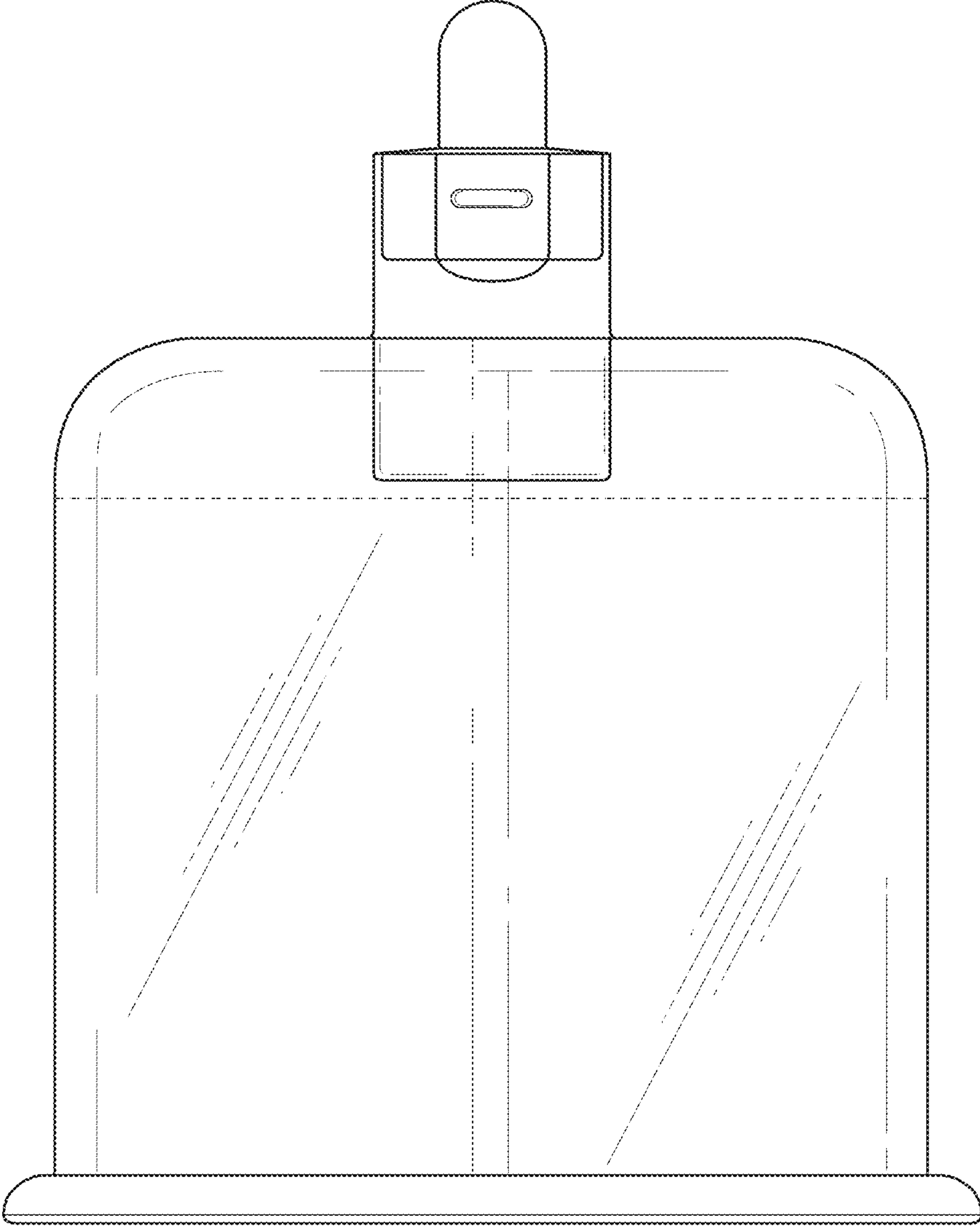


FIG. 1

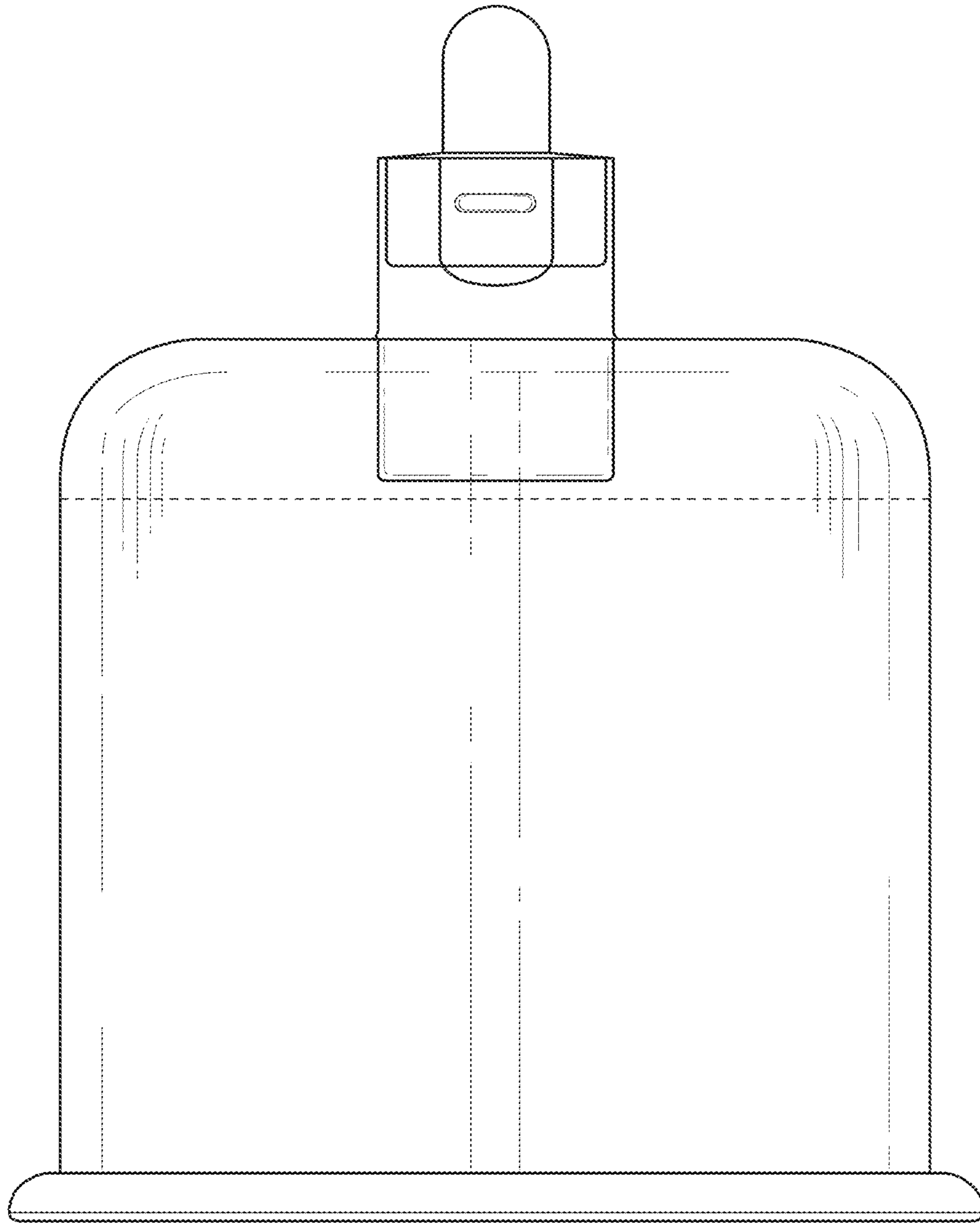


FIG. 2

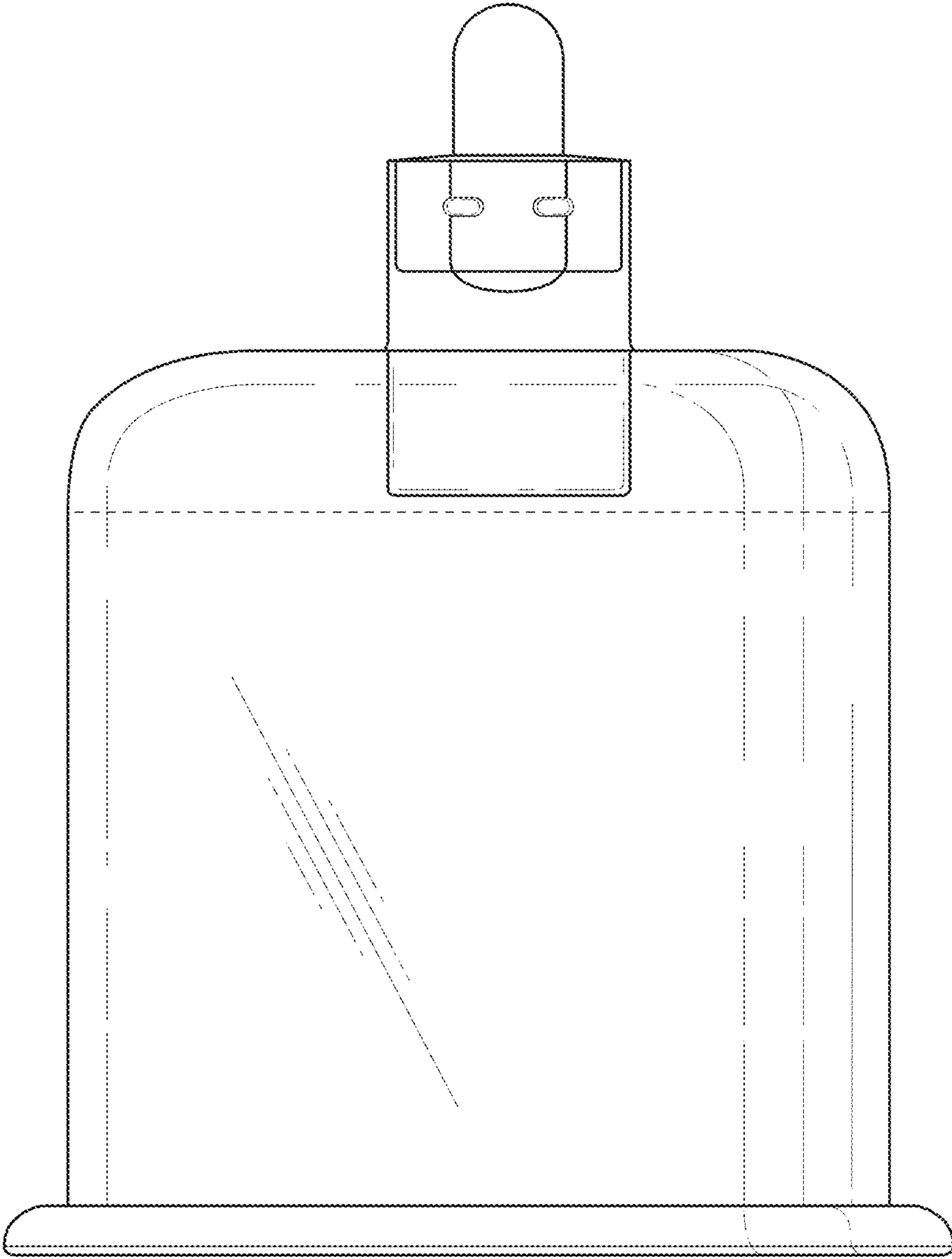


FIG. 3

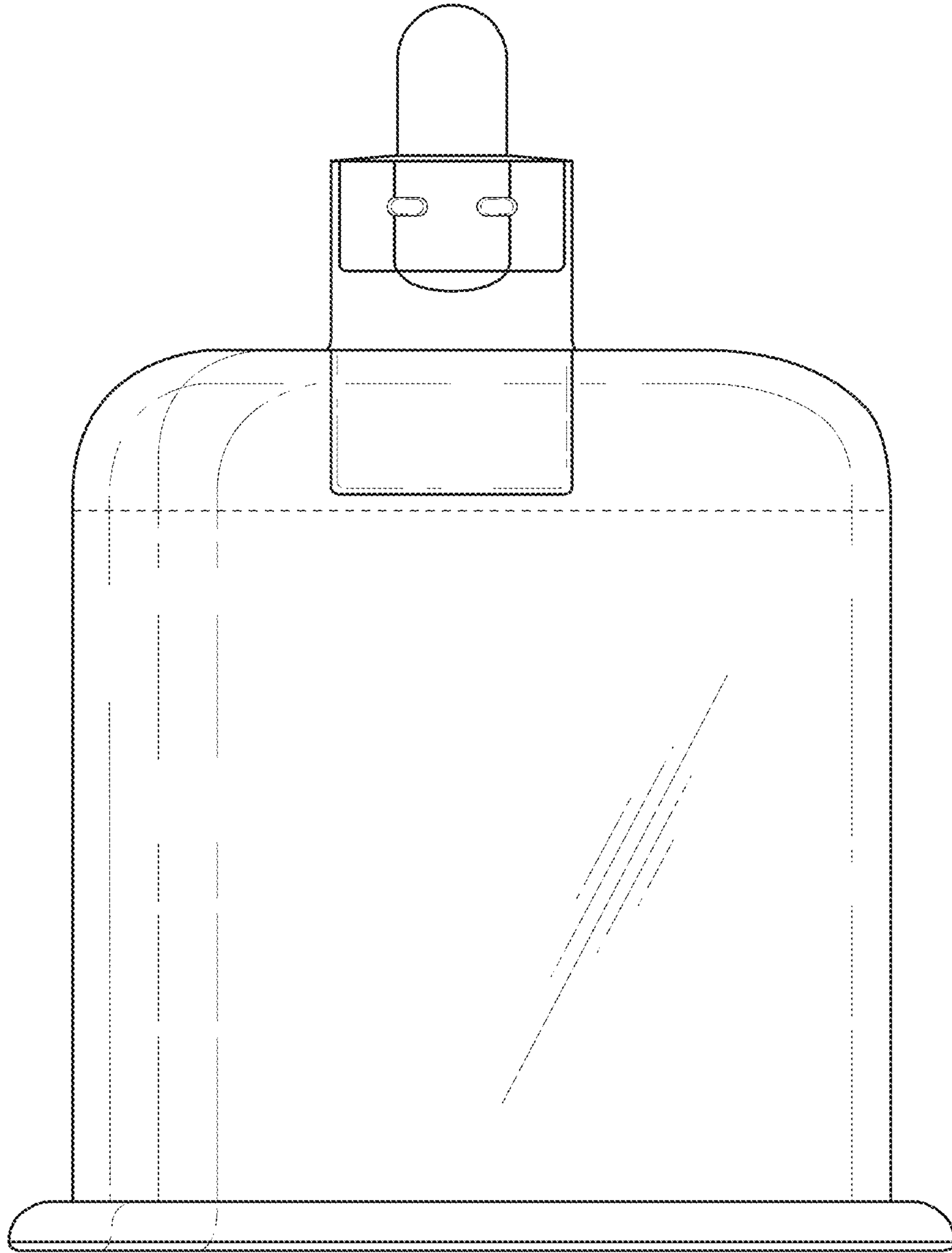


FIG. 4

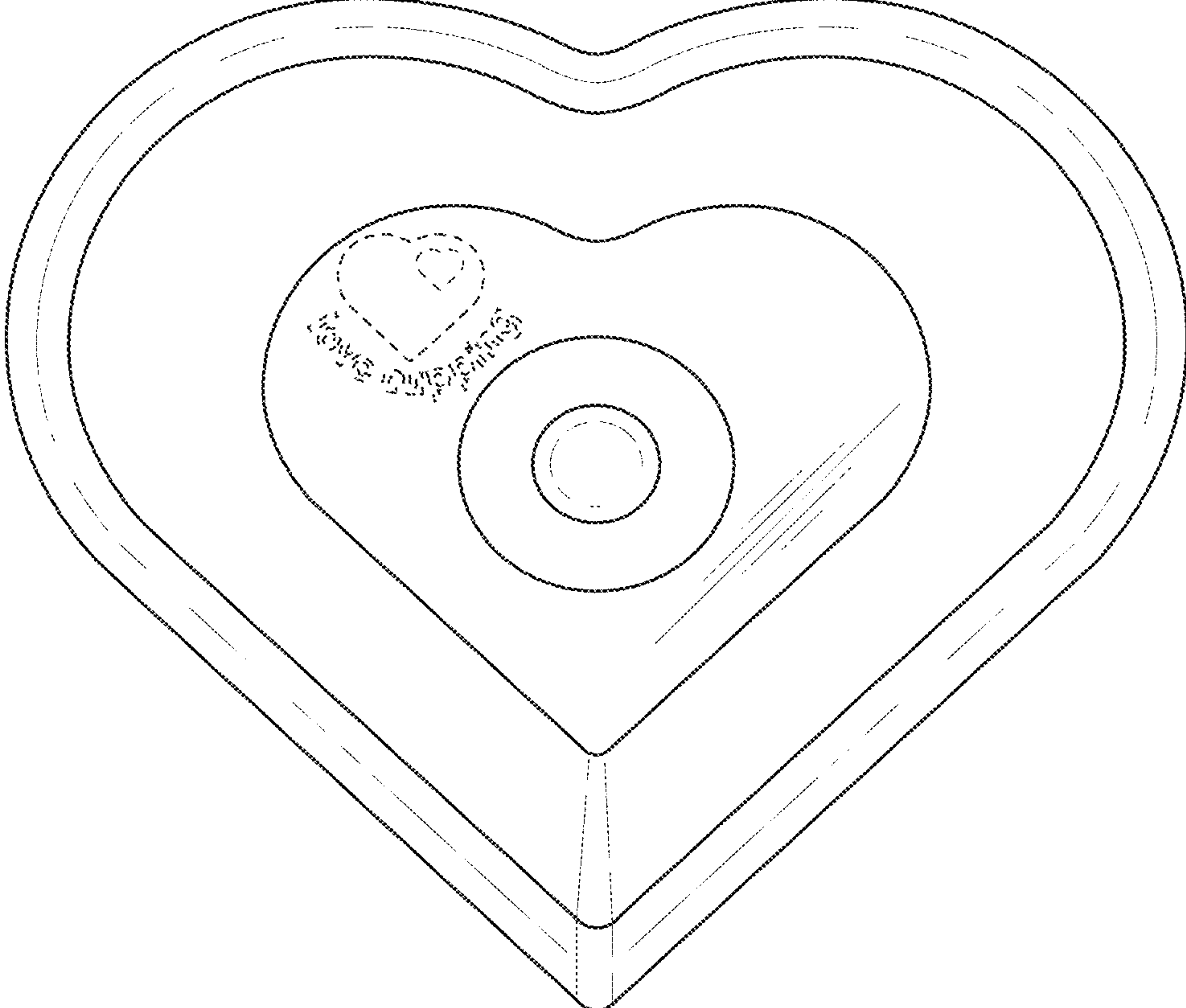


FIG. 5

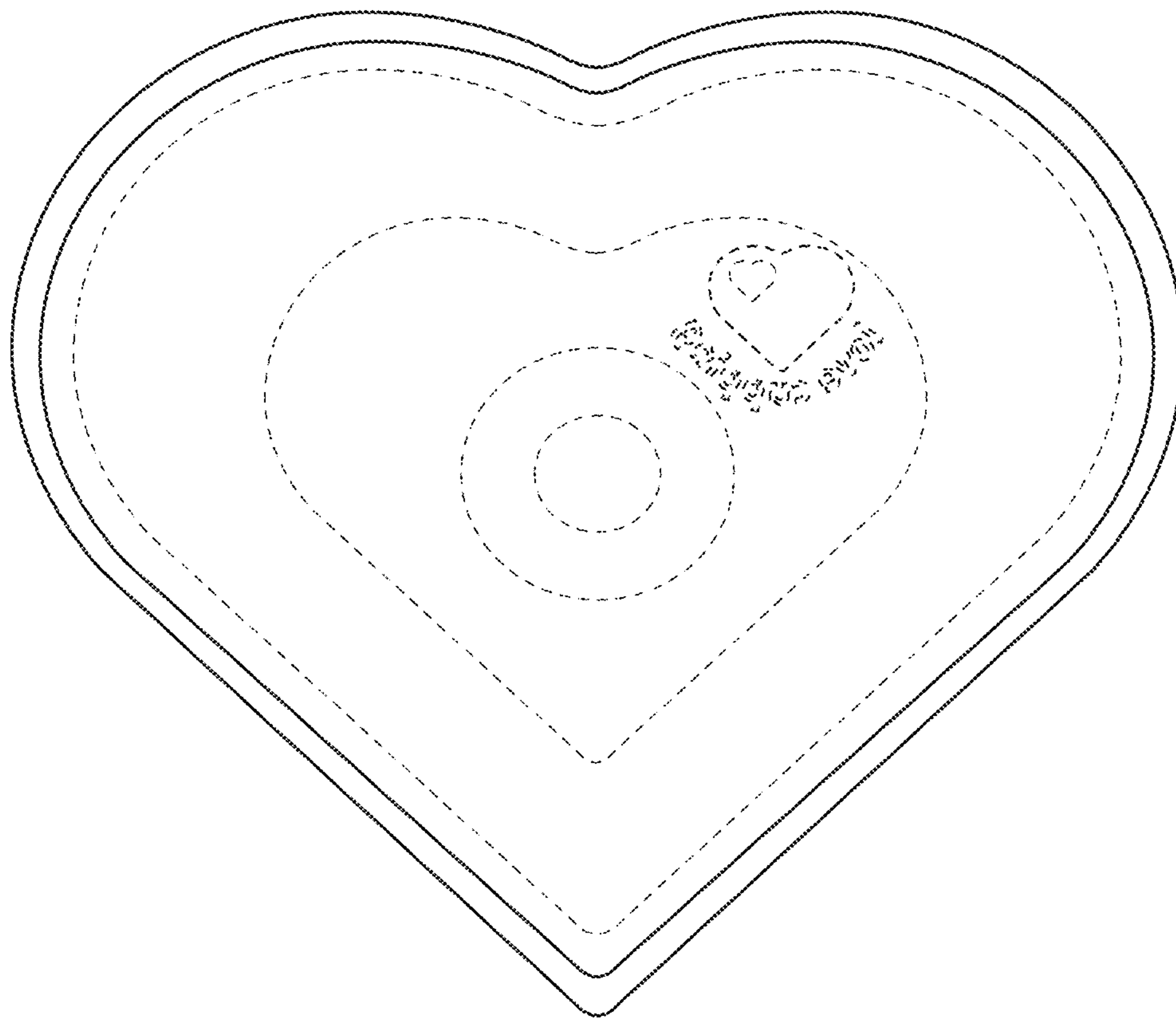


FIG. 6

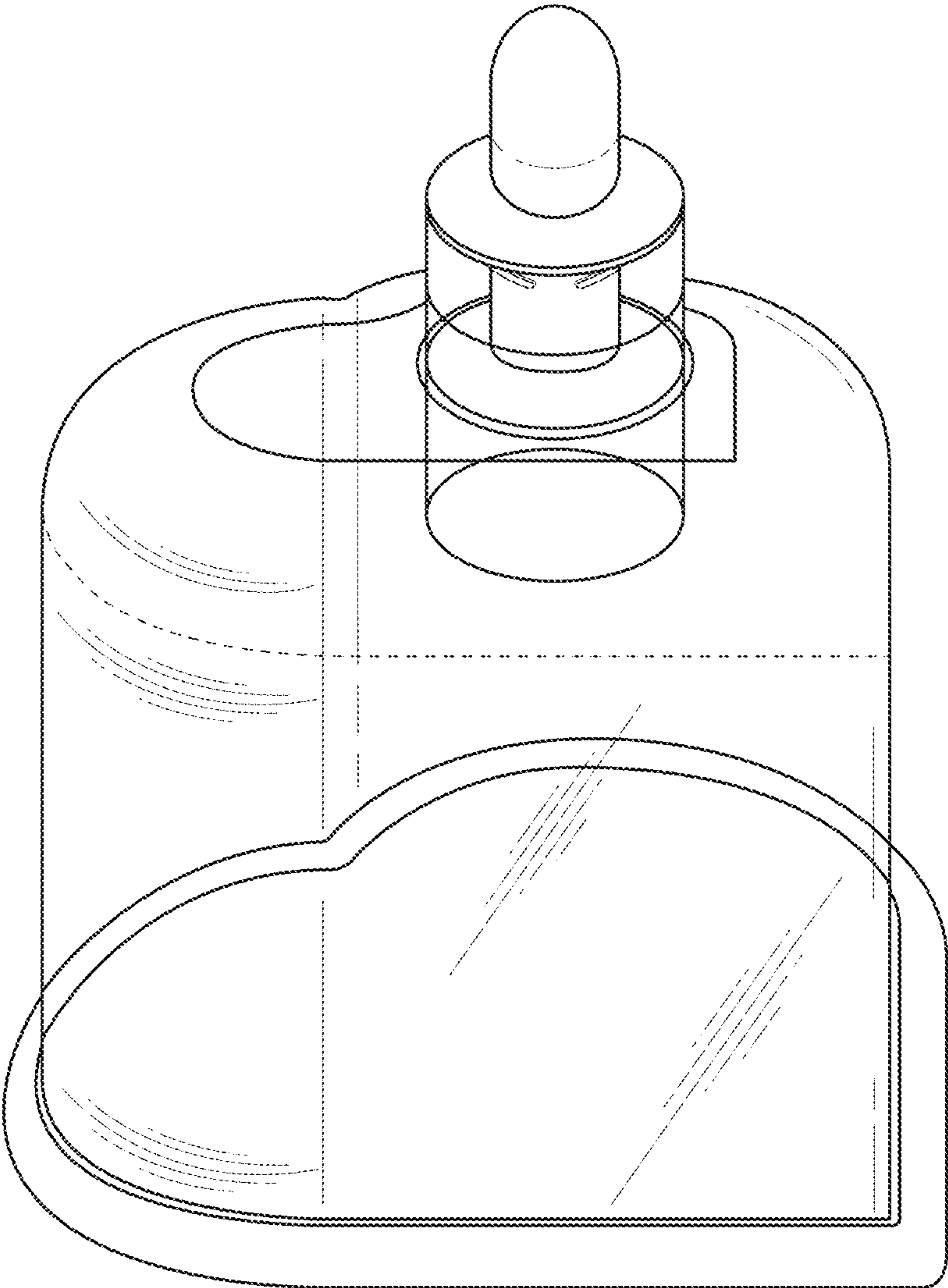


FIG. 7