



US00D942023S

(12) **United States Design Patent**  
**Park et al.**

(10) **Patent No.:** **US D942,023 S**  
(45) **Date of Patent:** **\*\* Jan. 25, 2022**

(54) **HAND REHABILITATION TRAINING APPARATUS**

(71) Applicant: **NEOFECT CO., LTD.**, Seongnam-si (KR)

(72) Inventors: **Byeong Geol Park**, Icheon-si (KR);  
**Sung Jun Roh**, Seoul (KR)

(73) Assignee: **NEOFECT CO., LTD.**, Seongnam-si (KR)

(\*\*) Term: **15 Years**

(21) Appl. No.: **29/710,202**

(22) Filed: **Oct. 21, 2019**

(51) **LOC (13) Cl.** ..... **24-04**

(52) **U.S. Cl.**  
USPC ..... **D24/188**; D24/190

(58) **Field of Classification Search**  
USPC ..... D24/188–190, 199, 200, 206, 212–215,  
D24/171; D29/100; D21/671, 686–688  
CPC ..... A63B 21/4037; A63B 21/0442; A63B  
21/0557; A63B 21/4011; A63B 21/0414;  
A63B 23/0405; A63B 23/1245; A63B  
23/1281; A63B 23/03508; A61F 5/013;  
A61H 1/0288  
See application file for complete search history.

(56) **References Cited**

**U.S. PATENT DOCUMENTS**

1,733,933	A *	10/1929	Beltz	.....	A61F 5/50 128/880
5,447,490	A *	9/1995	Fula	.....	A63B 21/0004 482/124
D436,148	S *	1/2001	Villepigue	.....	D21/684
D445,995	S *	8/2001	Stanley	.....	D2/614
D452,739	S *	1/2002	Reina	.....	D24/190
7,621,883	B2 *	11/2009	Duren	.....	F16G 11/108 128/878

D619,306	S *	7/2010	Yang	.....	D29/113
D634,481	S *	3/2011	Davis	.....	D29/117.1
D635,877	S *	4/2011	Salnave	.....	D11/2
D652,993	S *	1/2012	Long, III	.....	D29/113
8,932,240	B2 *	1/2015	Kaiser	.....	A61H 1/0285 601/5
8,998,831	B2 *	4/2015	Sankai	.....	A61H 1/0285 601/40
9,198,793	B2 *	12/2015	Bonutti	.....	A61H 1/0288
9,370,430	B2 *	6/2016	Macduff	.....	A61F 2/4241
9,375,382	B2 *	6/2016	Fausti	.....	A63B 23/16
9,387,110	B2 *	7/2016	Kelly	.....	A61F 5/0118

(Continued)

*Primary Examiner* — T Chase Nelson  
*Assistant Examiner* — Kelly L Gross  
(74) *Attorney, Agent, or Firm* — Revolution IP, PLLC

(57) **CLAIM**

The ornamental design for a hand rehabilitation training apparatus, as shown and described.

**DESCRIPTION**

FIG. 1 is a front perspective view of a hand rehabilitation training apparatus showing the claimed design;  
FIG. 2 is a front view thereof;  
FIG. 3 is a rear view thereof;  
FIG. 4 is a left side view thereof;  
FIG. 5 is a right side view thereof;  
FIG. 6 is a top view thereof;  
FIG. 7 is a bottom view thereof;  
FIG. 8 is a rear perspective view thereof;  
FIG. 9 is a reference view showing use state thereof; and,  
FIG. 10 is another reference view showing use state thereof.  
The broken lines in FIG. 9 and FIG. 10 are for illustrative purposes only and show environment associated with the hand rehabilitation training apparatus in a condition of use. The broken lines and environment they depict form no part of the claimed design.

**1 Claim, 10 Drawing Sheets**

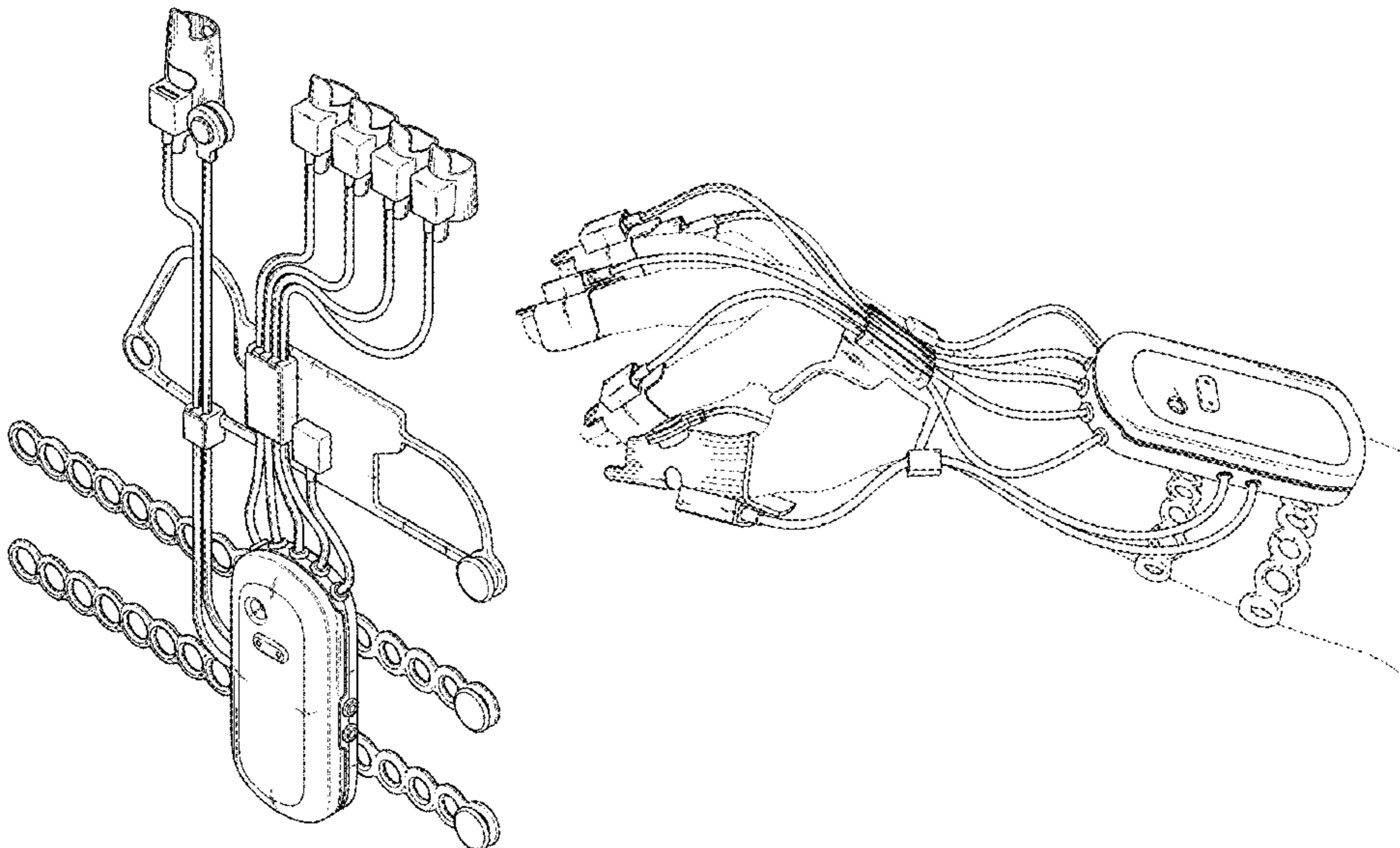






FIG. 1

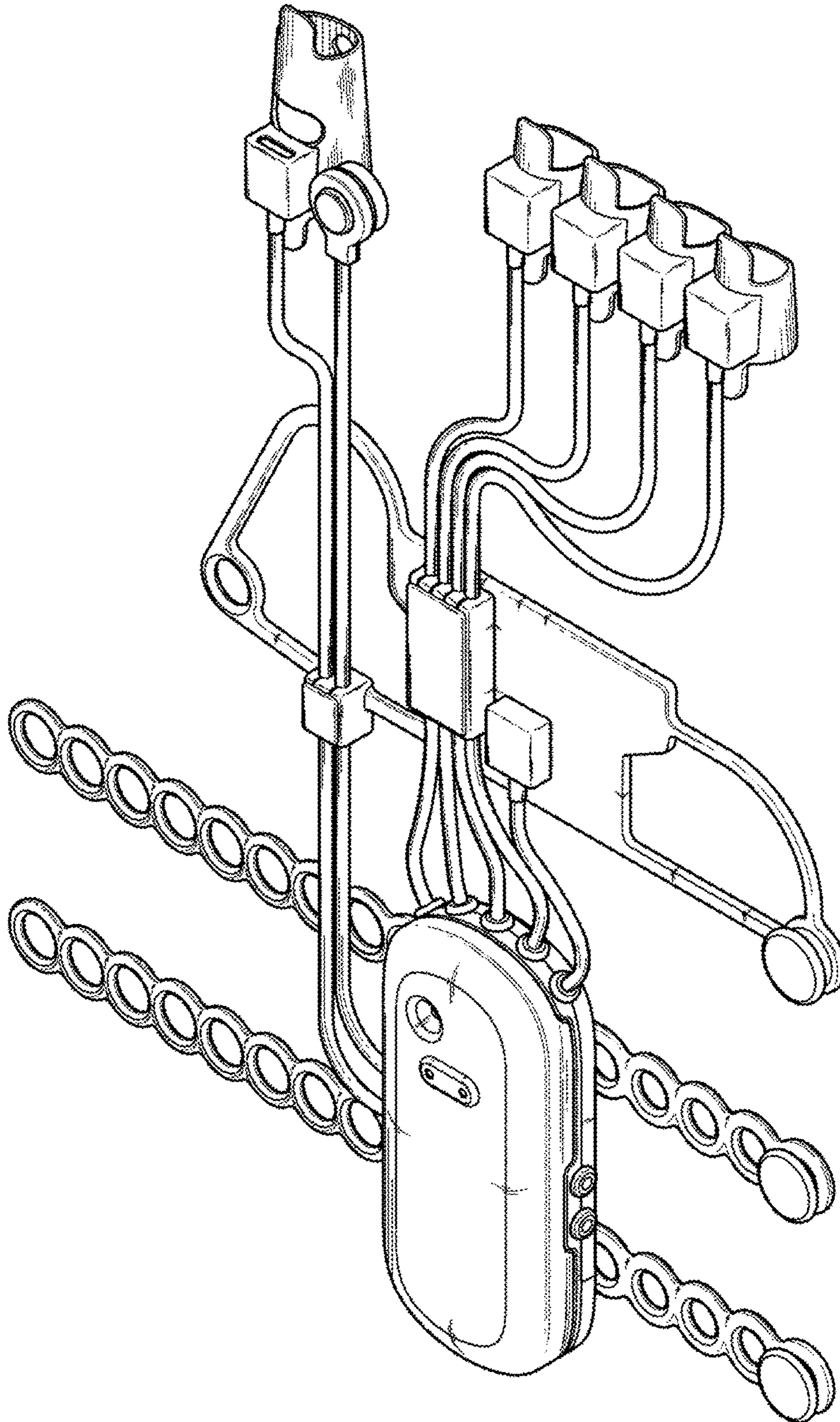


FIG. 2

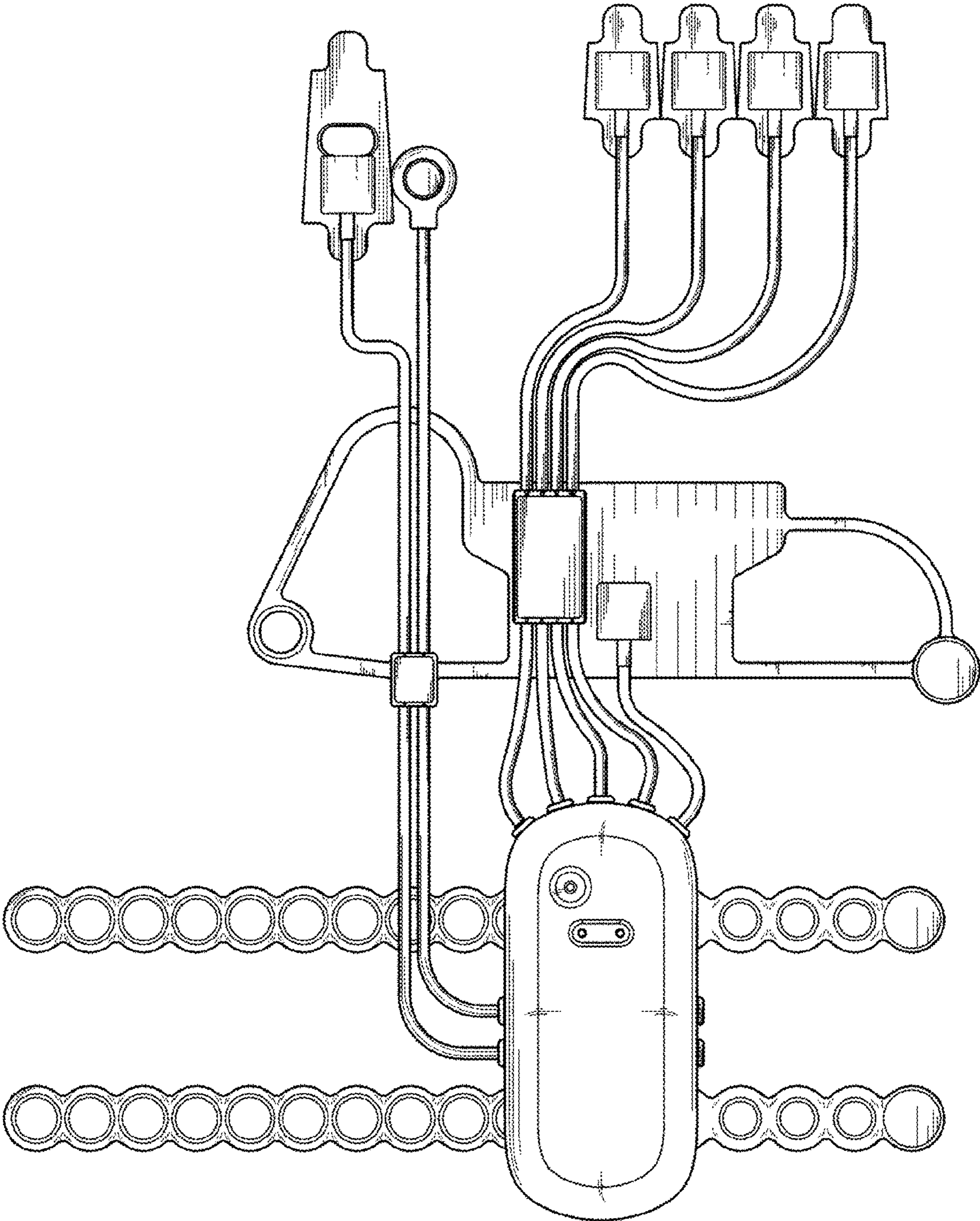




FIG. 3

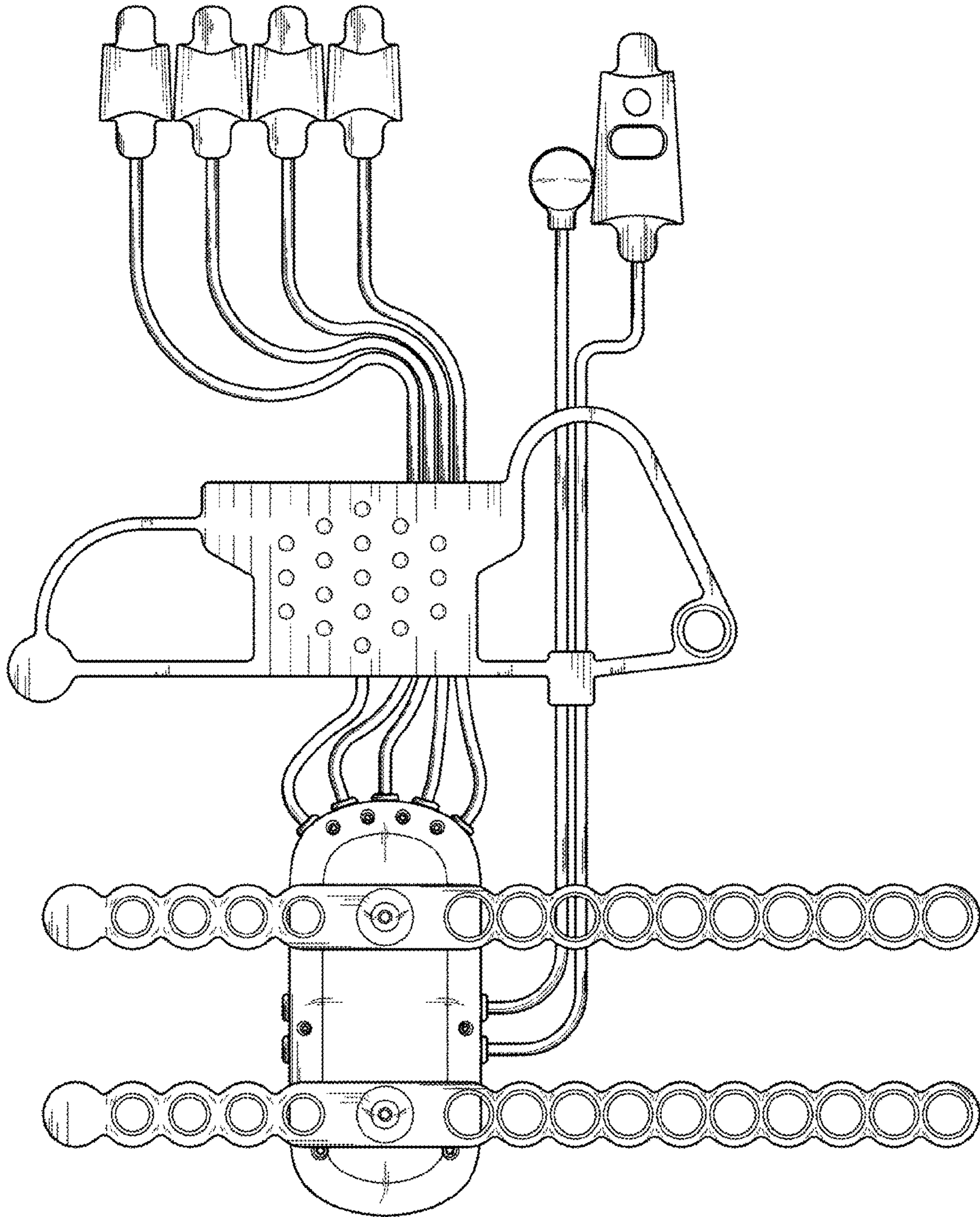


FIG. 4

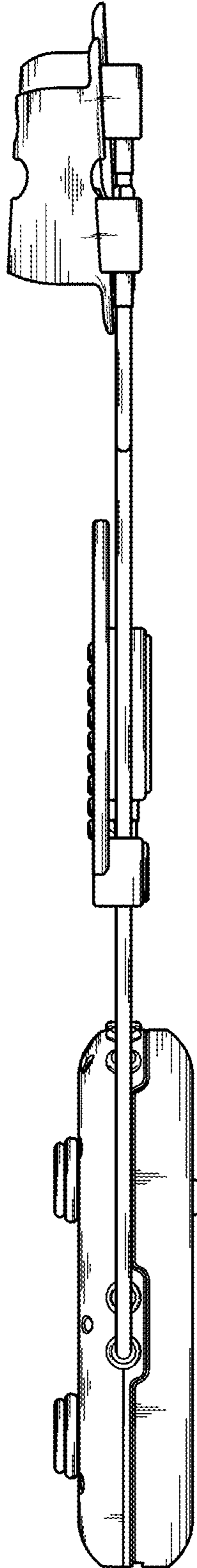


FIG. 5

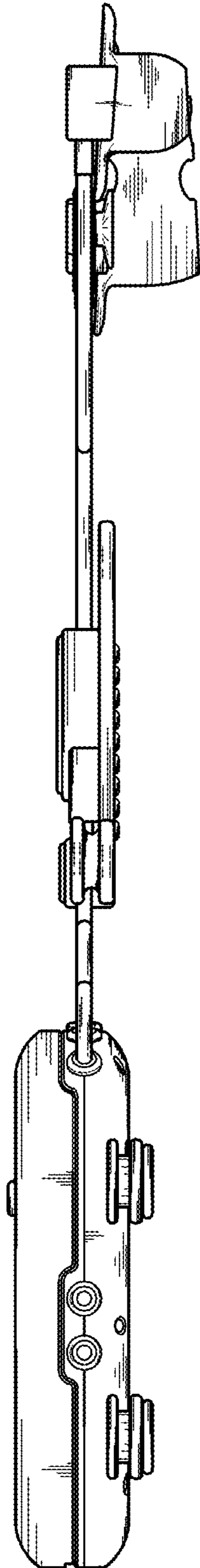


FIG. 6

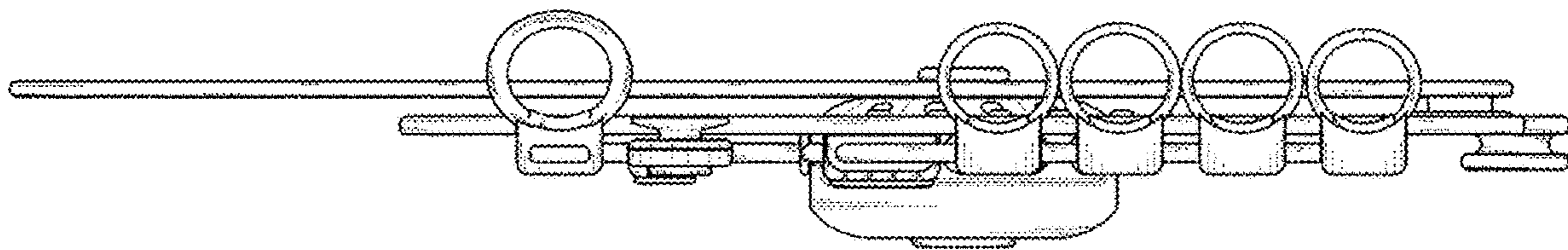




FIG. 7

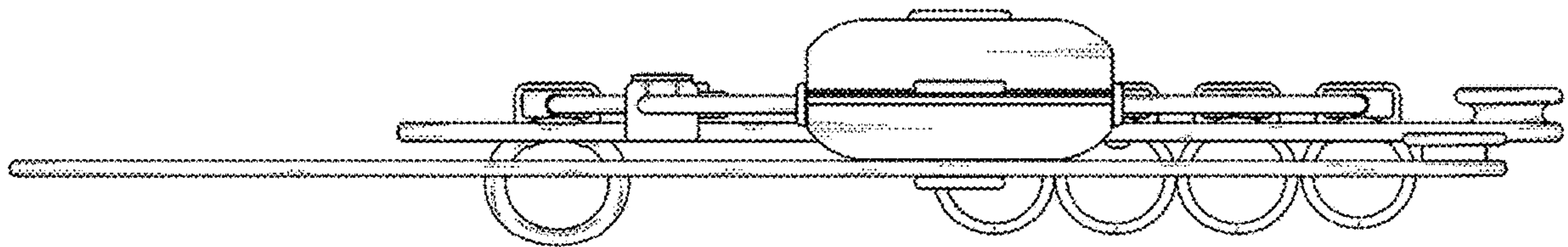


FIG. 8

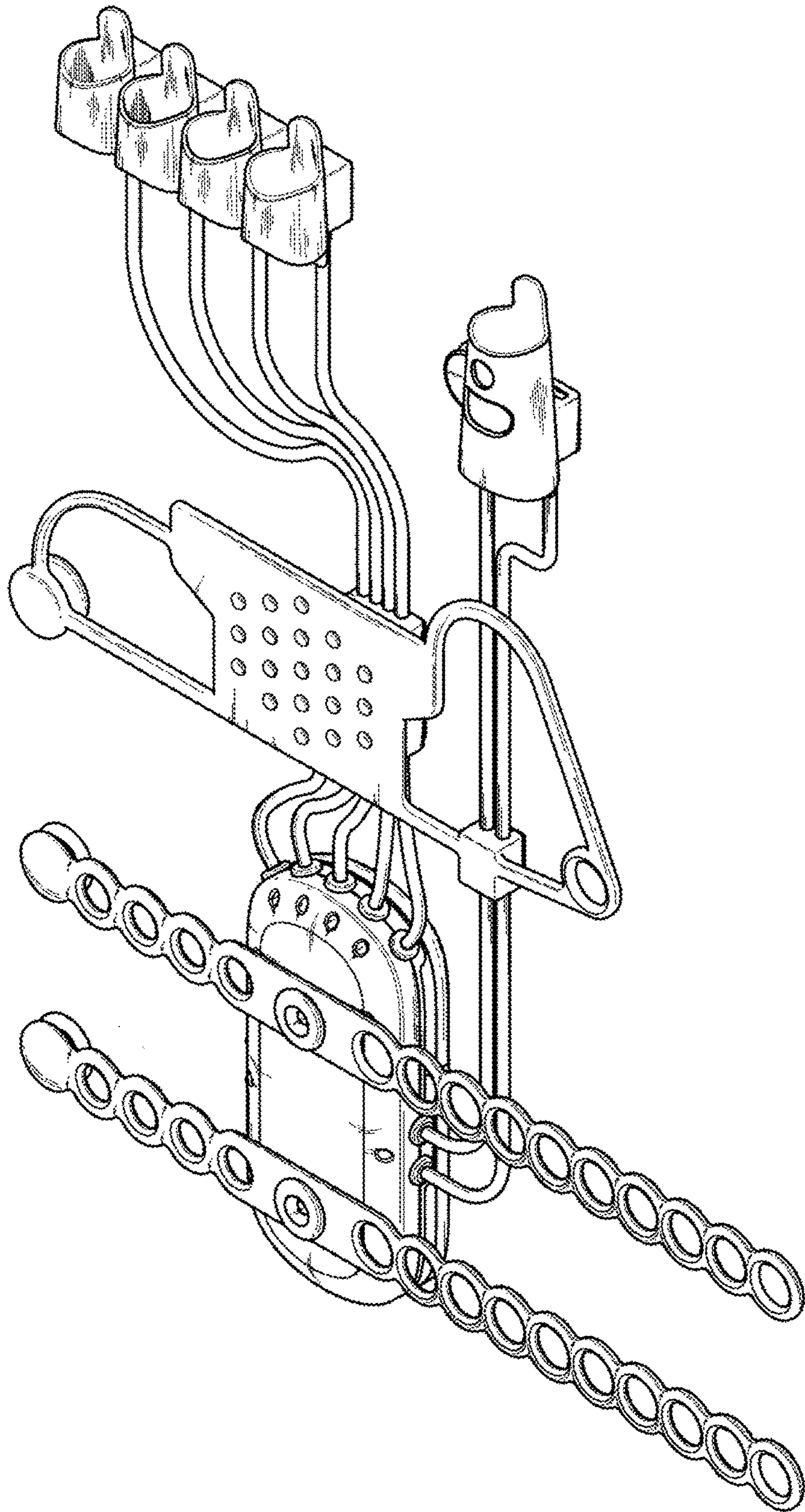


FIG. 9

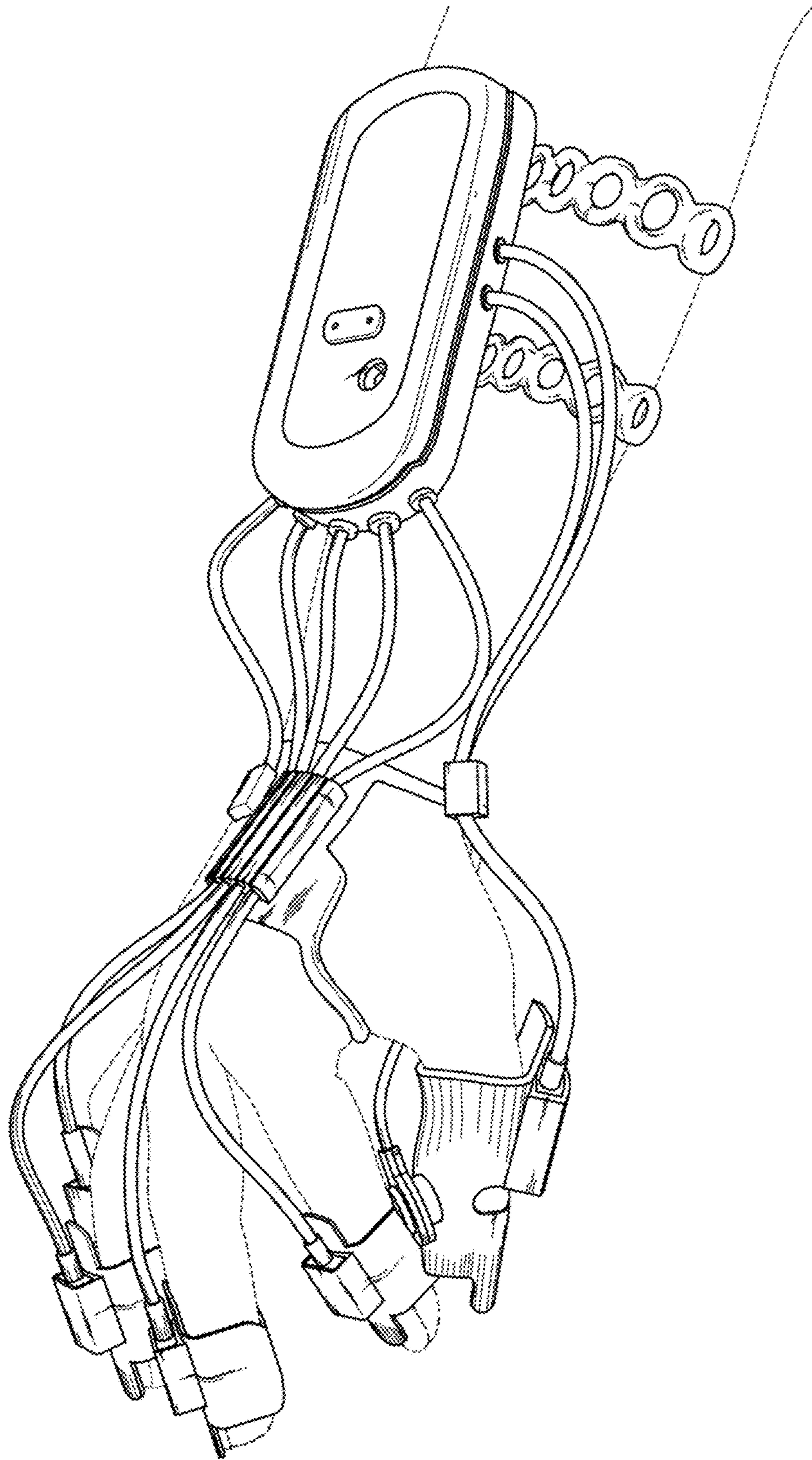




FIG. 10

